



US00D385787S

United States Patent [19]

[11] Patent Number: **Des. 385,787**

Takano et al.

[45] Date of Patent: ****Nov. 4, 1997**

[54] CONTAINER FOR A SALMON ROE

D. 303,765	10/1989	Kaplan	D9/423
2,024,227	12/1935	Jones	220/281
3,381,850	5/1968	Haugen	220/281

[75] Inventors: **Yasushi Takano, Gunma; Teruo Suzuki, Hokkaido, both of Japan**

OTHER PUBLICATIONS

[73] Assignee: **Nichiei Plastics Trading Co., Ltd., Saitama, Japan**

Packaging Catalog, 1935 edition, p. 219 package.

[**] Term: **14 Years**

Primary Examiner—Prabhakar G. Deshmukh
Assistant Examiner—Nanda Bondade
Attorney, Agent, or Firm—Sughrue, Mion, Zinn, Macpeak & Seas

[21] Appl. No.: **58,934**

[22] Filed: **Aug. 28, 1996**

[57] CLAIM

[30] Foreign Application Priority Data

Mar. 5, 1996 [JP] Japan 8-5744

The ornamental design for a container for salmon roe, as shown.

[51] LOC (6) Cl. **09-07**

DESCRIPTION

[52] U.S. Cl. **D9/432; D9/423**

FIG. 1 is a perspective view of the top, front and left side of a container for salmon roe showing our new design;
FIG. 2 is a left side elevational view thereof;
FIG. 3 is a right side elevational view thereof;
FIG. 4 is a front elevational view thereof;
FIG. 5 is a rear elevational view thereof;
FIG. 6 is a top plan view thereof; and,
FIG. 7 is a bottom plan view thereof.

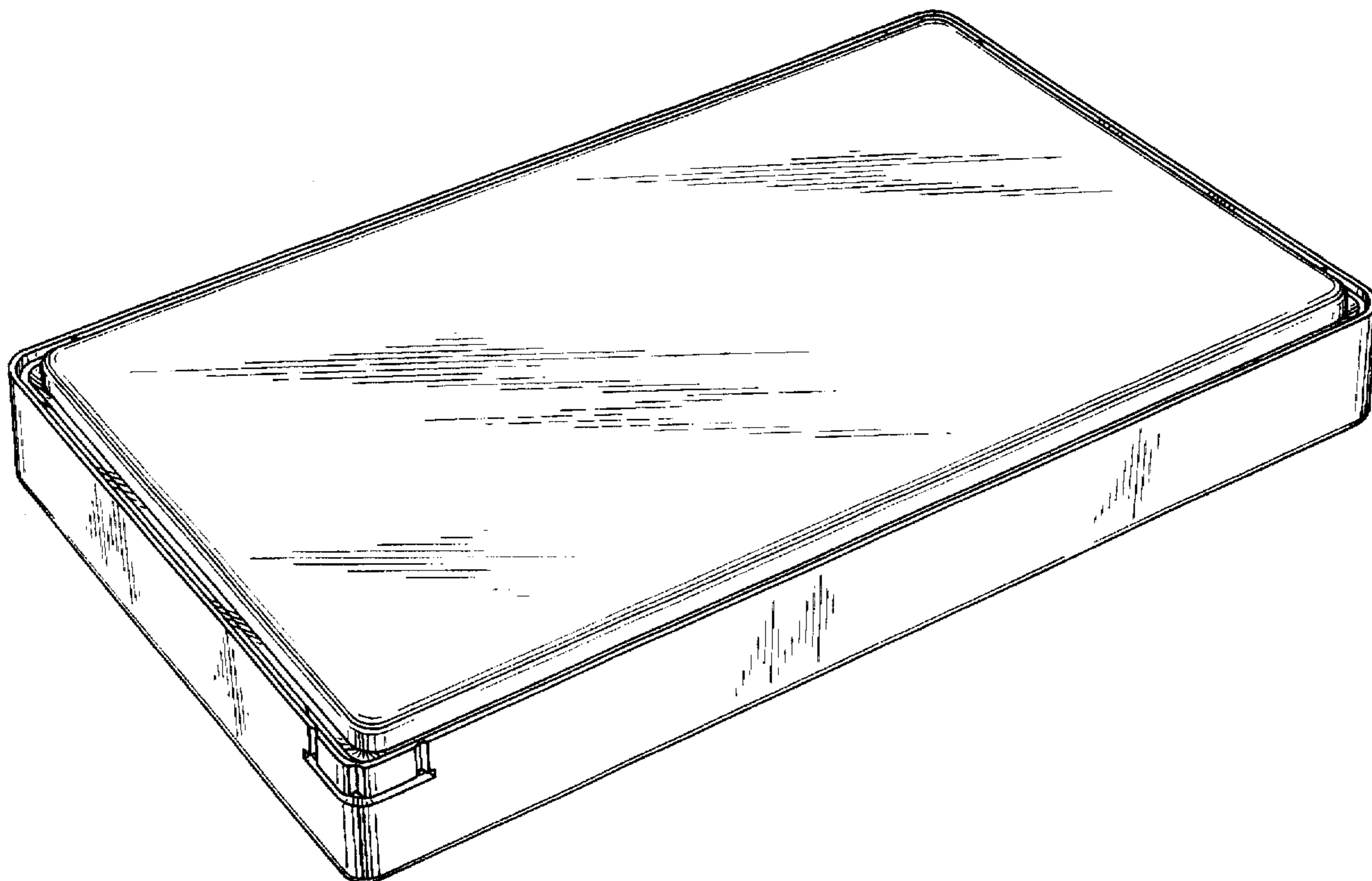
[58] Field of Search D9/414, 420-424, D9/432; 220/281, 284; 426/106, 129; 206/6.1, 216, 541, 566, 823, 828

[56] References Cited

U.S. PATENT DOCUMENTS

D. 221,626	8/1971	Fine	D9/423
D. 278,207	4/1985	McLaughlin	D9/432 X

1 Claim, 4 Drawing Sheets



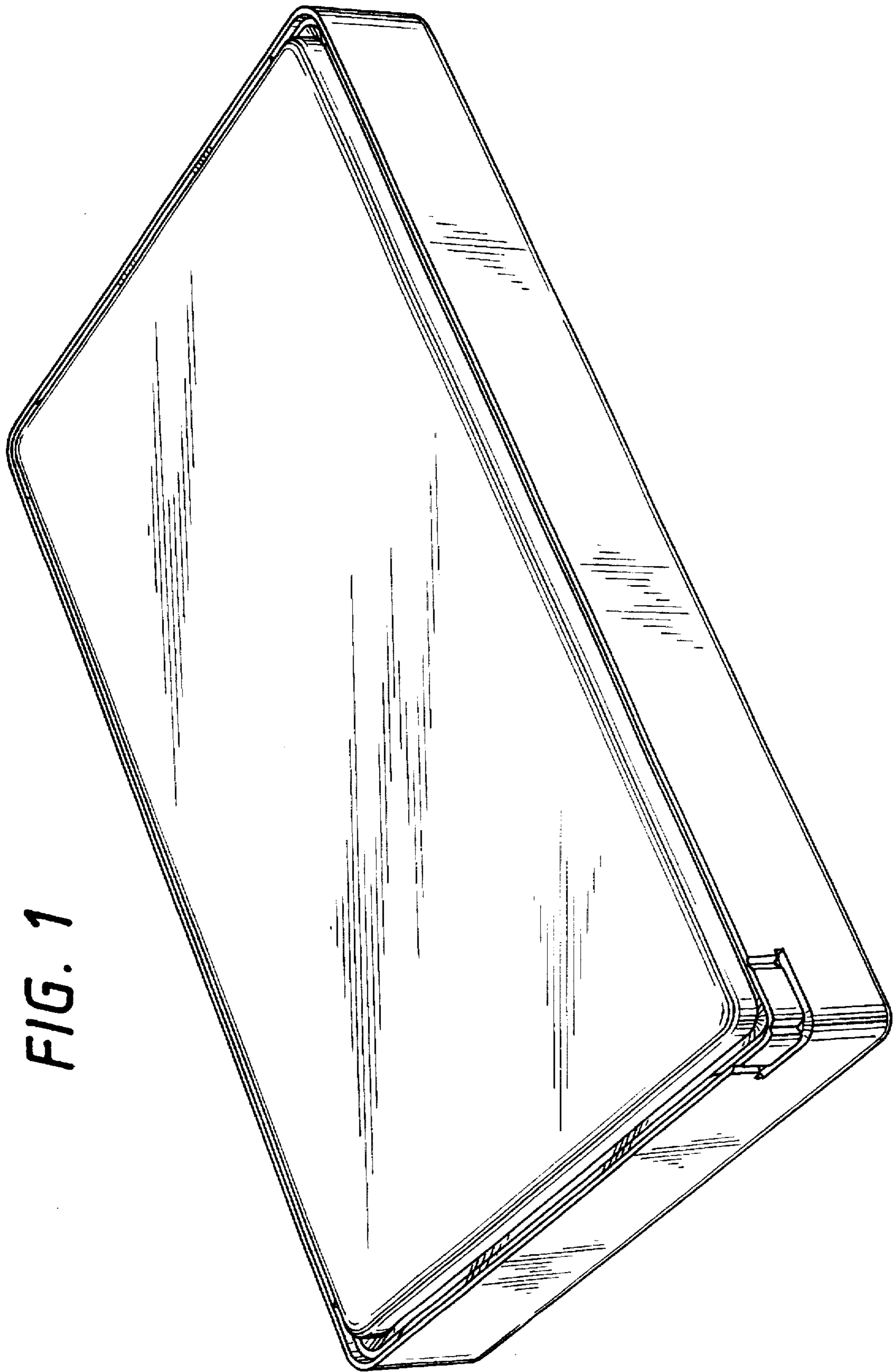


FIG. 1

FIG. 2

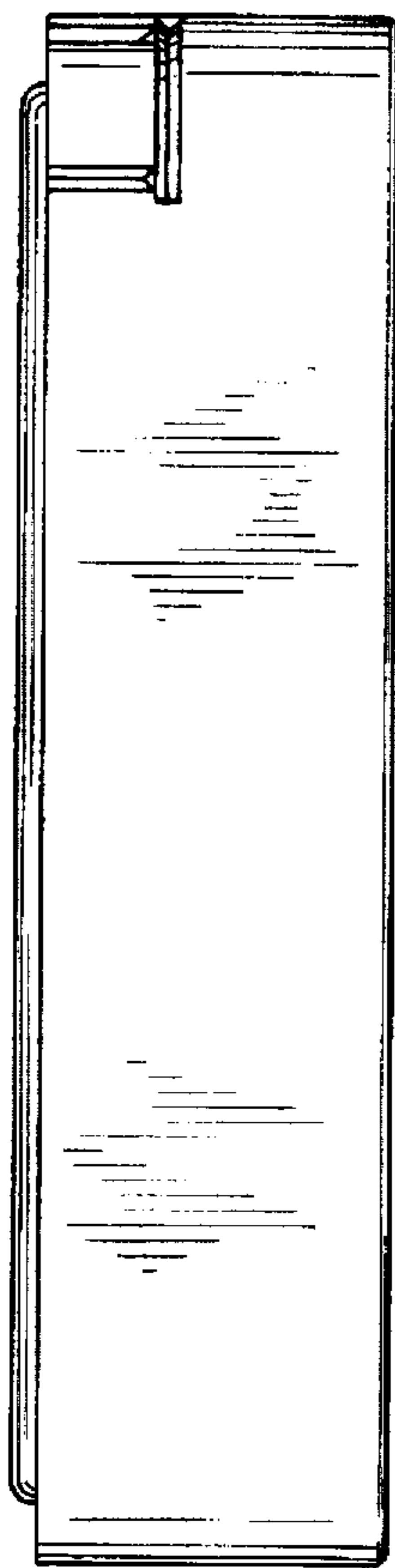


FIG. 3

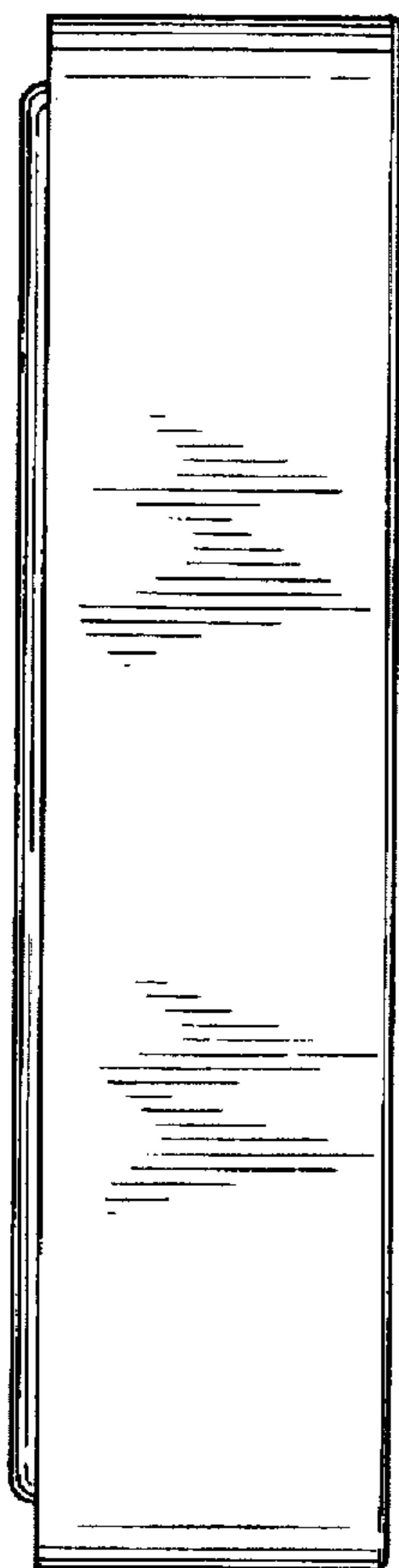


FIG. 4

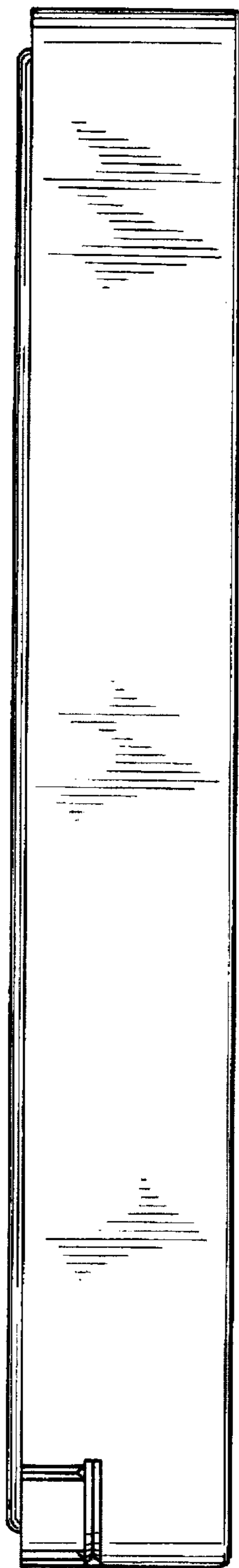


FIG. 5

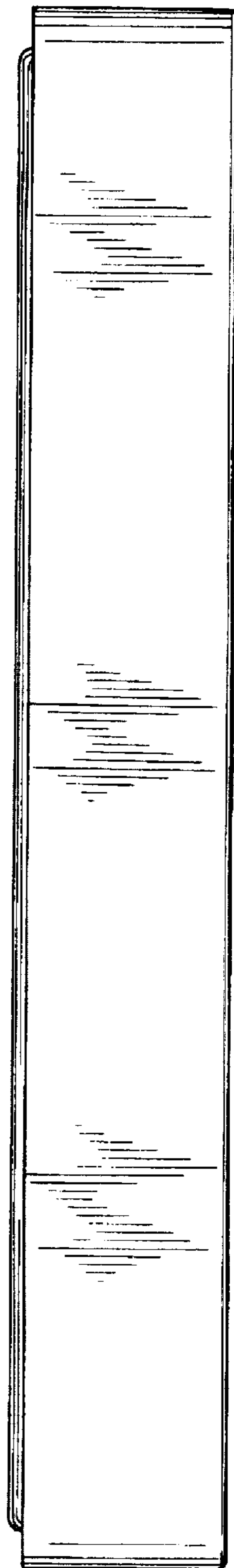


FIG. 6

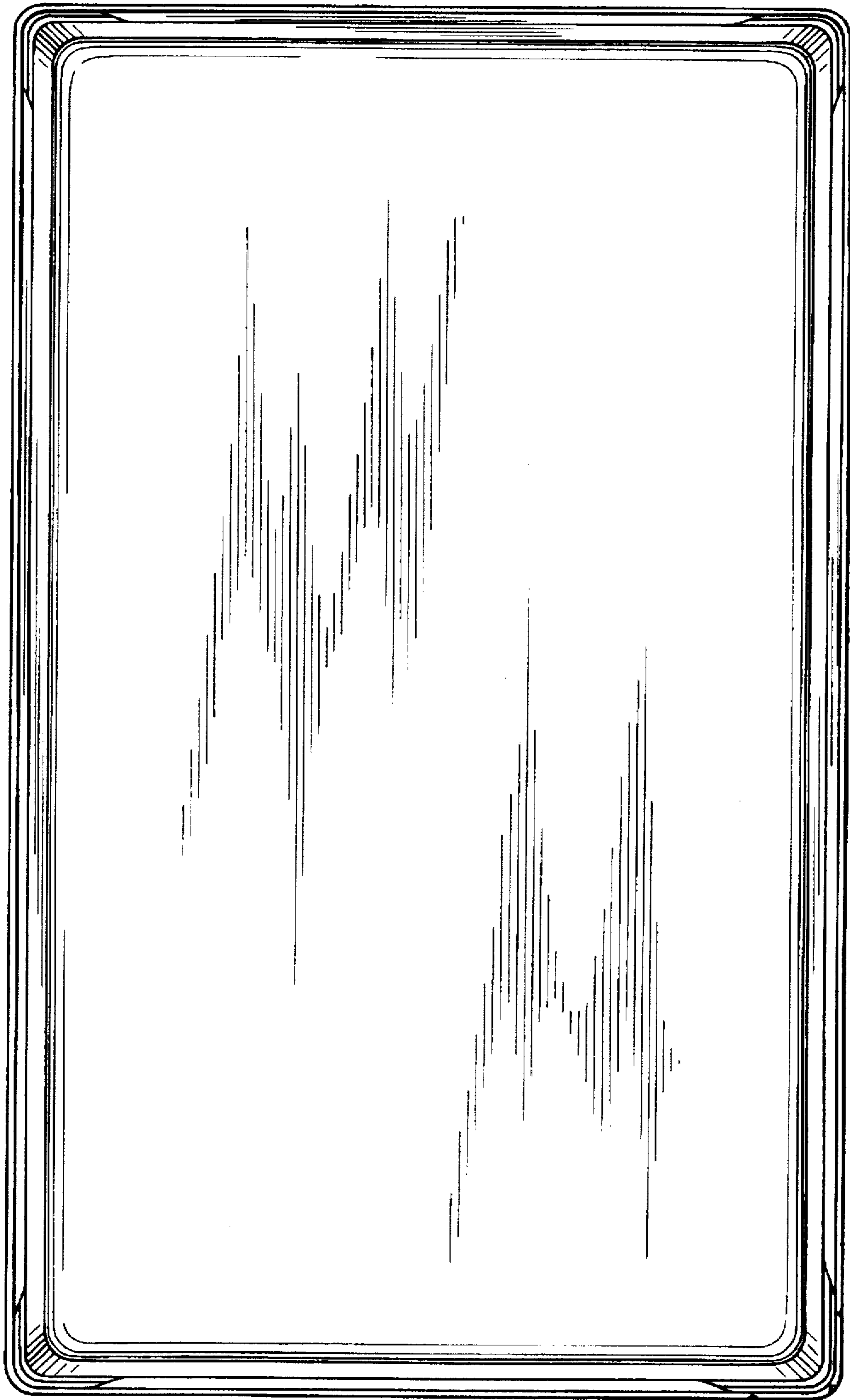


FIG. 7

