



US00D385786S

# United States Patent [19]

Veesser

[11] Patent Number: **Des. 385,786**

[45] Date of Patent: **\*\*Nov. 4, 1997**

[54] **CD-BOX**

[75] Inventor: **Elmar Veesser**, Nickenich, Germany

[73] Assignee: **Rasselstein Hoesch GmbH**, Neuwied, Germany

[\*\*] Term: **14 Years**

[21] Appl. No.: **47,976**

[22] Filed: **Dec. 18, 1995**

[30] **Foreign Application Priority Data**

Jun. 24, 1995 [DE] Germany ..... M9504956.8

[51] LOC (6) Cl. .... **09-03**

[52] U.S. Cl. .... **D9/432**

[58] Field of Search ..... D6/407, 620, 635;  
206/308.1, 309, 313; D9/420, 423, 424,  
430, 426, 428, 432, 435; D3/201

[56] **References Cited**

**U.S. PATENT DOCUMENTS**

D. 285,144	8/1986	Roskvisk	.....	D6/632
D. 348,834	7/1994	Wardell, Jr.	.....	D9/435
3,256,975	6/1966	Puente	.....	D9/428
3,530,981	9/1970	Weinecke, Jr.	.....	206/310

*Primary Examiner*—Louis S. Zarfaz  
*Assistant Examiner*—Frank Martinez  
*Attorney, Agent, or Firm*—Flynn, Thiel, Boutell & Tanis, P.C.

[57] **CLAIM**

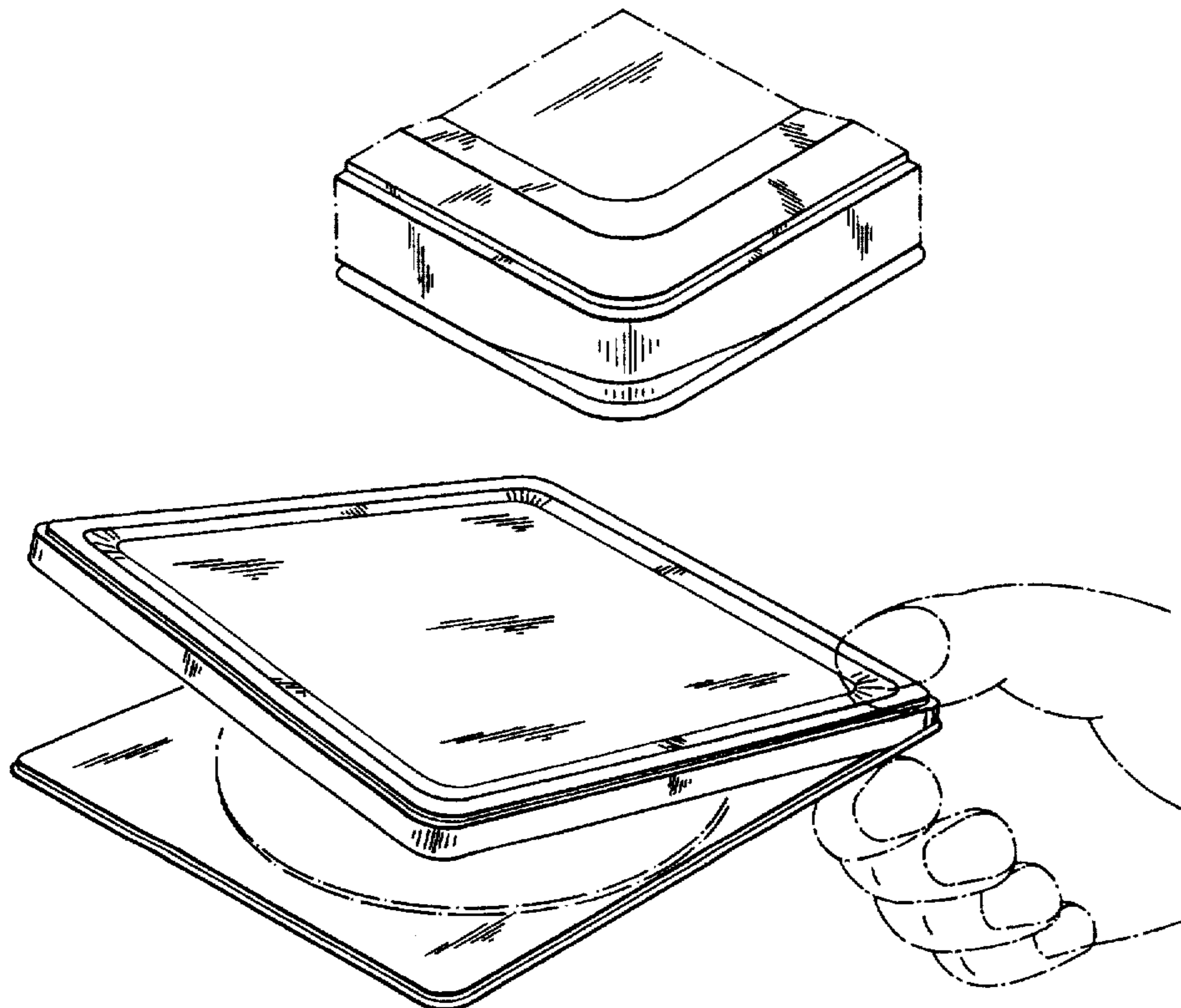
The ornamental design for a CD-Box, as shown and described.

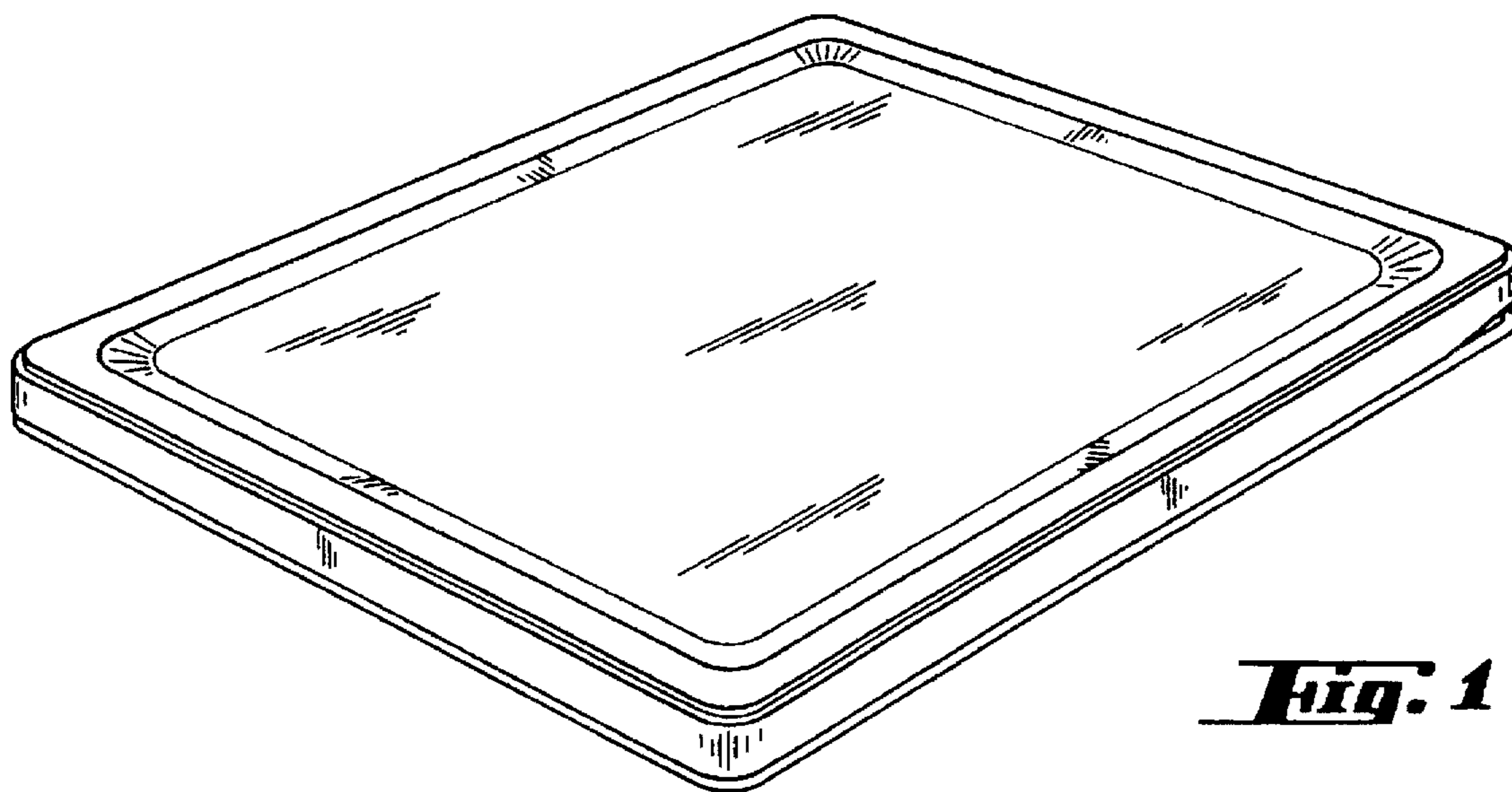
**DESCRIPTION**

FIG. 1 is a perspective view of a CD-Box showing my new design;  
 FIG. 2 is an enlarged detail of one of the corners of the CD-box;  
 FIG. 3 is a perspective view showing the CD-Box in a partially open position;  
 FIG. 4 is an exploded view of the CD-Box;  
 FIG. 5 is a perspective view thereof with a partial sectional view;  
 FIG. 6 is an enlarged sectional view of one of the corners thereof;  
 FIG. 7 is a top plan view of FIG. 1;  
 FIG. 8 is a right side elevational view thereof;  
 FIG. 9 is a front elevational view thereof;  
 FIG. 10 is a top plan view of a bottom element of the CD-box;  
 FIG. 11 is a bottom plan view of FIG. 1;  
 FIG. 12 is a left side elevational view of FIG. 7; and,  
 FIG. 13 is a rear view of FIG. 7.

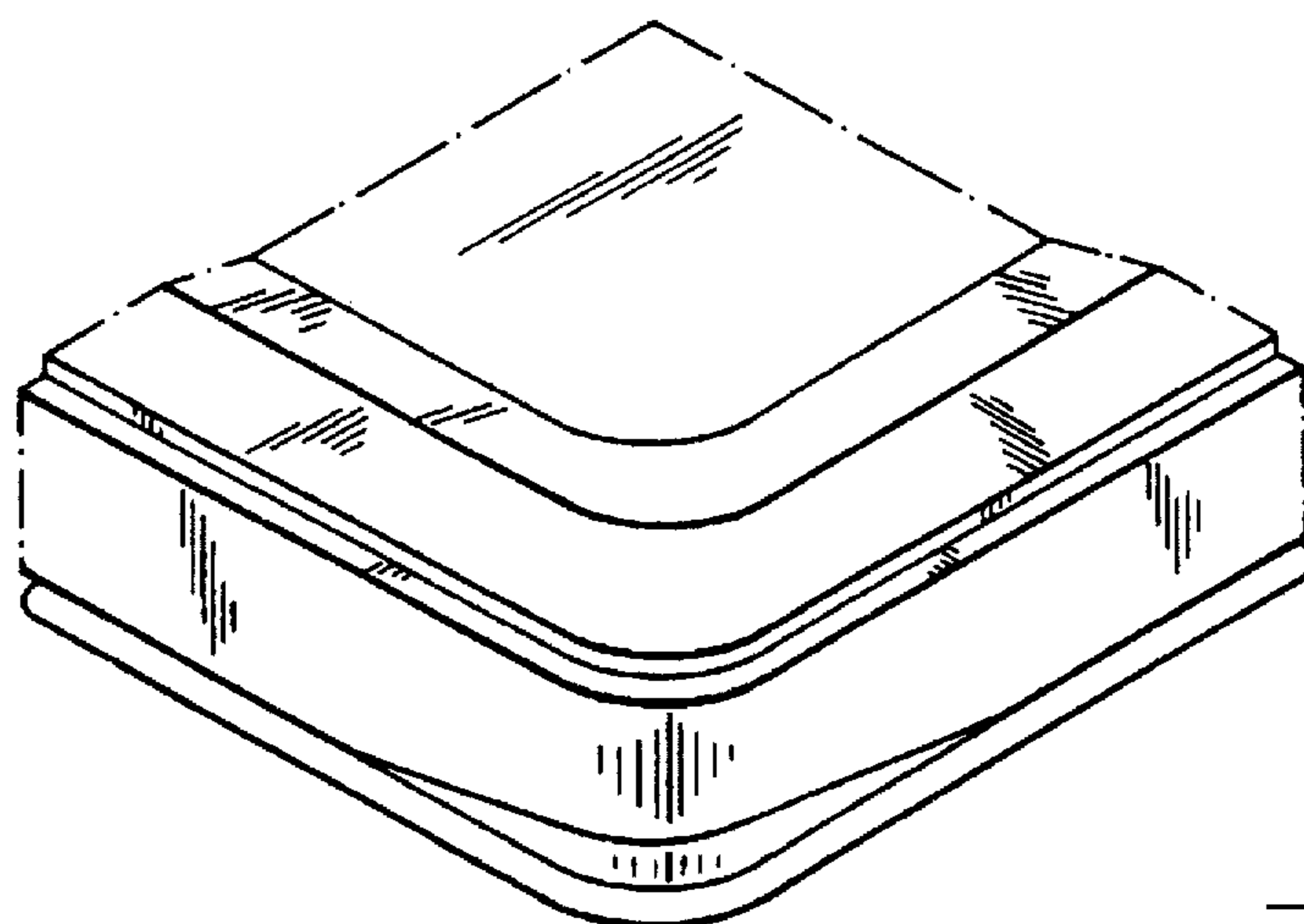
The broken line showing of the CD in FIGS. 3 and 4 and the hand in FIG. 4 is for illustrative purposes only and forms no part of the claimed design.

**1 Claim, 8 Drawing Sheets**

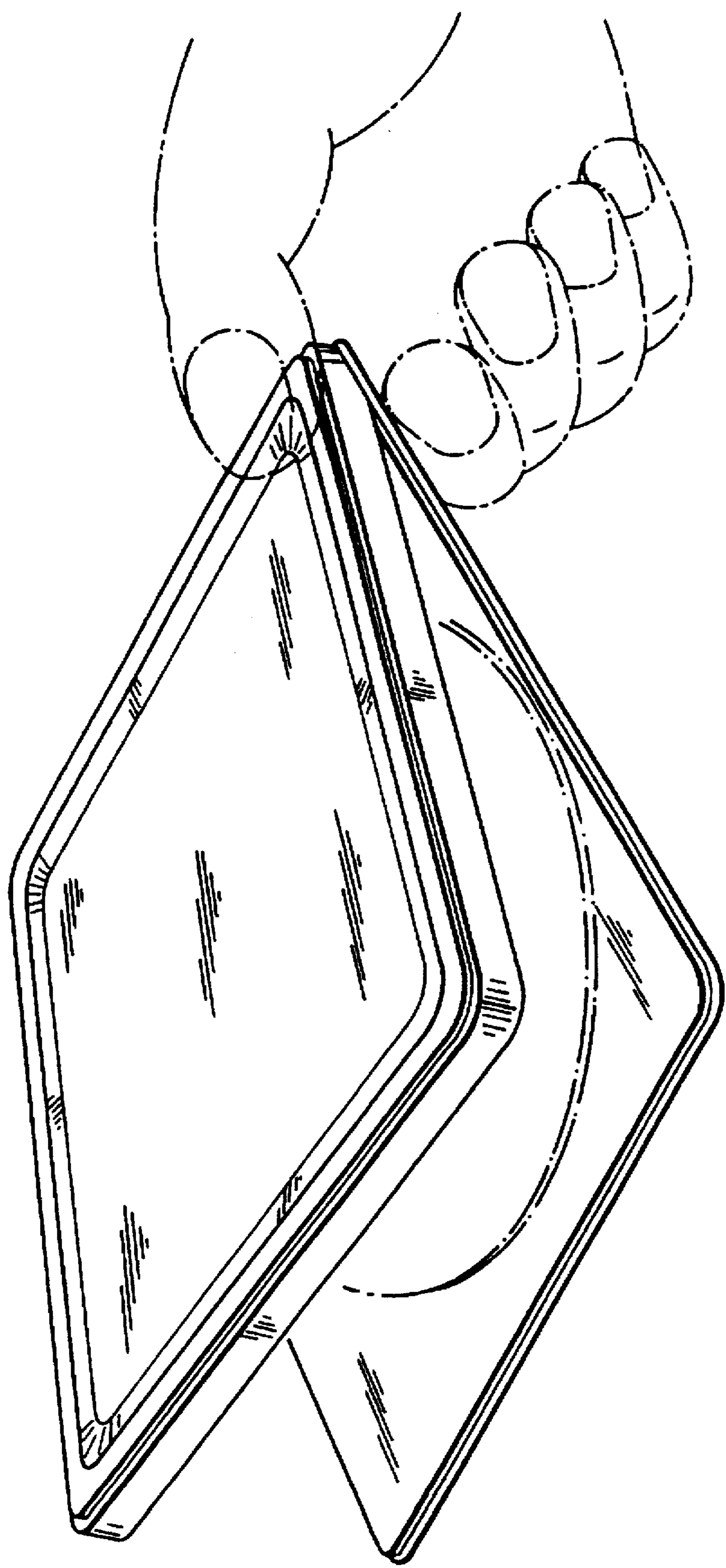




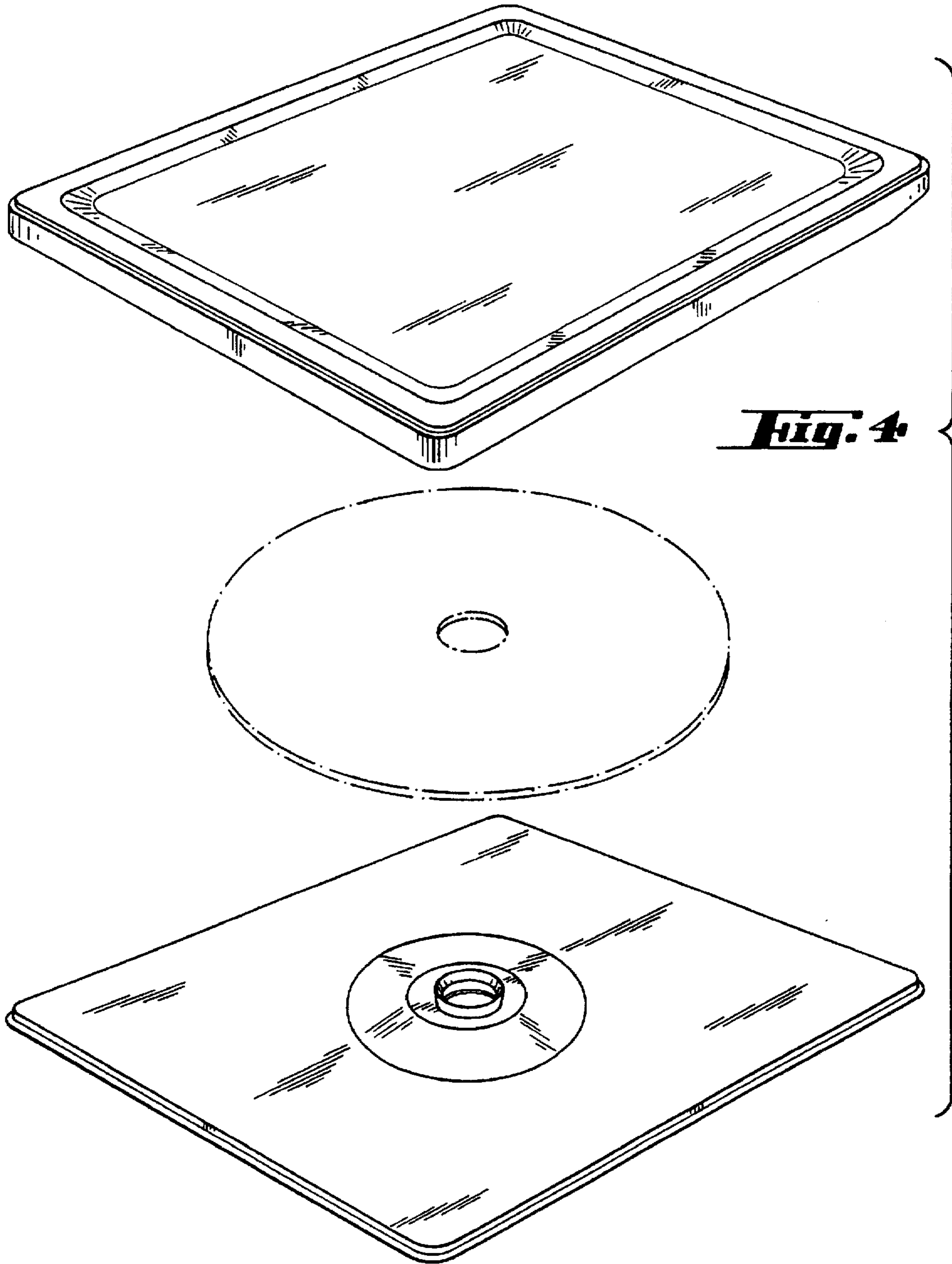
***Fig. 1***

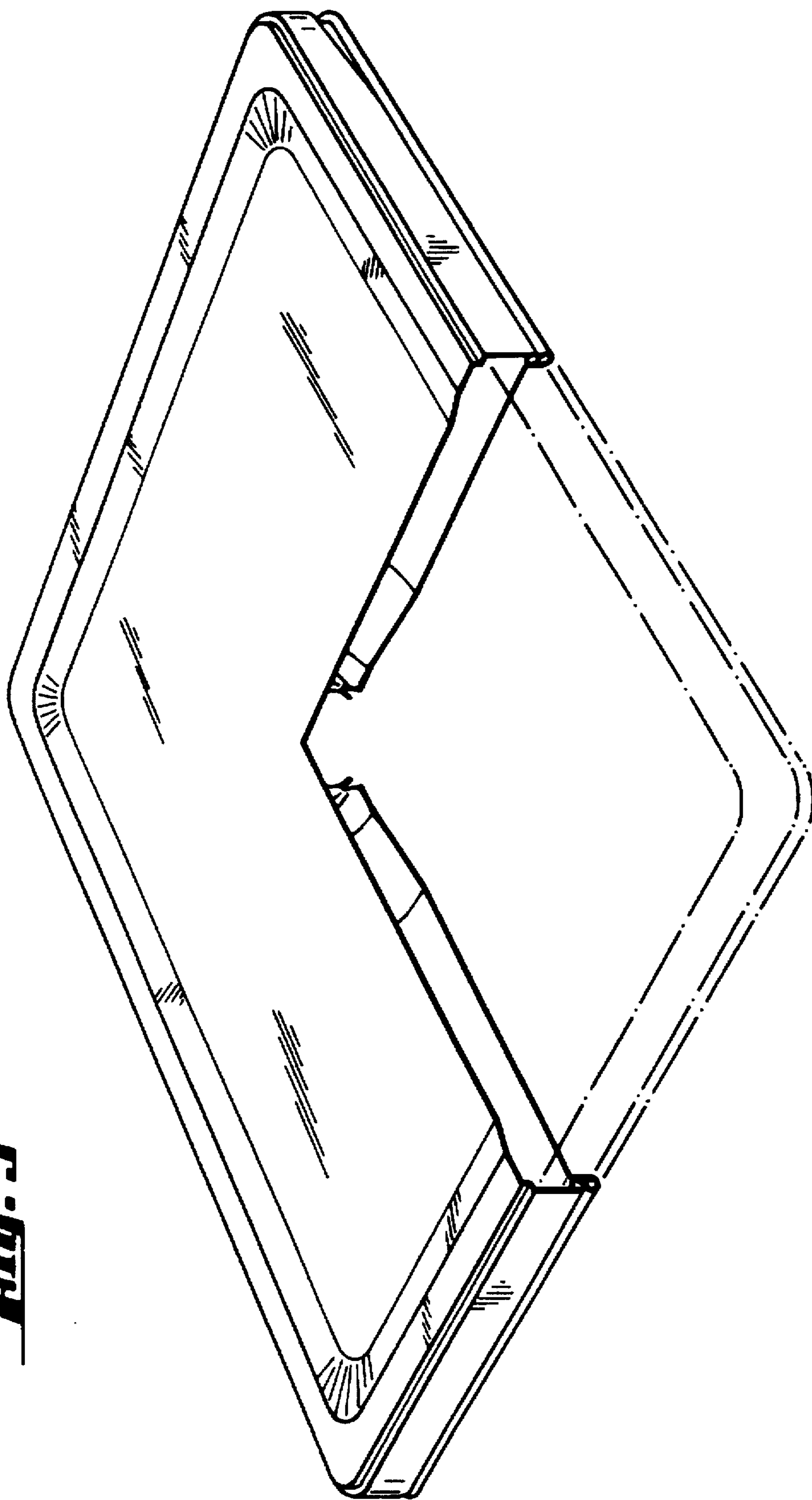


***Fig. 2***

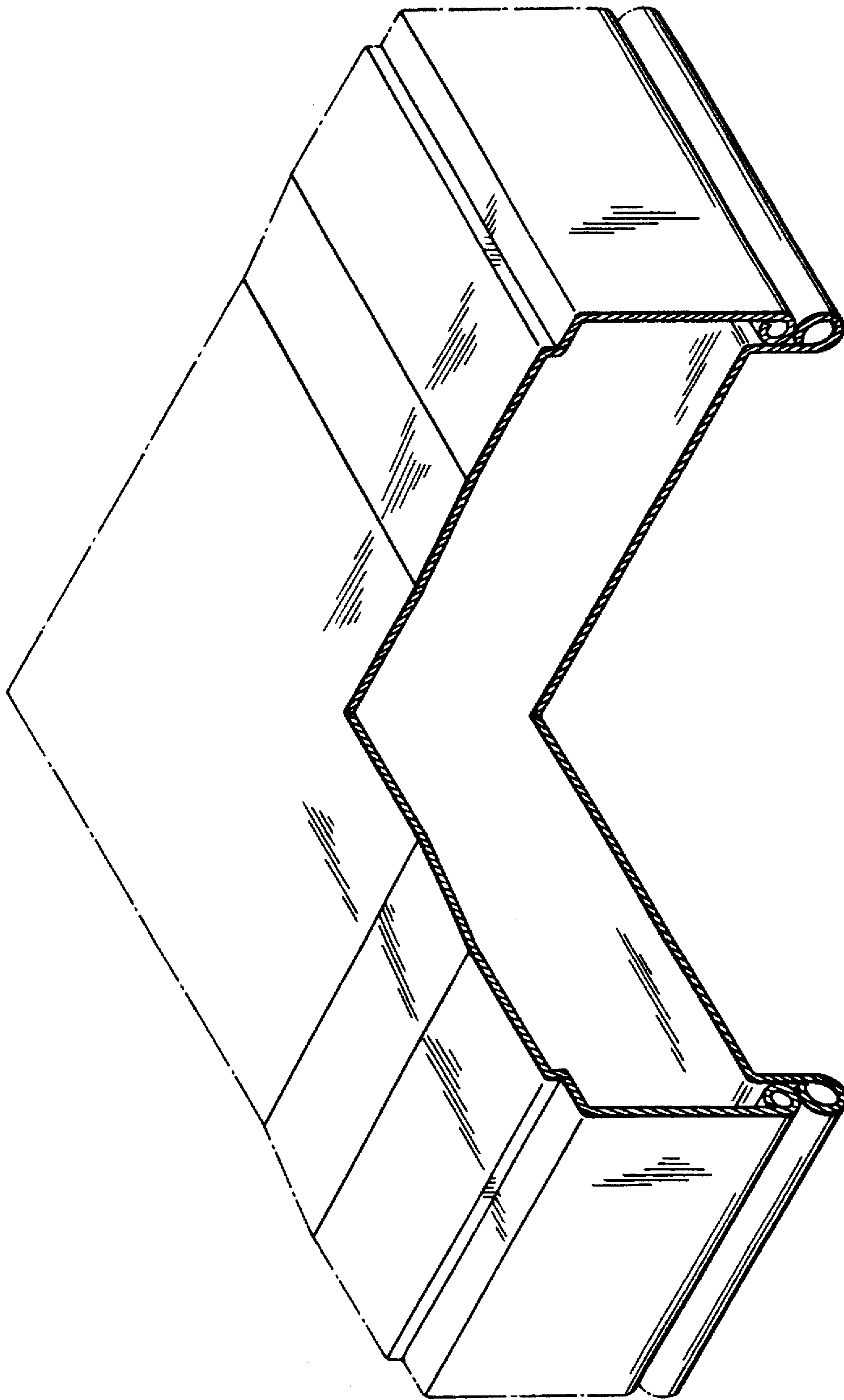


**Fig. 3**



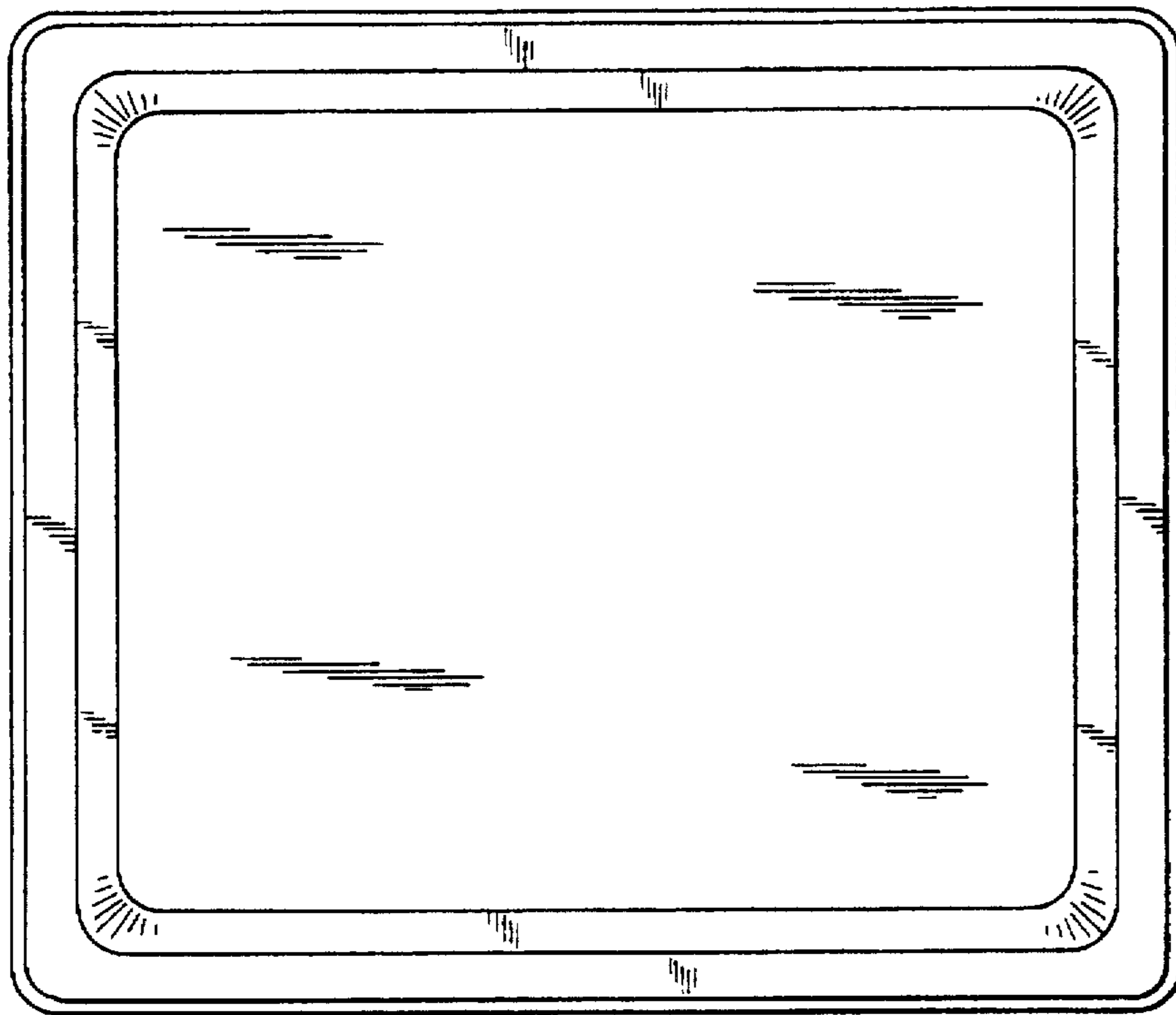


**FIG. 5**



**FIG. 6**

***Fig. 7***



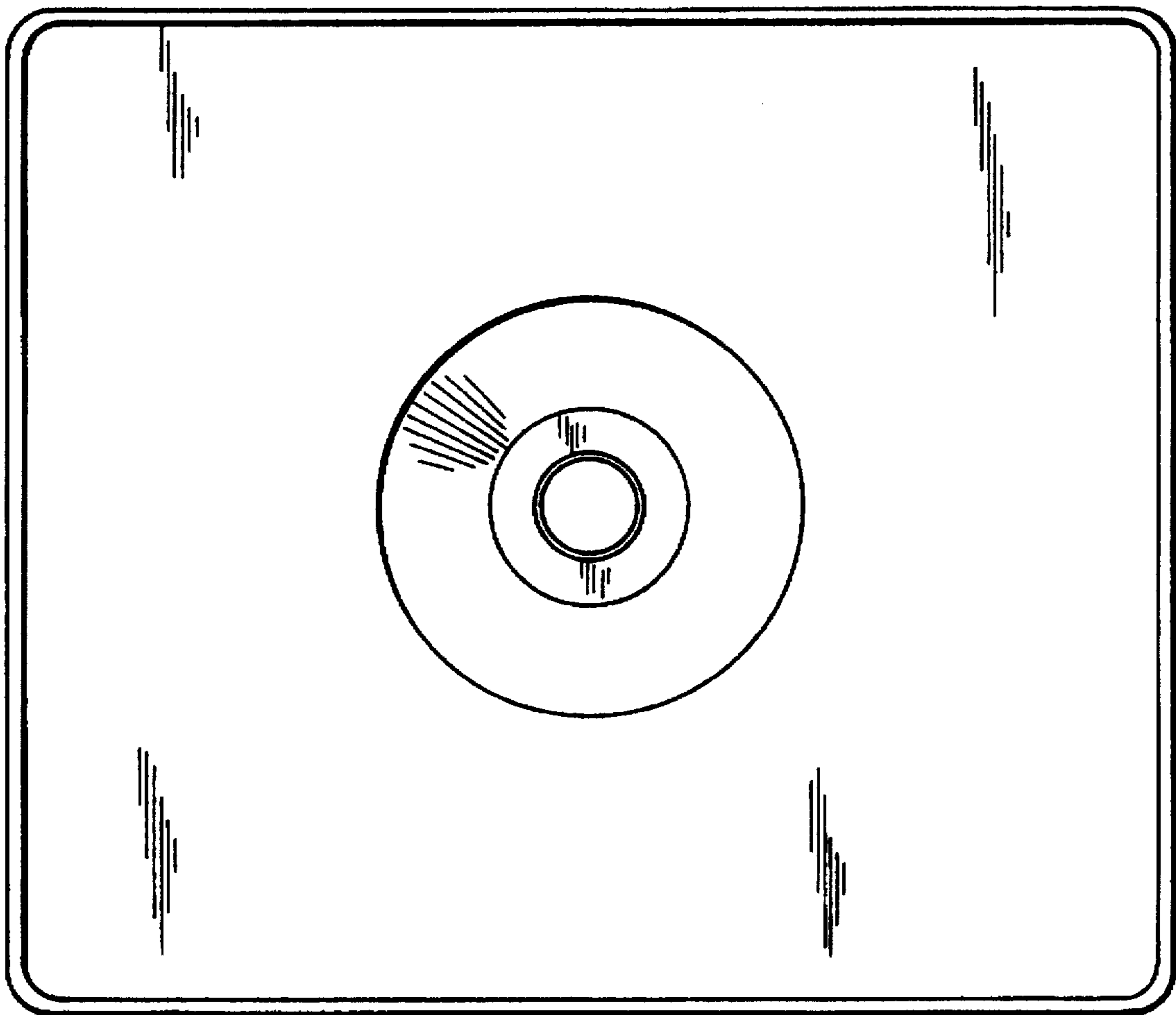
***Fig. 8***



***Fig. 9***

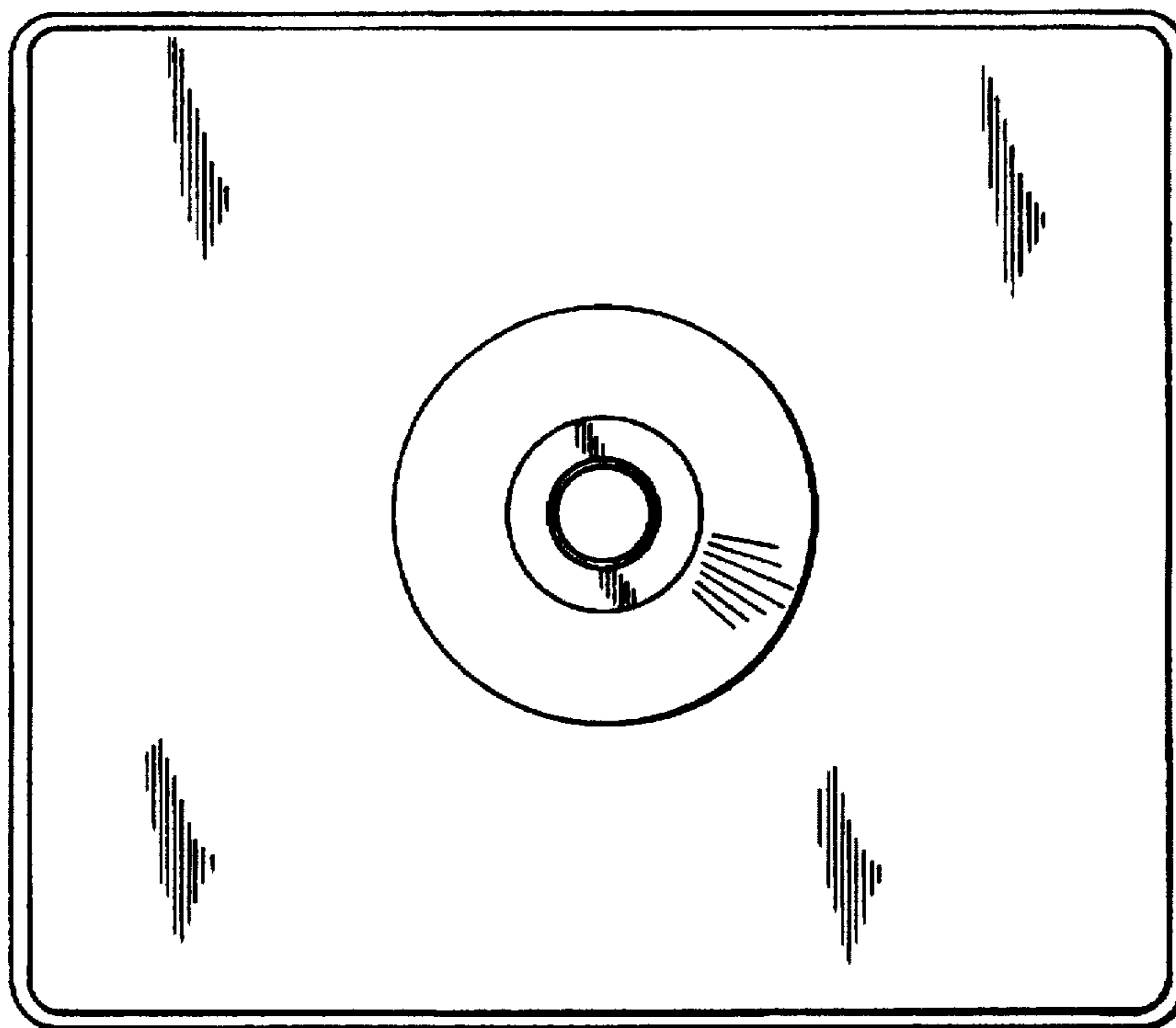


***Fig. 10***

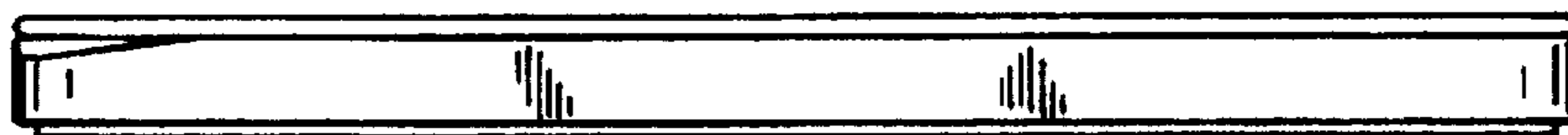




***Fig. 11***



***Fig. 13***



***Fig. 12***

