



US00D385785S

United States Patent [19]
Correll

[11] **Patent Number: Des. 385,785**
[45] **Date of Patent: **Nov. 4, 1997**

[54] **SEALABLE CONTAINER**

356,254 3/1887 Correll D9/423
2,369,728 2/1945 Farkas 206/557 X
5,116,651 5/1992 Datsura et al. 220/457 X

[76] **Inventor: John D. Correll, 8459 Holly Dr.,
Canton, Mich. 48187**

[**] **Term: 14 Years**

Primary Examiner—Sandra L. Morris
Assistant Examiner—Nanda Bondade

[21] **Appl. No.: 55,281**

[57] **CLAIM**

[22] **Filed: Jun. 3, 1996**

The ornamental design for a sealable container, as shown and described.

Related U.S. Application Data

DESCRIPTION

[63] **Continuation-in-part of Ser. No. 37,581, Apr. 17, 1995.**

[51] **LOC (6) Cl. 09-07**

[52] **U.S. Cl. D9/430; D9/431**

[58] **Field of Search D7/602, 629, 698;
D9/345-346, 423, 424, 438, 430-432; 206/457,
534.1, 557, 822; 220/4.21, 4.24, 4.26, 457;
229/109-110, 126, 152, 154, 178, 906**

FIG. 1 is a perspective view of a sealable container showing my new design, with the rear end and left side facing the viewer;

FIG. 2 is a top plan view and also a bottom plan view of the sealable container;

FIG. 3 is a front elevation view of the sealable container;

FIG. 4 is a left side view elevation view of the sealable container;

FIG. 5 is a right side view elevation view of the sealable container; and,

FIG. 6 is a rear elevation view of the sealable container.

[56] **References Cited**

U.S. PATENT DOCUMENTS

D. 280,383 9/1985 Tendick et al. D9/345
D. 329,806 9/1992 Kindt D9/346 X

1 Claim, 2 Drawing Sheets

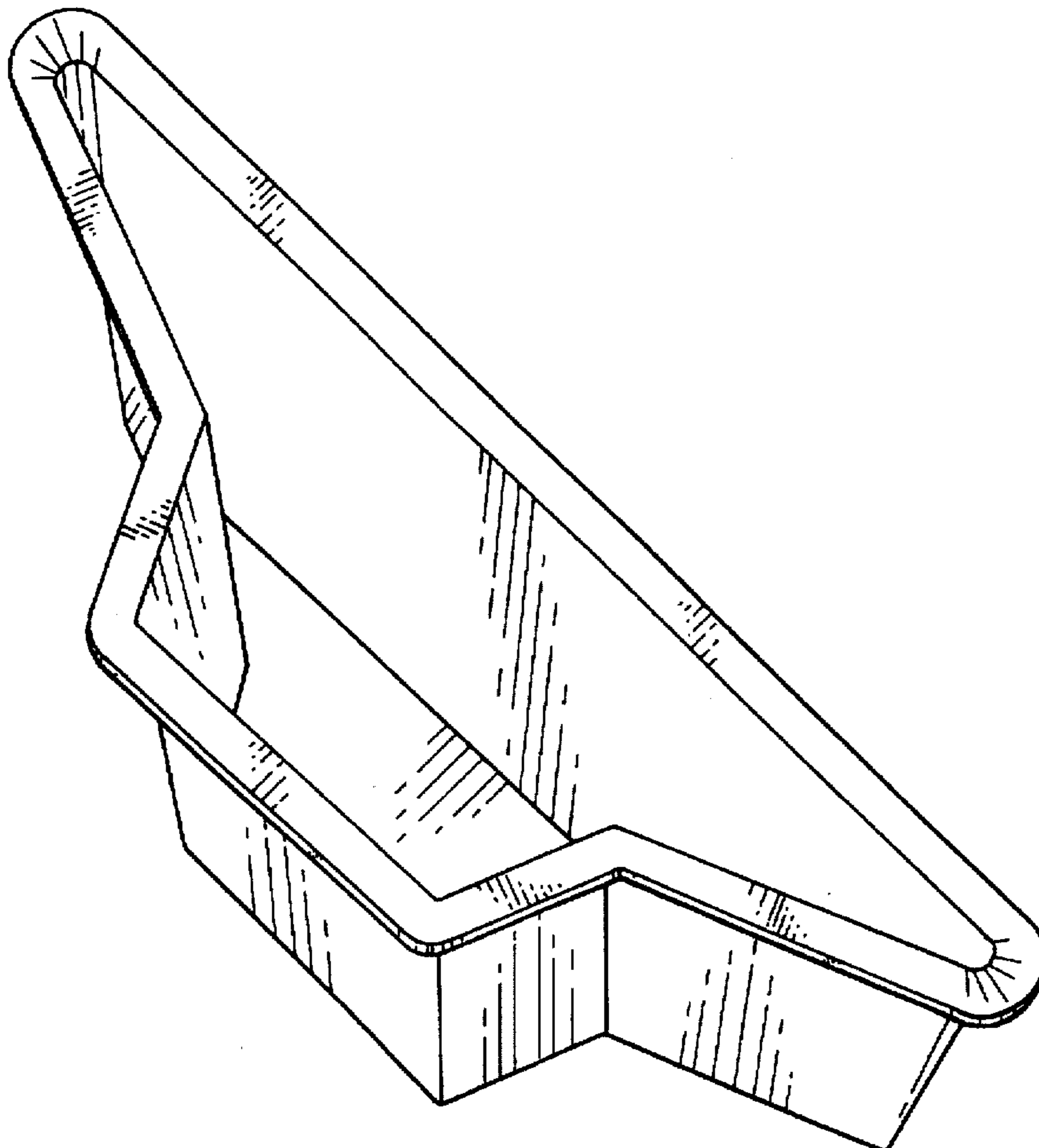


FIG - 1

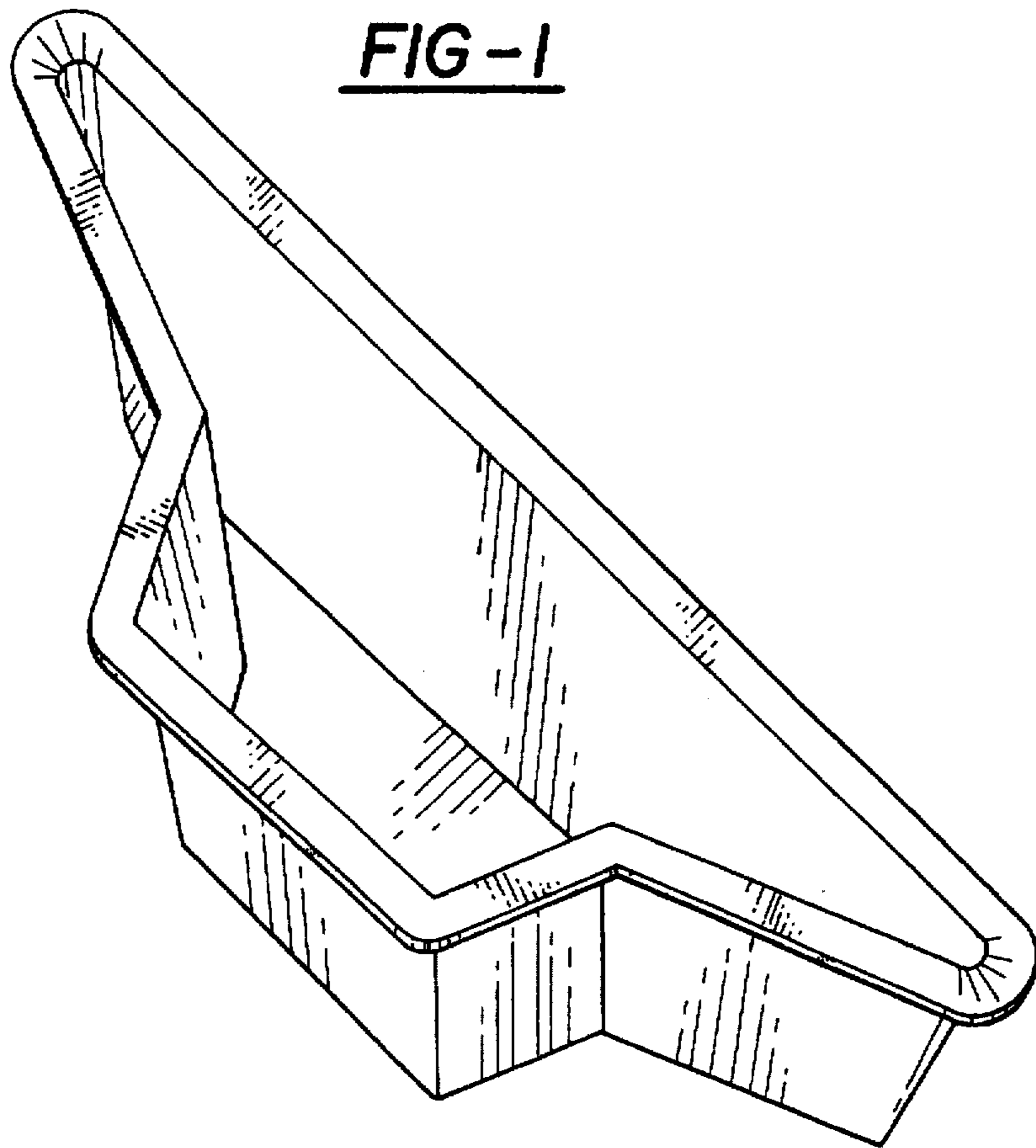


FIG - 2

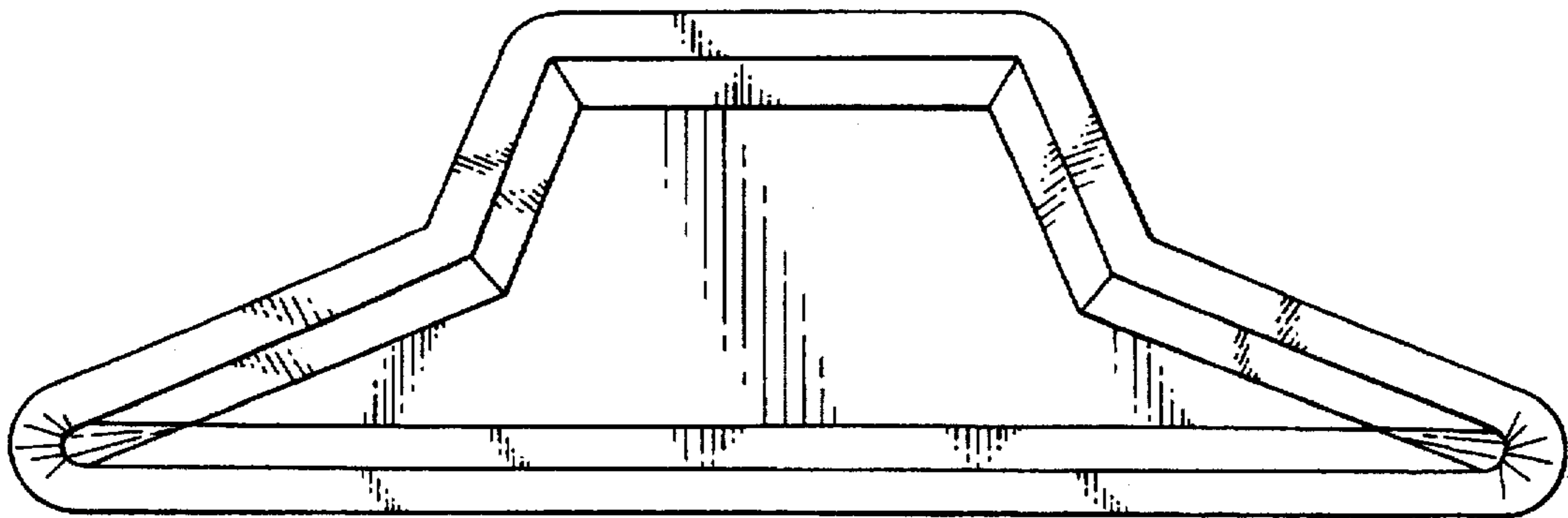


FIG - 3

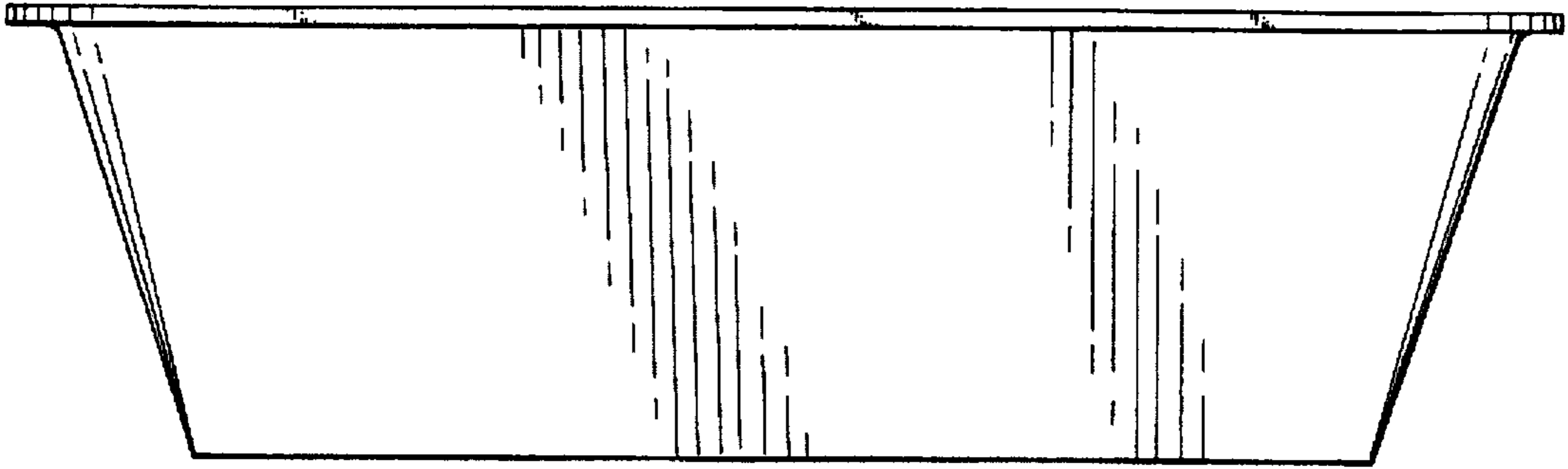


FIG - 4

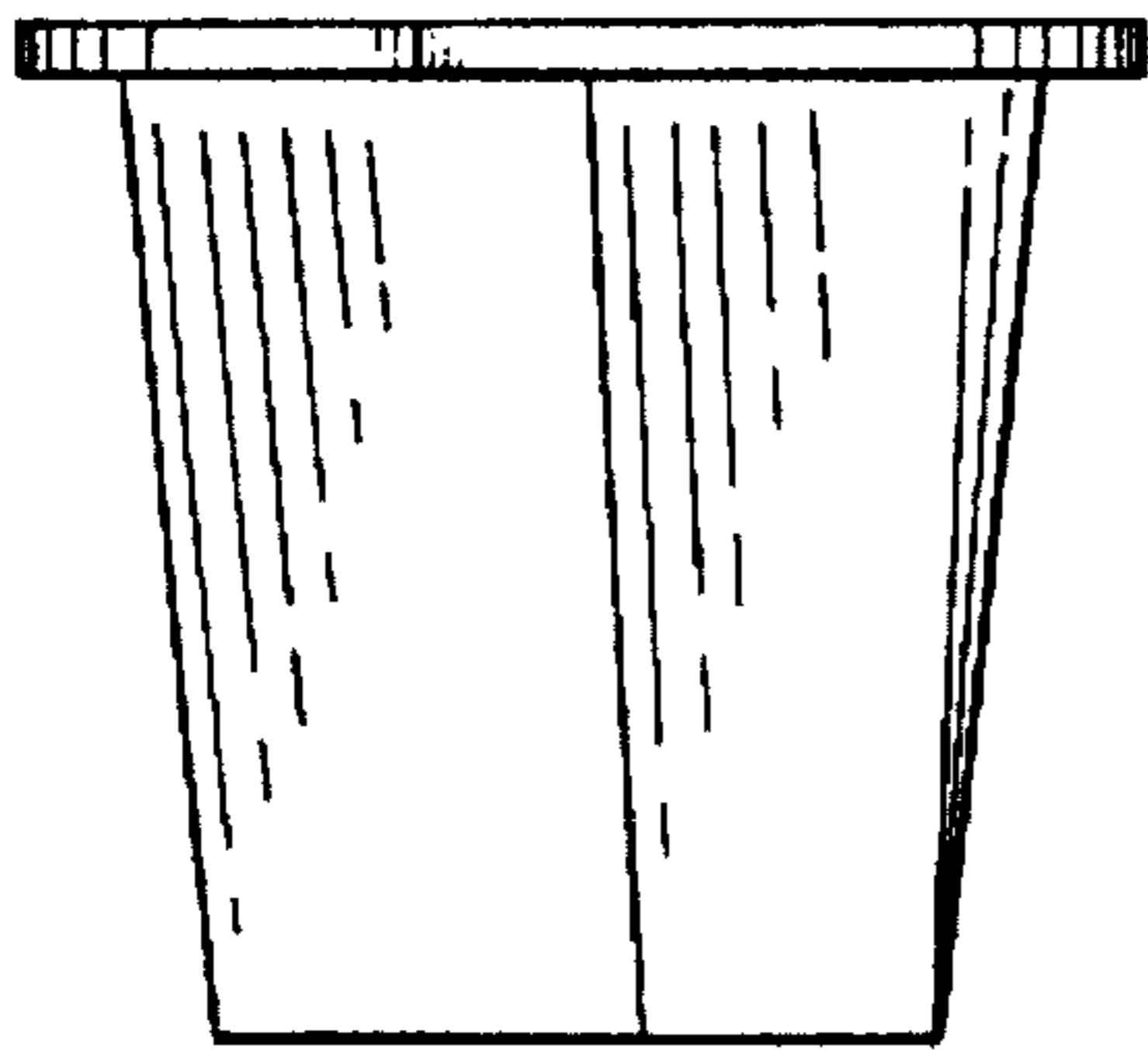


FIG - 5

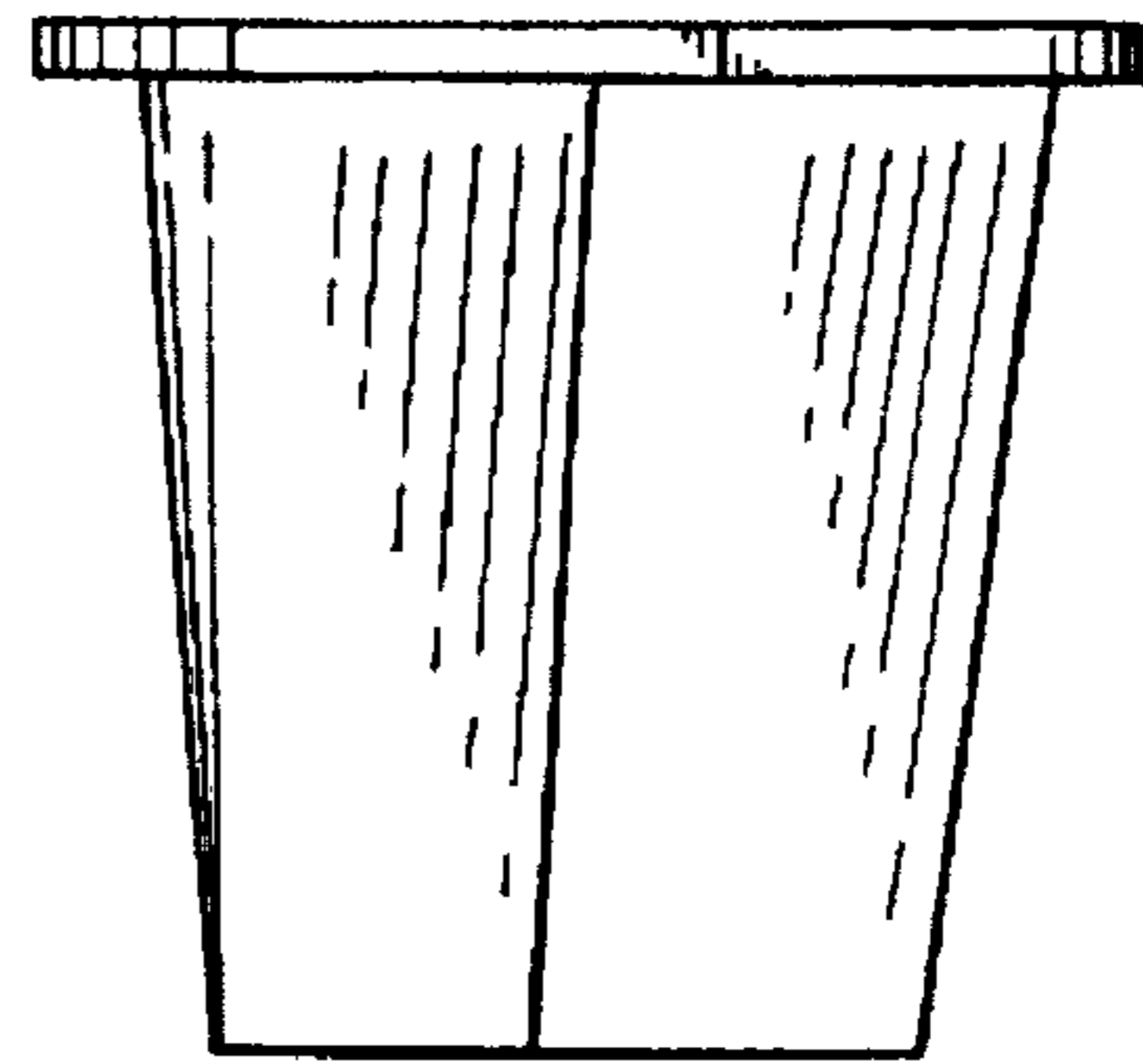


FIG - 6

