

US00D385784S

# United States Patent [19]

Krupa et al.

[11] Patent Number: **Des. 385,784**

[45] Date of Patent: **\*\*Nov. 4, 1997**

[54] **FRUIT CONTAINER**

[75] Inventors: **Calvin S. Krupa, Medina; Robert Knoss, Anoka, both of Minn.**

[73] Assignee: **Ultra Pac, Inc., Rogers, Minn.**

[\*\*] Term: **14 Years**

[21] Appl. No.: **52,442**

[22] Filed: **Feb. 13, 1996**

[51] LOC (6) Cl. .... **09-07**

[52] U.S. Cl. .... **D9/425**

[58] Field of Search ..... **D9/420-425, 432; 220/669-676, 4.22, 4.23, 307, 339, 324, 326, 334, 556; 229/406, 407, 938, 902**

[56] **References Cited**

**U.S. PATENT DOCUMENTS**

- D. 276,216 11/1984 Michaud ..... D9/425
- D. 282,245 1/1986 Yeung ..... D9/431 X
- D. 305,409 1/1990 Michaud et al. .... D9/425
- D. 343,576 1/1994 Krupa ..... D9/423

- D. 348,608 7/1994 Wyslowsky ..... D9/425
- D. 361,035 8/1995 Krupa ..... D9/424
- D. 361,036 8/1995 Krupa ..... D9/424
- D. 363,879 11/1995 Krupa et al. .... D9/423
- 3,837,526 9/1974 Medendorp ..... 220/282
- 5,046,659 9/1991 Warburton ..... 229/406
- 5,456,379 10/1995 Krupa et al. .... 220/676 X

*Primary Examiner*—Prabhakar G. Deshmukh  
*Attorney, Agent, or Firm*—Haugen and Nikolai, P.A.

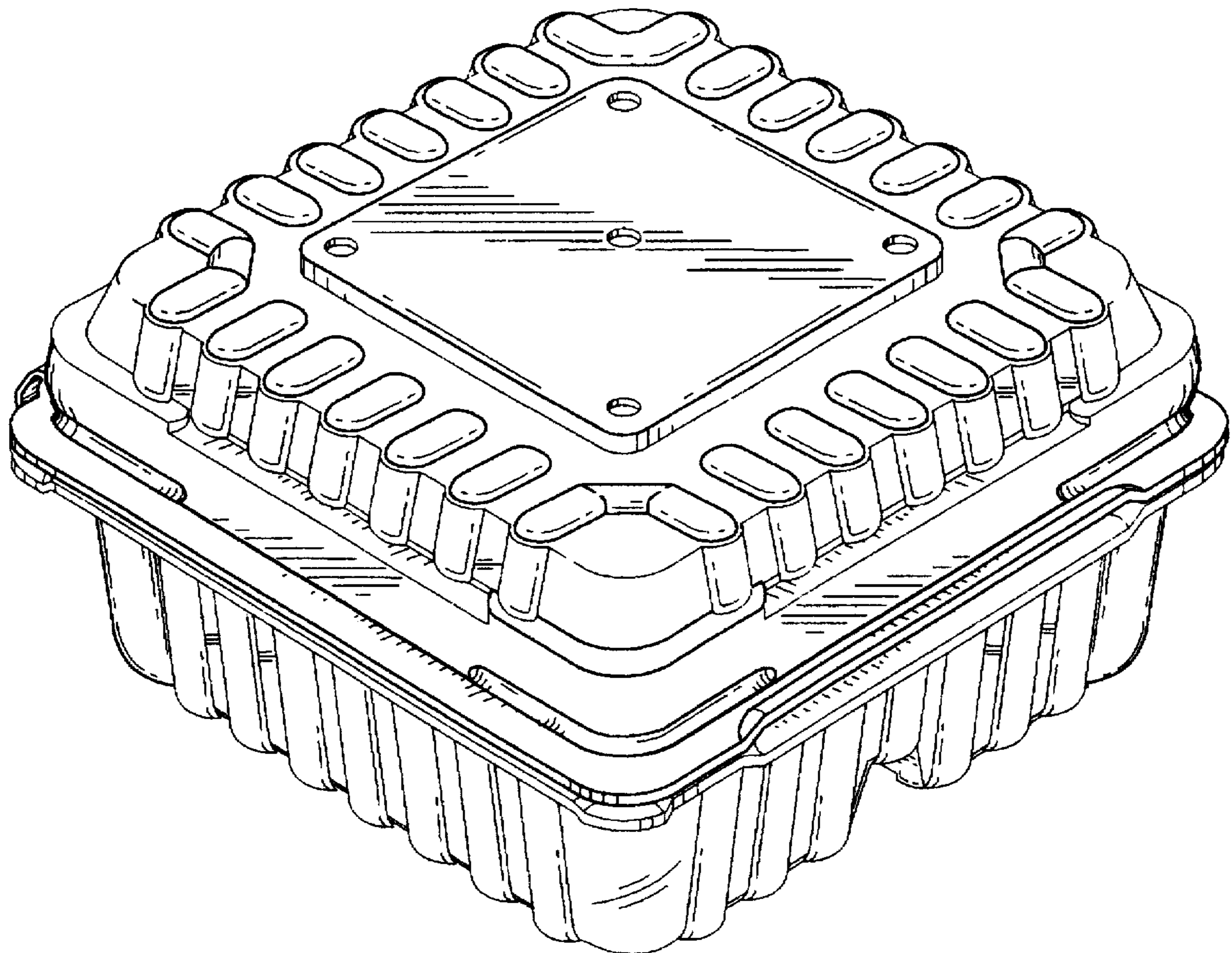
[57] **CLAIM**

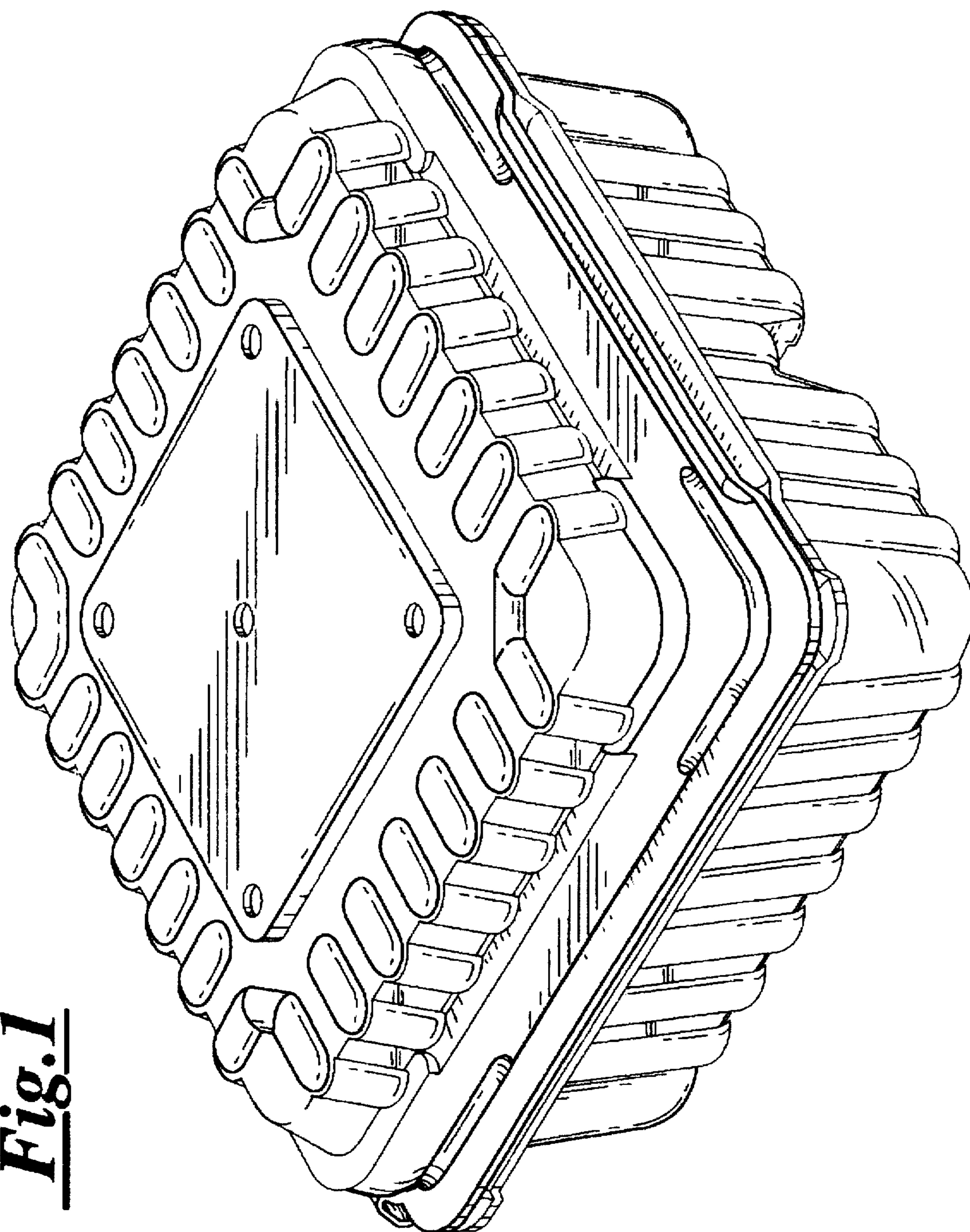
The ornamental design for a fruit container, as shown and described.

**DESCRIPTION**

FIG. 1 is a perspective view of a fruit container showing our new design;  
FIG. 2 is a left side elevational view thereof;  
FIG. 3 is a right side elevational view thereof;  
FIG. 4 is a front elevational view thereof;  
FIG. 5 is a rear elevational view thereof;  
FIG. 6 is a top plan view thereof; and,  
FIG. 7 is a bottom plan view thereof.

**1 Claim, 3 Drawing Sheets**





**Fig. 1**

Fig.3

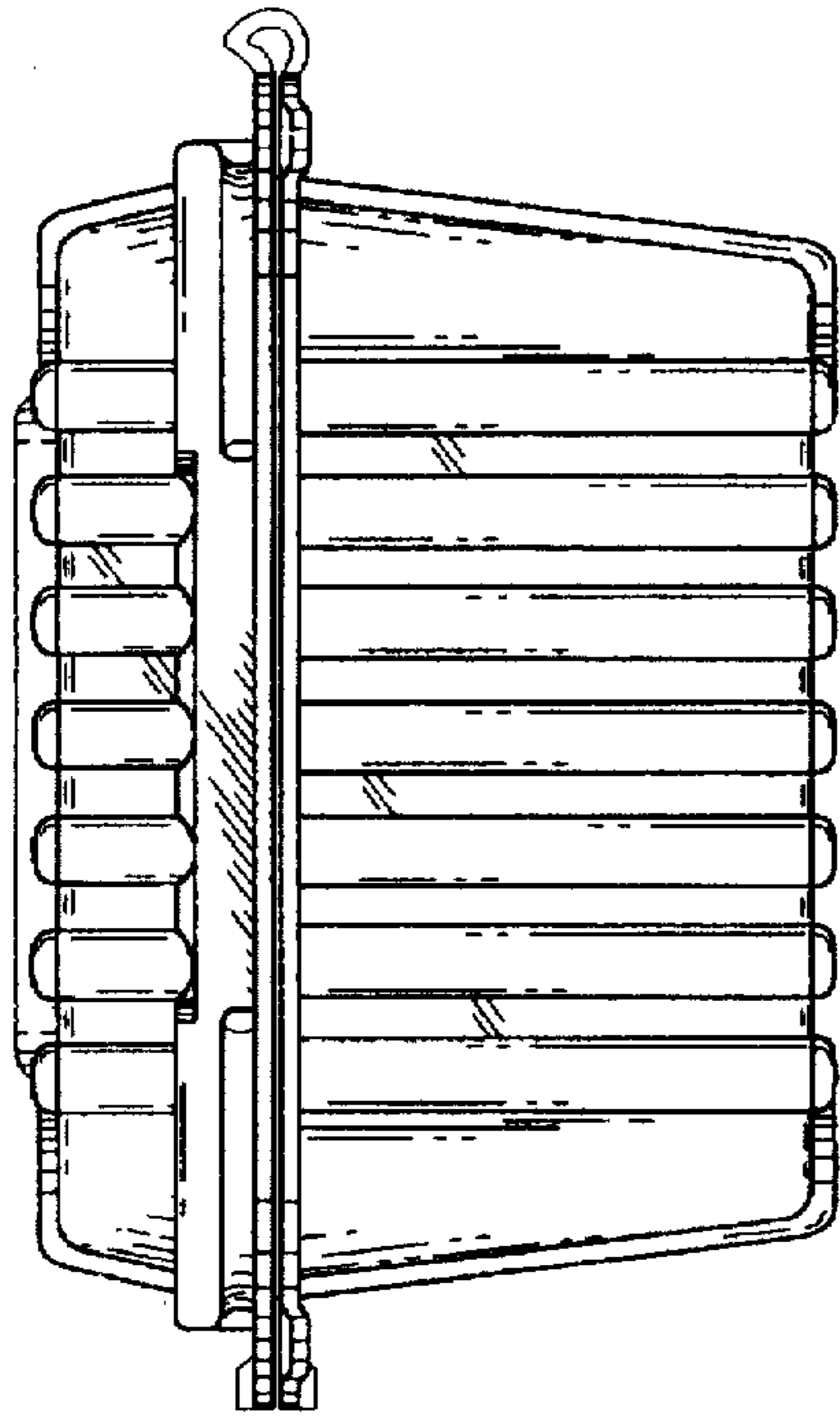


Fig.5

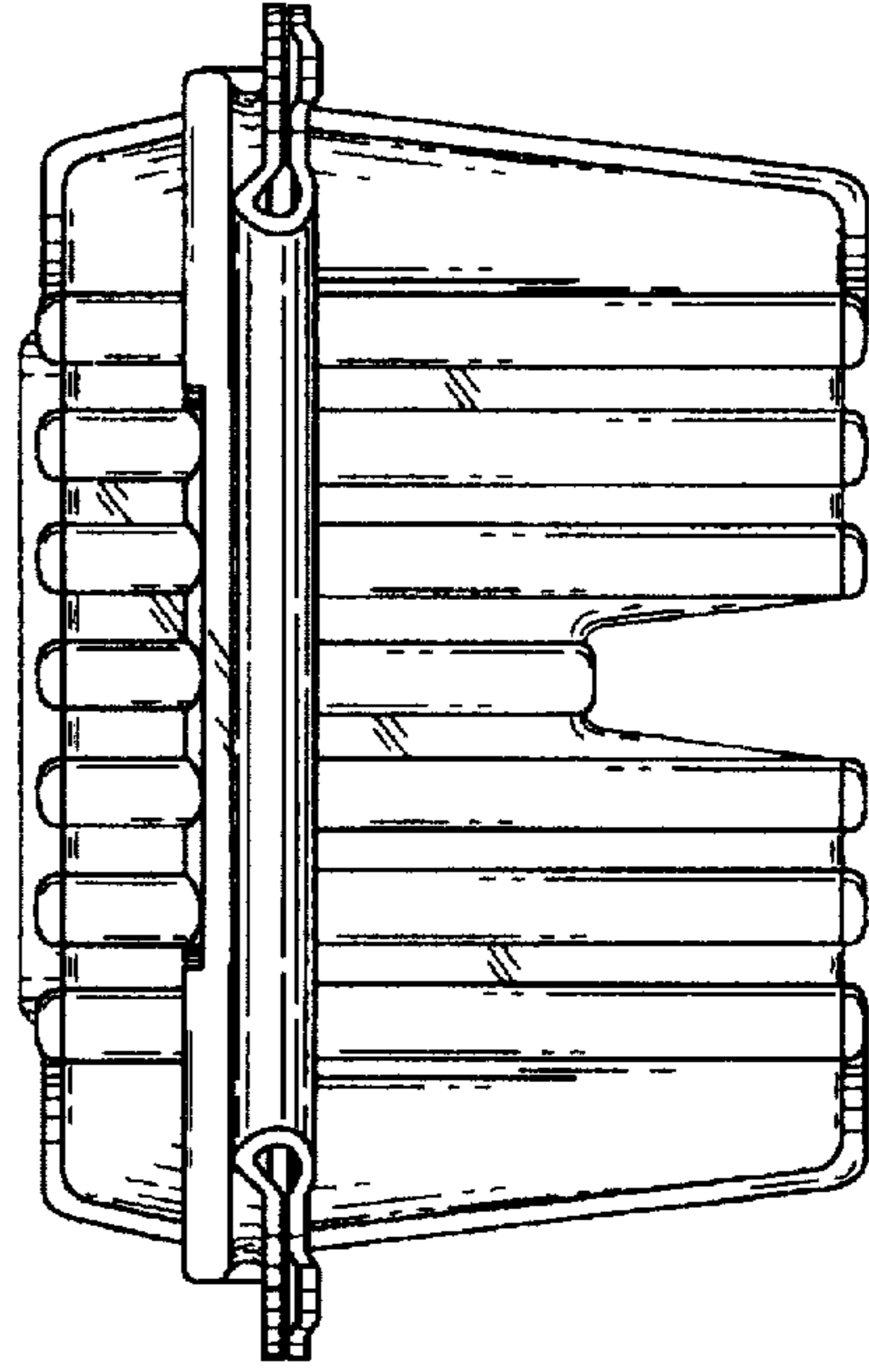


Fig.2

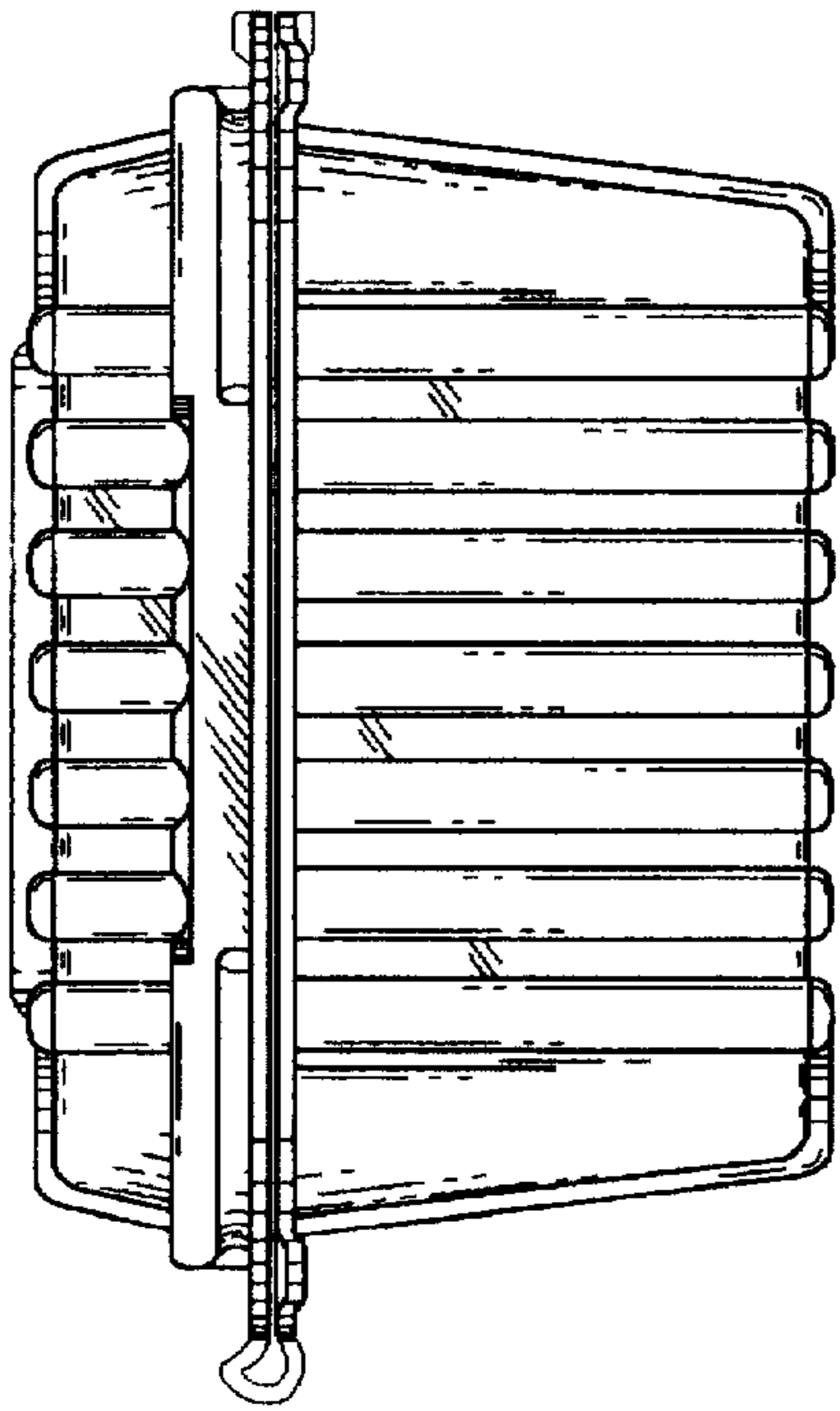


Fig.4

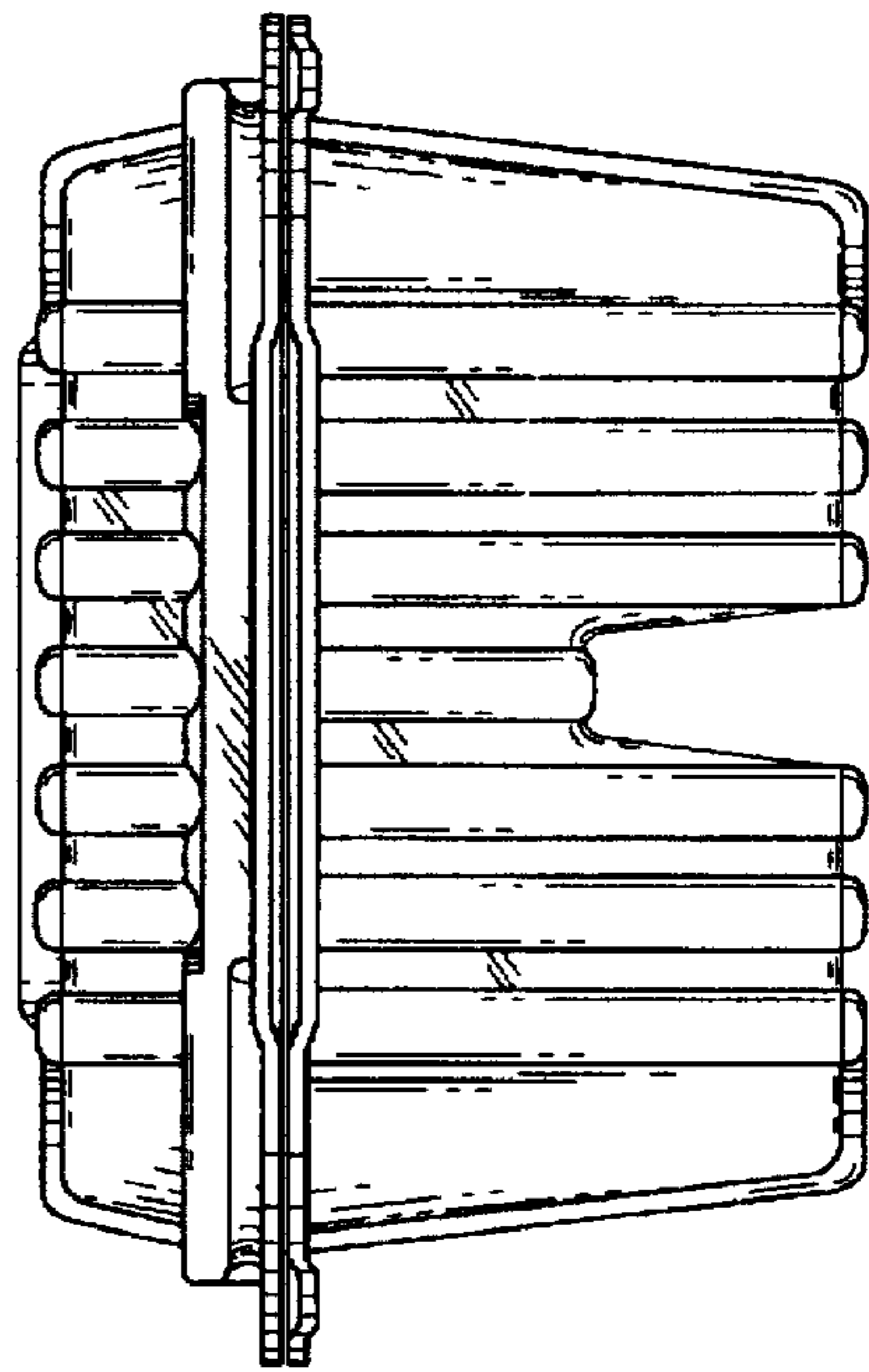


Fig. 6

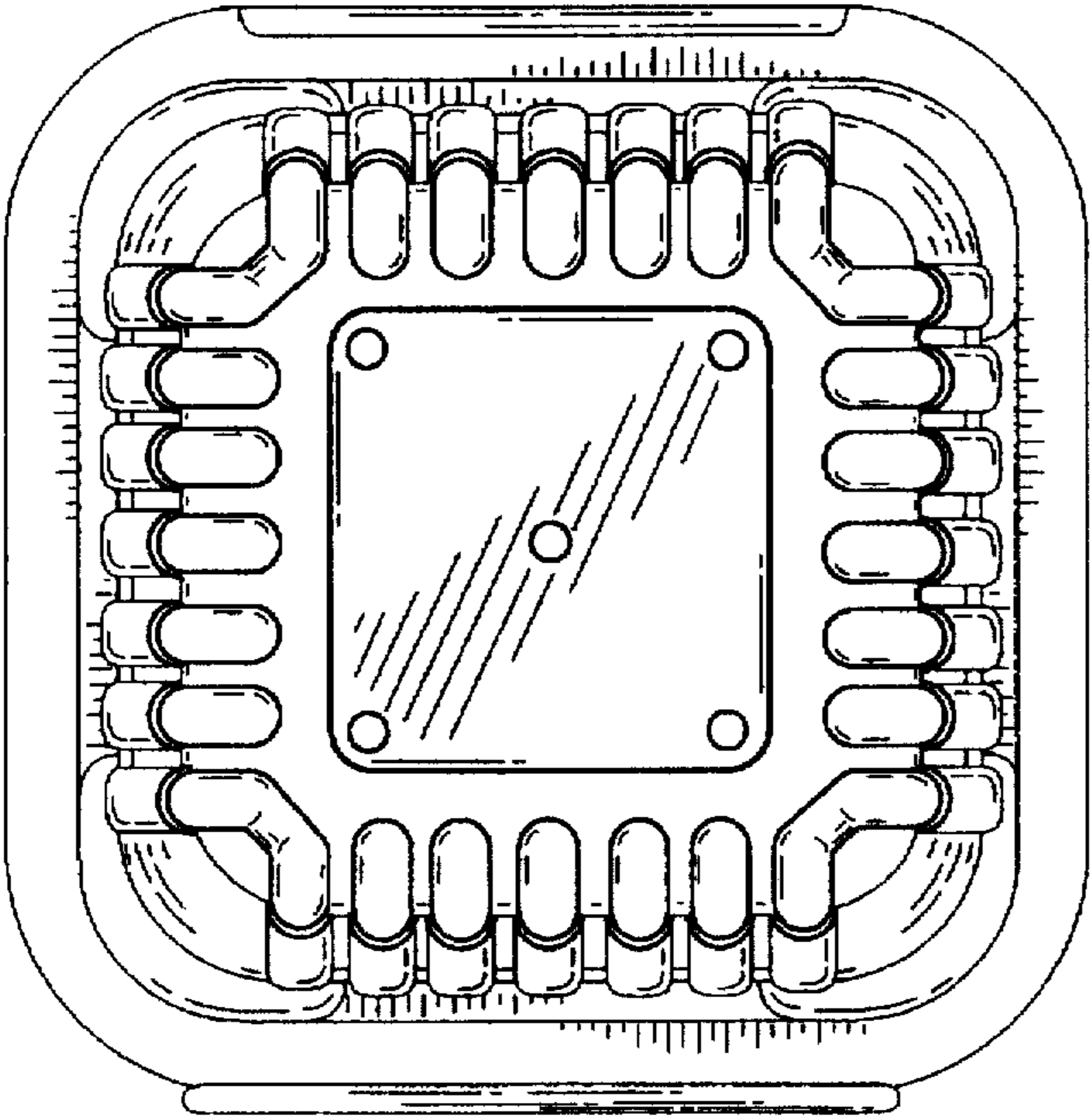


Fig. 7

