



US00D385781S

# United States Patent [19]

[11] Patent Number: **Des. 385,781**

Levine et al.

[45] Date of Patent: **\*\*Nov. 4, 1997**

[54] **DISPLAY BOX FOR A DOLL AND BOOK**

*Attorney, Agent, or Firm*—Salter & Michaelson

[75] Inventors: **Donald M. Levine**, Providence;  
**Matthew M. Lizak**, North Smithfield,  
both of R.I.

[57] **CLAIM**

The ornamental design for a display box for a doll and book, as shown and described.

[73] Assignee: **DML Associates, Inc.**, Providence, R.I.

**DESCRIPTION**

[\*\*] Term: **14 Years**

FIG. 1 is a perspective view of a display box for a doll and book showing our new design;

[21] Appl. No.: **60,624**

FIG. 2 is a perspective view showing the box of FIG. 1 with the cover in open position;

[22] Filed: **Oct. 2, 1996**

FIG. 3 is a top plan view thereof with the cover in open position;

[51] LOC (6) Cl. .... **09-03**

FIG. 4 is a bottom plan view thereof with the cover in open position;

[52] U.S. Cl. .... **D9/347; D9/423; D9/432**

FIG. 5 is a left side elevational view thereof with the cover in open position;

[58] Field of Search ..... **D9/326, 341-343, D9/347-348, 337, 414, 420-423, 432-433; 206/232, 387.13, 424, 457, 778; 229/72**

FIG. 6 is a right side elevational view thereof with the cover in open position;

[56] **References Cited**

**U.S. PATENT DOCUMENTS**

D. 214,026	5/1969	Rakocy	.....	D9/341
D. 268,098	3/1983	Brown	.....	D9/432 X
4,467,920	8/1984	Smith	.....	206/457
5,251,747	10/1993	Hansen et al.	.....	206/232

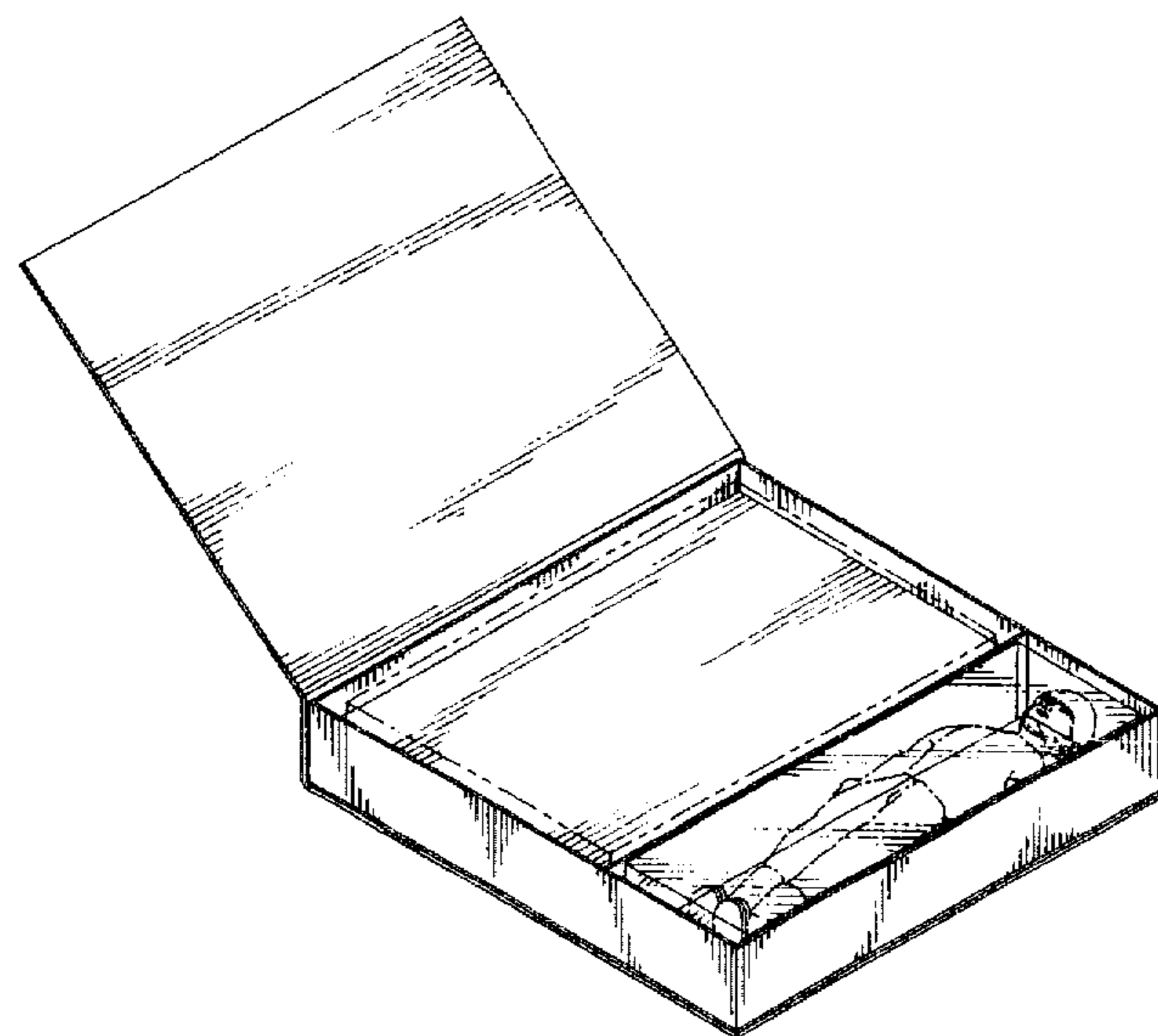
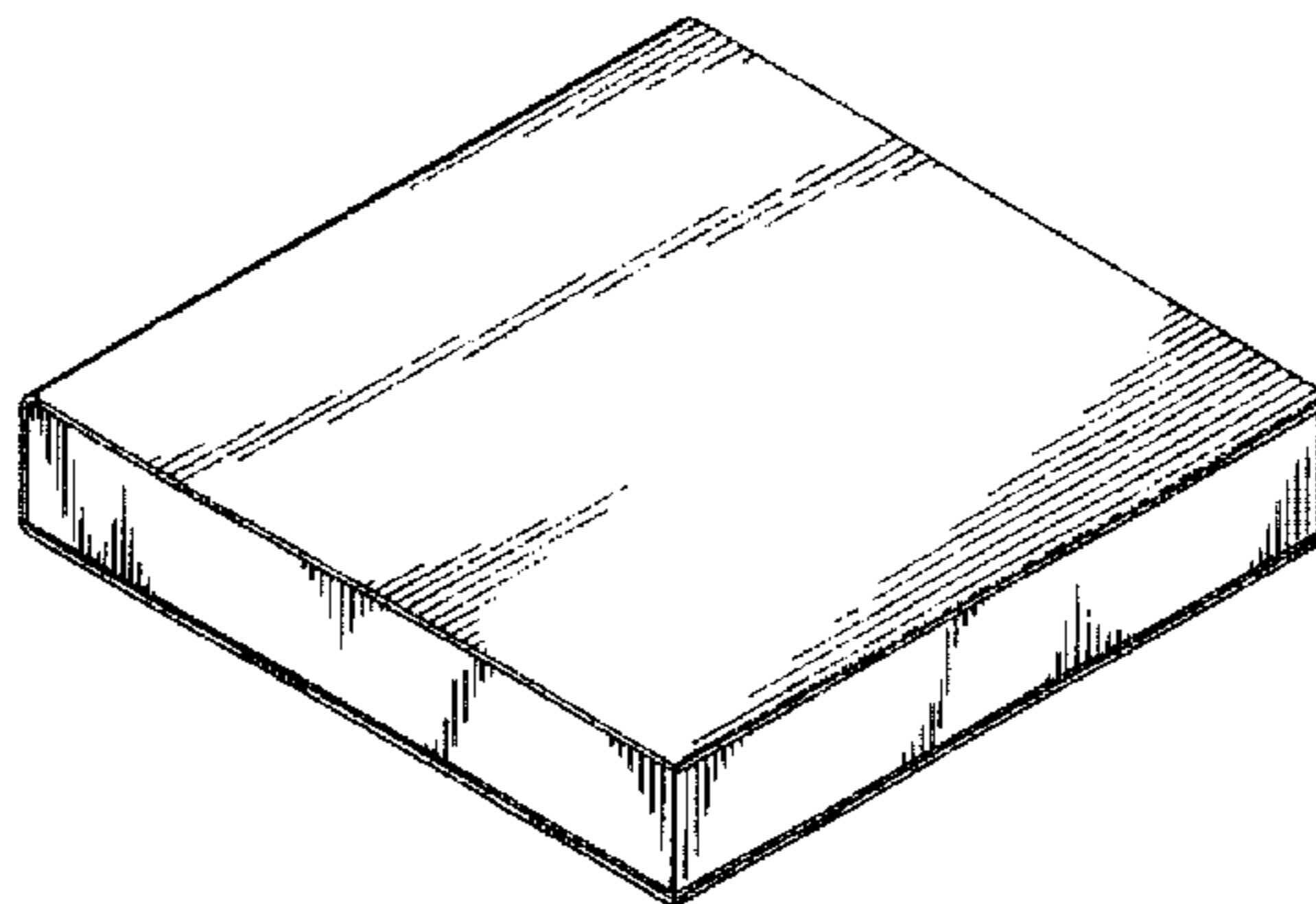
FIG. 7 is a front elevational view thereof with the cover in open position; and,

FIG. 8 is a rear elevational view thereof with the cover in open position.

The broken-line showing of the doll and book in FIG. 2 is for illustration only and forms no part of the instant design.

*Primary Examiner*—Sandra L. Morris  
*Assistant Examiner*—Nanda Bondade

**1 Claim, 3 Drawing Sheets**



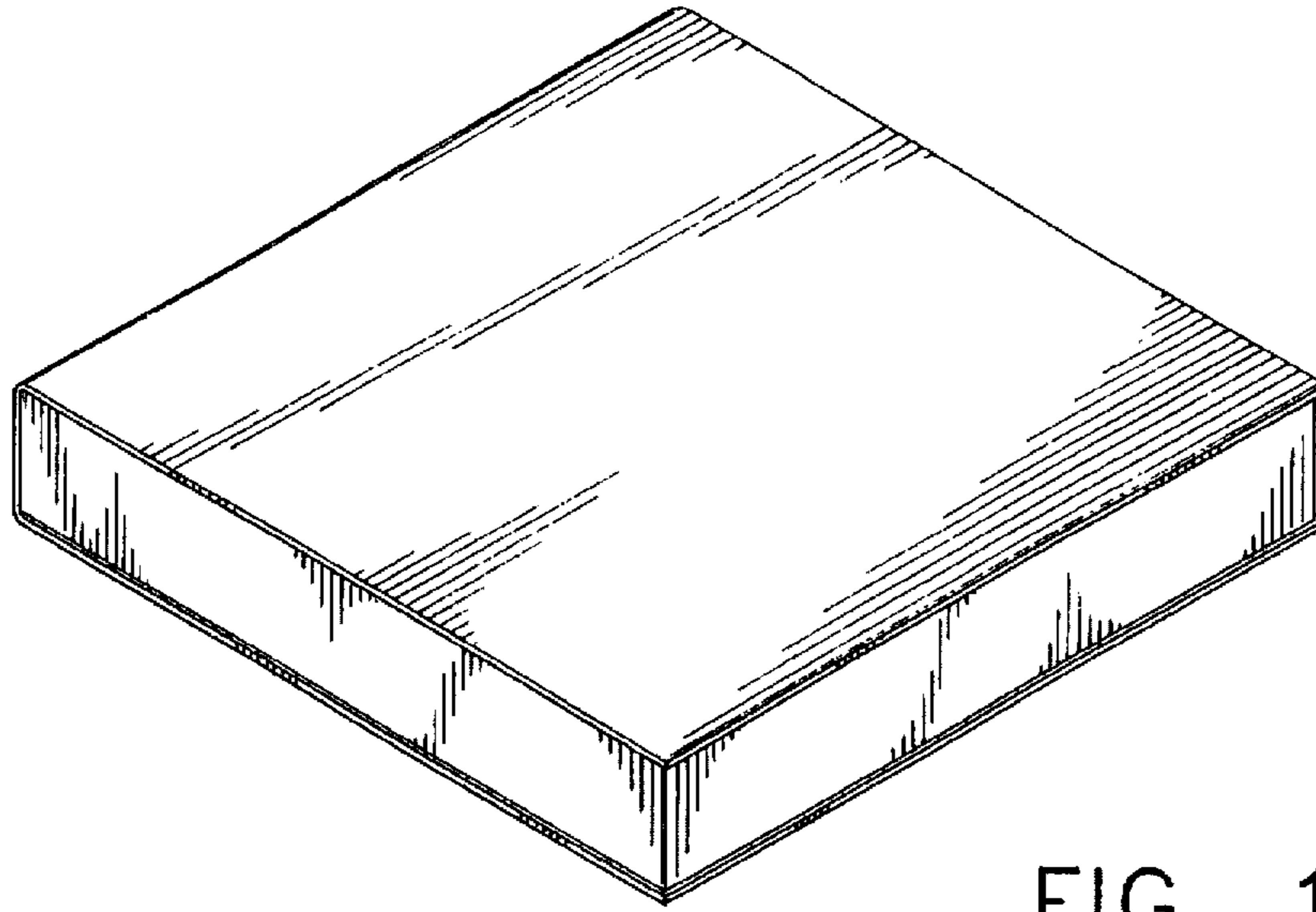


FIG. 1

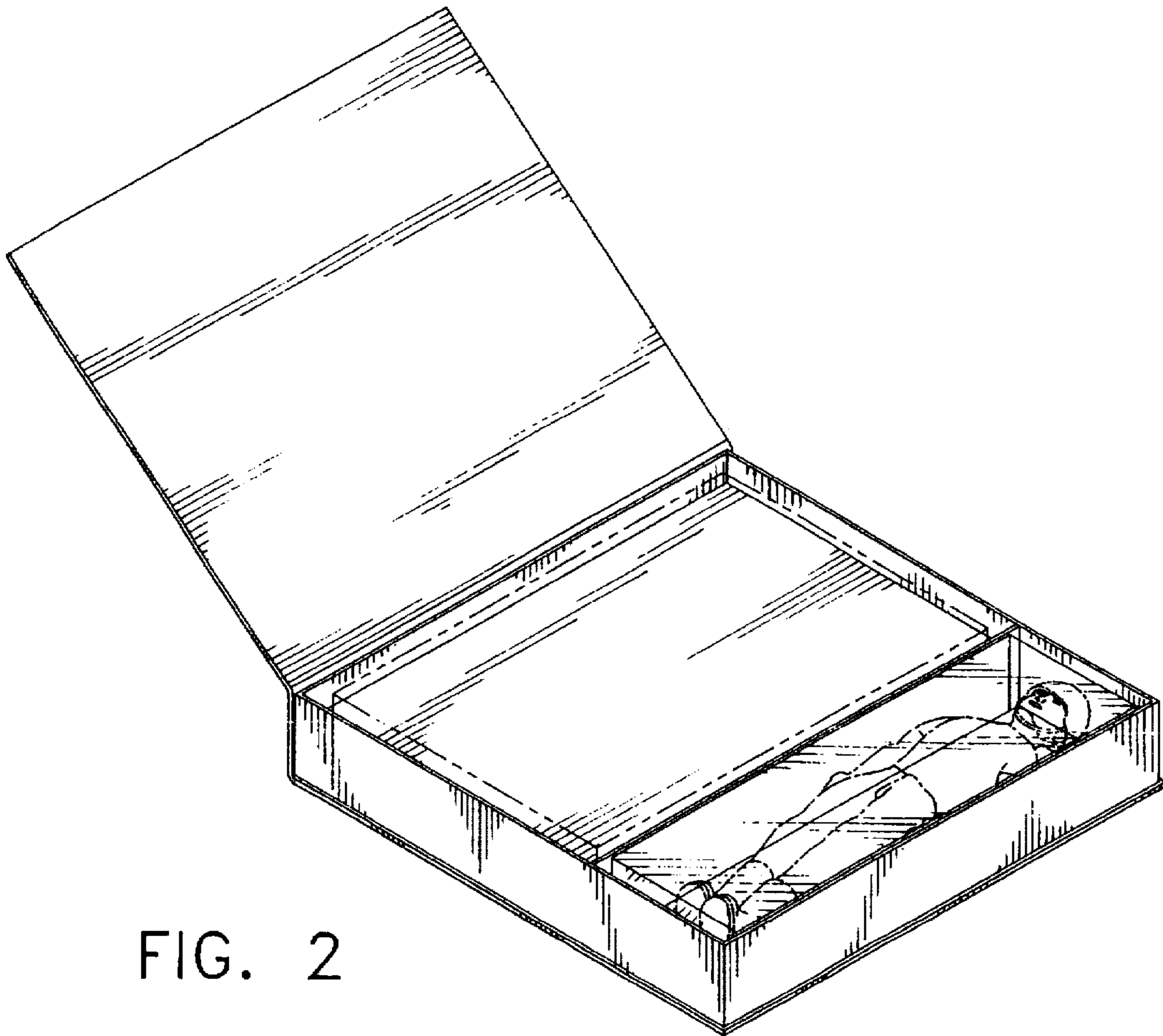


FIG. 2

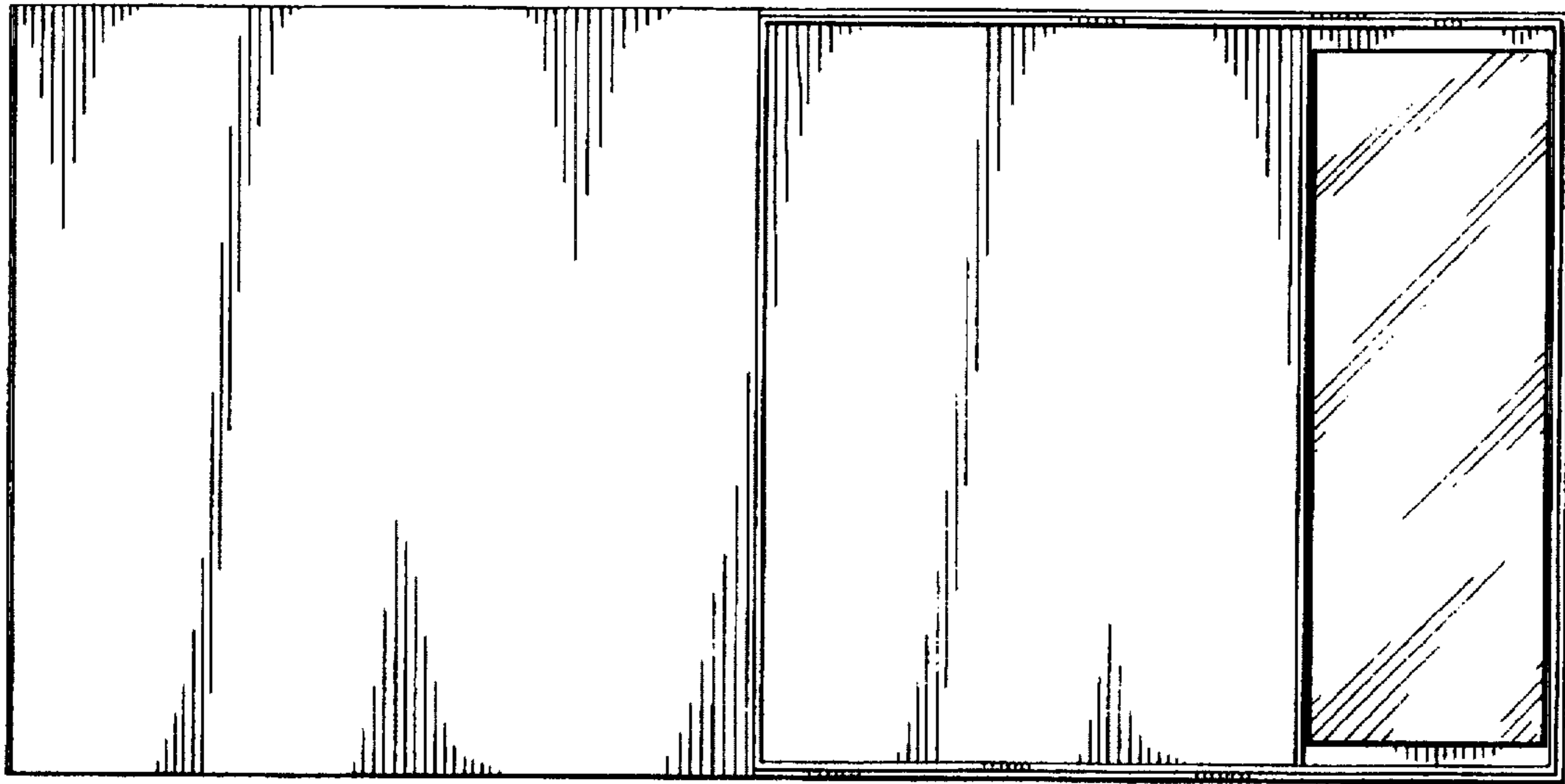


FIG. 3

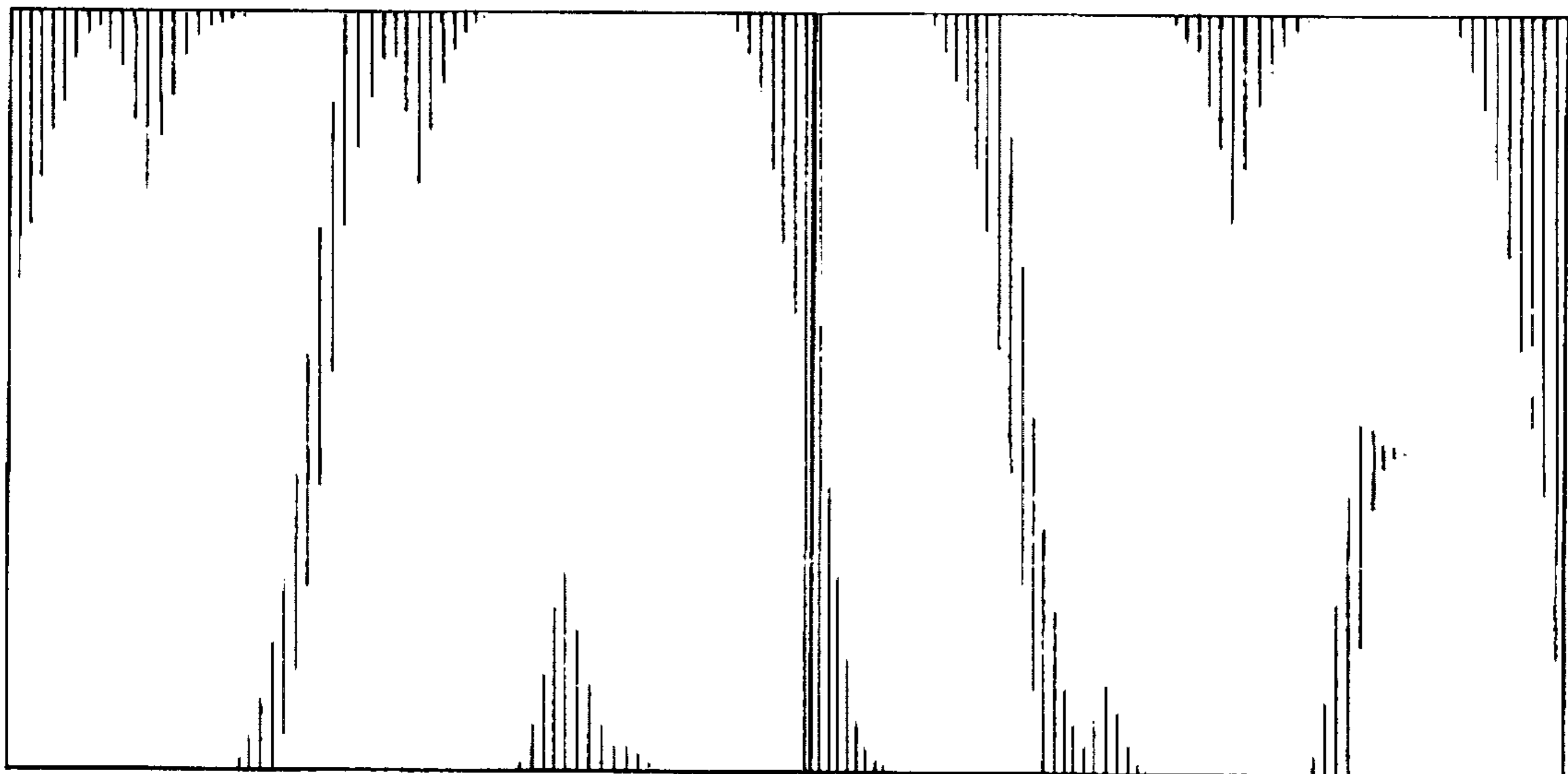


FIG. 4

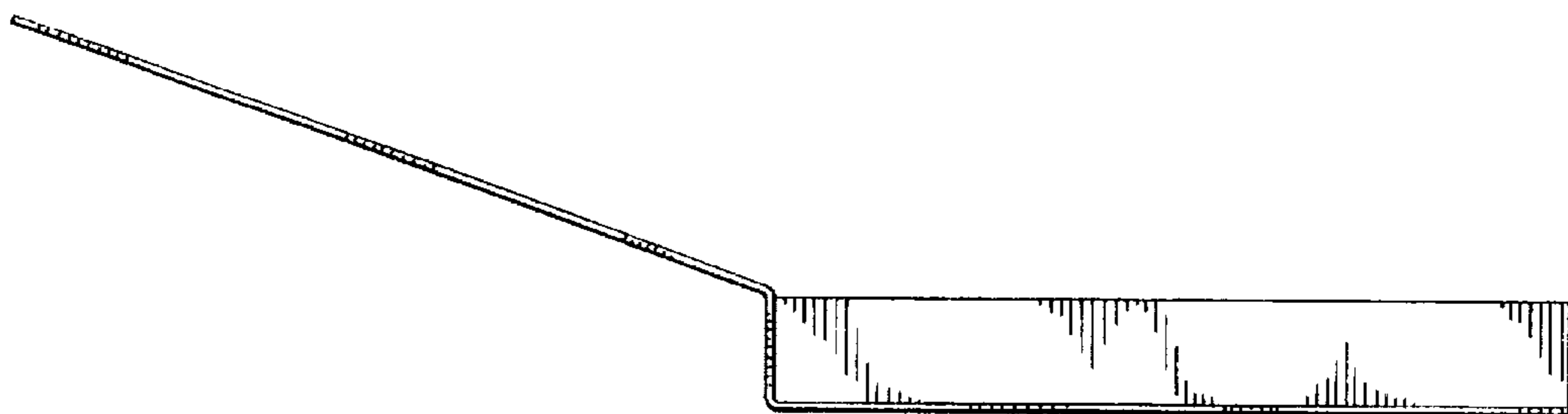


FIG. 5

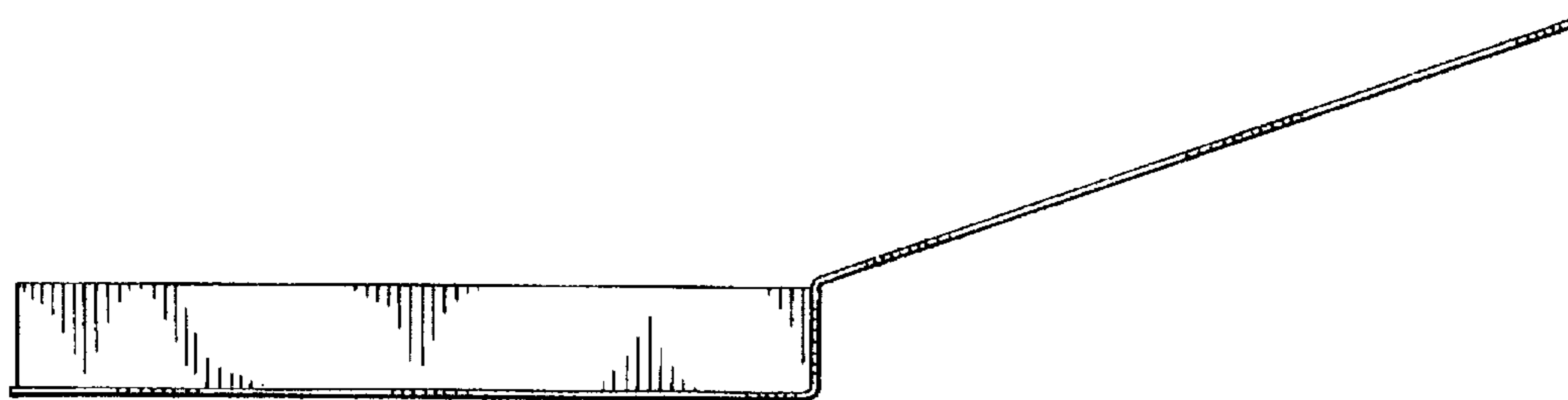


FIG. 6

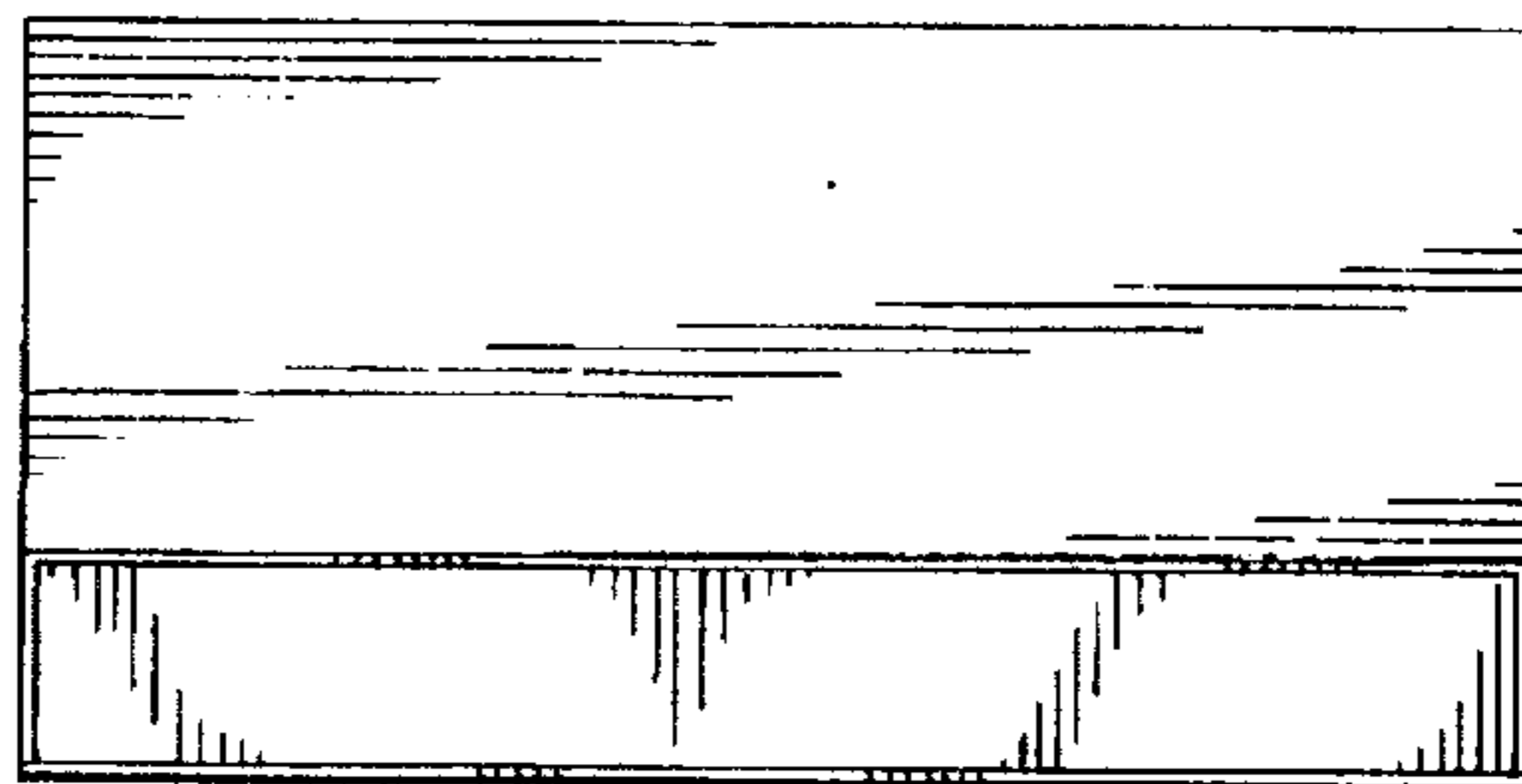


FIG. 7

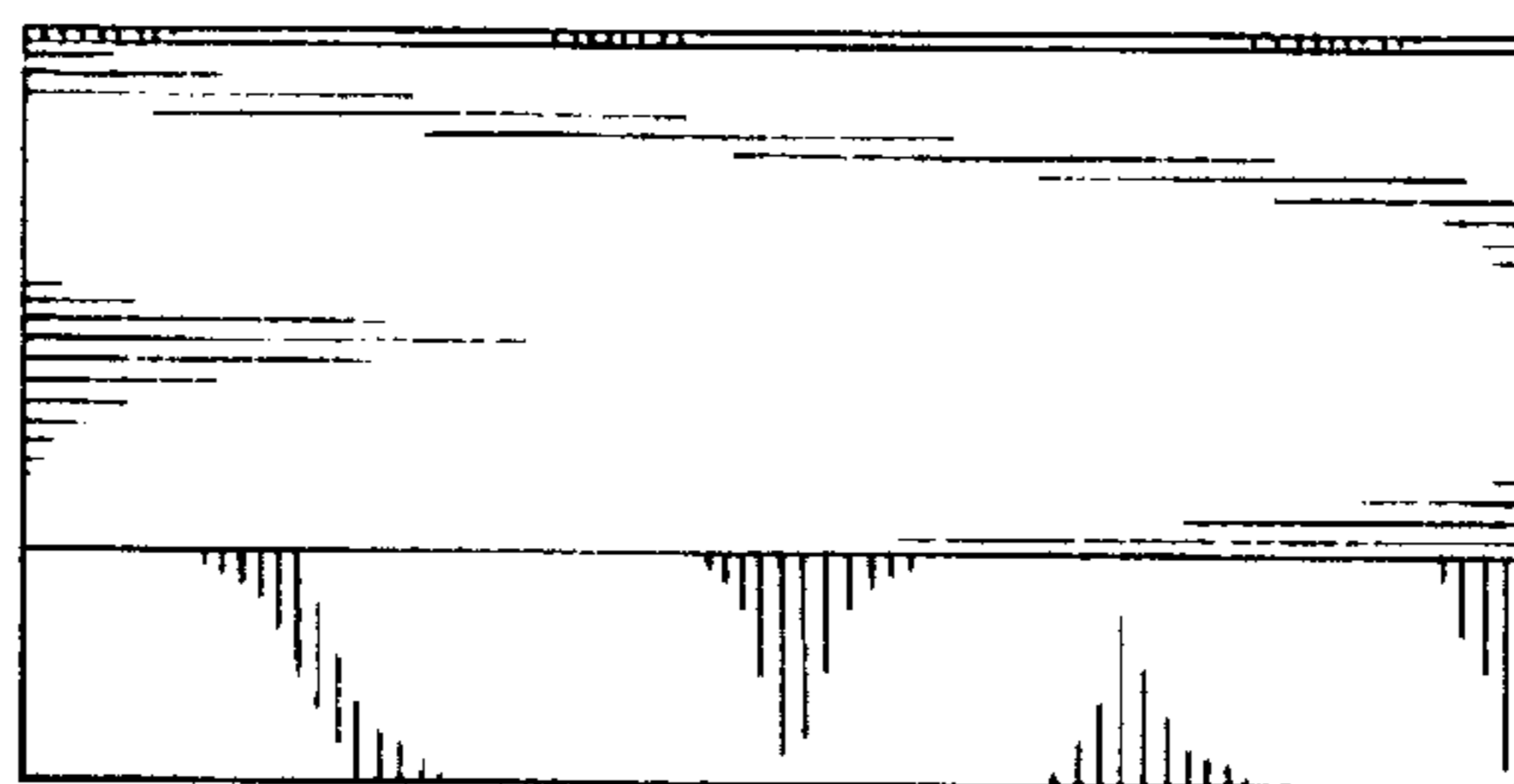


FIG. 8