



US00D385777S

# United States Patent [19] Vallery

[11] Patent Number: **Des. 385,777**  
[45] Date of Patent: **\*\*Nov. 4, 1997**

[54] **LOCKING NUT**

[76] Inventor: **Stafford J. Vallery**, 3170 SE. Dominica Ter., Stuart, Fla. 34997

[\*\*] Term: **14 Years**

[21] Appl. No.: **62,206**

[22] Filed: **Nov. 12, 1996**

[51] LOC (6) Cl. .... **08-08**

[52] U.S. Cl. .... **D8/397**

[58] Field of Search ..... D8/397; 411/259,  
411/366, 368, 370, 427

[56] **References Cited**

**U.S. PATENT DOCUMENTS**

D. 223,187	3/1972	Wing	.....	D8/397
D. 254,292	2/1980	Kruger	.....	D8/397
1,693,957	12/1928	Oakley	.....	411/427
1,915,630	6/1933	Tichenor	.....	411/427

**FOREIGN PATENT DOCUMENTS**

1082	of 1915	United Kingdom	.....	411/427
------	---------	----------------	-------	---------

**OTHER PUBLICATIONS**

Specialty Fasteners for Industry by Shur-Lok; Oct. 24, 1986; Section 5; Clinch nut SL1172.

*Primary Examiner*—B. J. Bullock  
*Attorney, Agent, or Firm*—Dennis T. Griggs

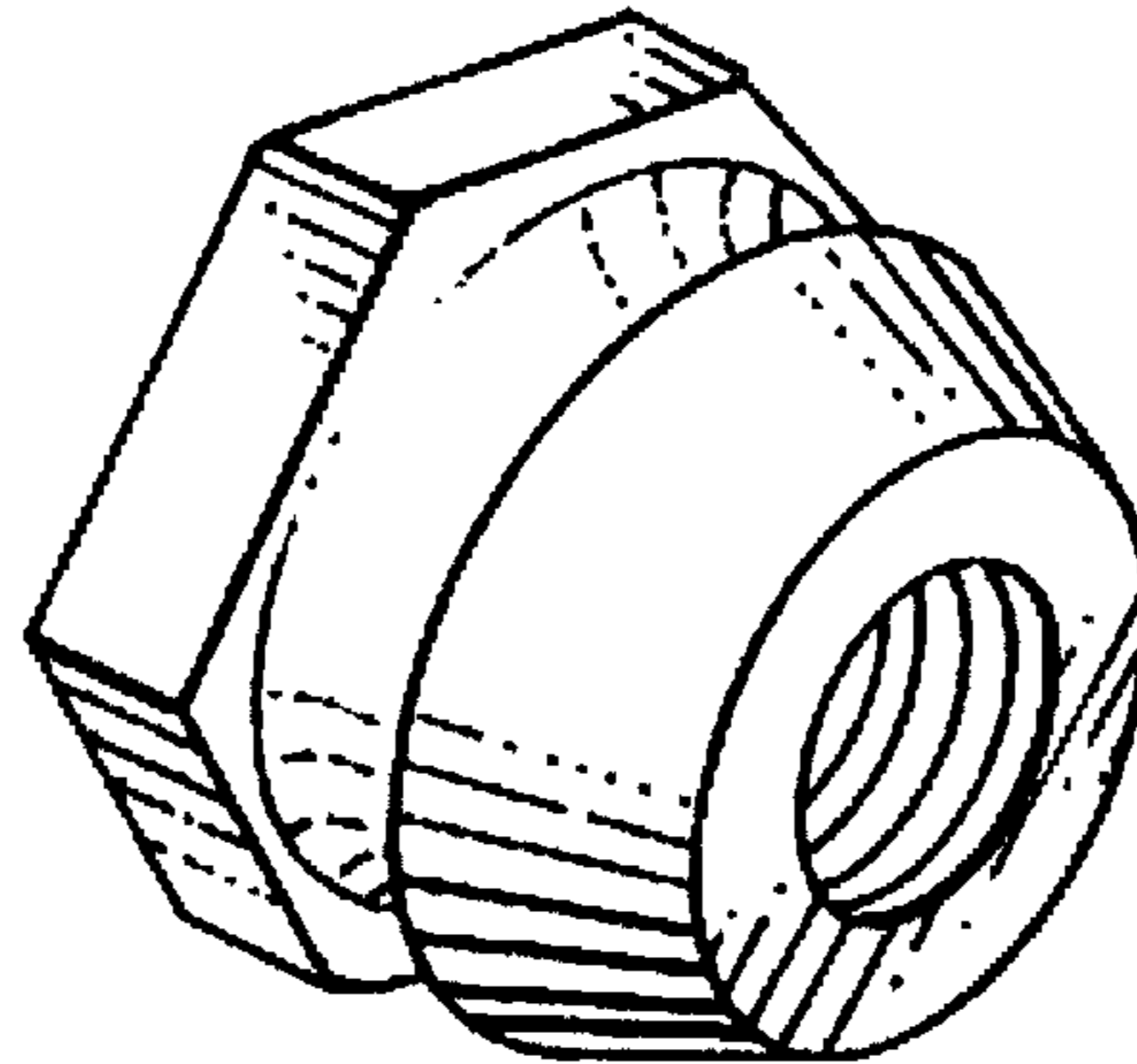
[57] **CLAIM**

The ornamental design for a locking nut, as shown and described.

**DESCRIPTION**

FIG. 1 is perspective view of a locking nut which illustrates my new design;  
FIG. 2 is a front elevational view thereof;  
FIG. 3 is a rear elevational view thereof;  
FIG. 4 is a left side elevational view thereof, the right side elevational view being a mirror image thereof; and,  
FIG. 5 is a top plan view thereof, the bottom plan view being a mirror image thereof.

**1 Claim, 1 Drawing Sheet**



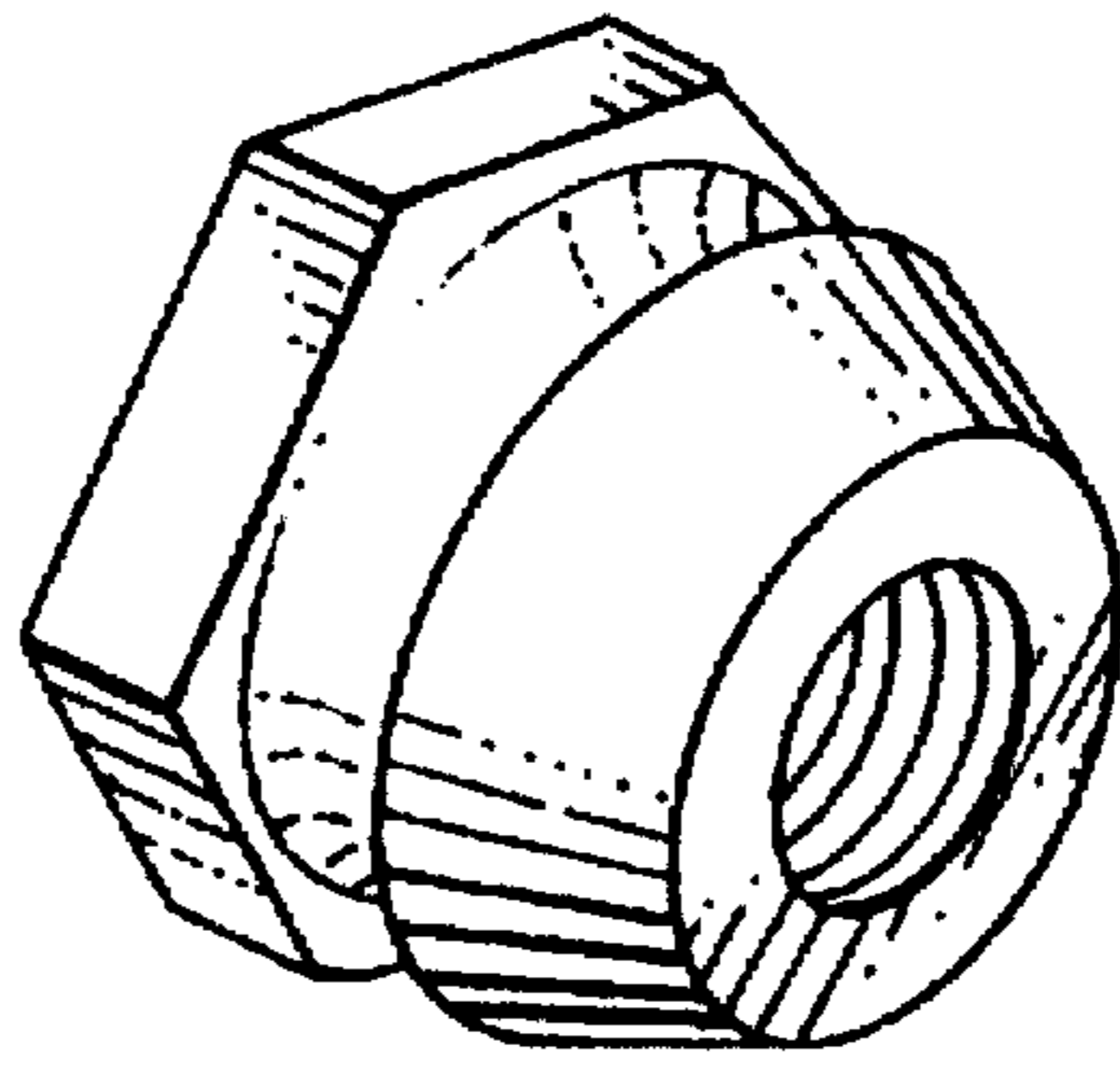


FIG. 1

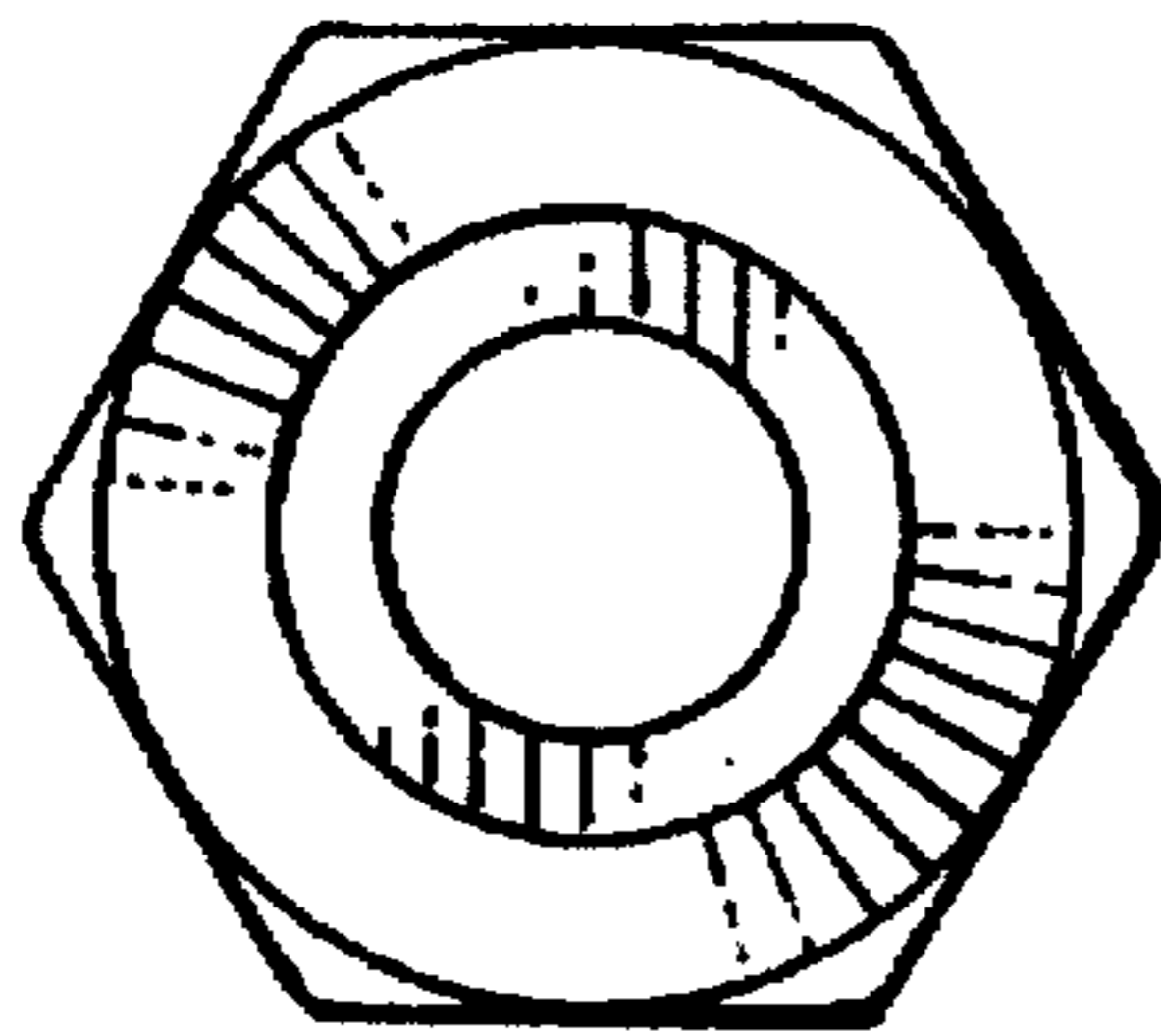


FIG. 2

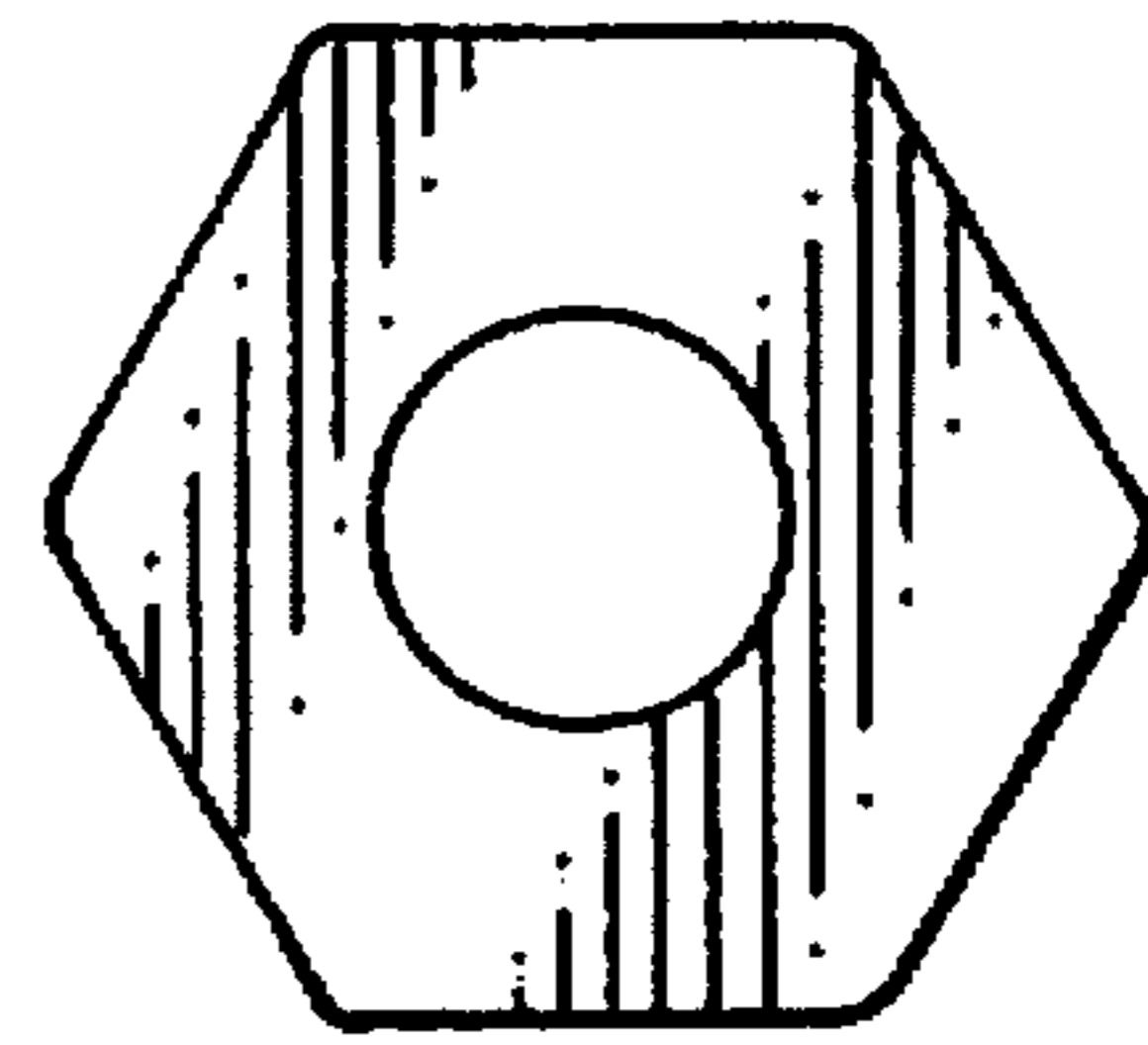


FIG. 3

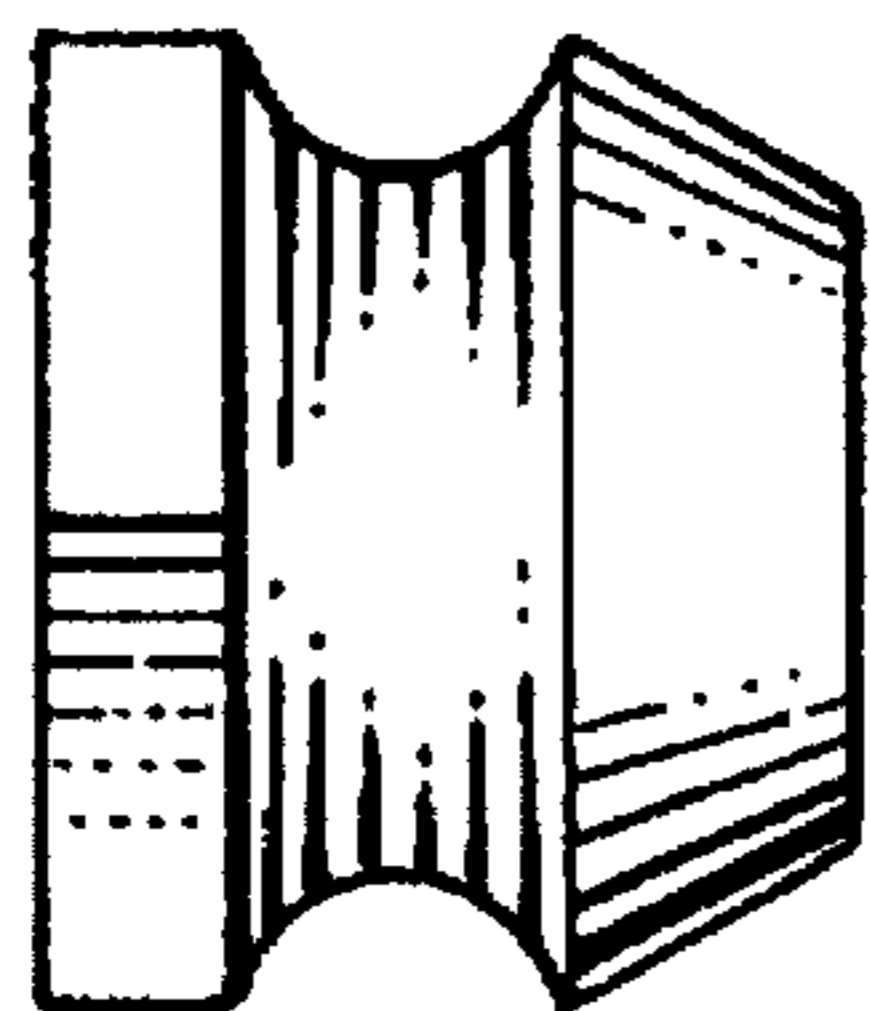


FIG. 4

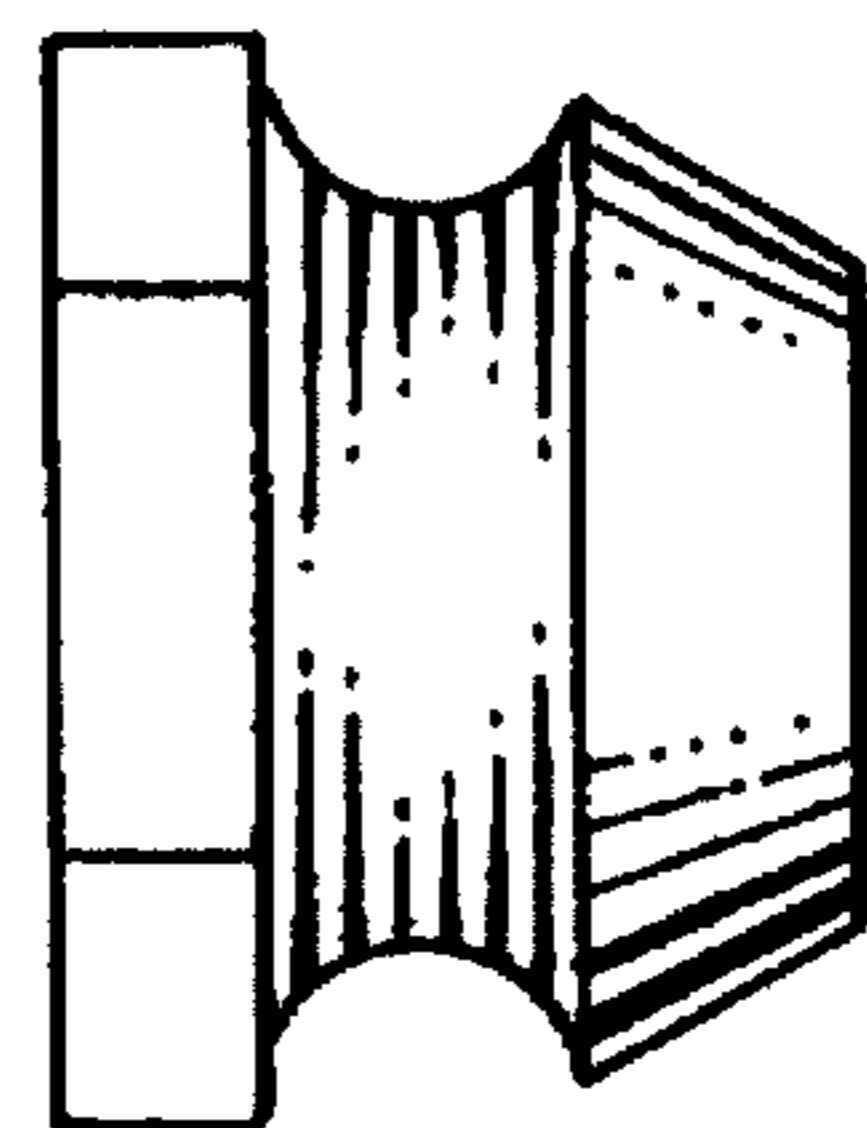


FIG. 5