



US00D385775S

United States Patent [19]

[11] Patent Number: **Des. 385,775**

Reynard

[45] Date of Patent: ****Nov. 4, 1997**

[54] **SEMI-AUTOMATIC TWISTLOCK DEVICE FOR CLAMPING A CONTAINER TO A LOADING PLATFORM**

4,092,040	5/1978	Tatina	248/503 X
4,626,155	12/1986	Hlinsky et al.	410/82
4,697,967	10/1987	Schultz	410/82
5,062,752	11/1991	Takaguchi	24/287 X
5,160,224	11/1992	Schweibert	410/82
5,356,249	10/1994	Hove	410/83

[76] Inventor: **Kenneth Reynard**, 13D Crofheads, Sowerby, Thirks YO7 RSK, Great Britain

Primary Examiner—Holly Baynham
Attorney, Agent, or Firm—Madson & Metcalf

[**] Term: **14 Years**

[57] CLAIM

[21] Appl. No.: **46,522**

Ornamental design for the semi-automatic twistlock device for clamping a container to a loading platform, as shown.

[22] Filed: **Nov. 17, 1995**

DESCRIPTION

[30] Foreign Application Priority Data

May 19, 1995 [GB] United Kingdom 2047605

FIG. 1 is a top view shown in a locked position;
FIG. 2 is a bottom view shown in a locked position;
FIG. 3 is a front view shown in a locked position;
FIG. 4 is a side view shown in a locked position with the opposite side being a mirror image;
FIG. 5 is a top view shown in an unlocked position;
FIG. 6 is a bottom view shown in an unlocked position;
FIG. 7 is a front view shown in an unlocked position; and,
FIG. 8 is a side view in an unlocked position with the opposite side being a mirror image.

[51] LOC (6) Cl. **08-05**

[52] U.S. Cl. **D8/354**

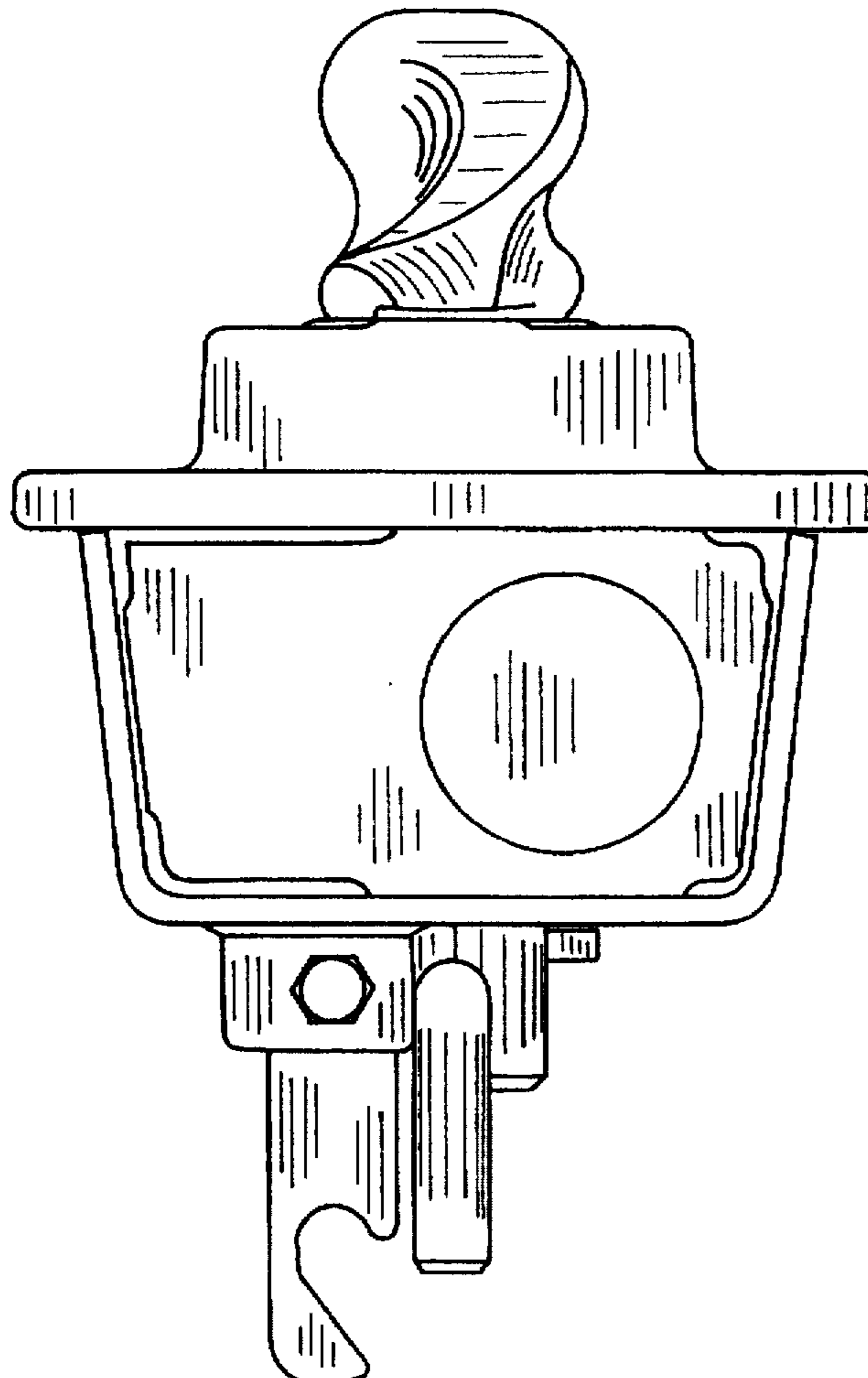
[58] Field of Search D8/349, 354, 382;
248/499, 503; 410/82; 24/287, 265 CD,
115 K, 68 CD

[56] References Cited

U.S. PATENT DOCUMENTS

4,026,596 5/1977 Carr 410/82

1 Claim, 8 Drawing Sheets



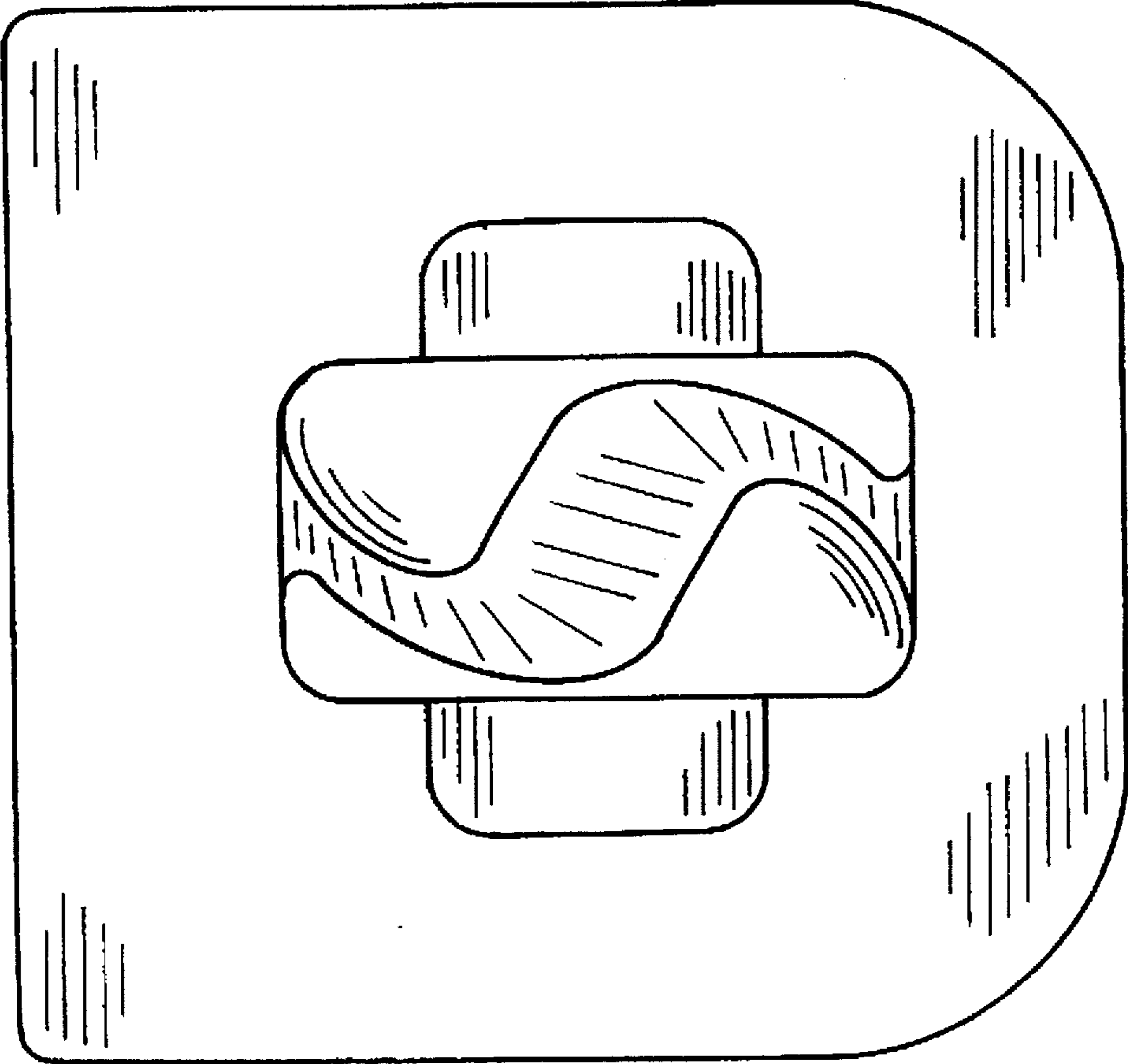


FIGURE 1

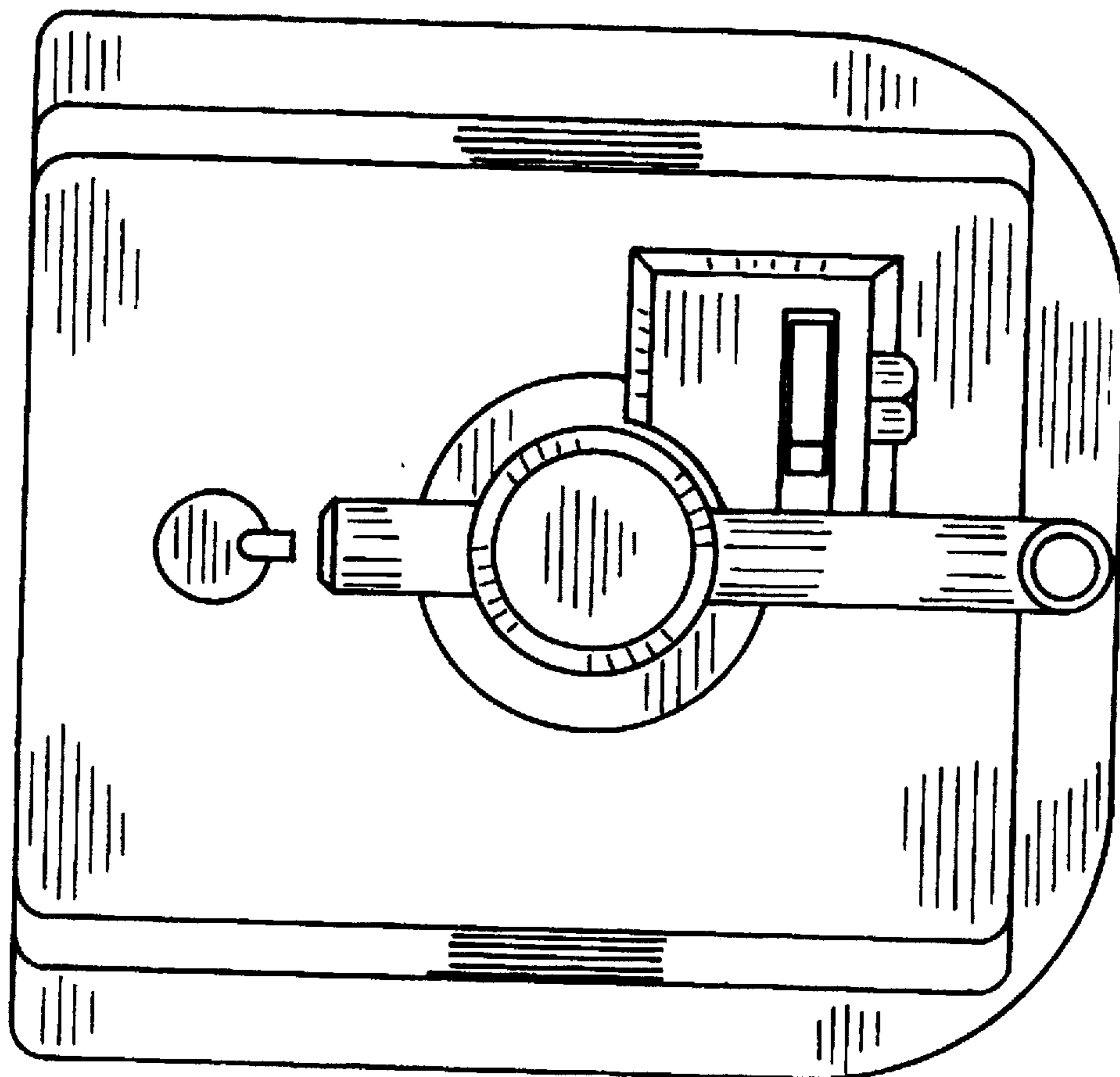


FIGURE 2

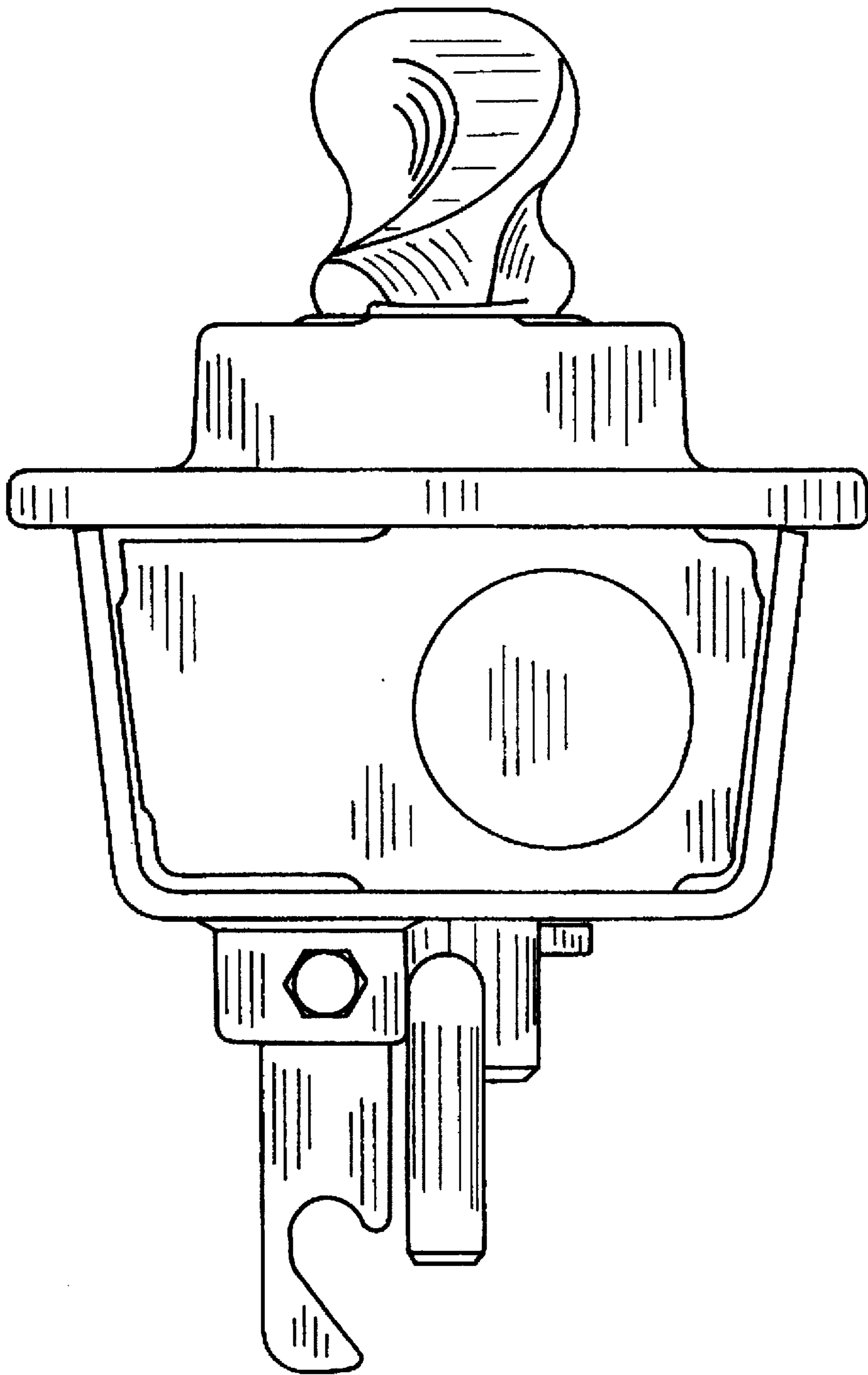


FIGURE 3

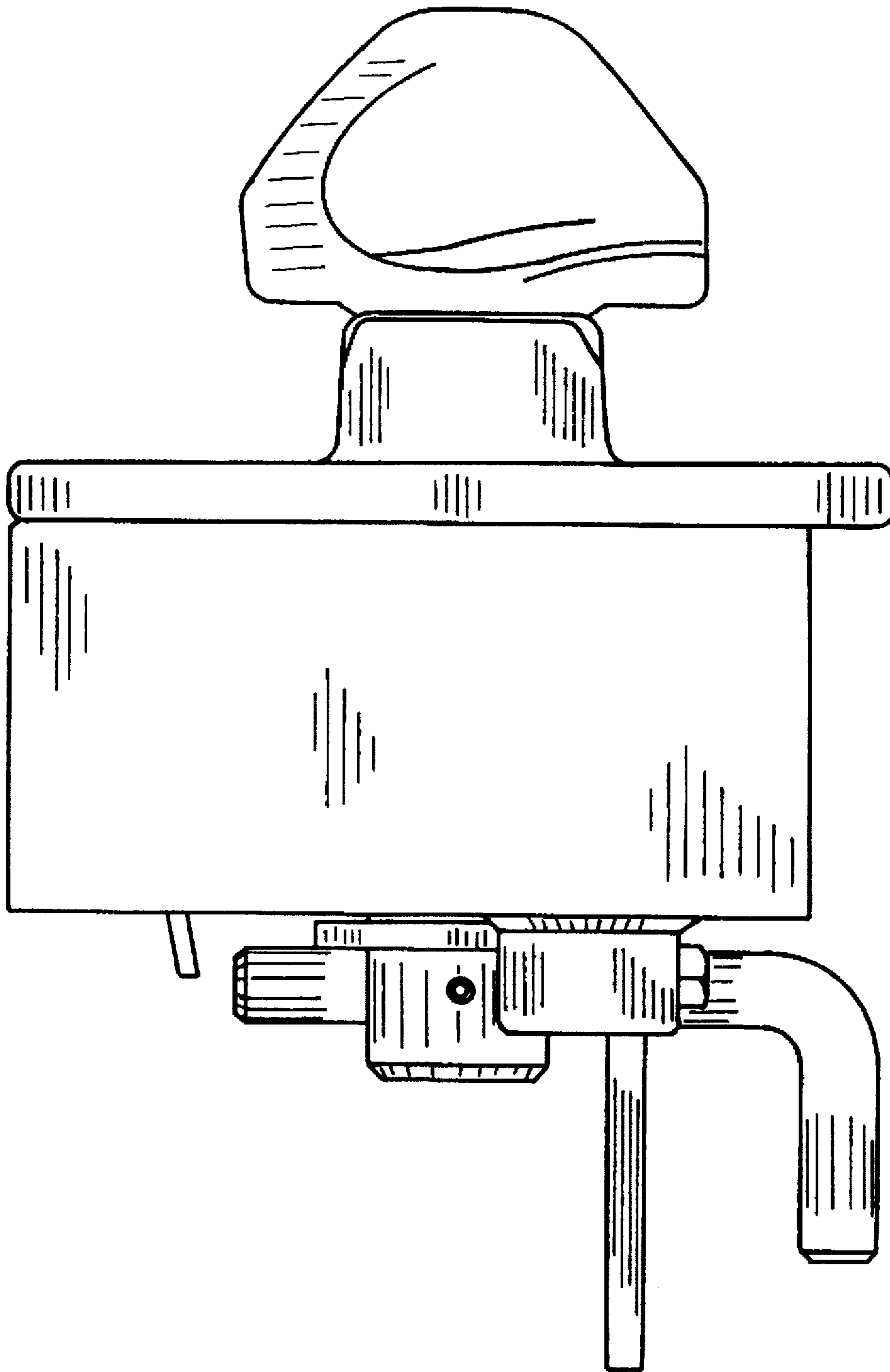


FIGURE 4

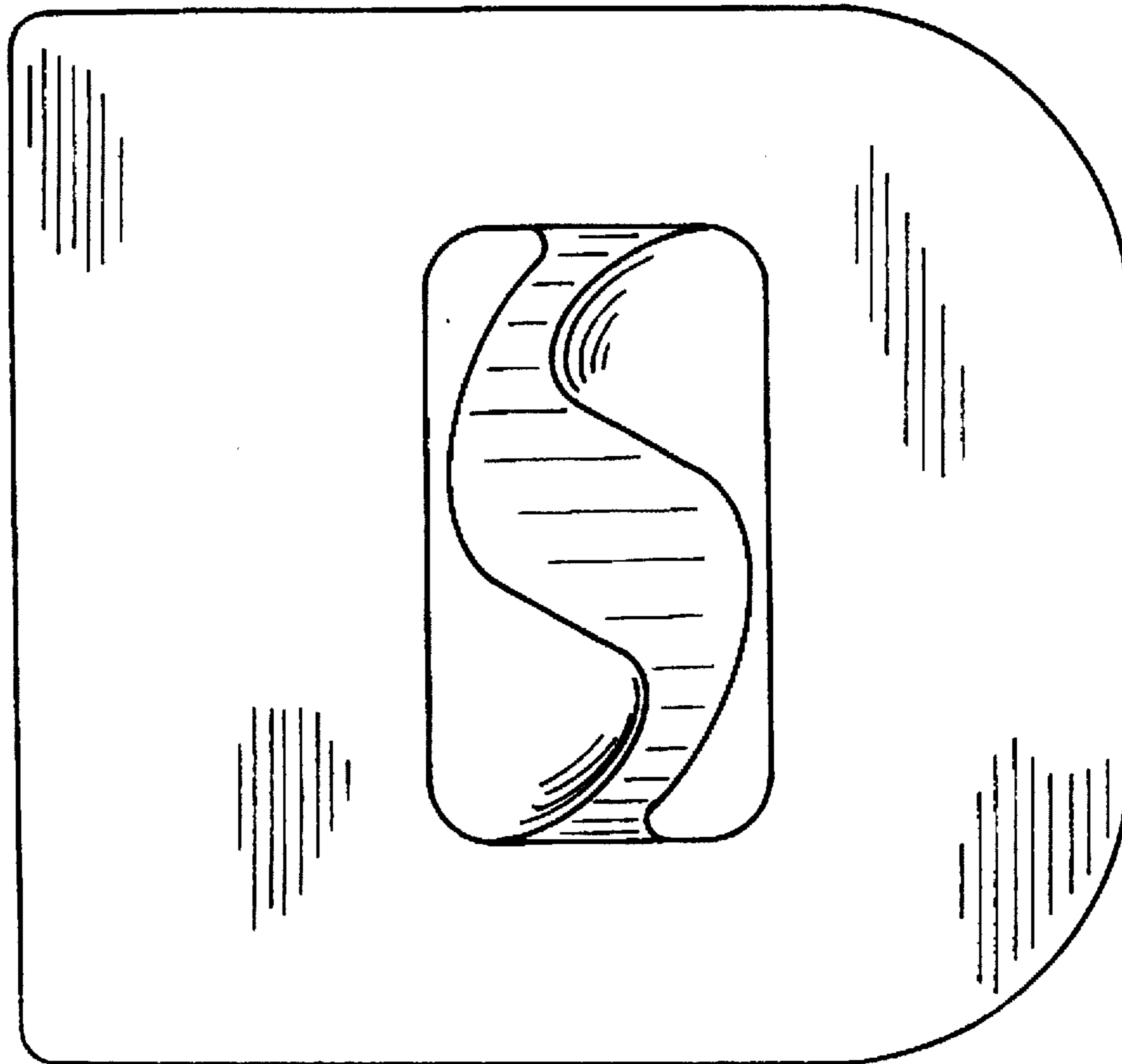


FIGURE 5

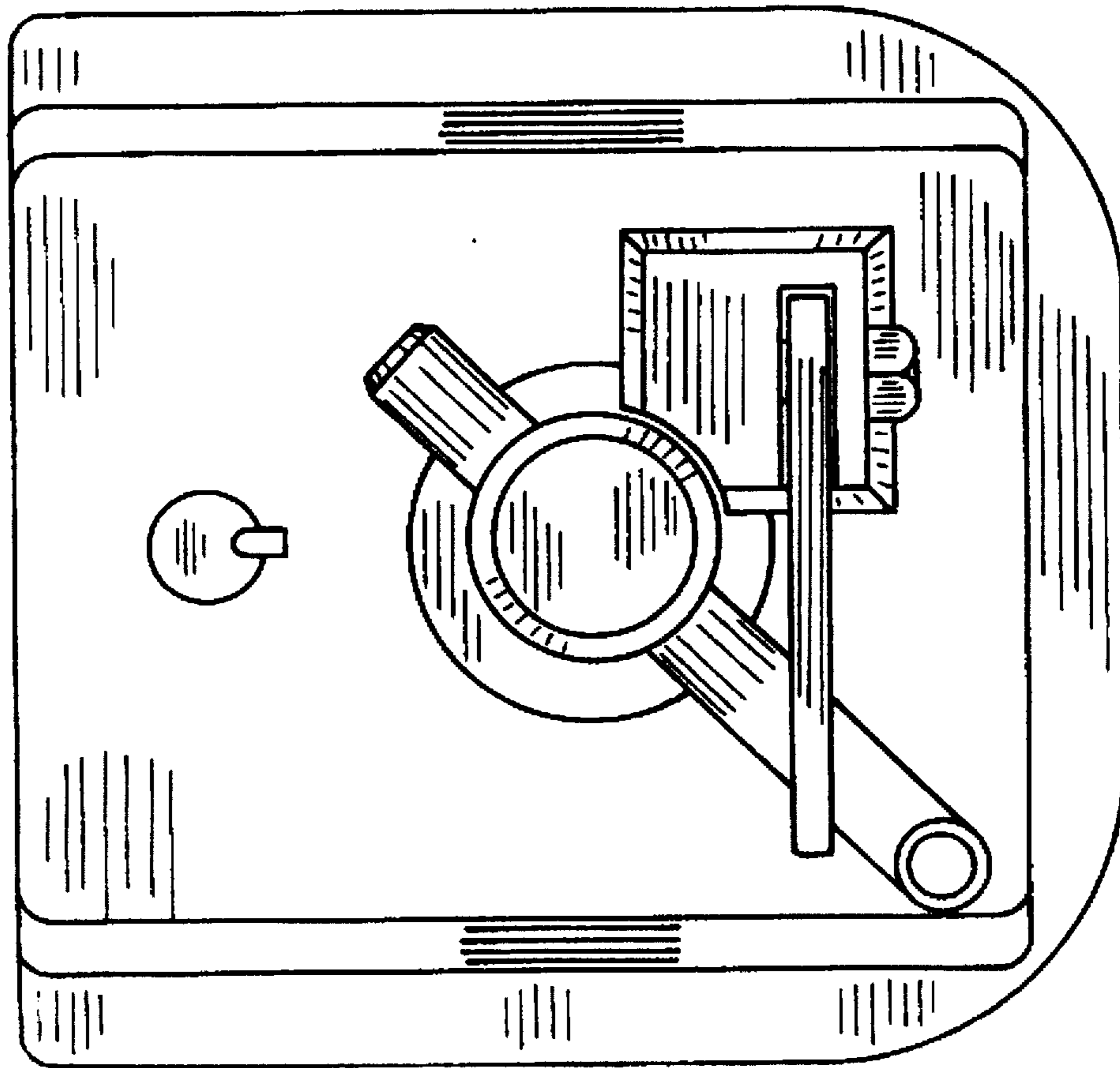


FIGURE 6

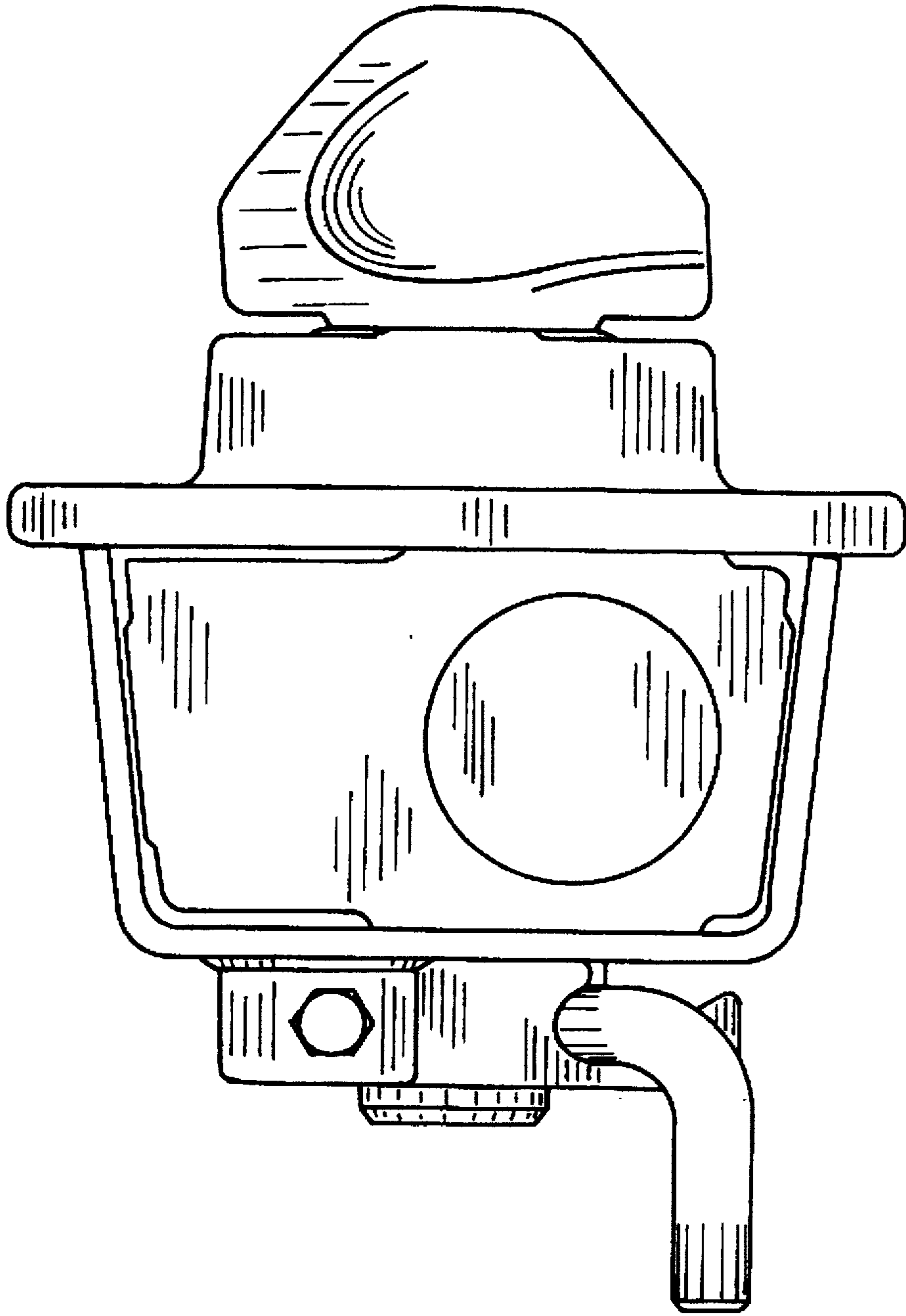


FIGURE 7

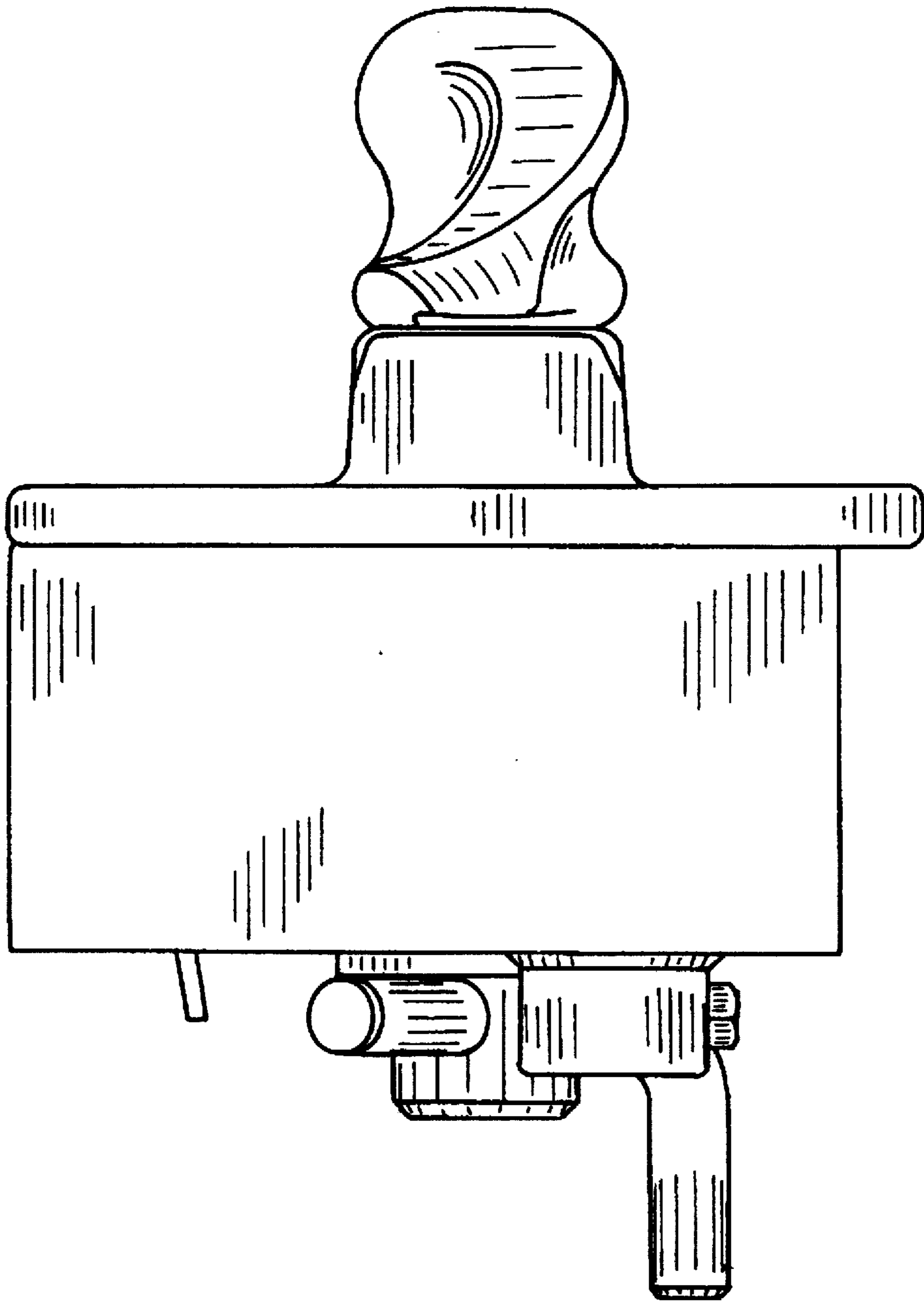


FIGURE 8