



US00D385773S

United States Patent [19] Wang

[11] Patent Number: **Des. 385,773**

[45] Date of Patent: ****Nov. 4, 1997**

[54] **GEAR SHIFT LEVER LOCK**

4,995,250 2/1991 Chiou 70/238
5,325,688 7/1994 Jaw-Jia 70/238 X

[76] Inventor: **Ching-Rong Wang**, No. 30, Lane 139,
Sec. 4, Ho-Wei Rd., Tainan City,
Taiwan

Primary Examiner—Brian N. Vinson
Attorney, Agent, or Firm—Joseph W. Berenato, III

[**] Term: **14 Years**

[57] **CLAIM**

[21] Appl. No.: **51,674**

The ornamental design for gear shift lever lock, as shown and described.

[22] Filed: **Mar. 15, 1996**

DESCRIPTION

[51] LOC (6) Cl. **08-07**

FIG. 1 is a perspective view of gear shift lever lock showing my new design;

[52] U.S. Cl. **D8/339**

FIG. 2 is a front elevational view thereof;

[58] Field of Search D8/330-331, 333,
D8/339, 343, 346; 70/207-211, 214-215,
225-226, 237-238

FIG. 3 is a rear elevational view thereof;

FIG. 4 is a left side elevational view thereof;

FIG. 5 is a right side elevational view thereof;

FIG. 6 is a top plan view thereof; and,

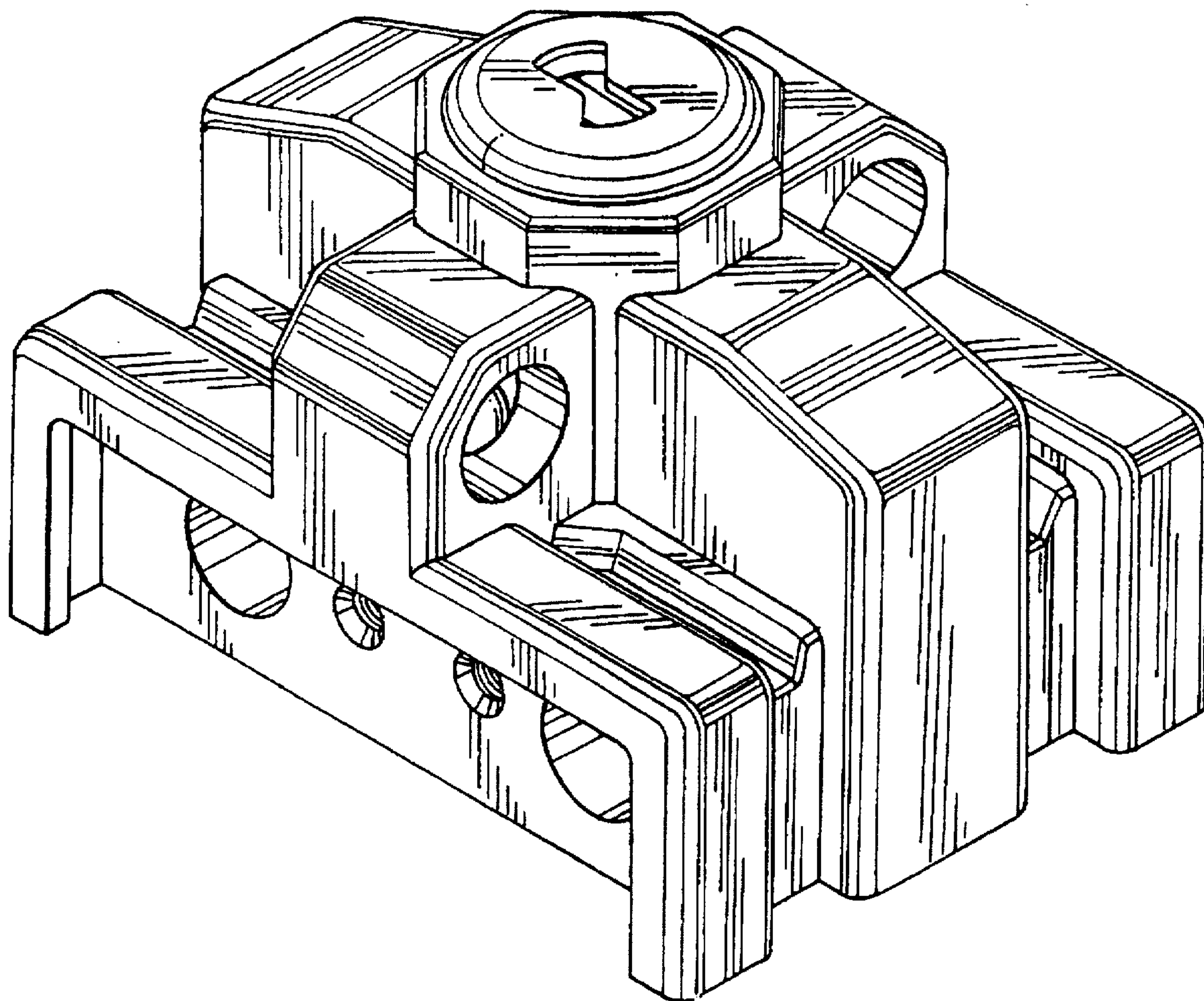
FIG. 7 is a bottom plan view thereof.

[56] **References Cited**

U.S. PATENT DOCUMENTS

D. 368,645 4/1996 Chen D8/331

1 Claim, 4 Drawing Sheets



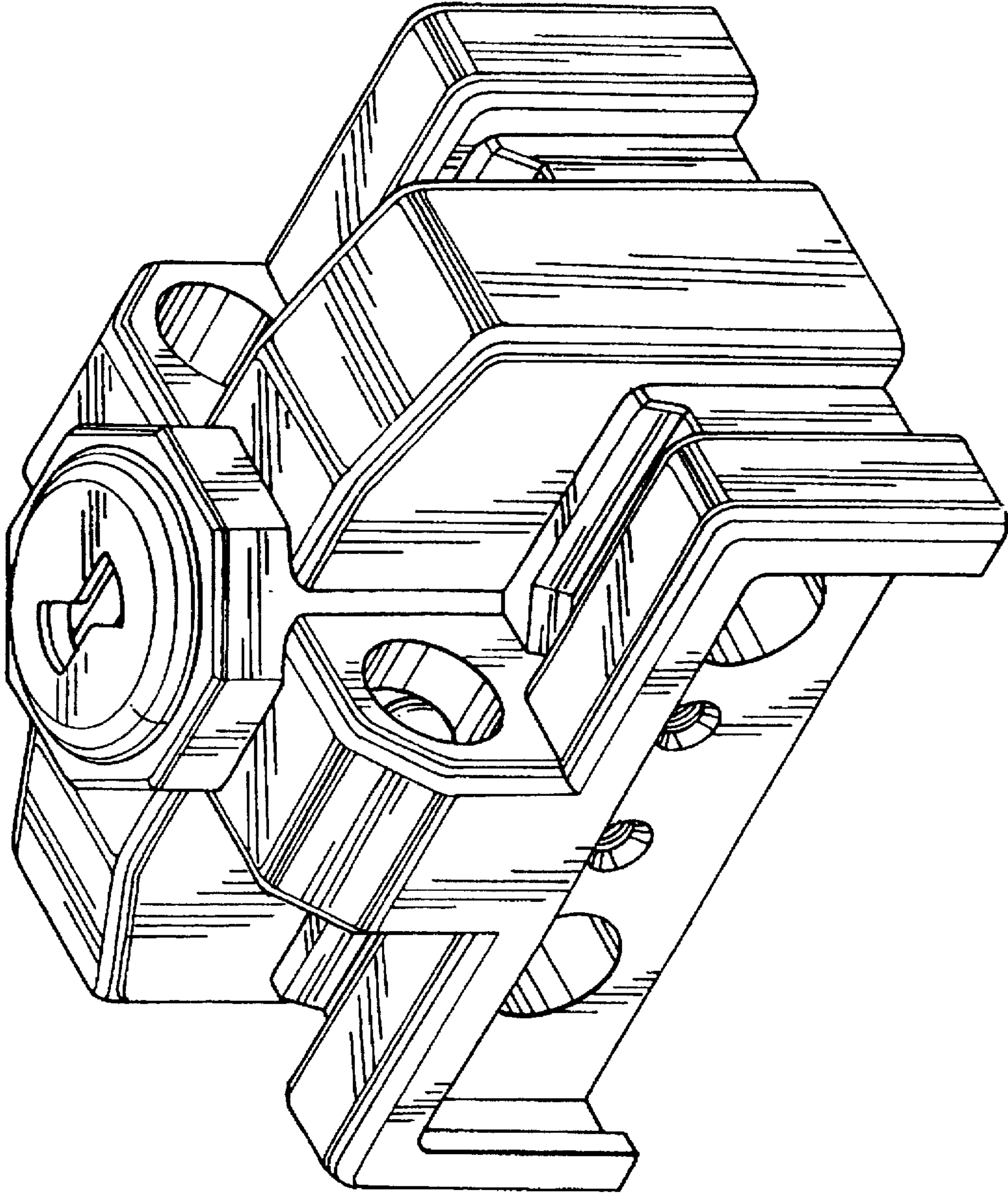


FIG. 1

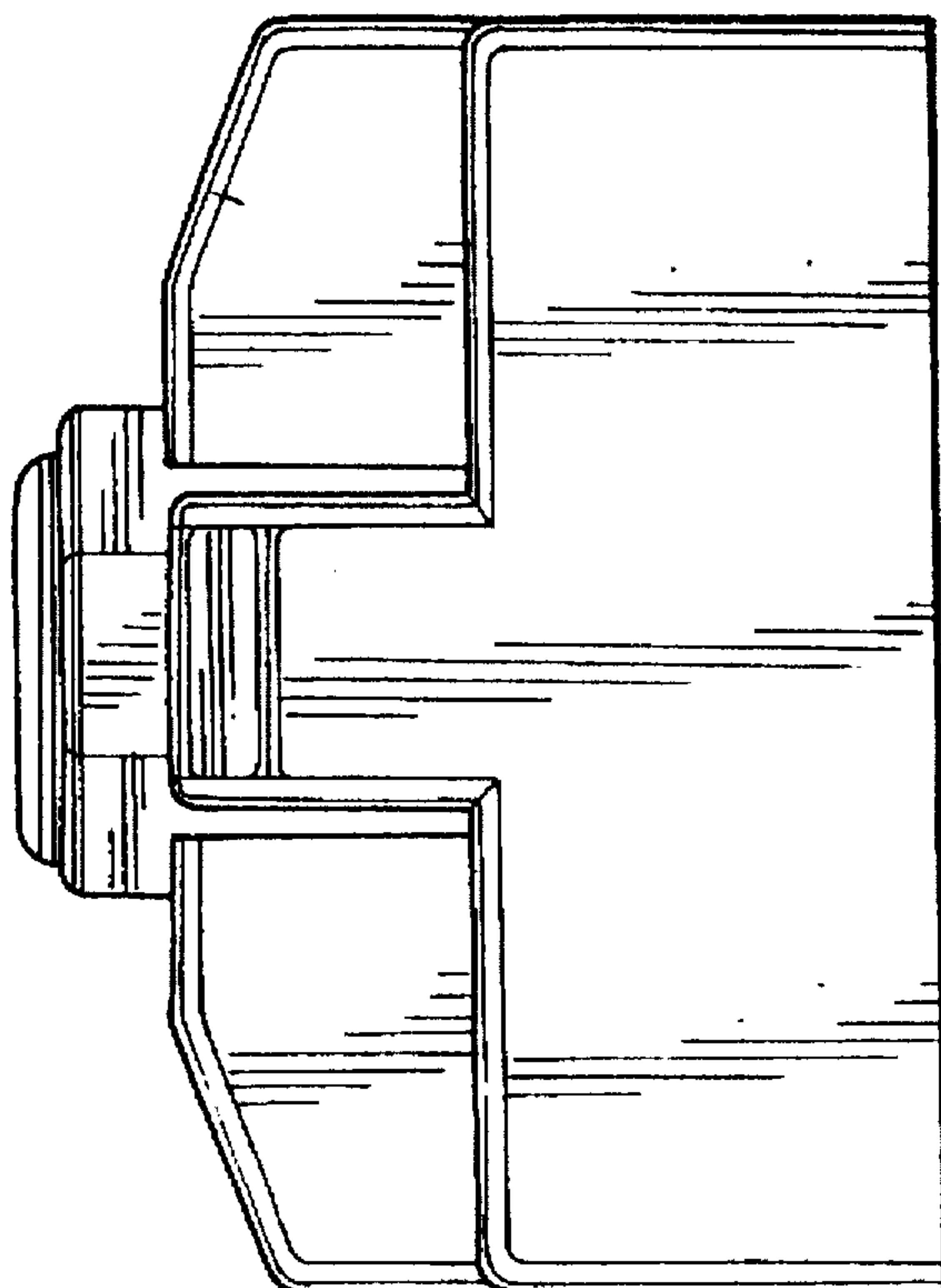


FIG. 3

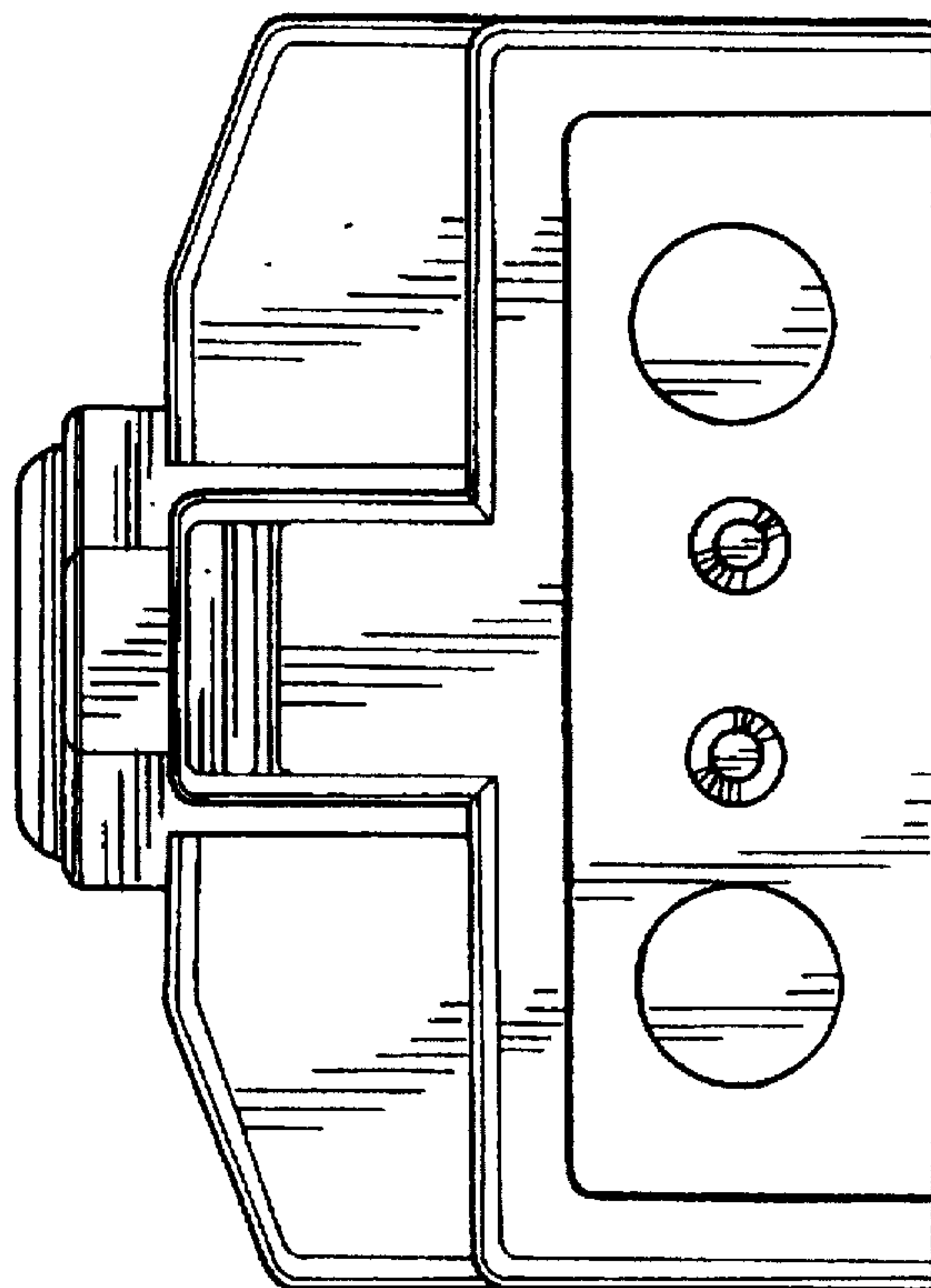


FIG. 2

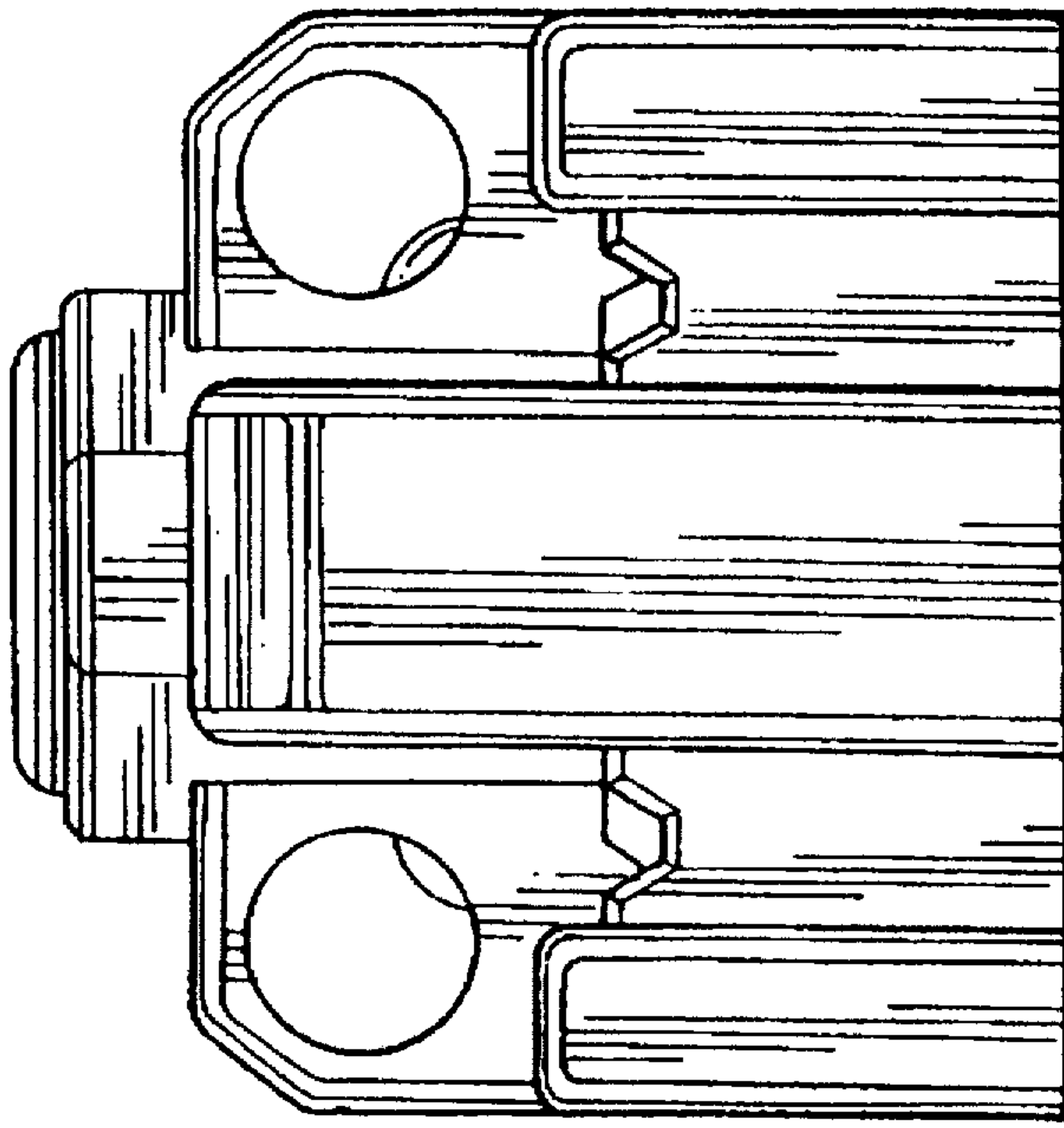


FIG. 5

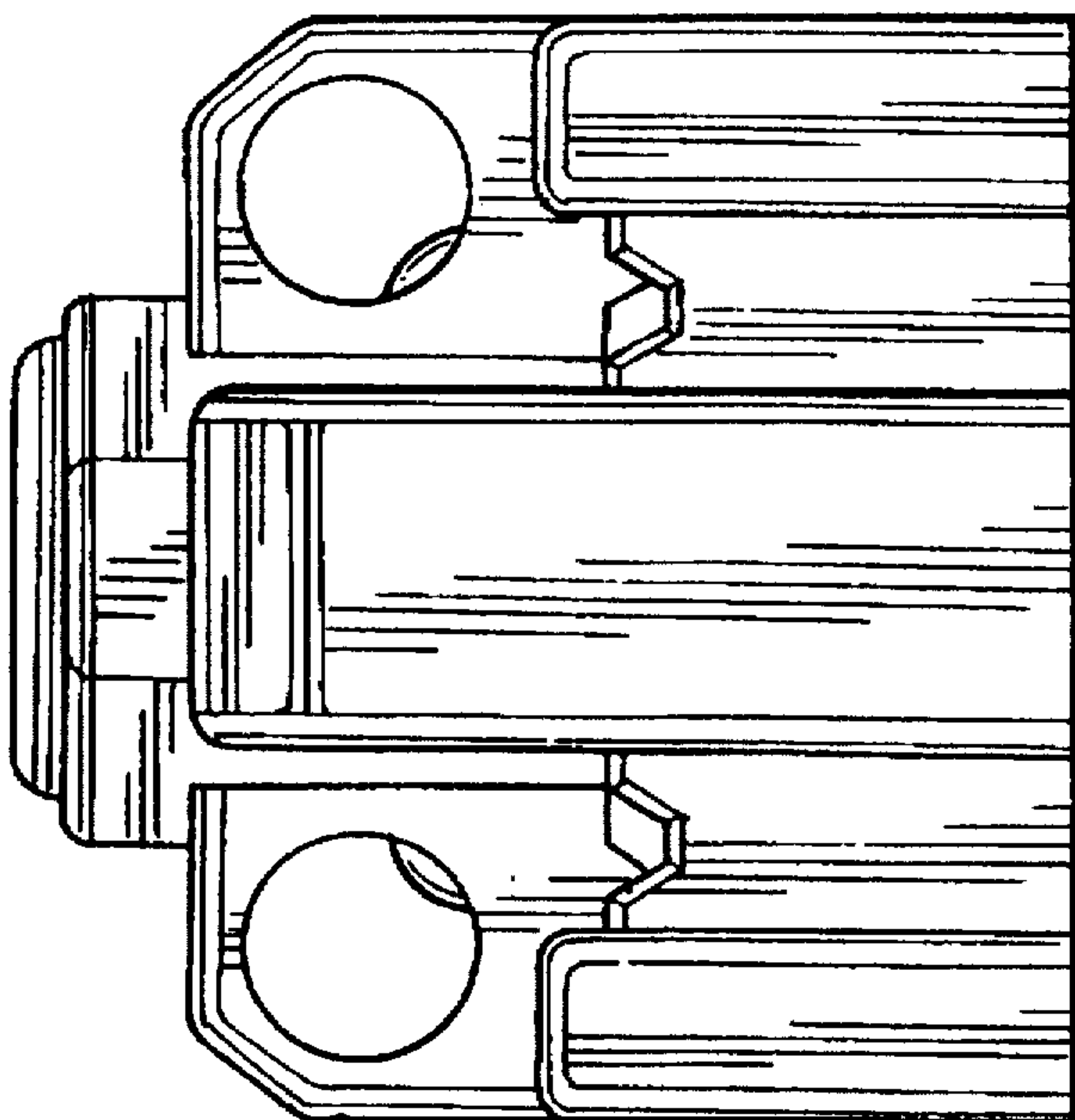


FIG. 4

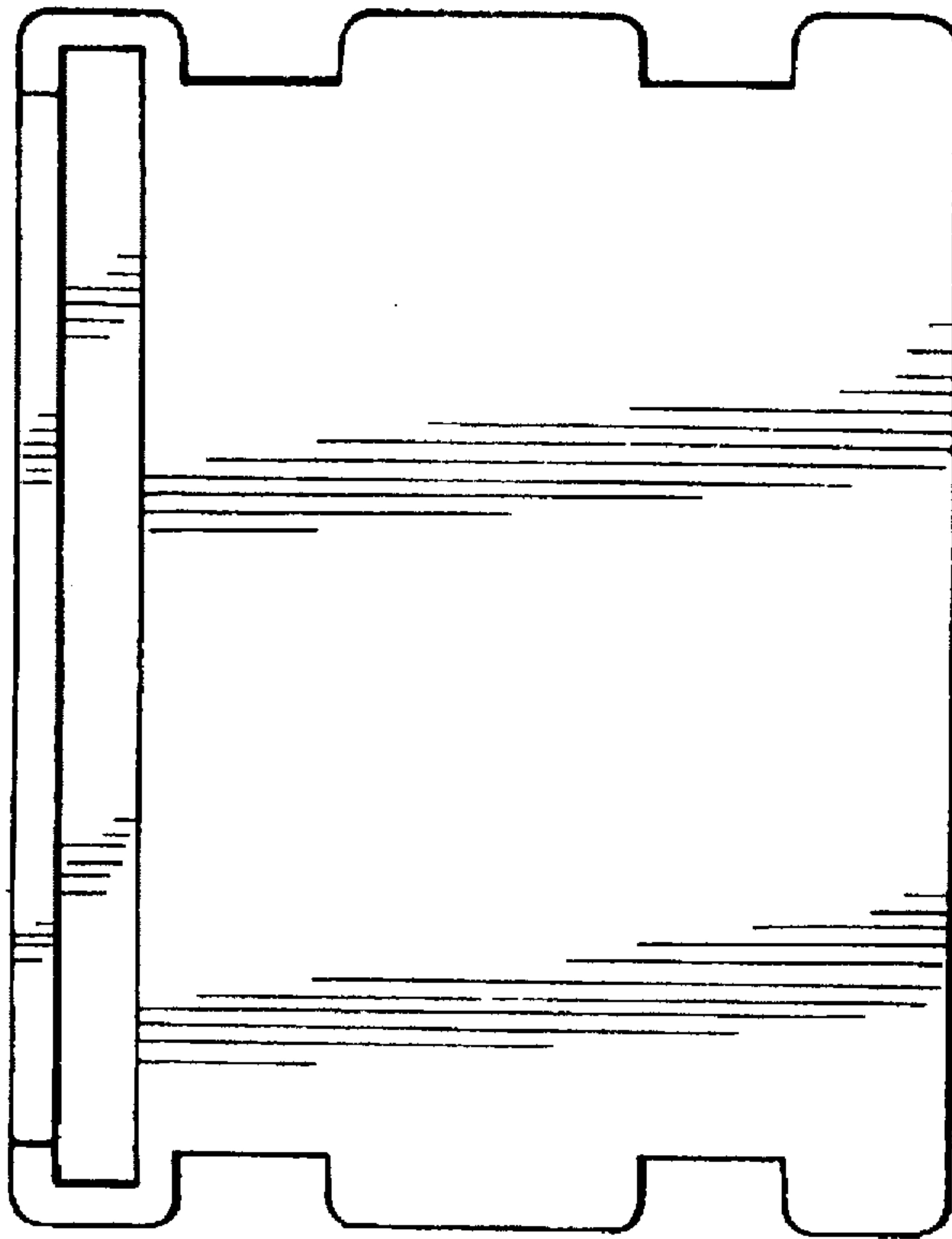


FIG. 7

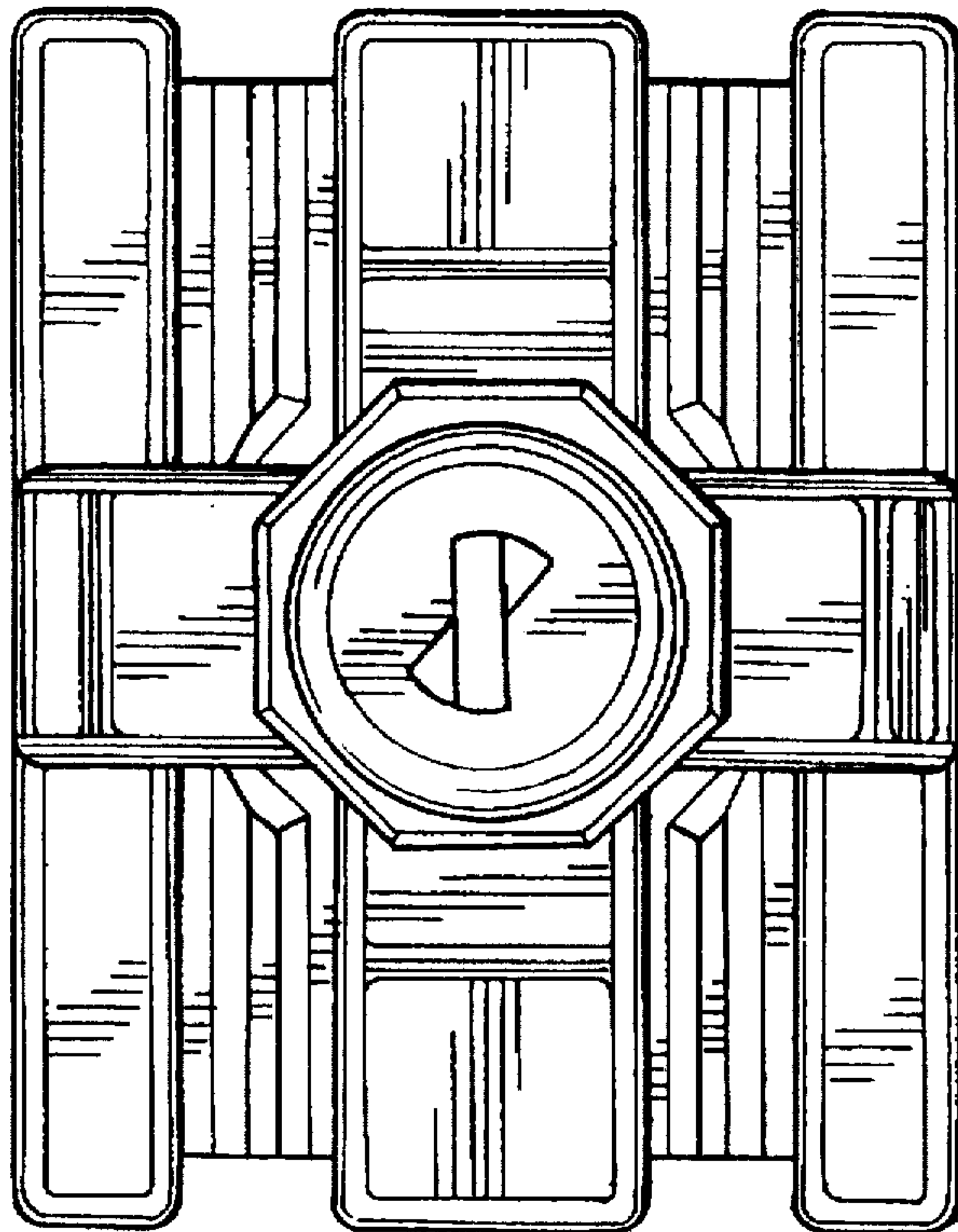


FIG. 6