

US00D385768S

# United States Patent [19]

Nutter et al.

[11] Patent Number: Des. 385,768

[45] Date of Patent: \*\*Nov. 4, 1997

[54] HANDLE

[75] Inventors: Curtis F. Nutter, Anoka, Minn.; Jim L. Myers, Decorah, Iowa

[73] Assignee: Federal-Hoffman, Inc., Anoka, Minn.

[\*\*] Term: 14 Years

[21] Appl. No.: 35,623

[22] Filed: Mar. 3, 1995

[51] LOC (6) Cl. .... 08-06

[52] U.S. Cl. .... D8/308

[58] Field of Search ..... D8/301, 308; 292/DIG. 27, 292/DIG. 30; 74/523; 70/210; 16/118 R, 114 R

### [56] References Cited

#### U.S. PATENT DOCUMENTS

D. 131,217	1/1942	Braun	.....	D8/308
D. 197,050	12/1963	Orenstein	.....	D8/308
D. 332,904	2/1993	Plummer et al.	.....	D8/308

#### OTHER PUBLICATIONS

P. 502 of Hoffman Engineering Company Specifier's Guide, 1995-1996, showing lock kits for enclosures and junction boxes.

Pp. 574-575 of Hoffman Engineering Company Specifier's Guide, 1995-1996, showing handles, latches and clamps for use on Hoffman custom enclosures ©1995.

Cover page of a DECO brochure, dated Apr., 1993, showing a latch handle.

Primary Examiner—B. J. Bullock

Attorney, Agent, or Firm—Merchant, Gould, Smith, Edell, Welter & Schmidt

### [57] CLAIM

The ornamental design for a "handle", as shown and described.

### DESCRIPTION

FIG. 1 is a front elevational view of a handle according to the principle of the present invention;

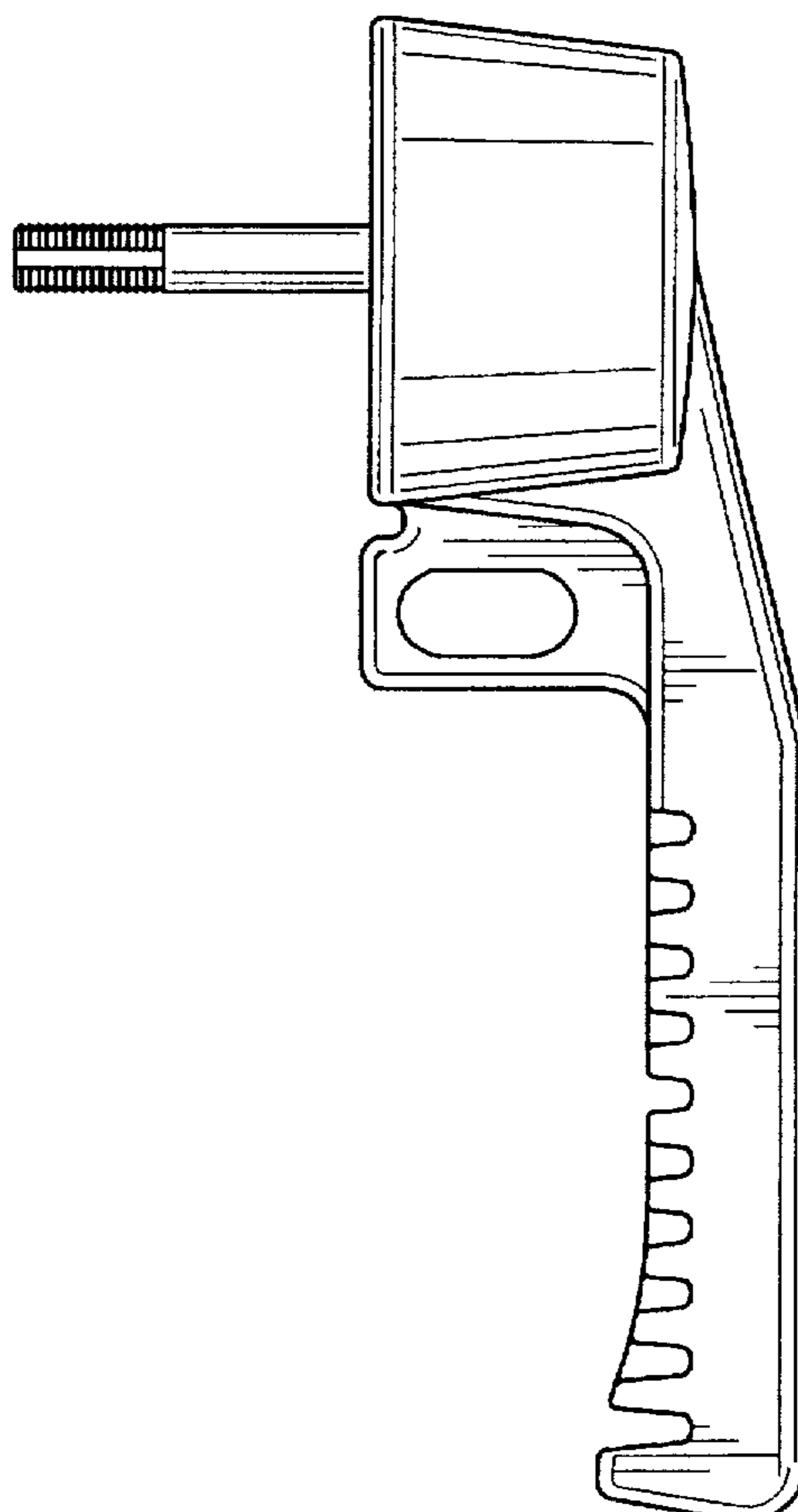
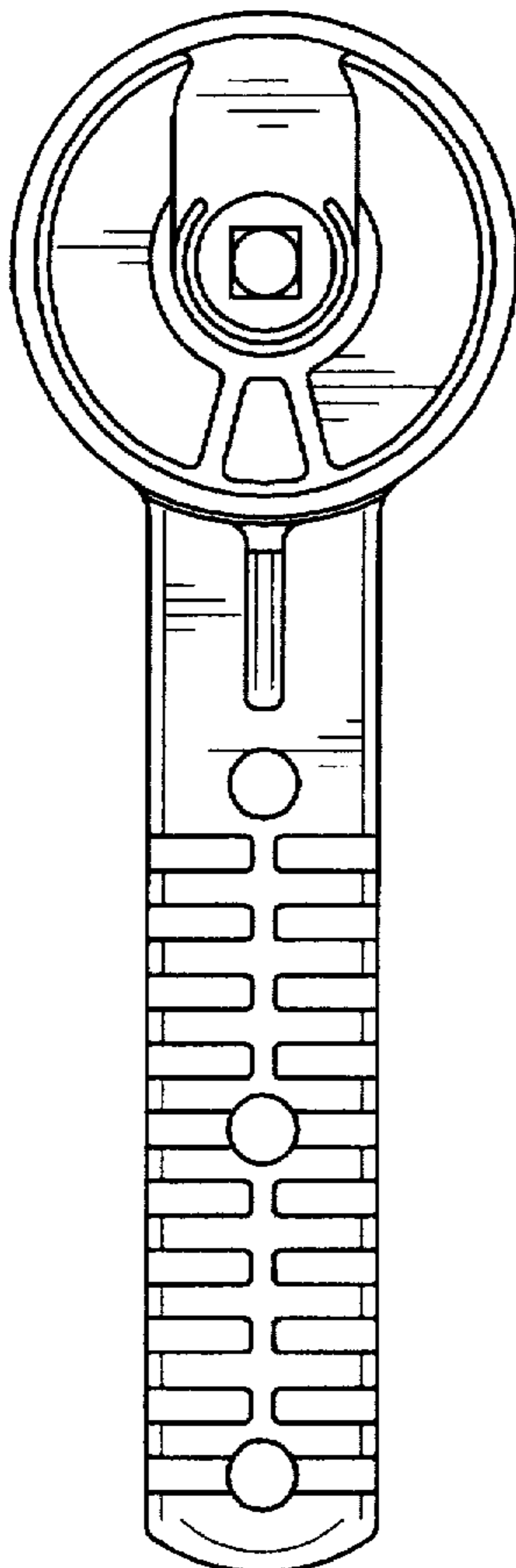
FIG. 2 is a rear elevational view thereof;

FIG. 3 is a left side elevational view thereof, a right side elevational view not being shown, as it is substantially a mirror image of the left side elevational view;

FIG. 4 is a bottom plan view thereof; and,

FIG. 5 is a top plan view thereof.

1 Claim, 2 Drawing Sheets



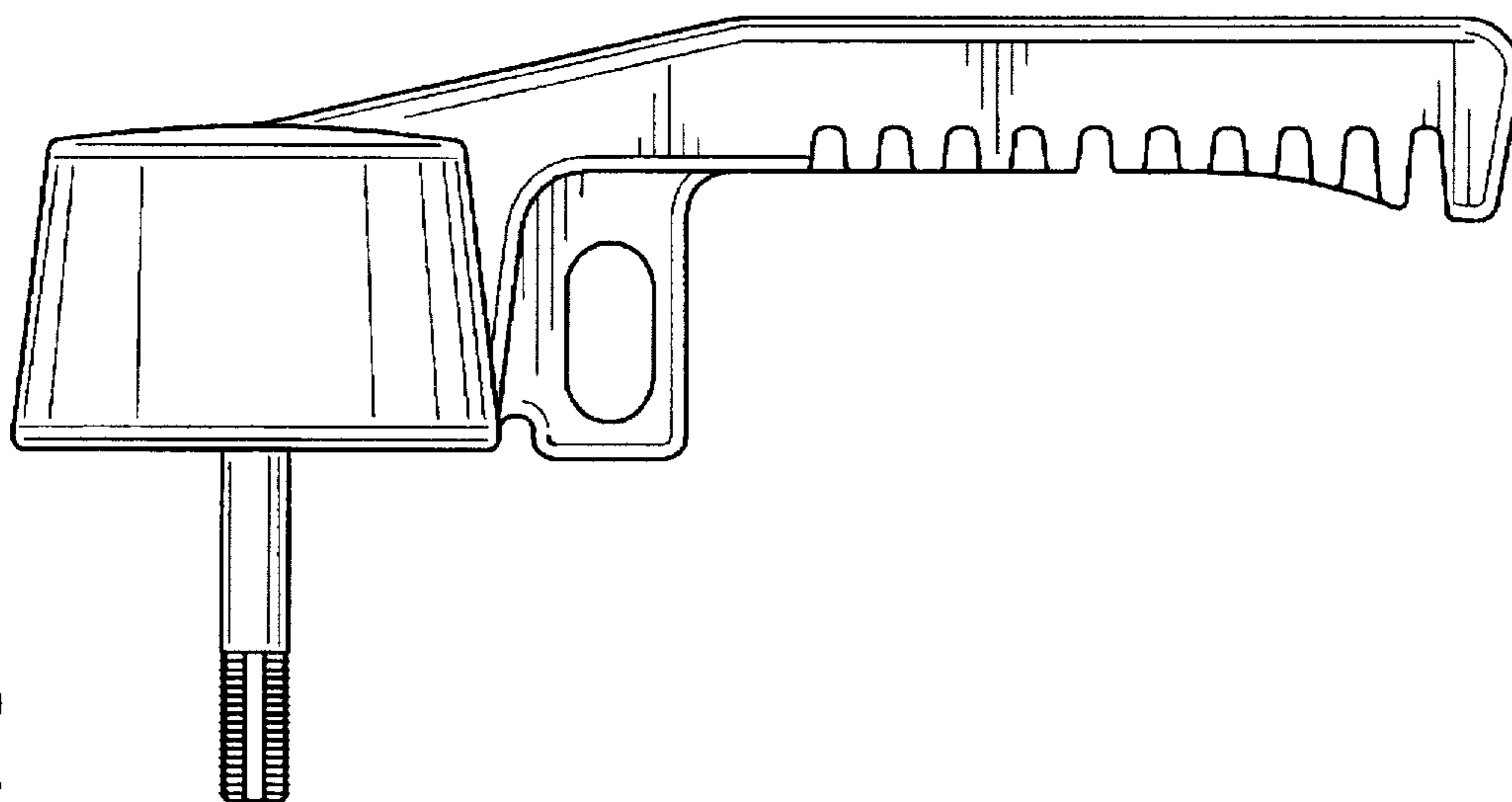


FIG. 3

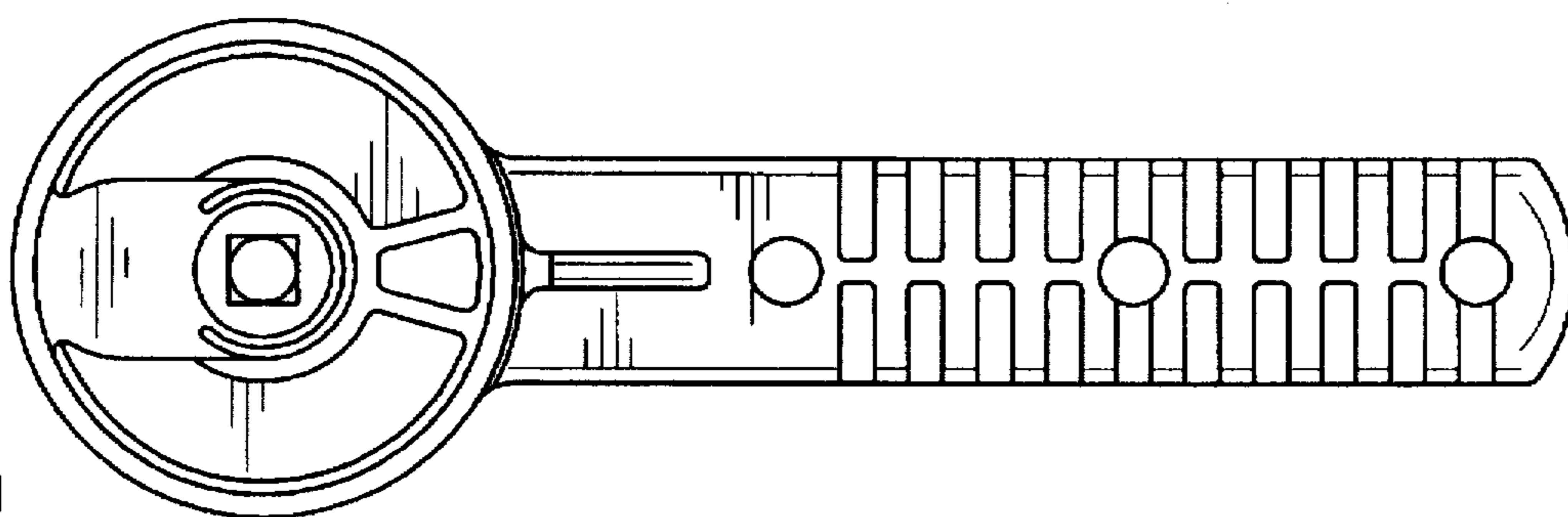


FIG. 2

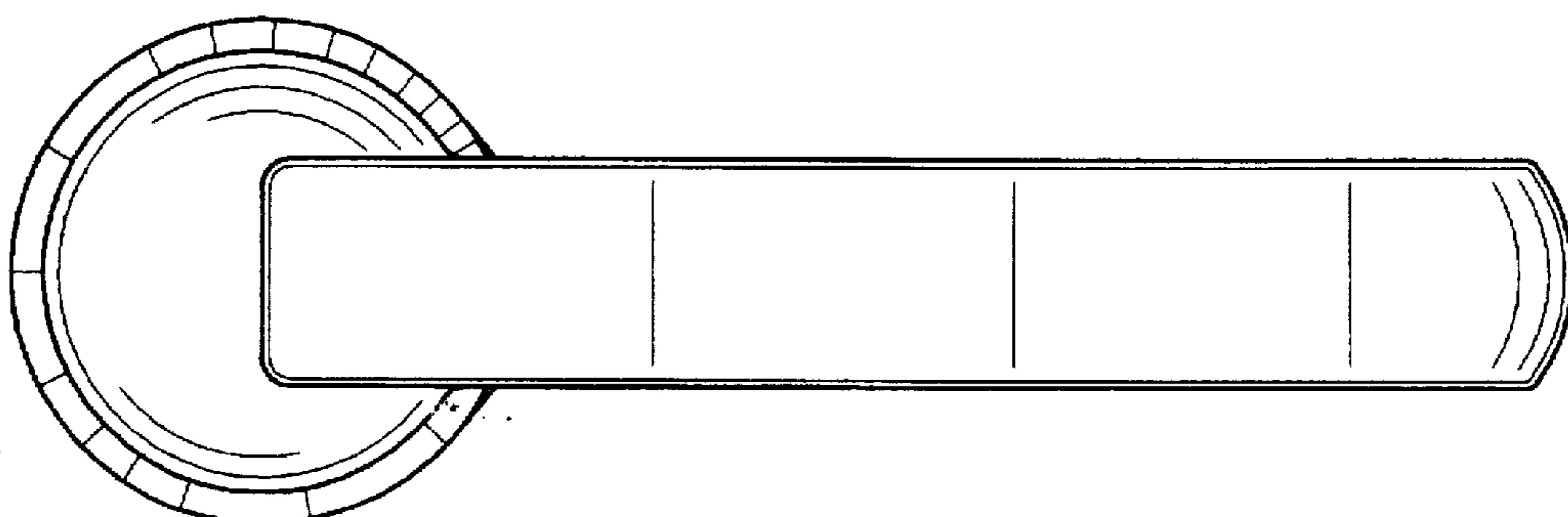


FIG. 1

FIG. 4

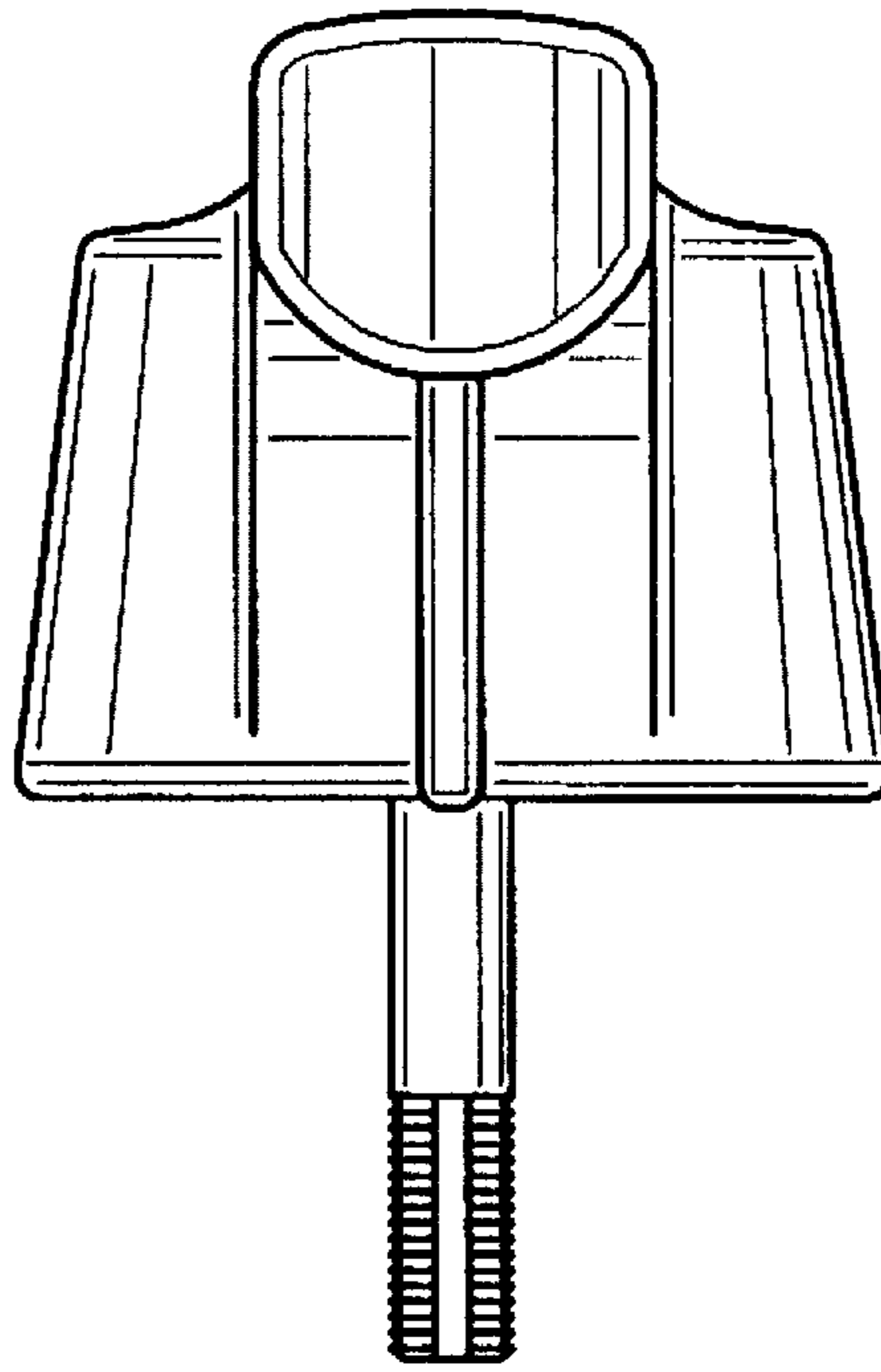


FIG. 5

