



US00D385767S

# United States Patent [19]

[11] Patent Number: **Des. 385,767**

Sorensen et al.

[45] Date of Patent: **\*\*\*Nov. 4, 1997**

[54] **FOLDING TOOL HANDLE**  
[75] Inventors: **Joseph A. Sorensen**, Lincoln; **Anthony B. Fuller**, DeWitt, both of Nebr.

4,269,311 5/1981 Rich ..... 206/234  
4,384,499 5/1983 Schockley ..... 81/440  
4,759,645 7/1988 Kuo ..... 384/396  
5,450,774 9/1995 Chang ..... 81/440

[73] Assignee: **American Tool Companies, Inc.**, Kenosha, Wis.

### OTHER PUBLICATIONS

[\*] Notice: The portion of the term of this patent subsequent to Sep. 2, 2011, has been disclaimed.

Time Motion Tools Catalog, 1993, p. 50, Allen Fold-Up Hex Key Set.

[\*\*] Term: **14 Years**

Proto Professional Tools Catalog, "Hex Wrench Sets," published by Proto Professional Tools, p. 124, 11A14, Dec., 1975.

[21] Appl. No.: **35,545**

American Tool Companies, Inc. catalog, "VISE-GRIP® QUICK-GRIP® Prosnip® Unibit® Catalog," published by American Tool Companies, Inc., pp. 23-25. The year of publication is believed to be 1994 based on the copyright notice. At the very least, it is believed that the catalog was published before the filing of the present application.

[22] Filed: **Mar. 1, 1995**

U.S. patent application Ser. No. 29/035,544 filed Mar. 1, 1995 by Sorensen et al.

[51] LOC (6) Cl. .... **08-03**

[52] U.S. Cl. .... **D8/107**

[58] Field of Search ..... D8/105, 107, 85, D8/29; 7/138, 165, 170, 118; 81/437, 438, 440, 124.4

*Primary Examiner*—Philip S. Hyder

*Attorney, Agent, or Firm*—Brinks Hofer Gilson & Lione

### [56] References Cited

### [57] CLAIM

#### U.S. PATENT DOCUMENTS

The ornamental design for a folding tool handle, as shown.

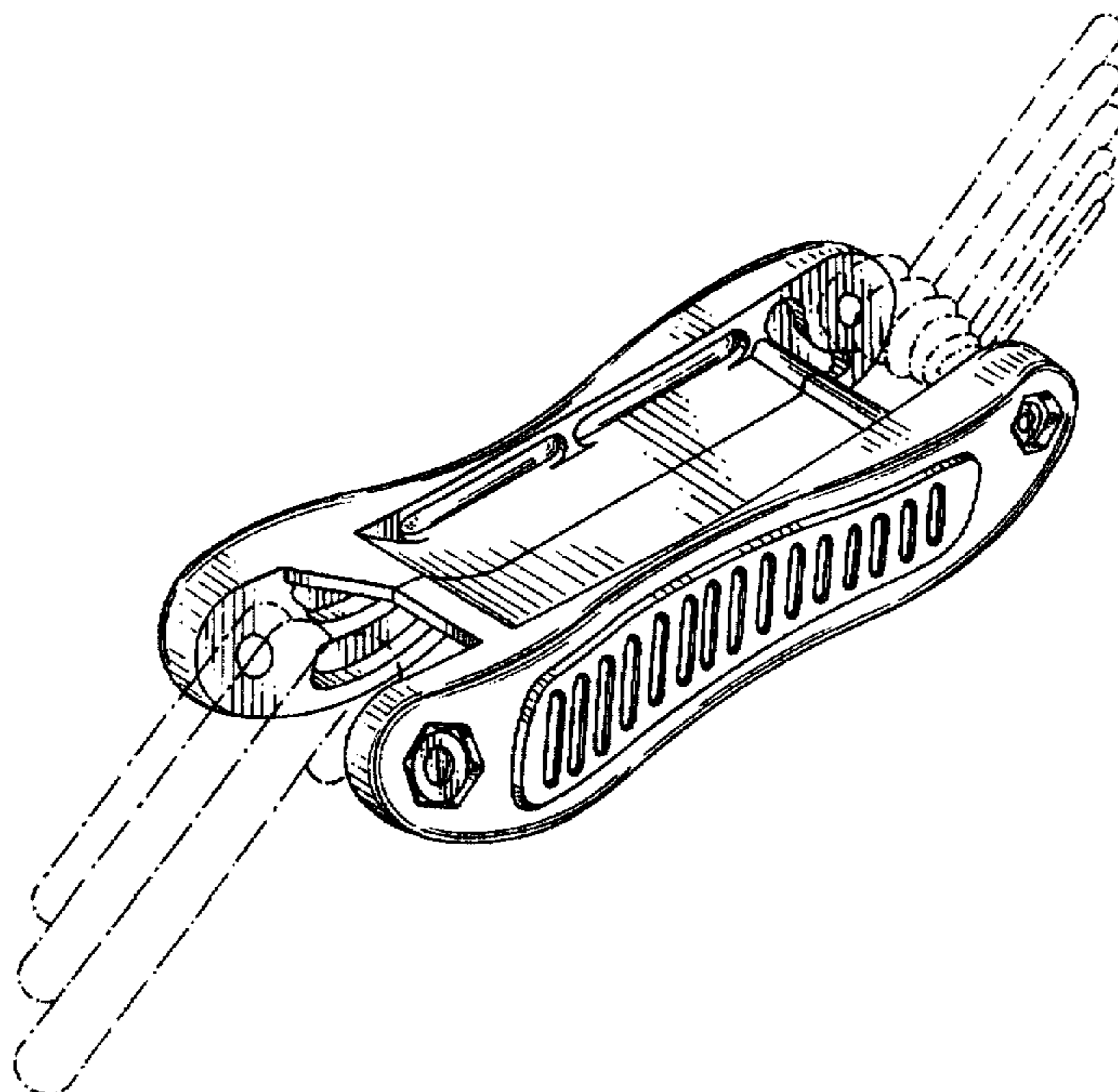
D. 148,422	1/1948	Kane	.....	D8/26
D. 156,677	12/1949	Smith	.	
D. 168,900	2/1953	Lutsker	.....	D8/29
D. 332,211	1/1993	Scott, III	.....	D8/105
D. 332,384	1/1993	Dagve	.....	D8/105
D. 342,433	12/1993	Sorenson	.....	D8/107
1,353,496	9/1920	Rosenberg	.	
2,473,758	6/1949	Maitlen	.	
2,475,268	7/1949	Wittle	.	
2,715,028	8/1955	Dossie	.	
2,786,380	3/1957	Rolland	.	
2,804,970	9/1957	Kuc et al.	.....	7/138
3,943,801	3/1976	Yates	.....	81/440
4,010,663	3/1977	Rydberg	.	

### DESCRIPTION

FIG. 1 is a front left perspective view of a folding tool handle which incorporates our invention; FIG. 2 is a top view thereof; FIG. 3 is a front view thereof; FIG. 4 is a right side view thereof; FIG. 5 is a left side view thereof; FIG. 6 is a bottom view thereof; and, FIG. 7 is a rear view thereof.

The broken line portions of the drawings are for illustrative purposes only and form no part of the claimed design.

**1 Claim, 2 Drawing Sheets**



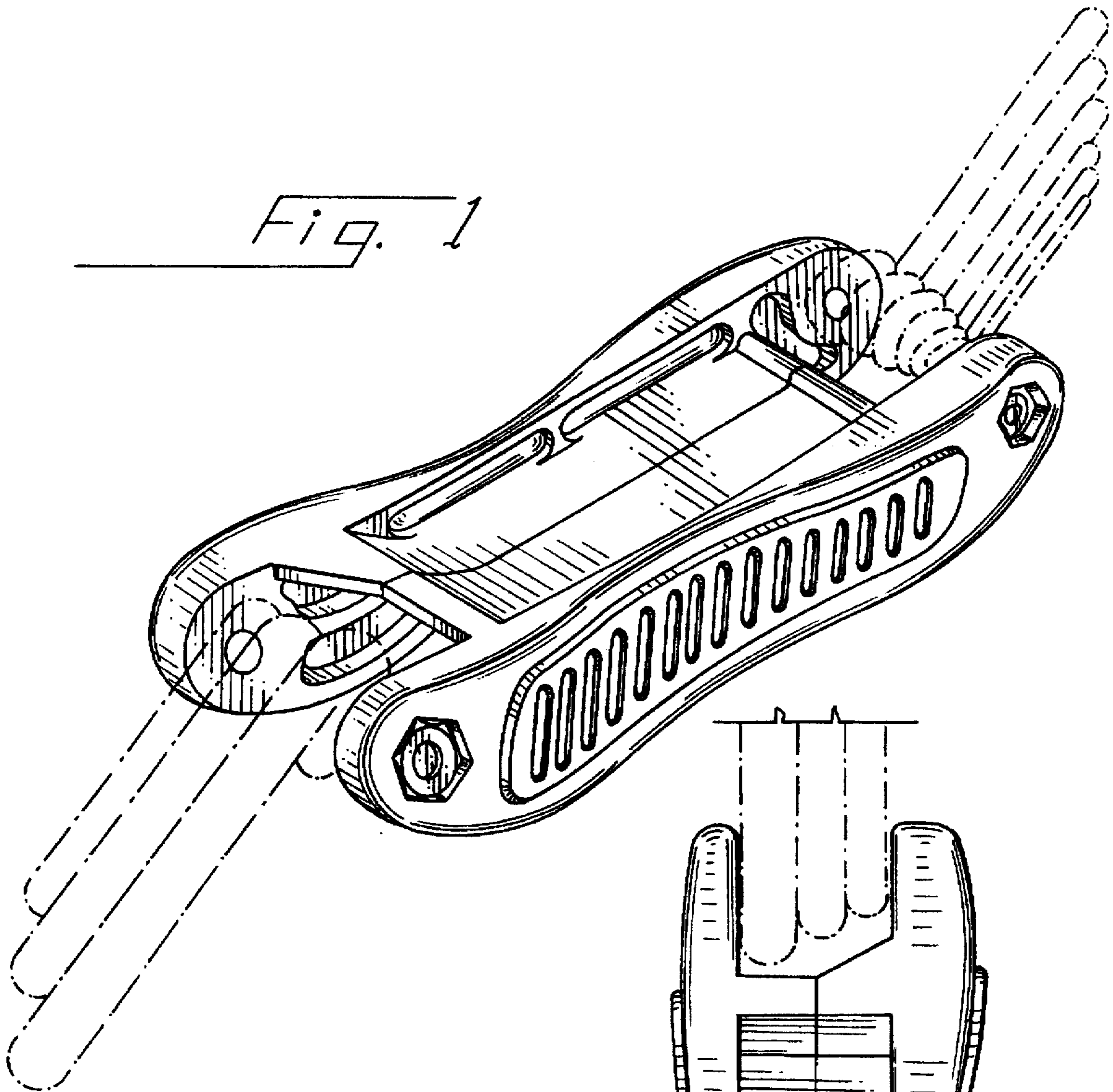


Fig. 2

