



US00D385766S

# United States Patent [19]

[11] Patent Number: Des. 385,766

Kondo et al.

[45] Date of Patent: \*\*Nov. 4, 1997

## [54] PORTABLE ELECTRIC CHAIN SAW

## OTHER PUBLICATIONS

[75] Inventors: Masaki Kondo; Norifumi Niwa, both of Anjo, Japan

Husqvarna's 1988 brochure.  
Husqvarna's 1994-1995 brochure.  
Partner's 1993 brochure.

[73] Assignee: Makita Corporation, Aichi-Ken, Japan

Primary Examiner—Antoine Duval Davis  
Attorney, Agent, or Firm—Davis & Bujold

[\*\*] Term: 14 Years

[21] Appl. No.: 59,972

## [57] CLAIM

[22] Filed: Sep. 19, 1996

The ornamental design for a portable electric chain saw, as shown and described.

## [30] Foreign Application Priority Data

Mar. 19, 1996 [JP] Japan ..... 8-7639

## DESCRIPTION

[51] LOC (6) Cl. .... 08-03

[52] U.S. Cl. .... D8/65

[58] Field of Search ..... D8/65; 16/110 R, 16/114 R, DIG. 12, DIG. 24; 30/381, 382, 383; 76/80.5, 36, 74, 112; 83/797, 801, 803, 813; 188/77 R, 166

FIG. 1 is a perspective view of a portable electric chain saw embodying our new design;  
FIG. 2 is a front elevational view thereof;  
FIG. 3 is a bottom plan view thereof;  
FIG. 4 is a top plan view thereof;  
FIG. 5 is a rear elevational view thereof;  
FIG. 6 is a right side elevational view thereof;  
FIG. 7 is a left side elevational view thereof; and,  
FIG. 8 is a front elevational view of a second embodiment, including the bar and the chain, also embodying our new design.

## [56] References Cited

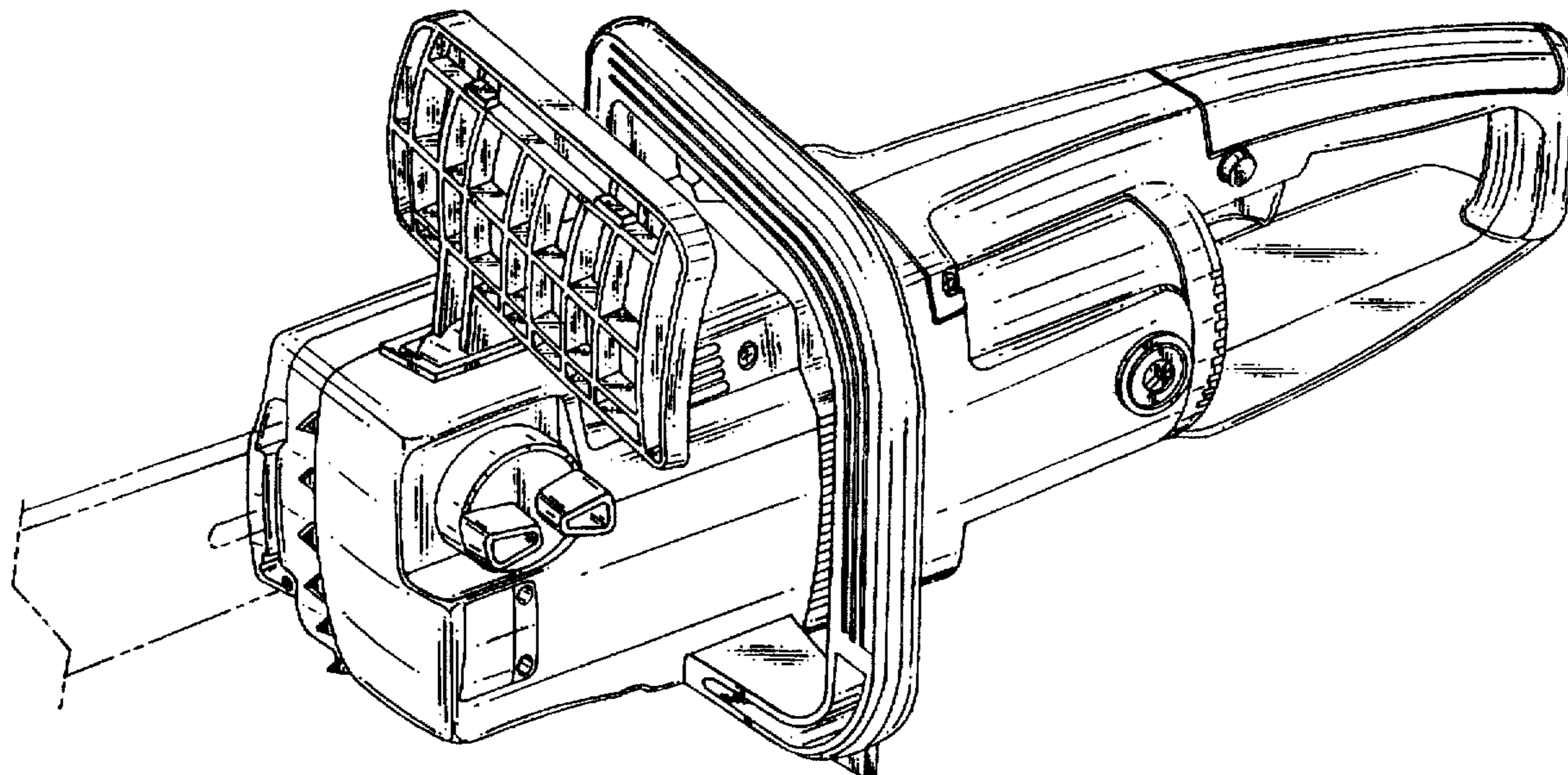
### U.S. PATENT DOCUMENTS

- D. 223,600 5/1972 Averitt ..... D8/65
- D. 302,931 8/1989 Nakajima et al. .... D8/65
- D. 365,262 12/1995 Beaulieu et al. .... D8/65
- 5,184,403 2/1993 Schliemann ..... 30/382 X

### FOREIGN PATENT DOCUMENTS

- 173135757 U 12/1986 Germany .
- 719335 7/1995 Japan .

1 Claim, 7 Drawing Sheets



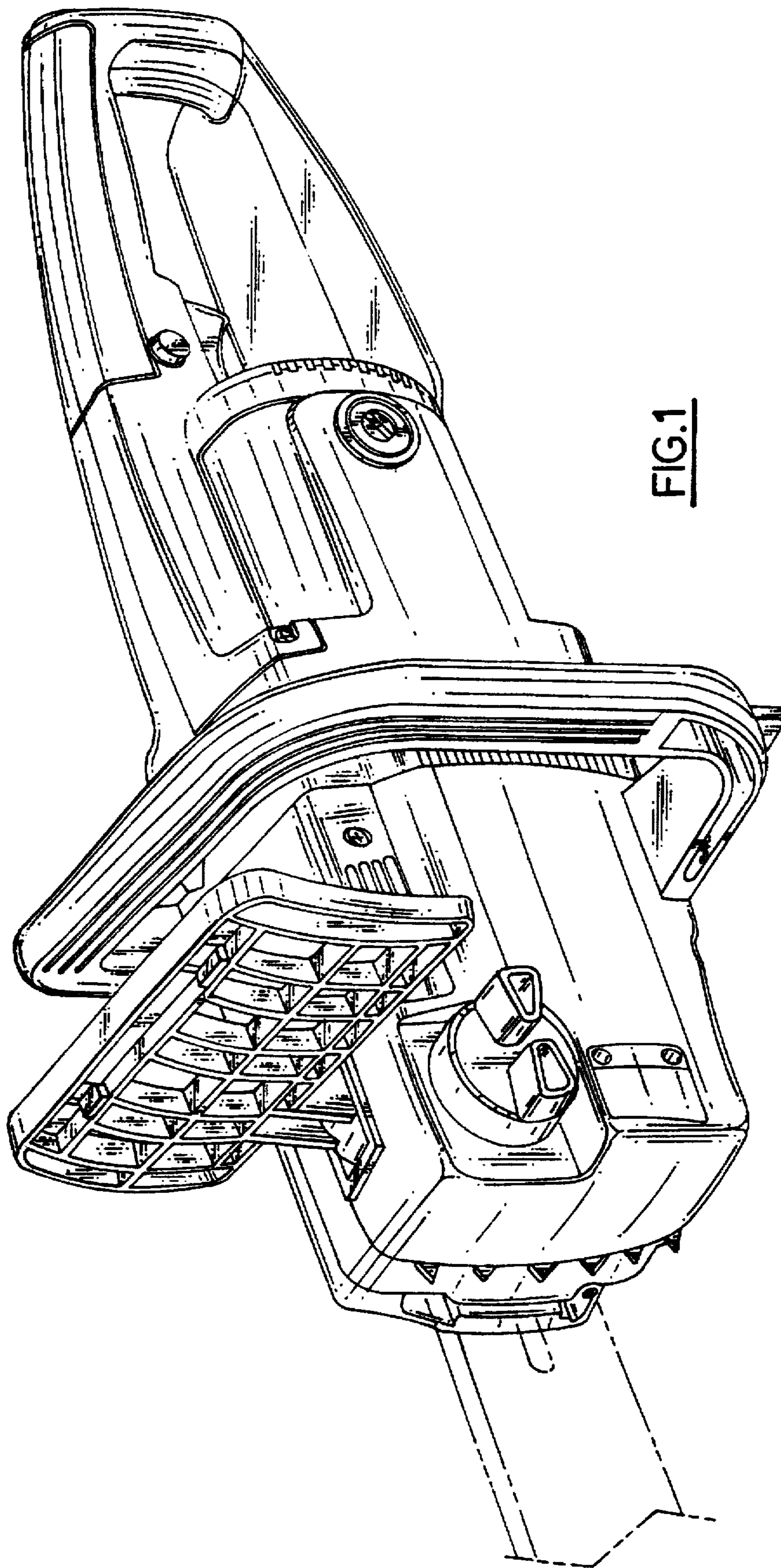


FIG.1

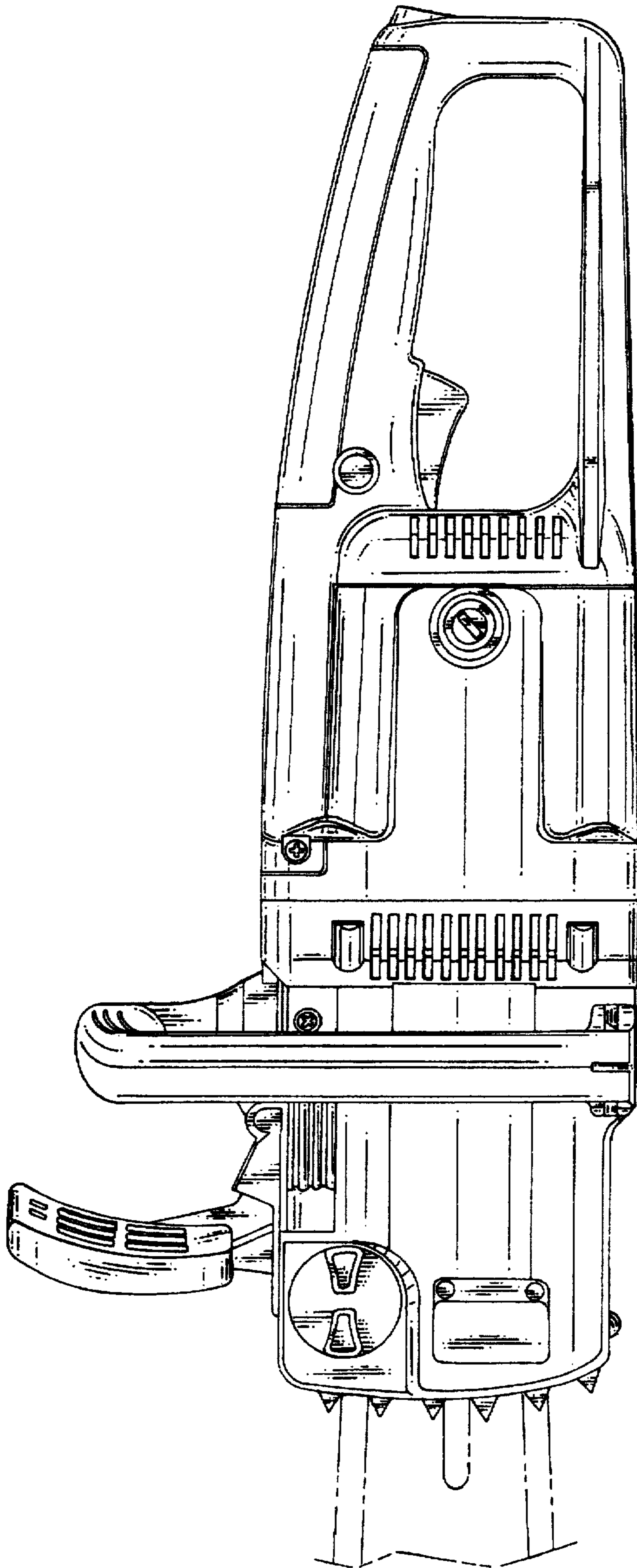


FIG.2

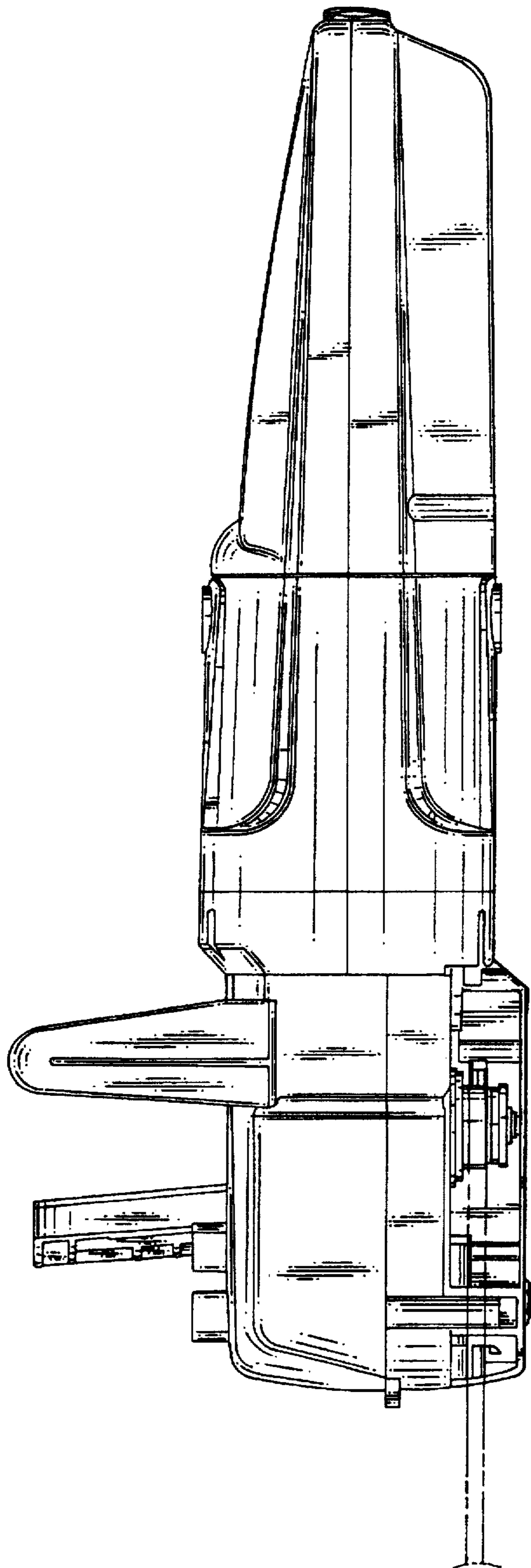


FIG. 3

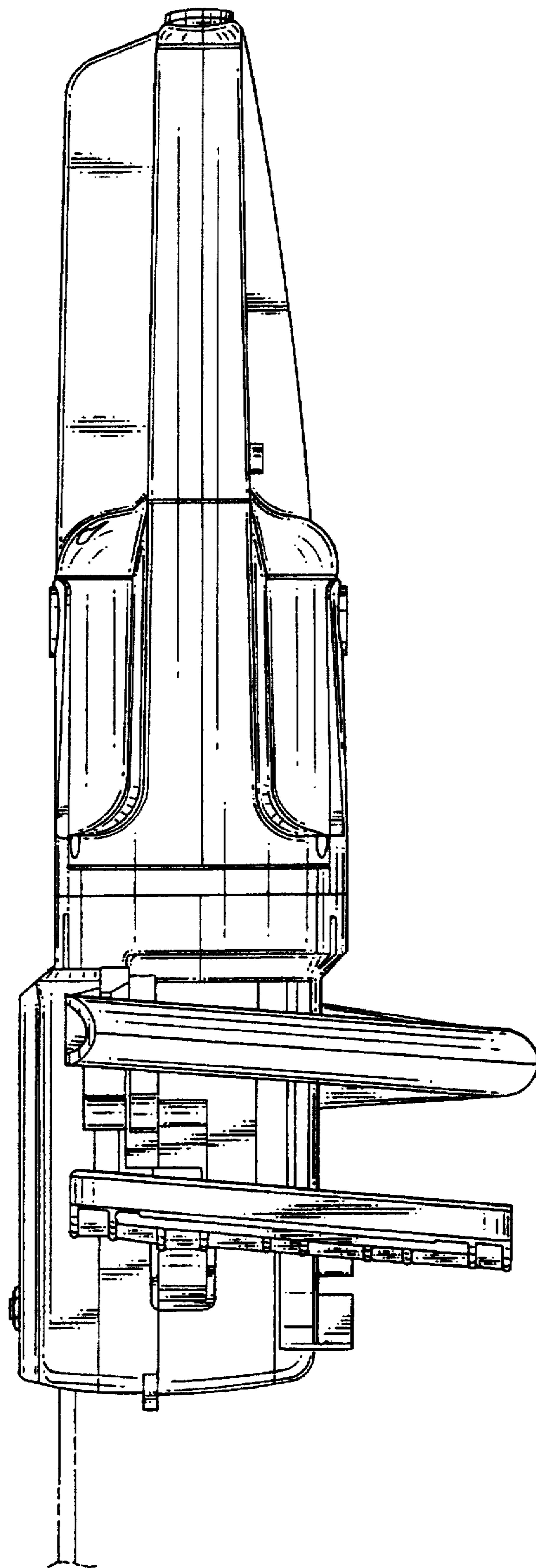


FIG. 4

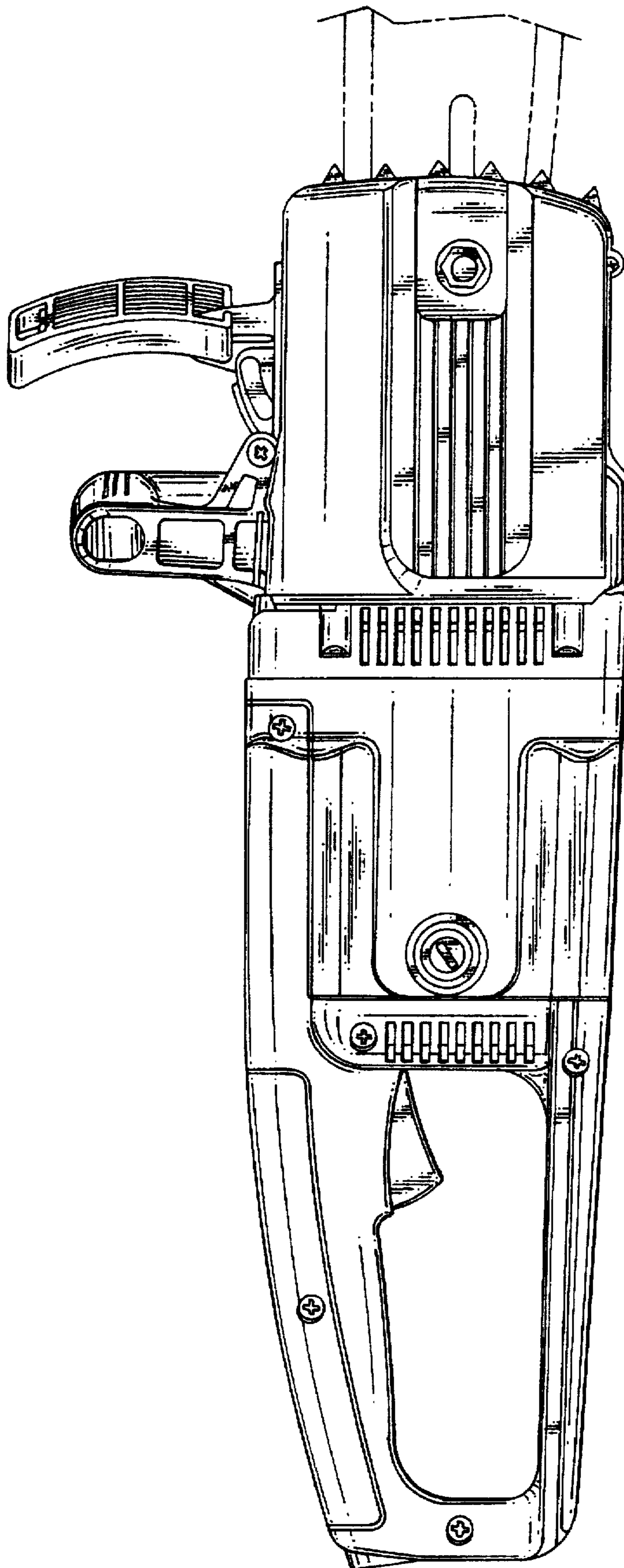


FIG.5

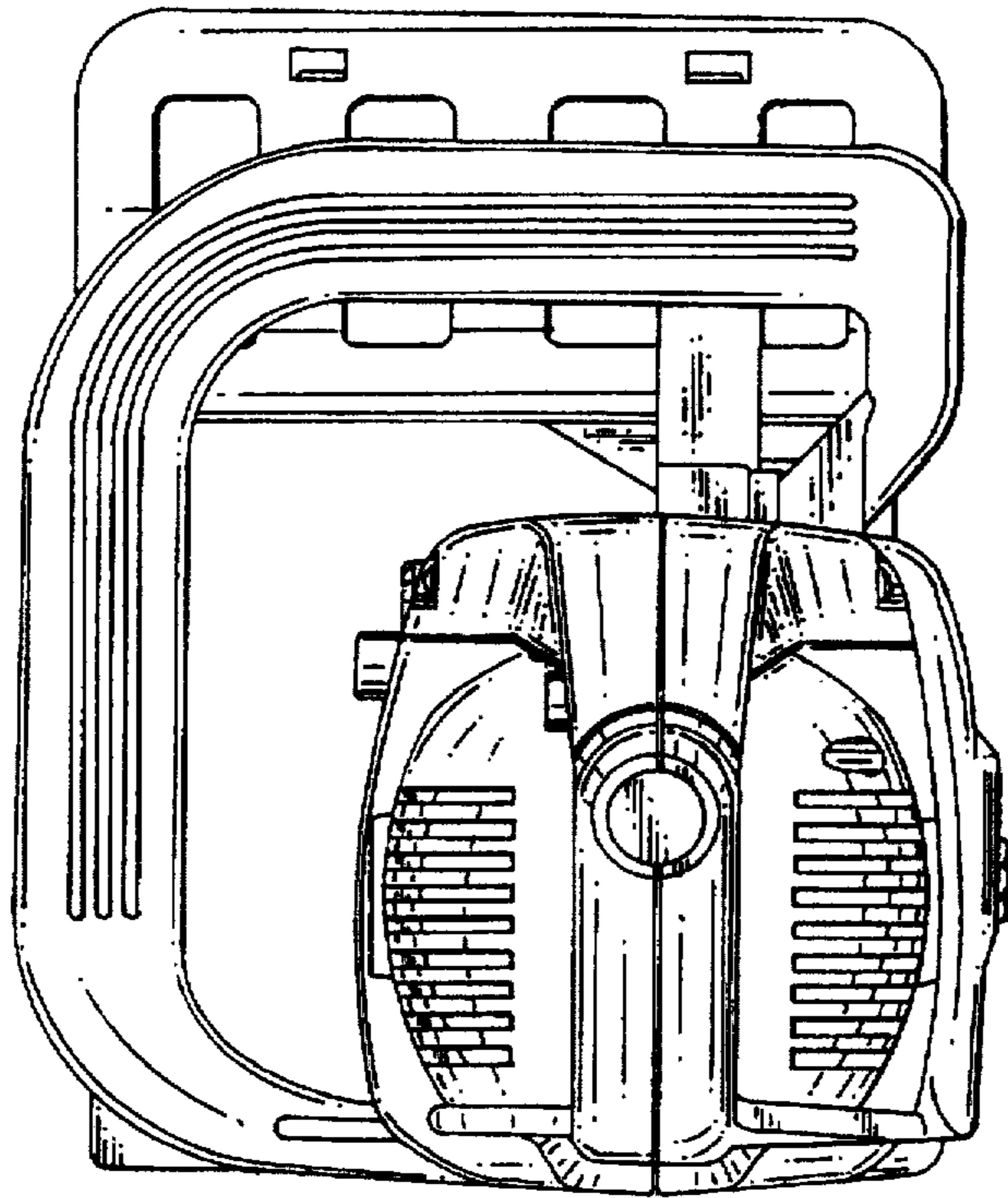


FIG. 6

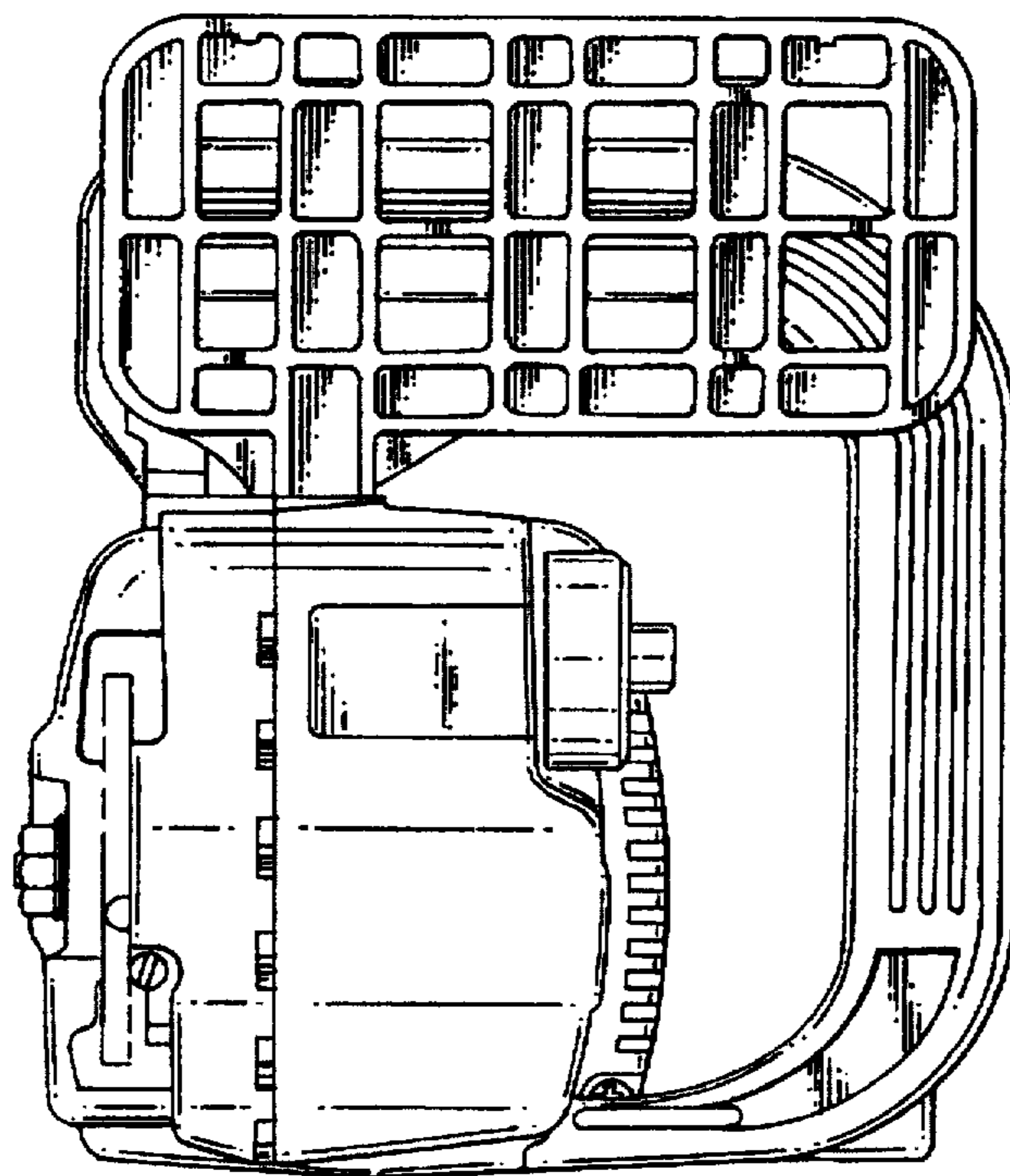


FIG. 7

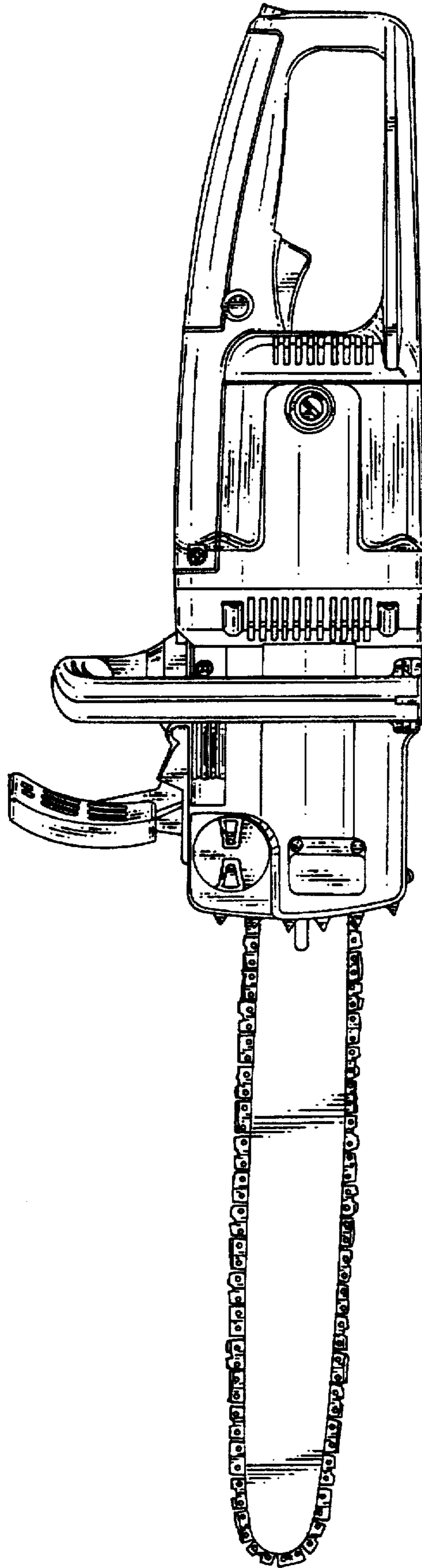


FIG. 8