



US00D385765S

# United States Patent [19] Sung

[11] Patent Number: Des. 385,765  
[45] Date of Patent: \*\*Nov. 4, 1997

[54] SANDER  
[75] Inventor: Eric Sung, Taichung County, Taiwan  
[73] Assignee: K.K.U. Limited, Tokyo, Japan  
[\*\*] Term: 14 Years  
[21] Appl. No.: 53,781  
[22] Filed: Apr. 30, 1996  
[51] LOC (6) Cl. .... 08-01  
[52] U.S. Cl. .... D8/62  
[58] Field of Search ..... D8/62; 451/355-359

Automotive Air Tools, Chicago Pneumatic Catalog, Mar. 1990, p. 36.  
Campbell Industrial Supply Co., 1982 p. 411.  
Ash Mail Order Catalog, 1981.  
Hardwares Catalog, p. 76, Aug. 1992.  
Astro Power Catalog, p. 24.  
Automotive Power Tools, Ingersoll-Rand Catalog, 1995, p. 34.  
National-Detroit, Inc. Catalog, pp. 1, 2 & 3.  
Air Tools Catalog, 1992, p. 11.  
Raider Air Tools Catalog, p. 2.

Primary Examiner—Antoine Duval Davis  
Attorney, Agent, or Firm—Greer, Burns & Crain, Ltd.

## [56] References Cited

### U.S. PATENT DOCUMENTS

D. 204,772 5/1966 Brown ..... D8/62  
D. 256,881 9/1980 Hutchins .  
D. 324,800 3/1992 Butzen et al. .  
D. 324,803 3/1992 Butzen et al. .... D8/62  
D. 332,559 1/1993 Miyoshi et al. .  
D. 344,878 3/1994 Izumisawa .  
D. 353,310 12/1994 Izumisawa .  
D. 353,311 12/1994 Izumisawa .  
D. 357,163 4/1995 Izumisawa .  
3,364,625 1/1968 Sogge ..... 451/357 X  
3,857,206 12/1974 Heffran, Jr. .

### OTHER PUBLICATIONS

Hardwares Catalog, Aug. 1991.  
Automotive Power Tools, Ingersoll-Rand Catalog, 1992, p. 34.

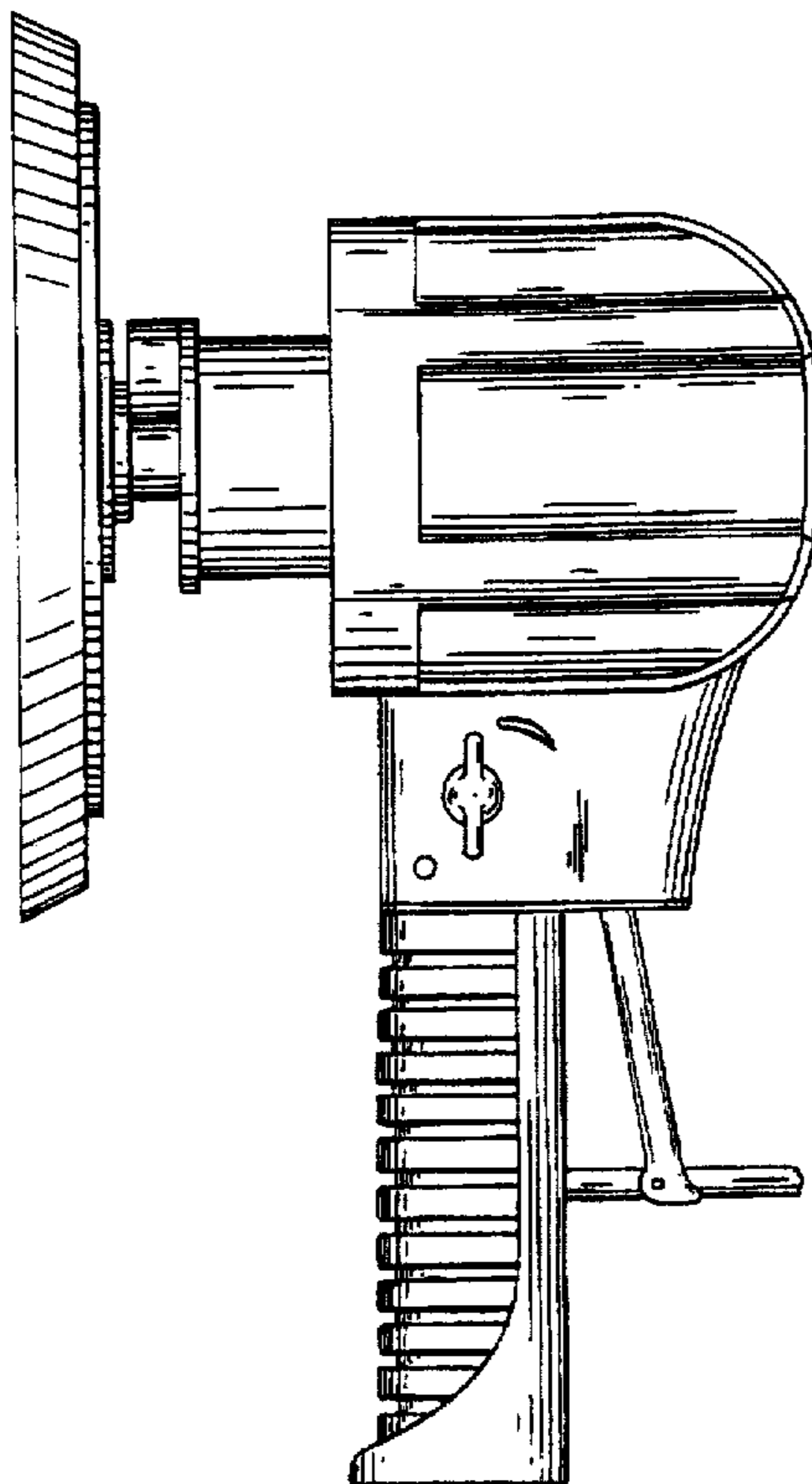
## [57] CLAIM

The ornamental design for an sander, as shown and described.

## DESCRIPTION

FIG. 1 is a left side view of a sander showing my design;  
FIG. 2 is a top view thereof;  
FIG. 3 is a right side view thereof;  
FIG. 4 is a bottom view thereof;  
FIG. 5 is front view thereof; and,  
FIG. 6 is a rear view thereof.

1 Claim, 3 Drawing Sheets



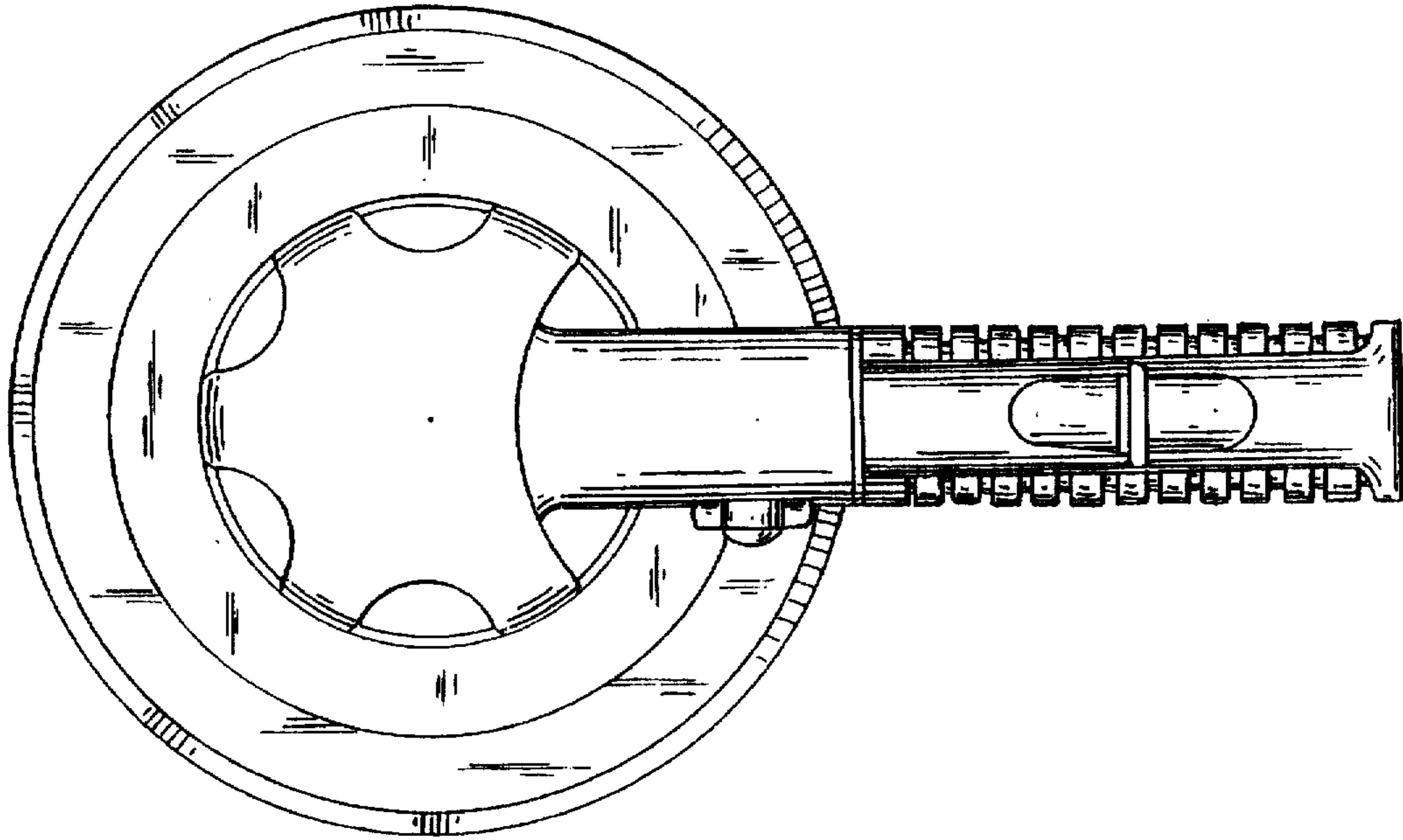


FIG. 2

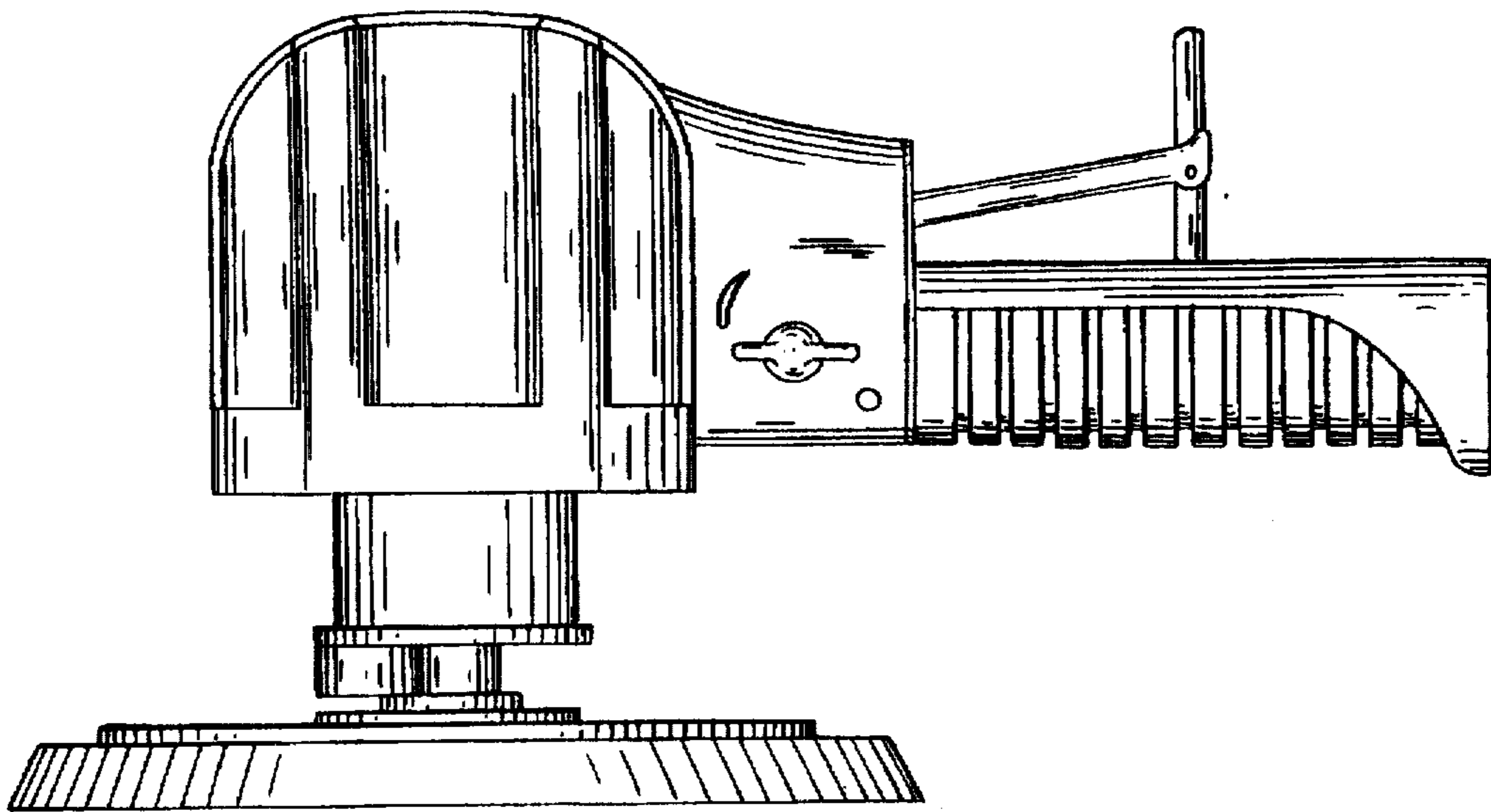


FIG. 1

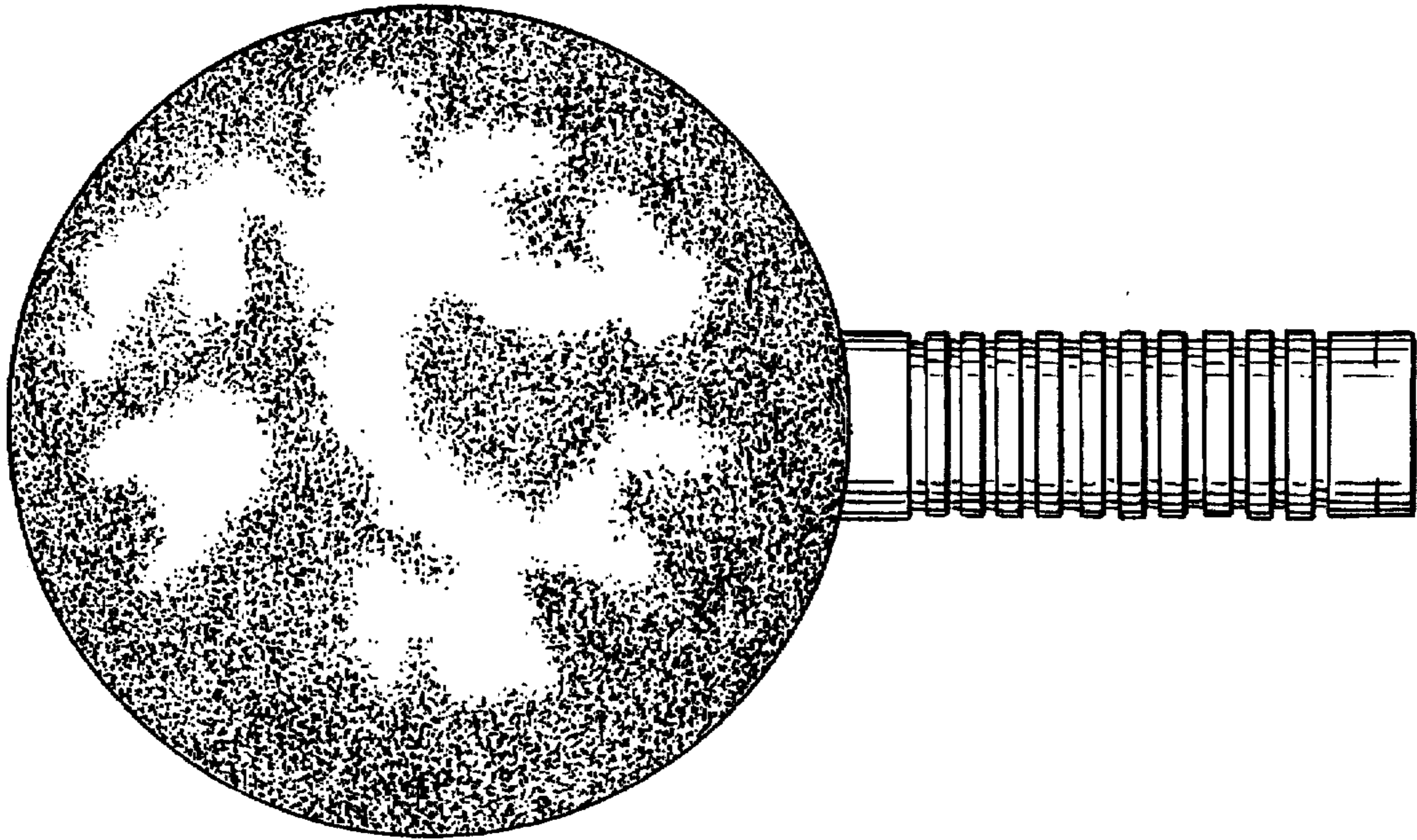


FIG. 4

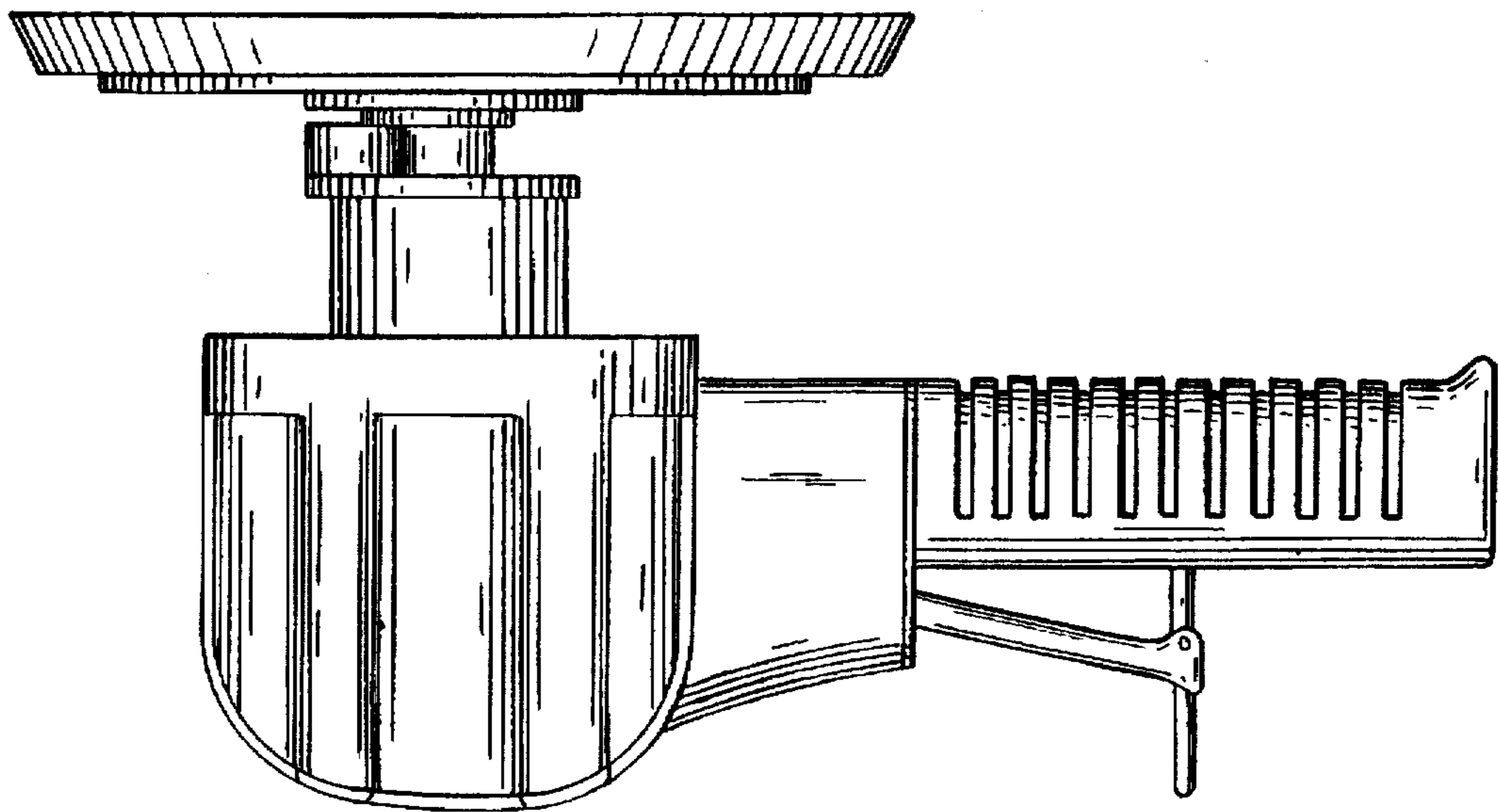


FIG. 3



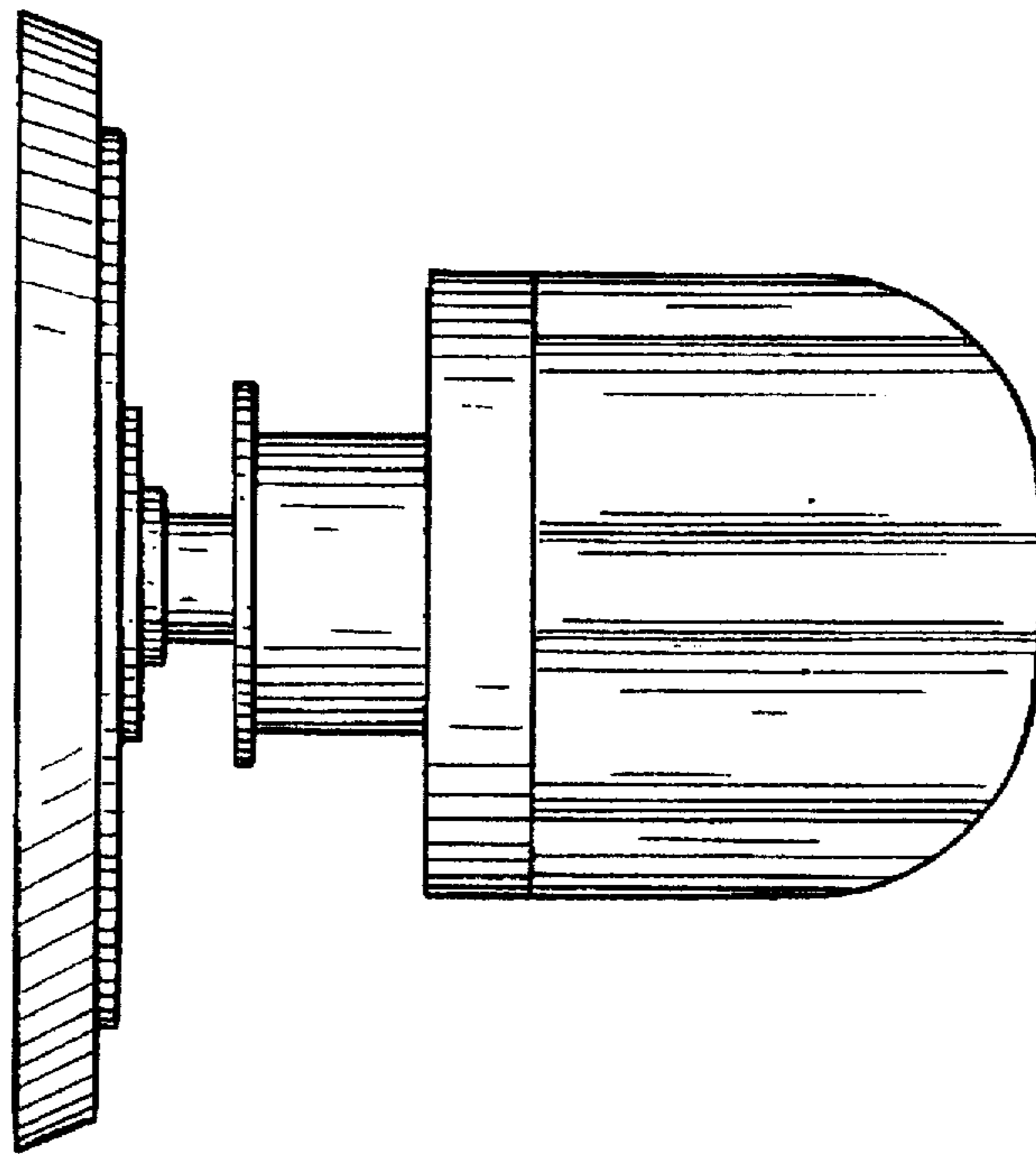


FIG. 5

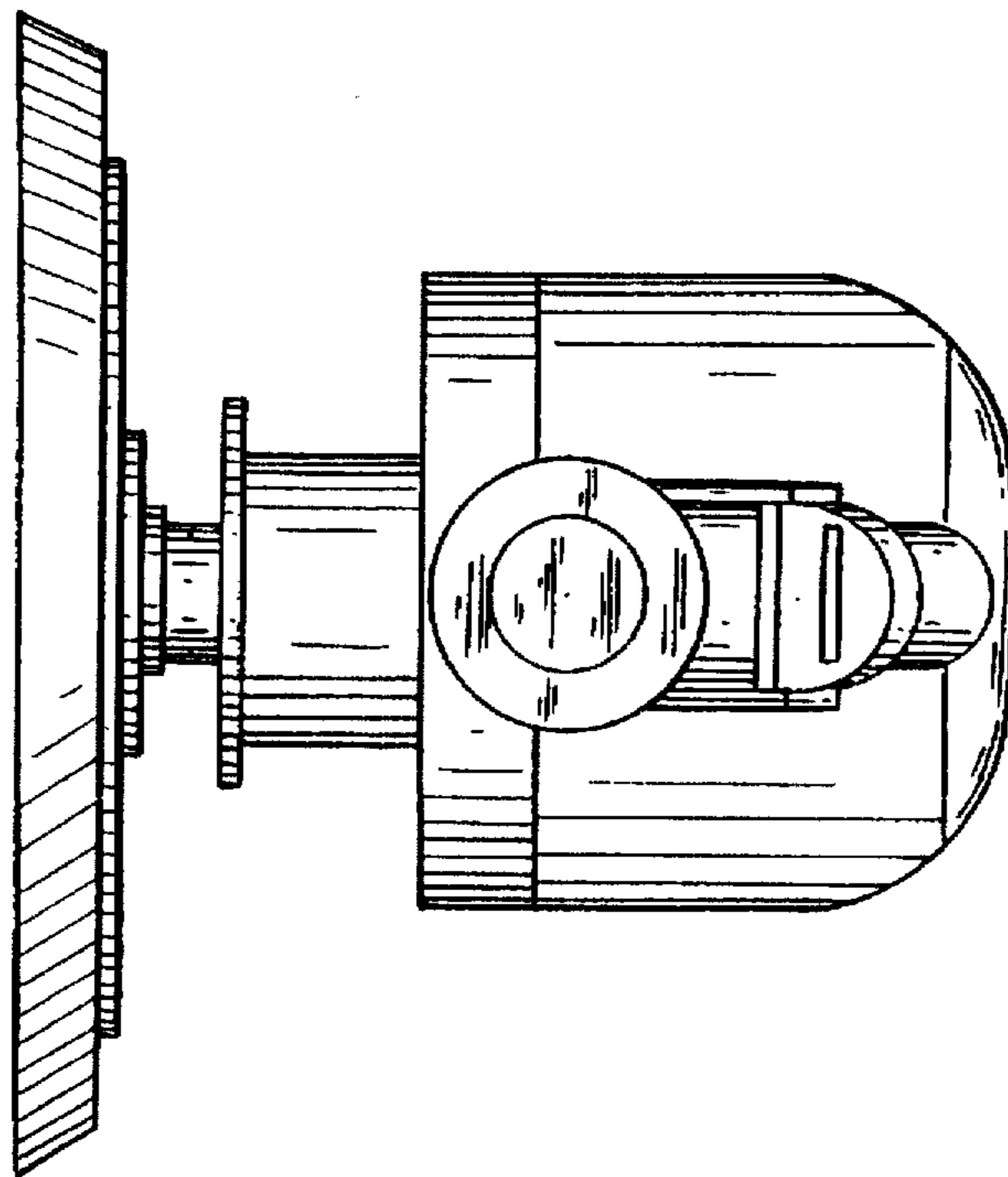


FIG. 6