



US00D385764S

United States Patent [19]

[11] Patent Number: **Des. 385,764**

Goto

[45] Date of Patent: ****Nov. 4, 1997**

[54] **PORTABLE AIR GRINDER**

[76] Inventor: **Tadao Goto, c/o Goto Electric Co., Ltd.**
5340.Oaza-Inabe, Ina-shi, Nagano-ken,
Japan

[**] Term: **14 Years**

[21] Appl. No.: **51,094**

[22] Filed: **Mar. 5, 1996**

[30] **Foreign Application Priority Data**

Sep. 28, 1995 [JP] Japan 7-28863

[51] LOC (6) Cl. **08-01**

[52] U.S. Cl. **D8/62**

[58] Field of Search D8/62; 15/97.1;
83/666, 698.41; 173/170; 279/904; 403/349;
451/162, 294, 342, 344, 353, 357, 358,
359, 490, 491

[56] **References Cited**

U.S. PATENT DOCUMENTS

5,407,381 4/1995 Schaefer et al. 451/344 X
5,466,183 11/1995 Kim et al. 451/358 X

Primary Examiner—Antoine Duval Davis
Attorney, Agent, or Firm—Lowe, Price, LeBlanc & Becker

[57] **CLAIM**

The ornamental design for a portable air grinder, as shown and described.

DESCRIPTION

FIG. 1 is a front view of my portable air grinder;
FIG. 2 is a side view of my portable air grinder;
FIG. 3 is a rear view of my portable air grinder;
FIG. 4 is another side view of my portable air grinder;
FIG. 5 is a top view of my portable air grinder;
FIG. 6 is a bottom view of my portable air grinder; and,
FIG. 7 is a perspective view of my portable air grinder.

1 Claim, 2 Drawing Sheets

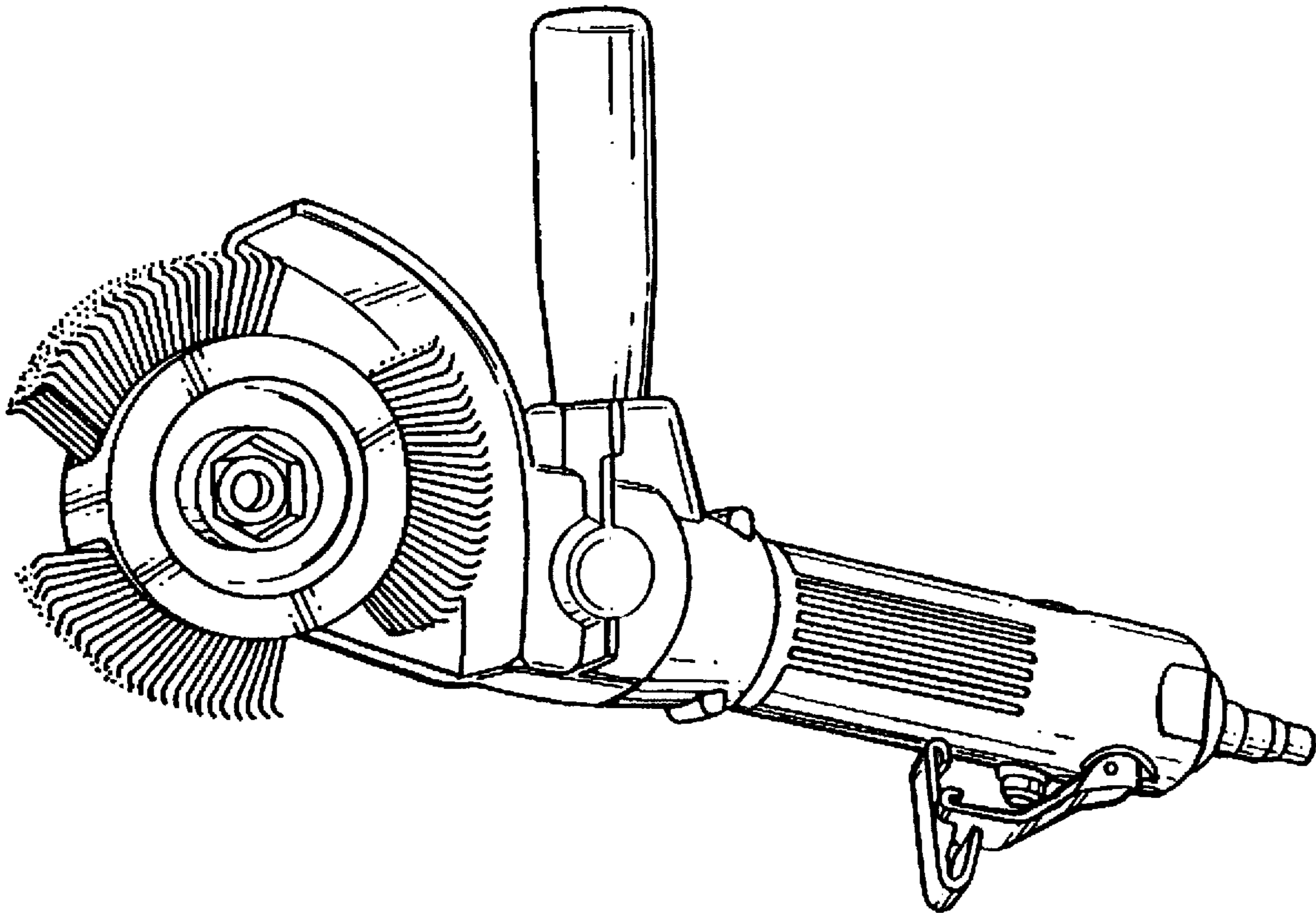


FIG. 1

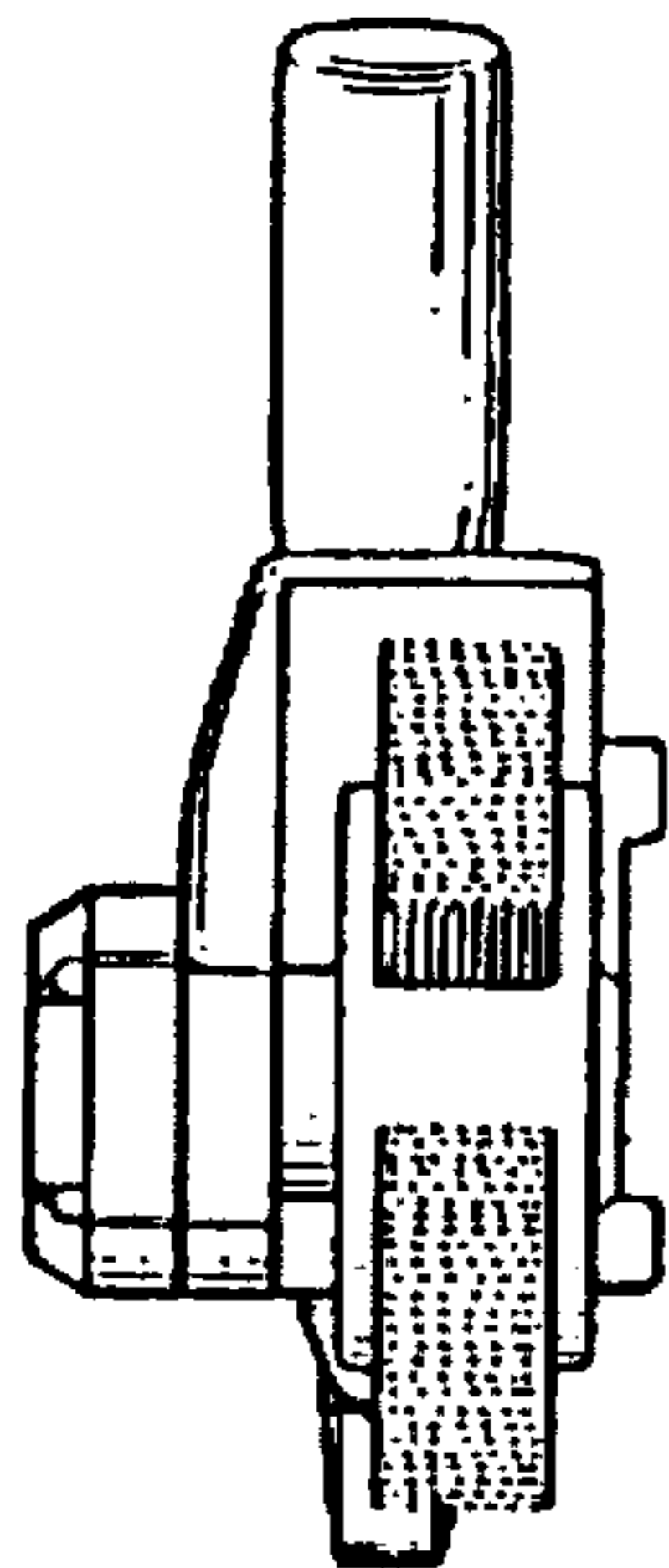


FIG. 2

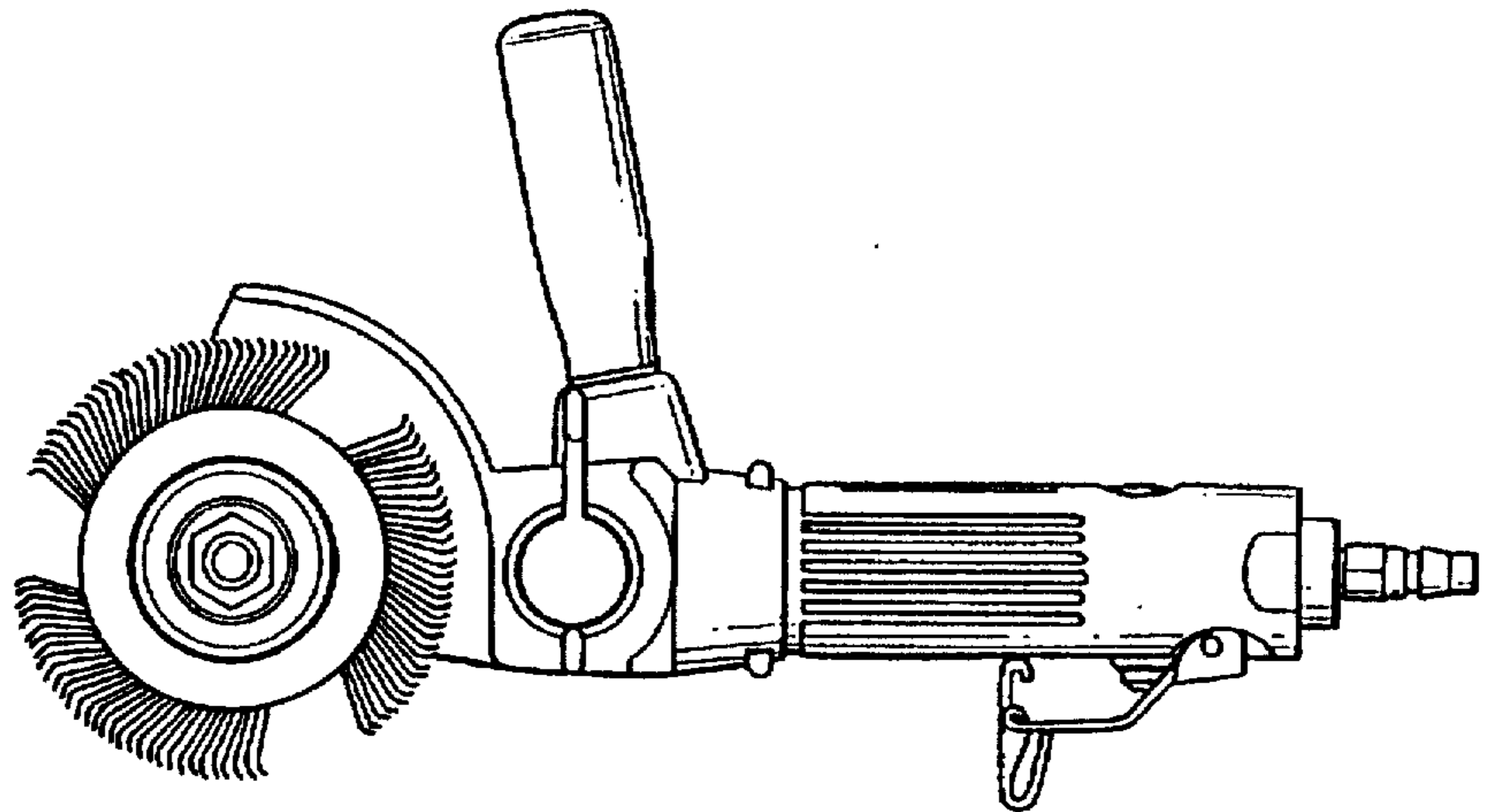


FIG. 3

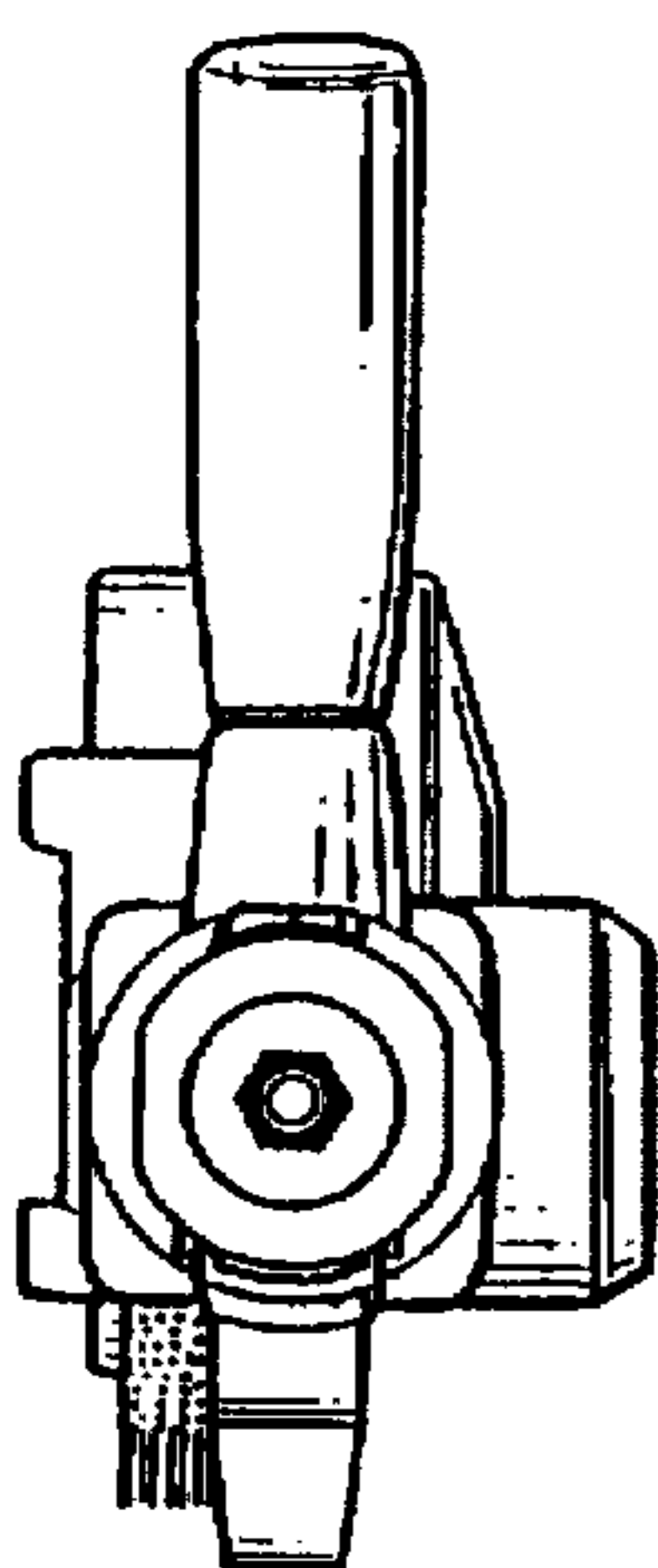


FIG. 4

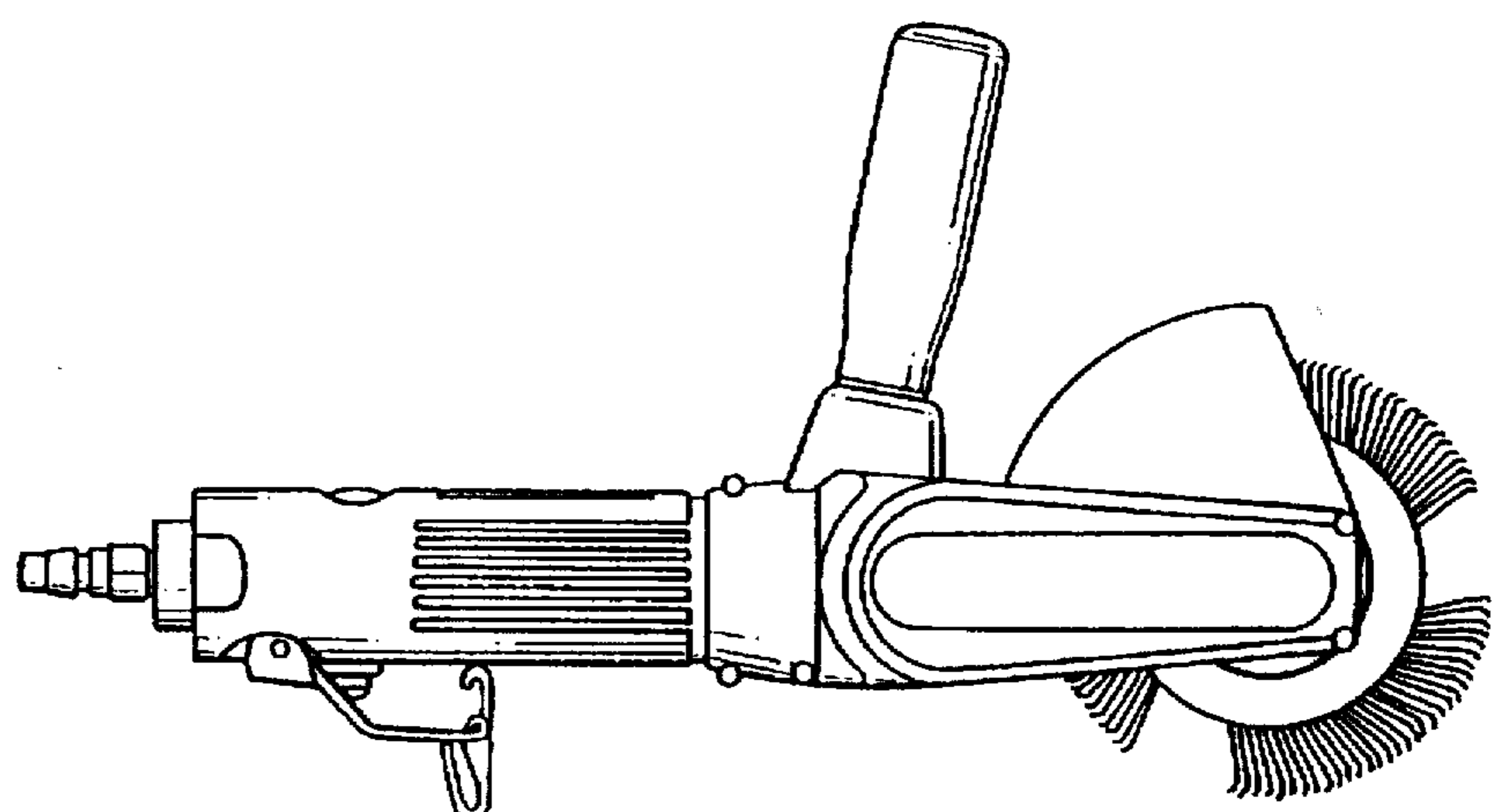


FIG. 5

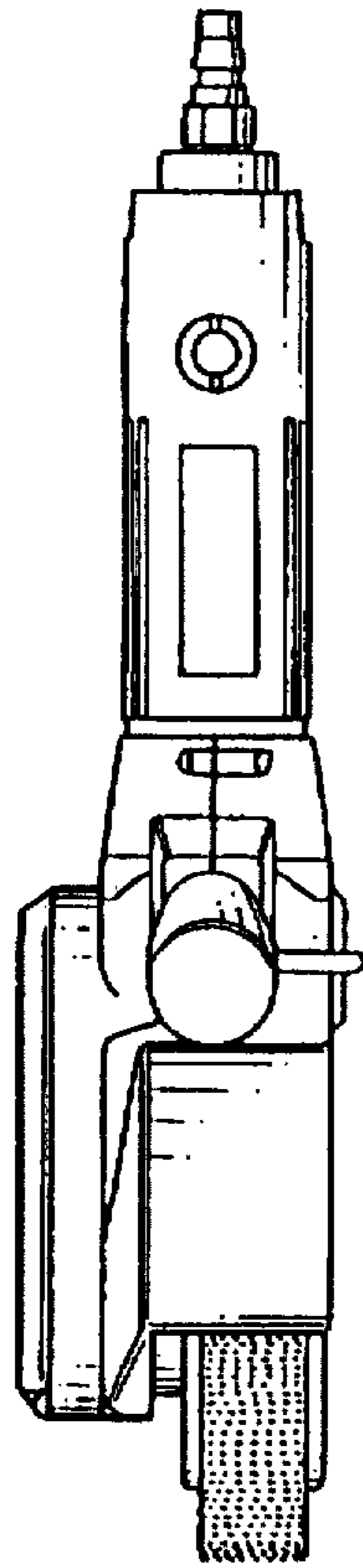


FIG. 6

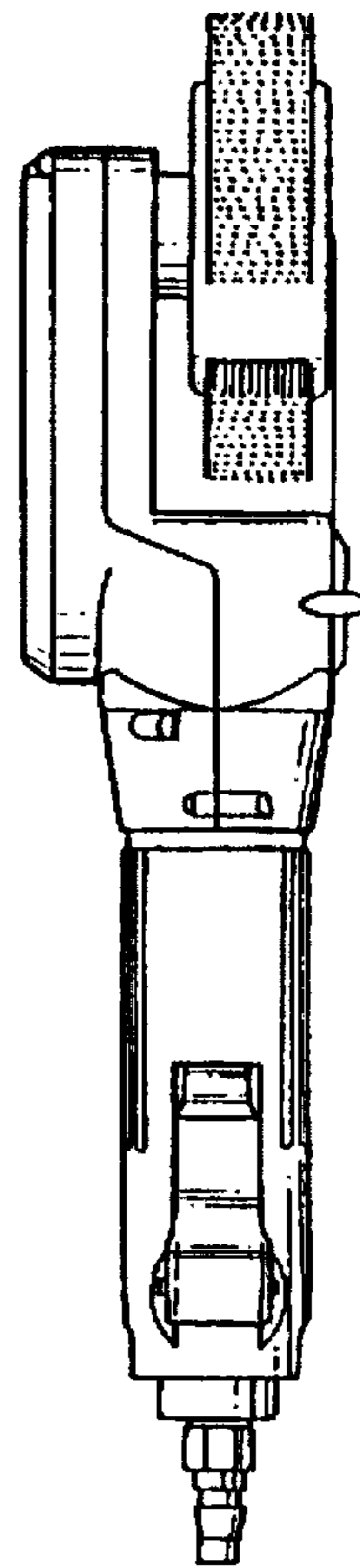


FIG. 7

