

US00D385762S

United States Patent [19] Marks

[11] **Patent Number:** **Des. 385,762**
[45] **Date of Patent:** ****Nov. 4, 1997**

- [54] **SCALLOPED INTERIOR SOCKET TOOL**
- [75] **Inventor:** **Joel Steven Marks**, Los Angeles, Calif.
- [73] **Assignee:** **WorkTools, Inc.**, Chatsworth, Calif.
- [**] **Term:** **14 Years**
- [21] **Appl. No.:** **55,985**
- [22] **Filed:** **Jun. 19, 1996**
- [51] **LOC (6) Cl.** **08-05**
- [52] **U.S. Cl.** **D8/29**
- [58] **Field of Search** D8/29; 81/121.1,
81/125, 185, 442, 461, DIG. 11

[56] **References Cited**

U.S. PATENT DOCUMENTS

D. 246,415	11/1977	Critcher	D8/29
3,674,070	7/1972	Mahoney	81/442
3,698,267	10/1972	Denney	81/185 X
4,197,889	4/1980	Peterson	81/446
4,887,498	12/1989	Zayat	81/185
5,193,420	3/1993	Smith	81/442

Primary Examiner—Prabhakar G. Deshmukh
Assistant Examiner—Richelle Shelton
Attorney, Agent, or Firm—Paul Y. Feng; Fulwider Patton Lee & Utecht

[57] **CLAIM**

The ornamental design for a scalloped interior socket tool, as shown and described.

DESCRIPTION

FIG. 1 is a perspective view of a scalloped interior socket tool showing my new design;
FIG. 2 is a side elevational view, the opposite side elevational, top and bottom plan views being identical;
FIG. 3 is a front view;
FIG. 4 is a rear view;
FIG. 5 is a perspective view of an alternate embodiment;
FIG. 6 is a side elevational view of FIG. 5, the opposite side elevational, top and bottom plan views being identical;
FIG. 7 is a front elevational view of FIG. 5; and,
FIG. 8 is a rear elevational view of FIG. 5.

1 Claim, 2 Drawing Sheets

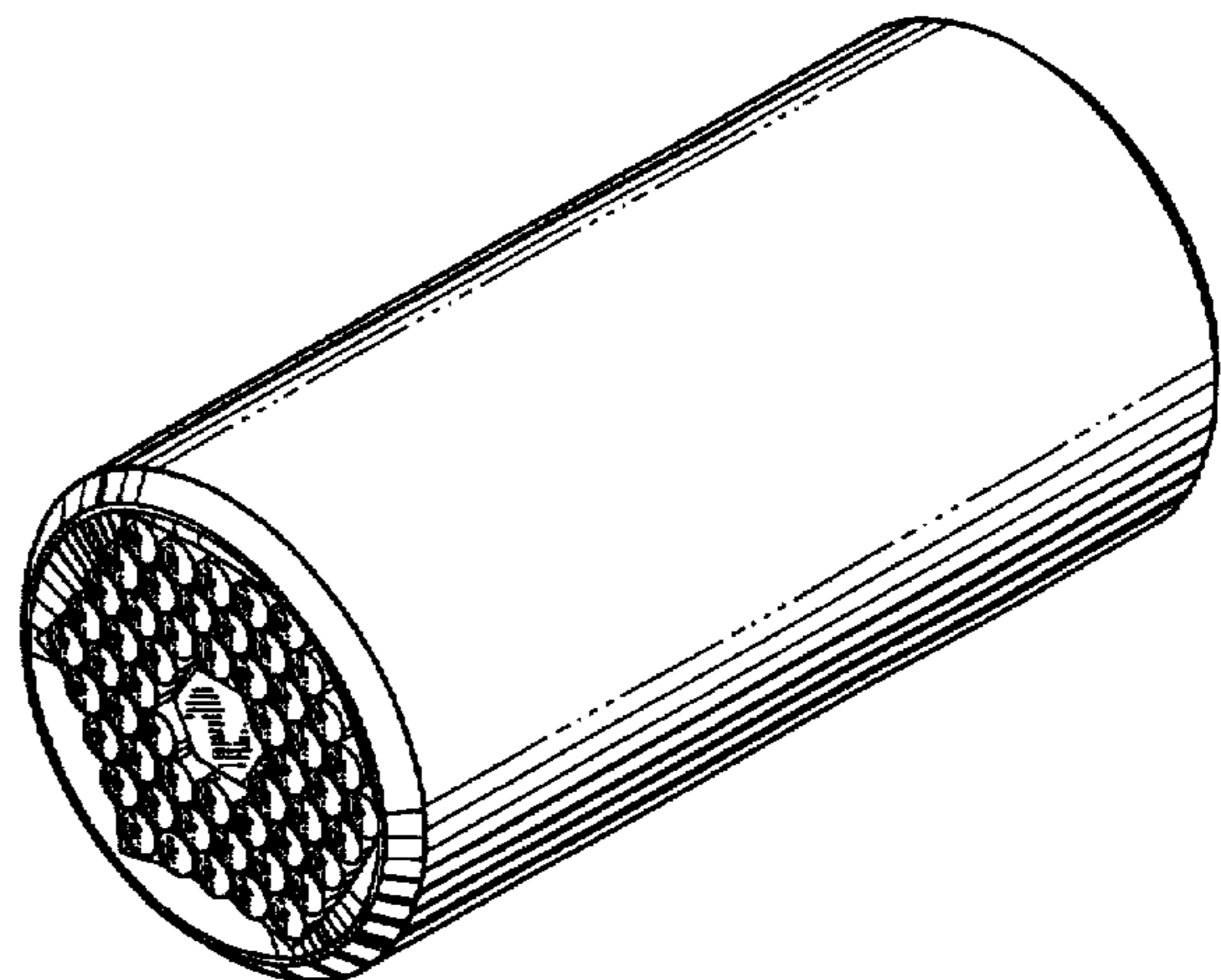
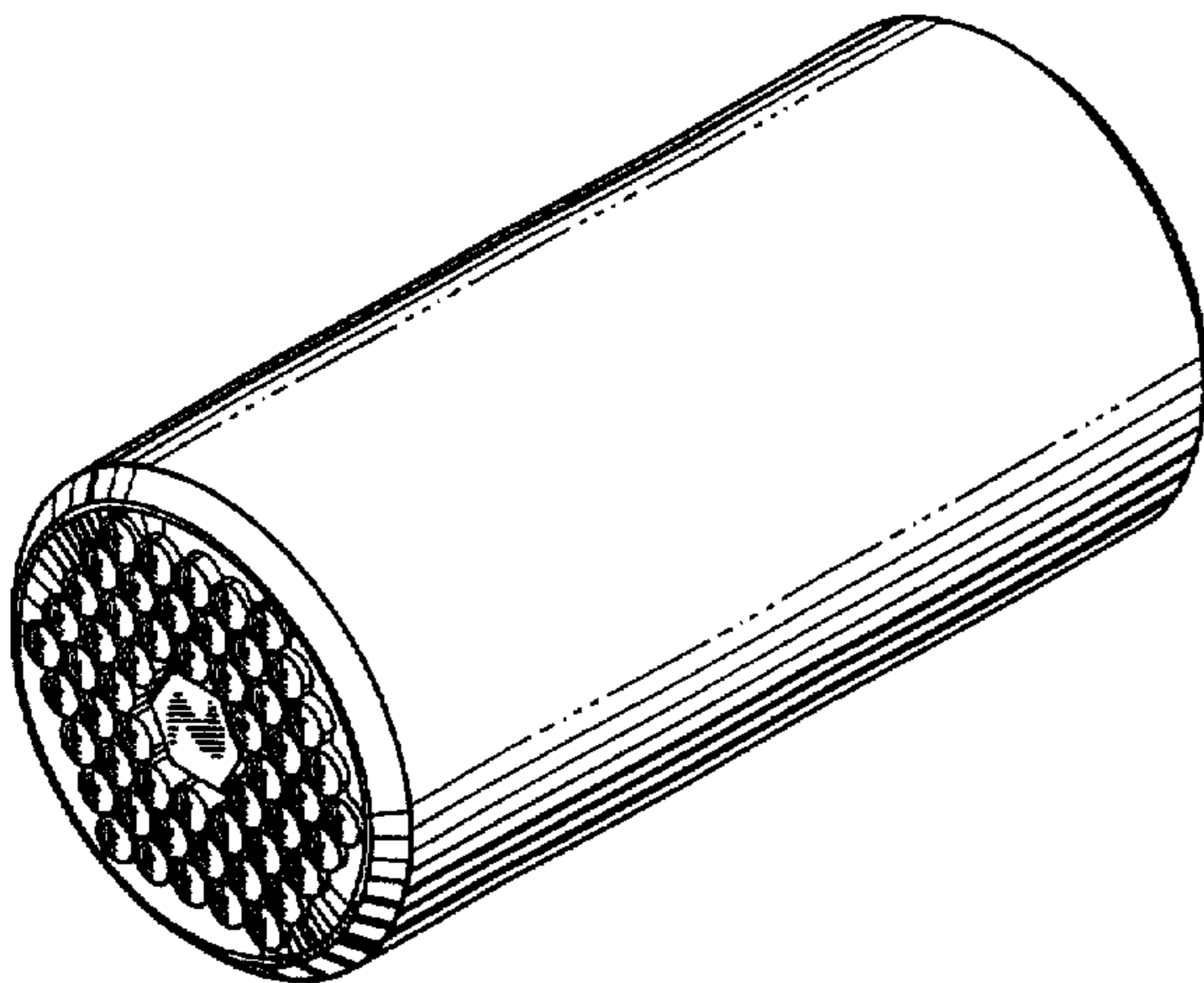


FIG. 1

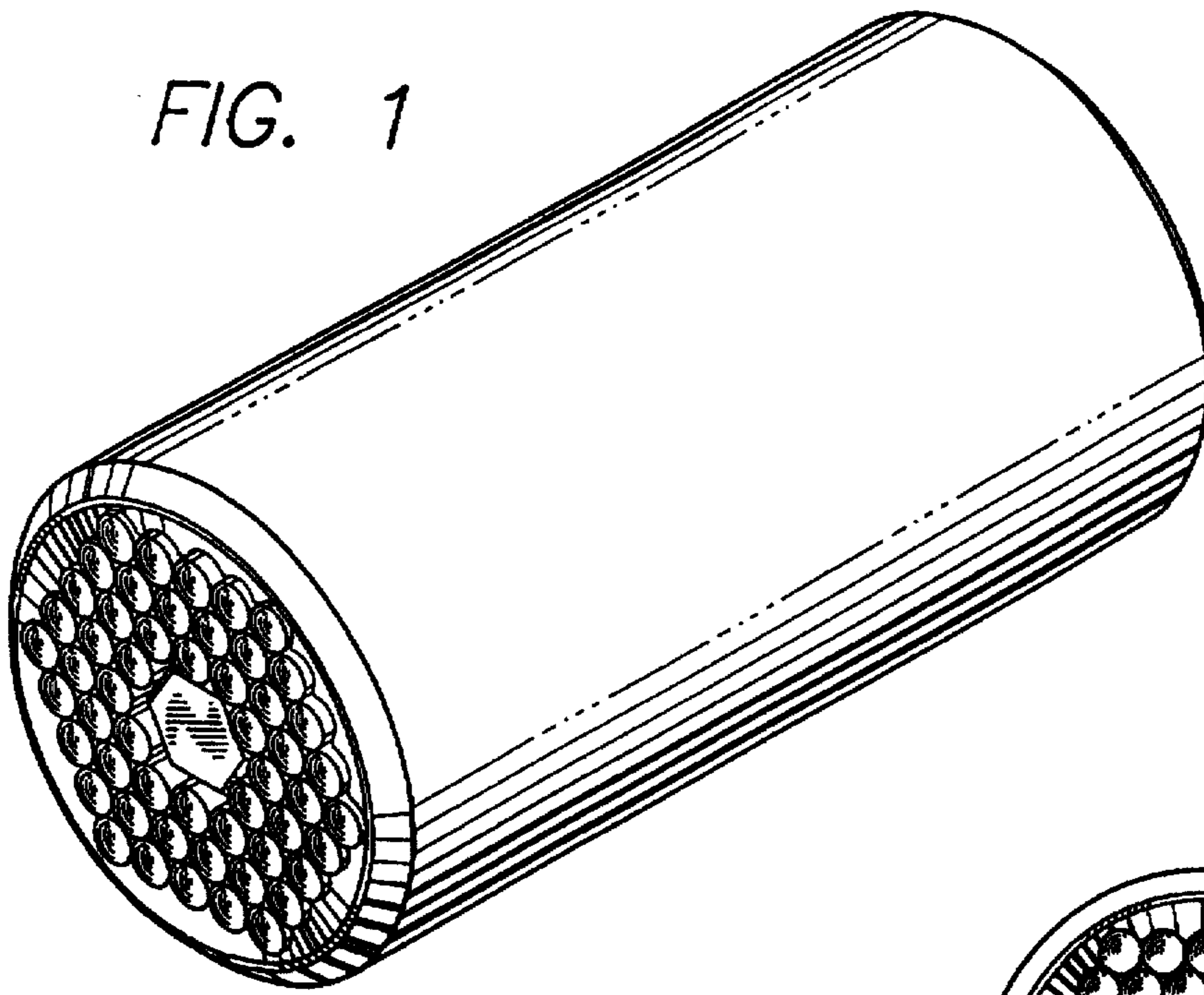


FIG. 3

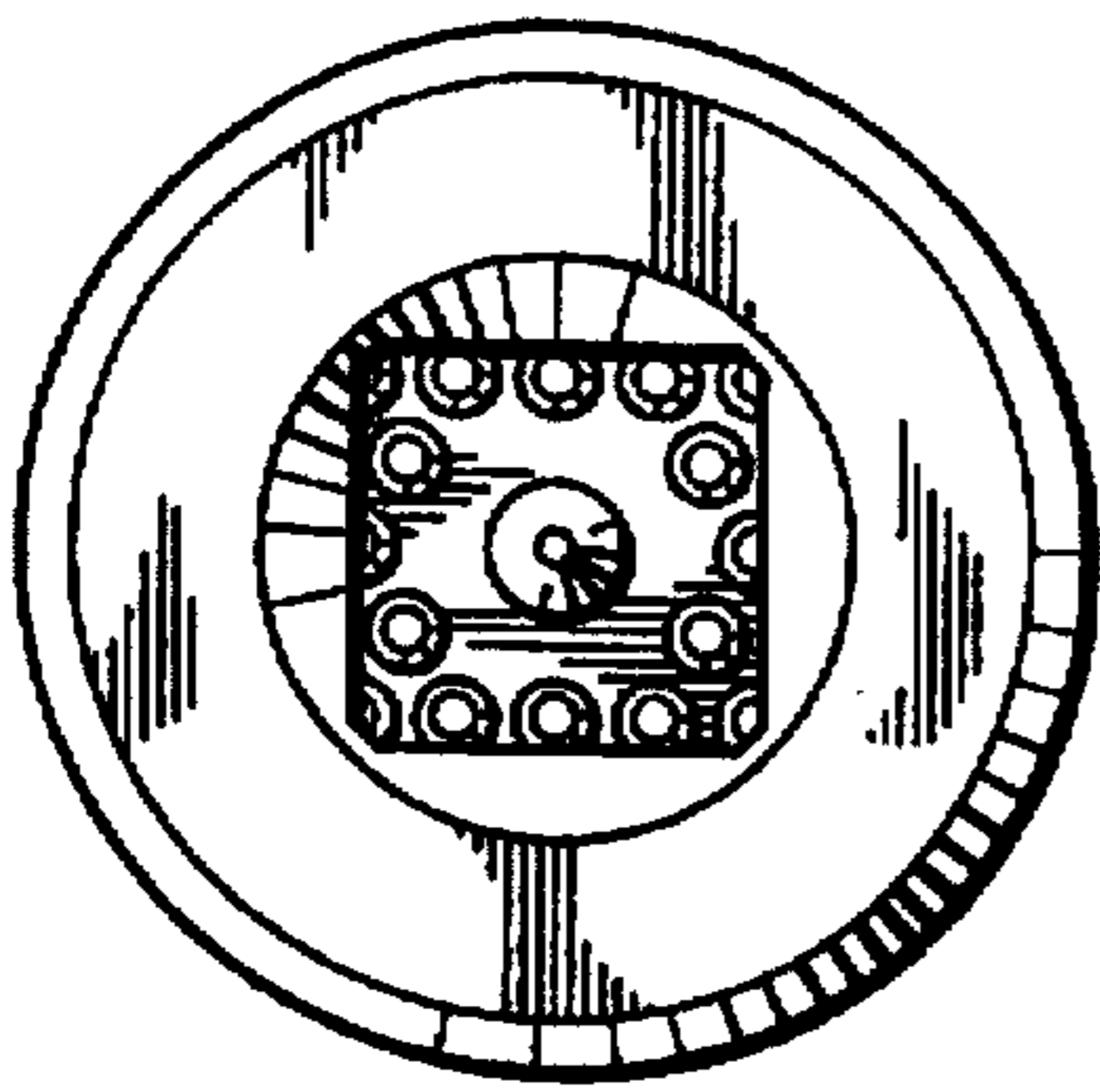
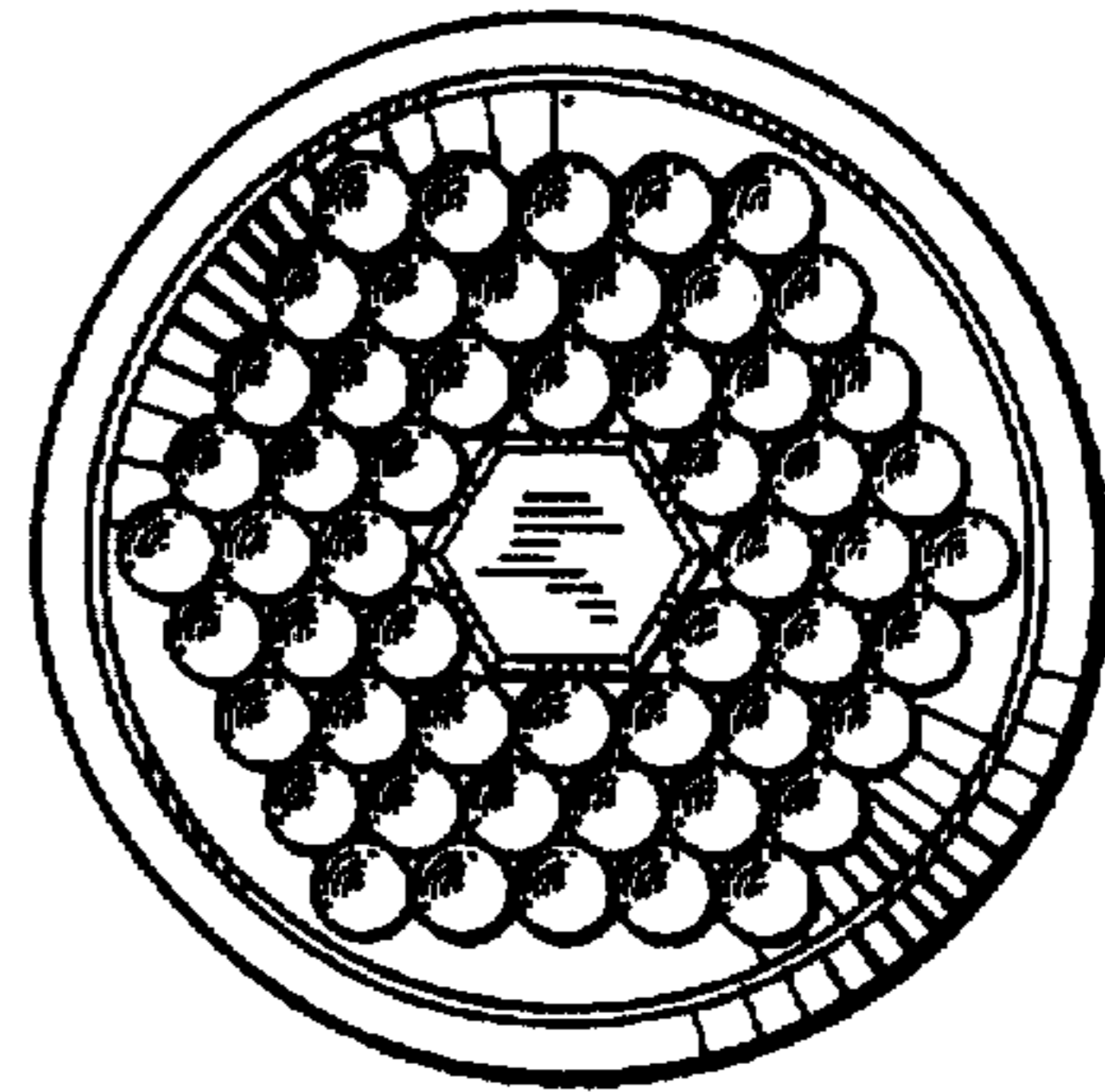


FIG. 4

FIG. 2

