



US00D385751S

United States Patent [19]
Hollinger

[11] **Patent Number:** **Des. 385,751**
[45] **Date of Patent:** ****Nov. 4, 1997**

[54] **SUPPORT FOR HANGING OBJECTS IN THE KITCHEN**

D. 365,249 12/1995 Reisman D7/601
D. 369,950 5/1996 La Pointe D7/704
D. 375,021 10/1996 McArdle D7/601

[75] **Inventor:** **Fred Hollinger**, Kings Park, N.Y.

[73] **Assignee:** **KV and F Metal Products, Inc.**, Great Neck, N.Y.

Primary Examiner—Terry A. Wallace
Attorney, Agent, or Firm—Gerald F. Dunne

[**] **Term:** **14 Years**

[57] **CLAIM**

[21] **Appl. No.:** **67,083**

The ornamental design for support for hanging objects in the kitchen, as shown and described.

[22] **Filed:** **Mar. 3, 1997**

DESCRIPTION

Related U.S. Application Data

[62] Division of Ser. No. 42,082, Jul. 31, 1995.

FIG. 1 is a perspective view of a support for hanging objects in the kitchen showing my new design;

[51] **LOC (6) Cl.** **07-01**

FIG. 2 is a front elevational view thereof;

[52] **U.S. Cl.** **D7/601**

FIG. 3 is a top plan view thereof;

[58] **Field of Search** D7/601, 602; D1/105;
D6/449, 450, 453; 211/13, 71, 125, 205;
248/116, 121, 125.1, 176.1

FIG. 4 is a bottom plan view thereof;

FIG. 5 is a left side elevation view thereof; and,

FIG. 6 is a right side elevation view thereof.

[56] **References Cited**

U.S. PATENT DOCUMENTS

D. 335,401 5/1993 Nations D7/601 X

1 Claim, 4 Drawing Sheets

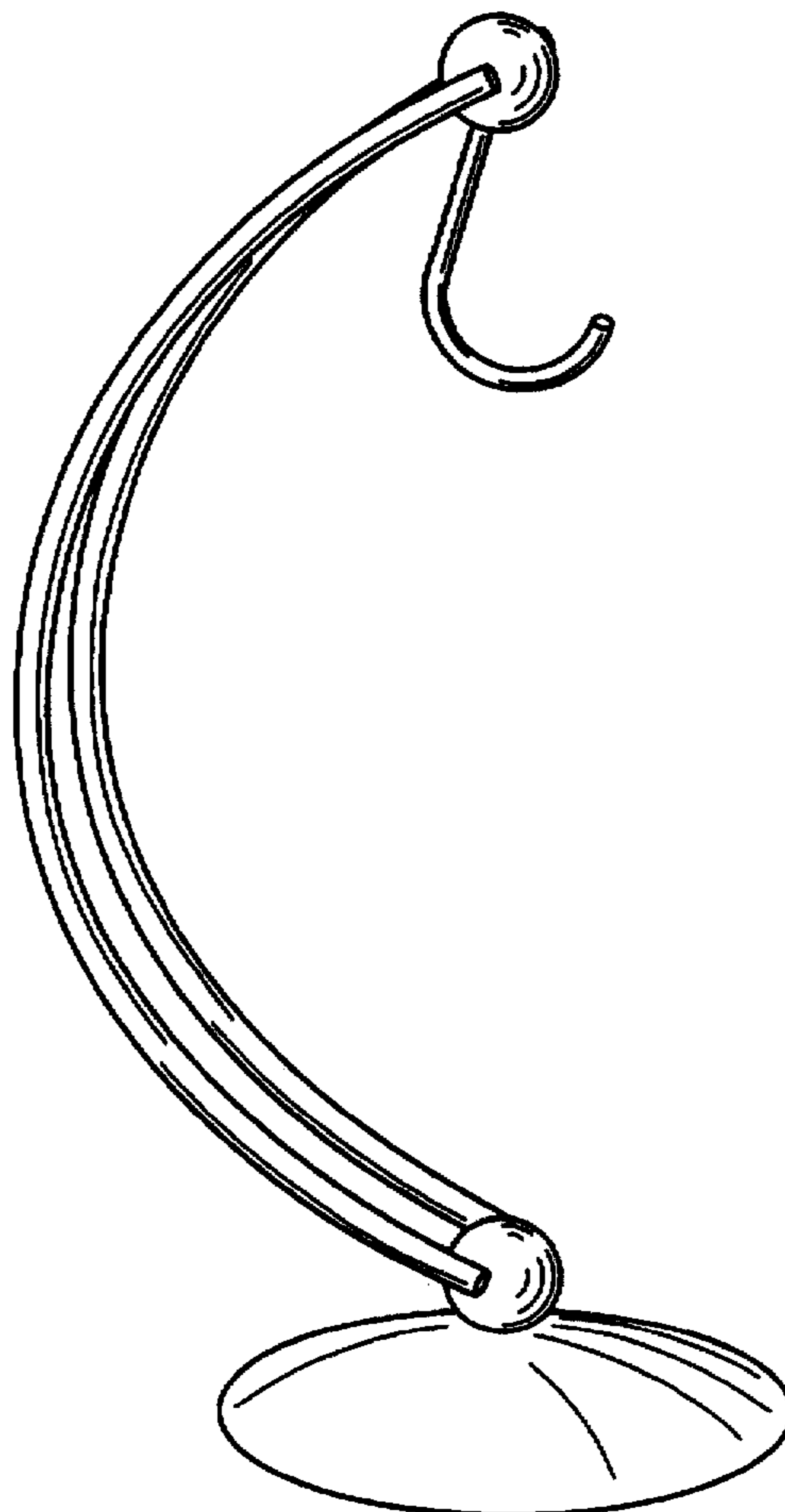


FIG. 1

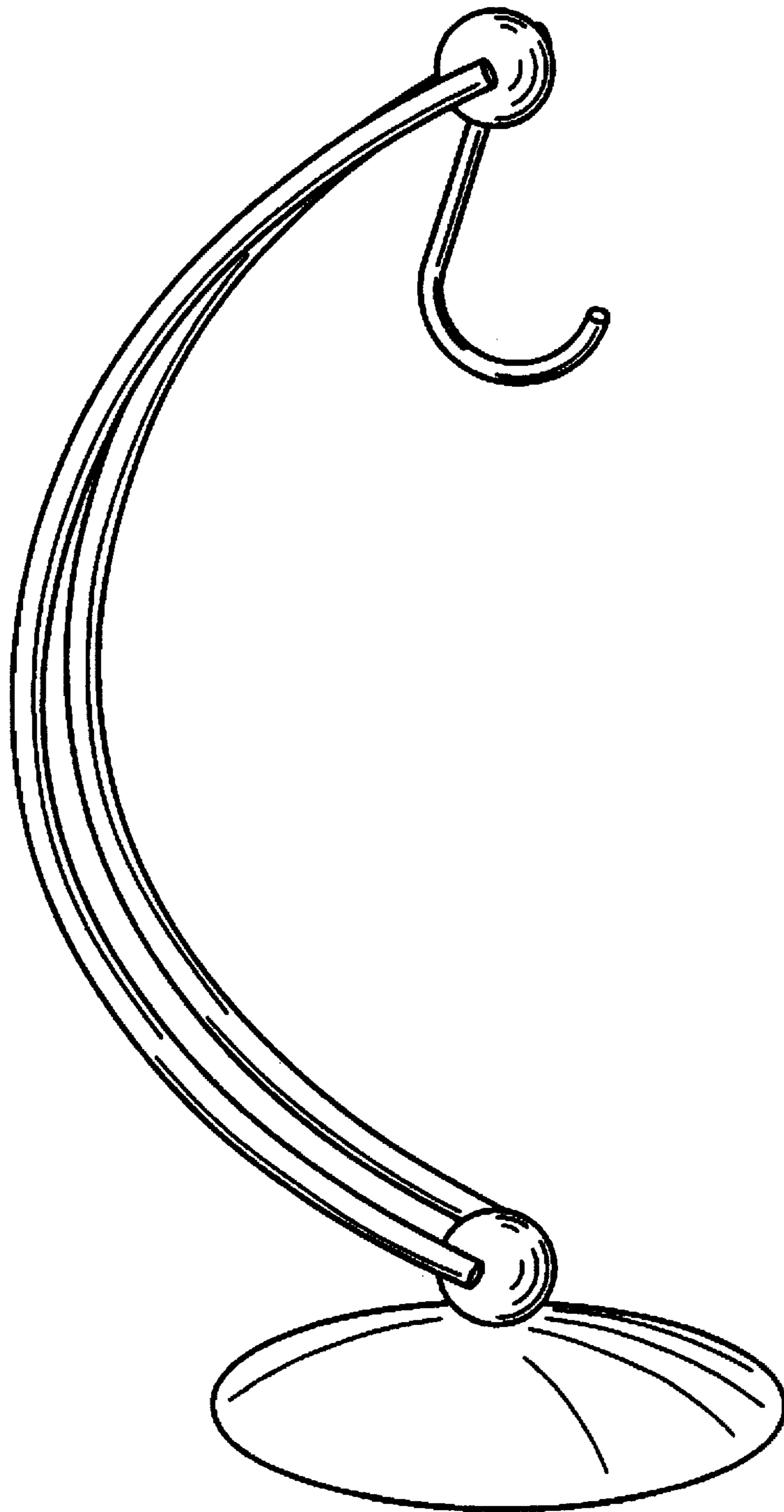


FIG. 2

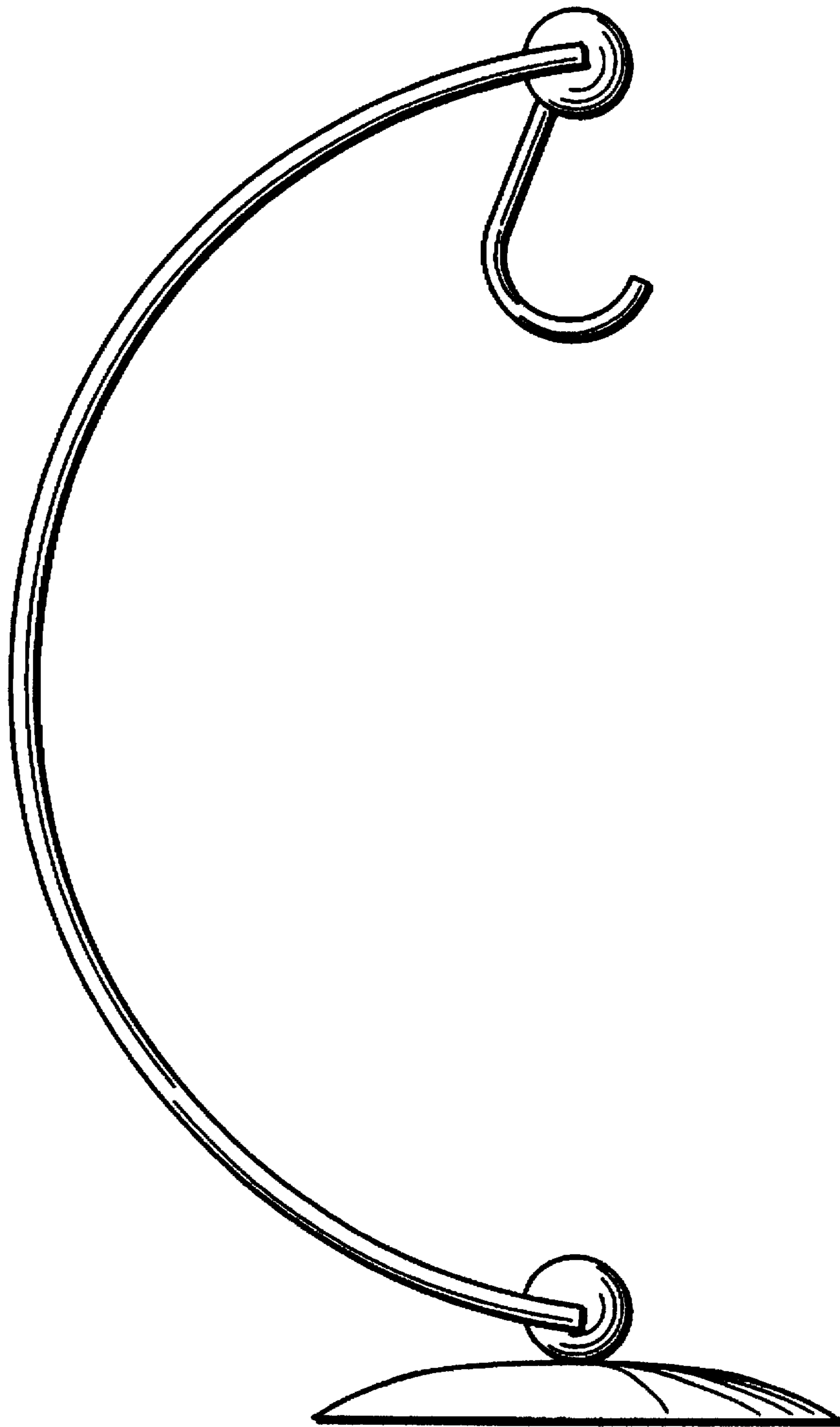


FIG. 3

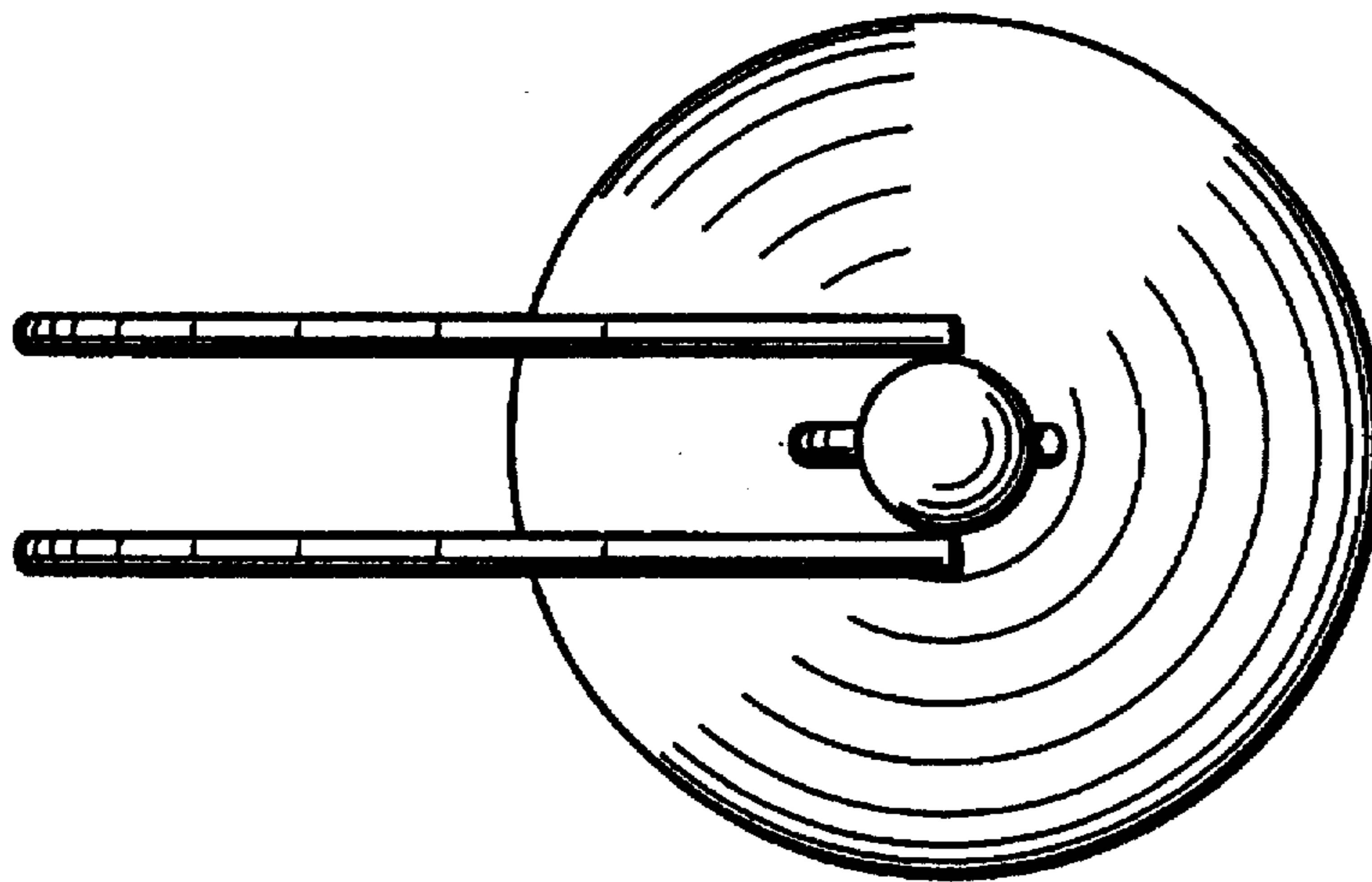


FIG. 4

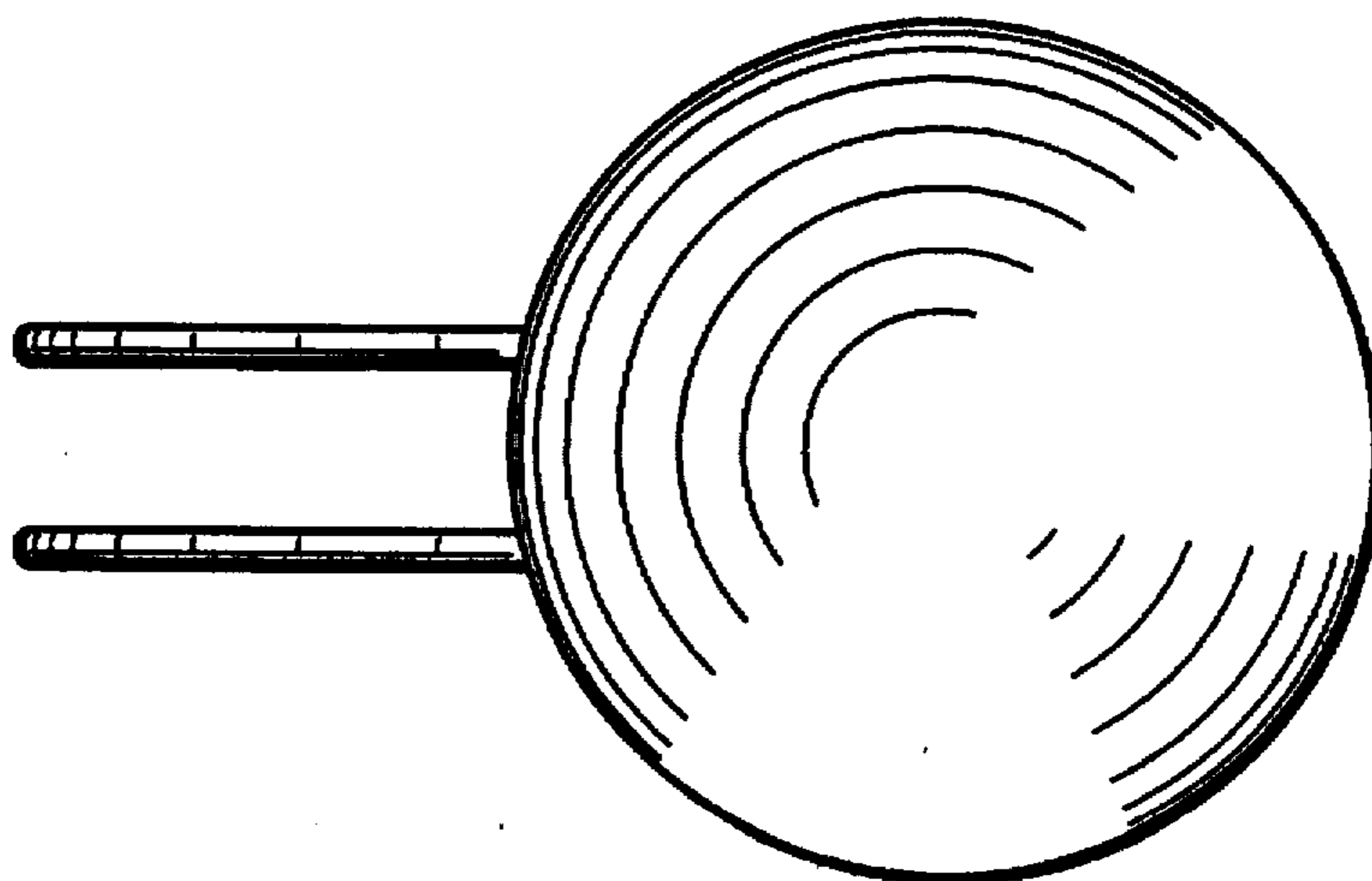


FIG. 5

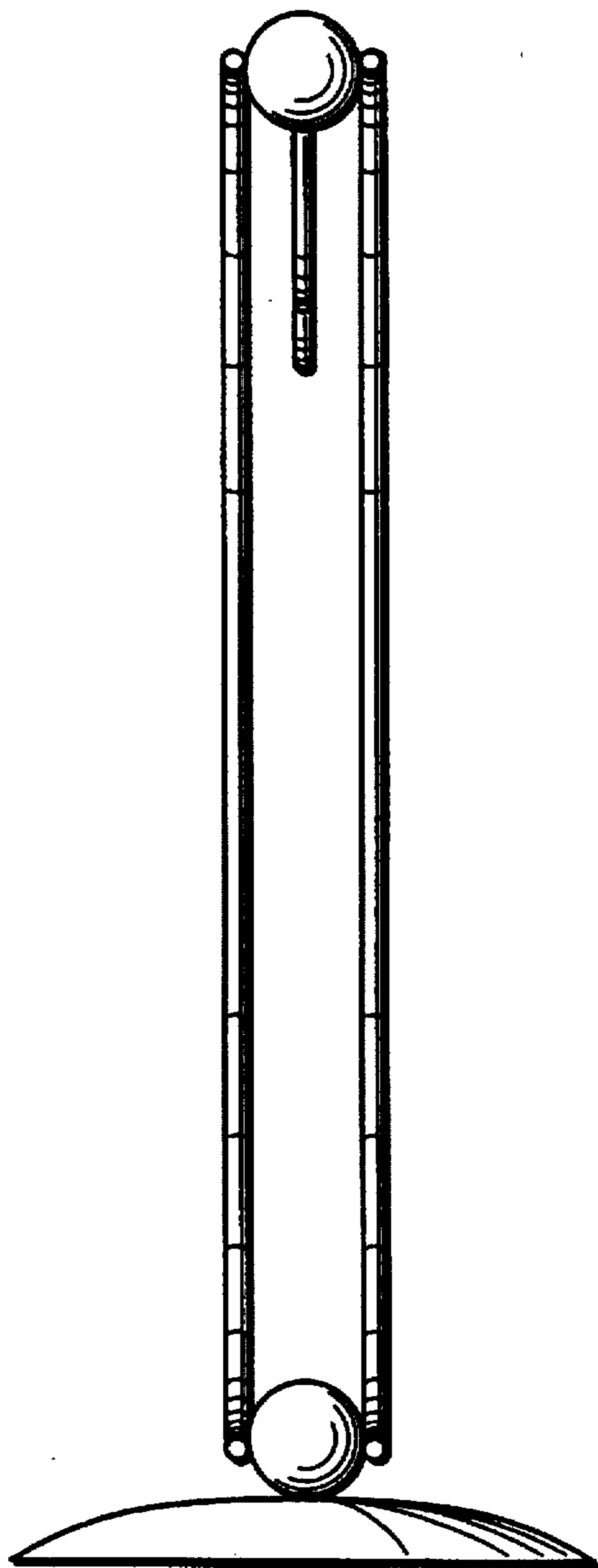


FIG. 6

