



US00D385747S

United States Patent [19]

Inoue

[11] Patent Number: **Des. 385,747**

[45] Date of Patent: ****Nov. 4, 1997**

[54] **THERMAL BEVERAGE DISPENSER**

[75] Inventor: **Tsunemichi Inoue, Osaka, Japan**

[73] Assignee: **Zojirushi Corporation, Osaka, Japan**

[**] Term: **14 Years**

[21] Appl. No.: **51,328**

[22] Filed: **Feb. 6, 1996**

[30] **Foreign Application Priority Data**

Aug. 11, 1995 [JP] Japan 7-23663

[51] LOC (6) Cl. **07-01**

[52] U.S. Cl. **D7/311**

[58] Field of Search D7/311, 313, 306,
D7/398, 397, 312, 307, 308; 222/185

[56] **References Cited**

U.S. PATENT DOCUMENTS

- D. 90,744 9/1933 Worthington D7/311
- D. 98,485 2/1936 Travis D7/306
- D. 138,363 7/1944 Giurati D7/308

- D. 164,498 9/1951 Hull D7/306
- D. 232,550 8/1974 Fushihara D7/308 X
- D. 241,219 8/1976 Martin D7/311
- D. 250,195 11/1978 Salmans et al. D7/311
- D. 288,164 2/1987 Stützer et al. D7/311 X
- D. 317,545 6/1991 Lambert et al. D7/307

Primary Examiner—M. N. Pandozzi
Attorney, Agent, or Firm—Armstrong, Westerman, Hattori,
McClelland & Naughton

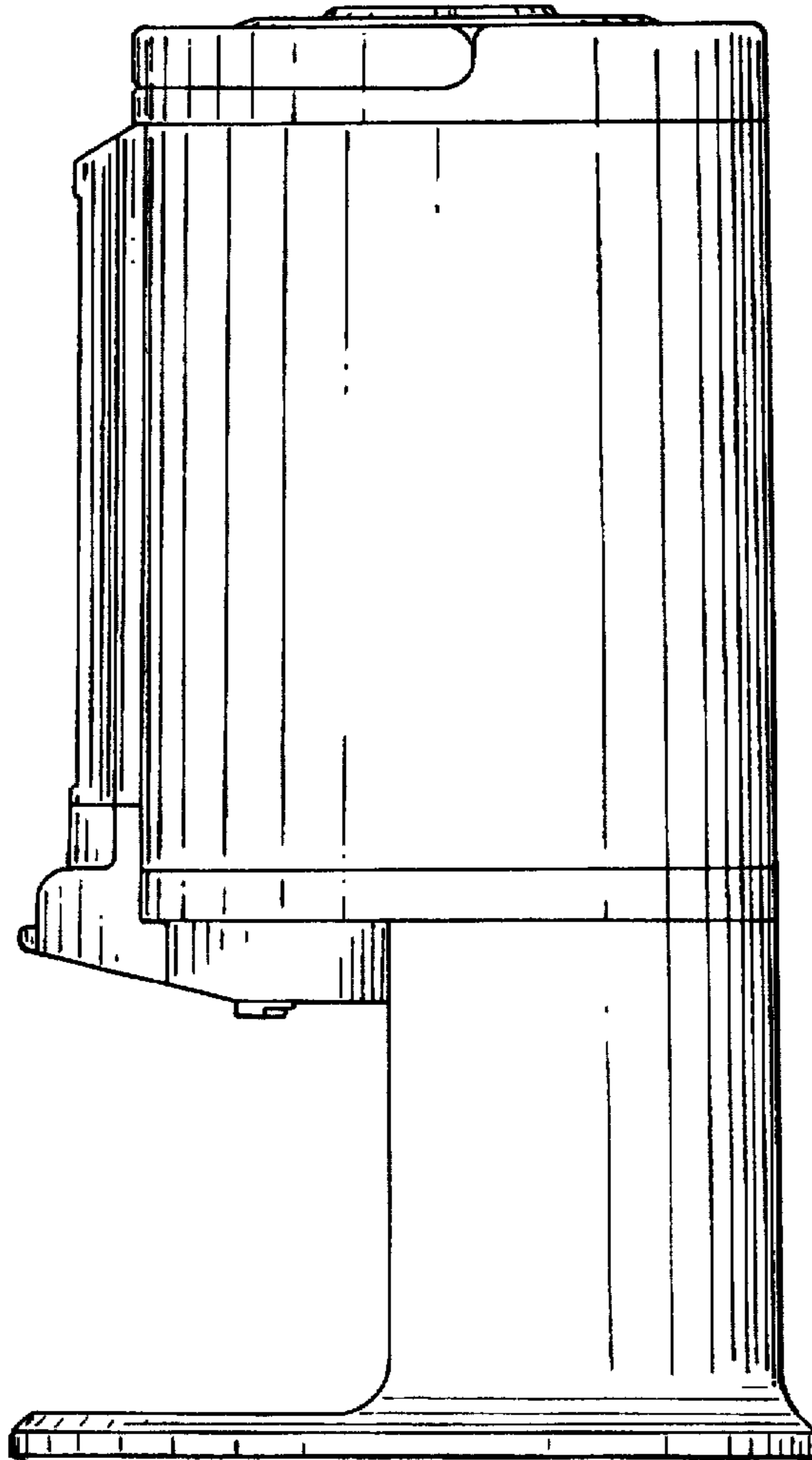
[57] **CLAIM**

The ornamental design for a thermal beverage dispenser, as shown and described.

DESCRIPTION

FIG. 1 is a front elevation view of a thermal beverage dispenser of my new design;
FIG. 2 is a rear elevational view thereof;
FIG. 3 is a top view thereof;
FIG. 4 is a bottom view thereof; and,
FIG. 5 is a right side elevational view, the left side elevational view being a mirror image thereof.

1 Claim, 3 Drawing Sheets



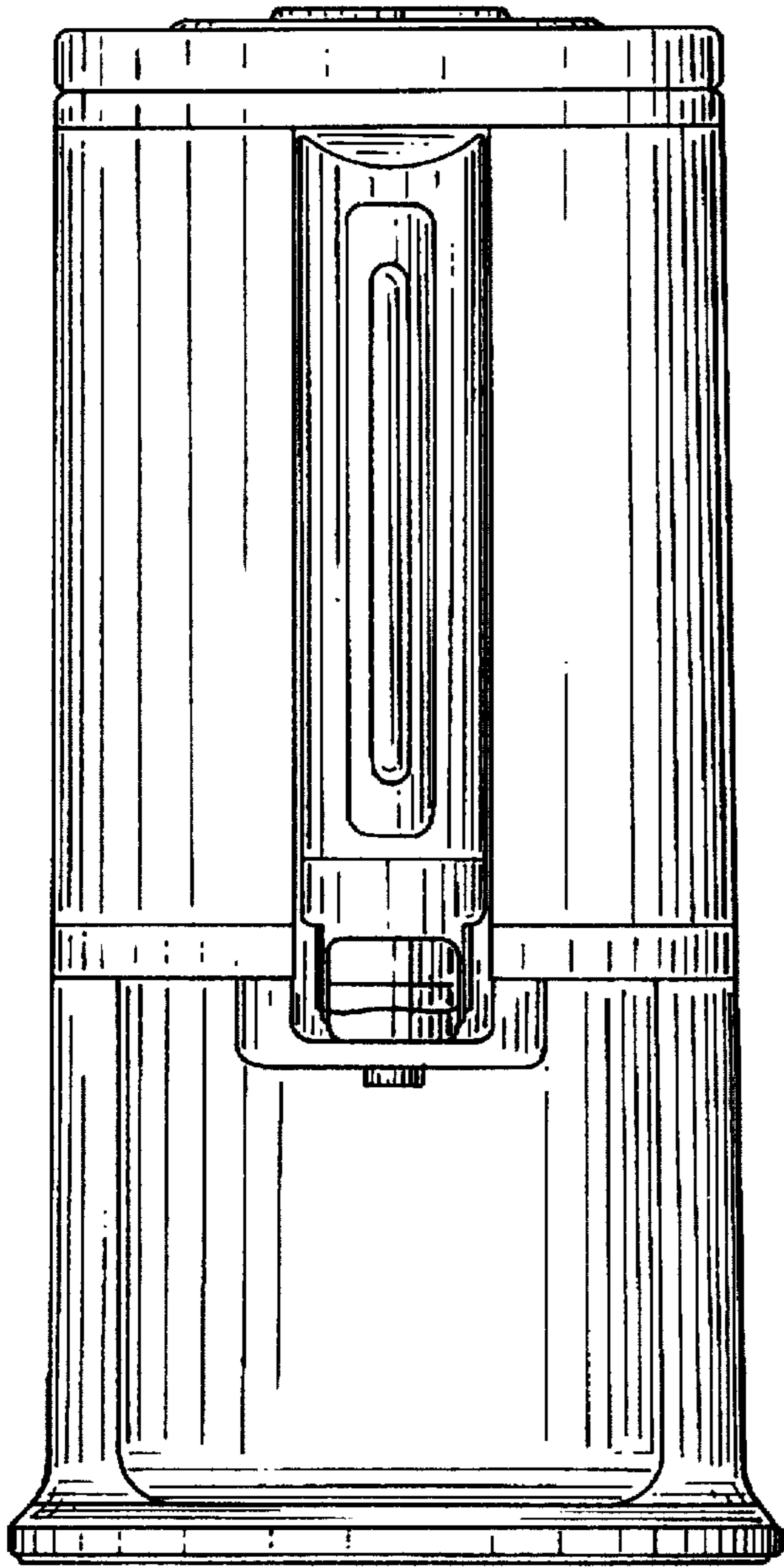


FIG. 1

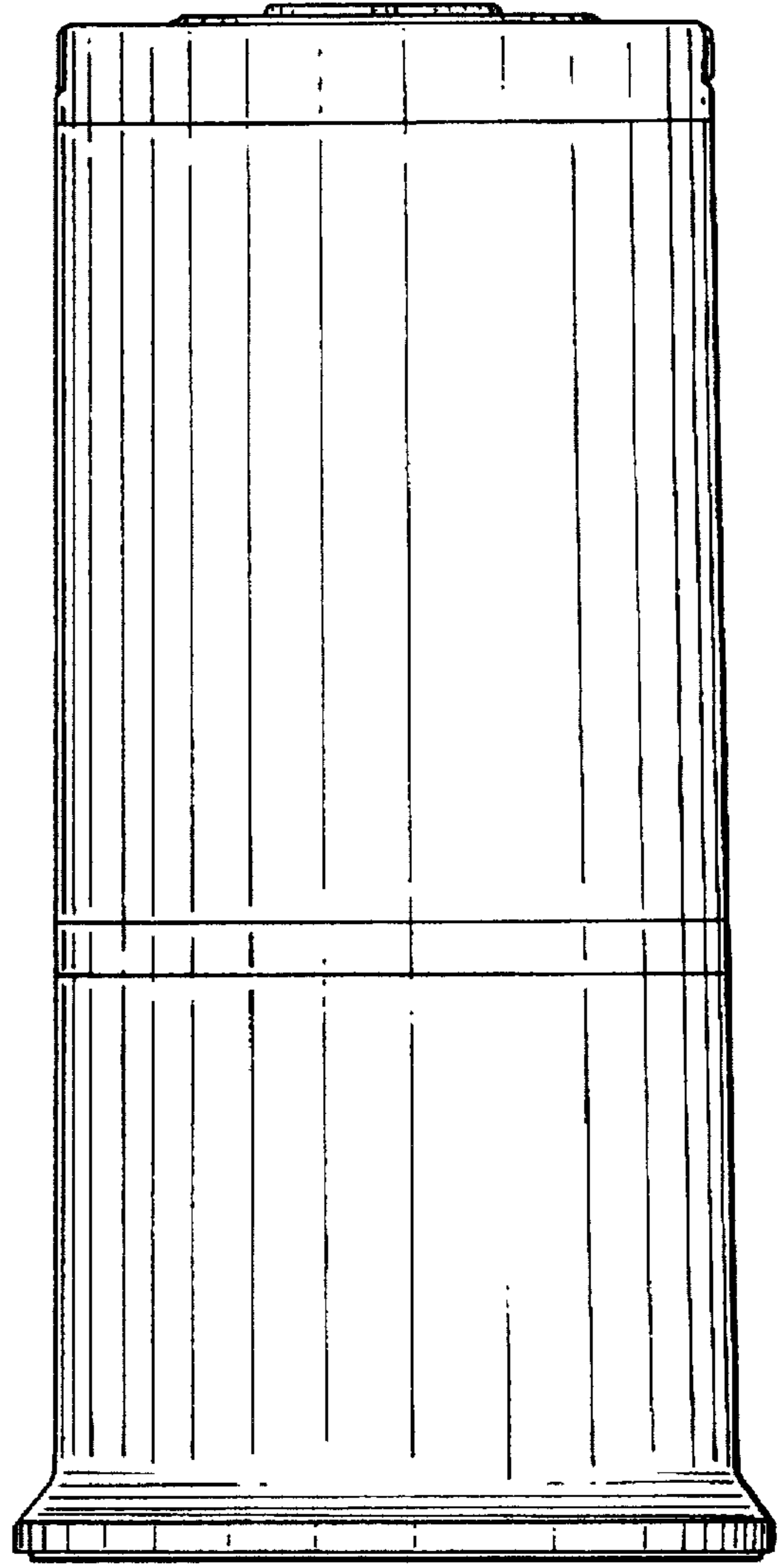


FIG. 2

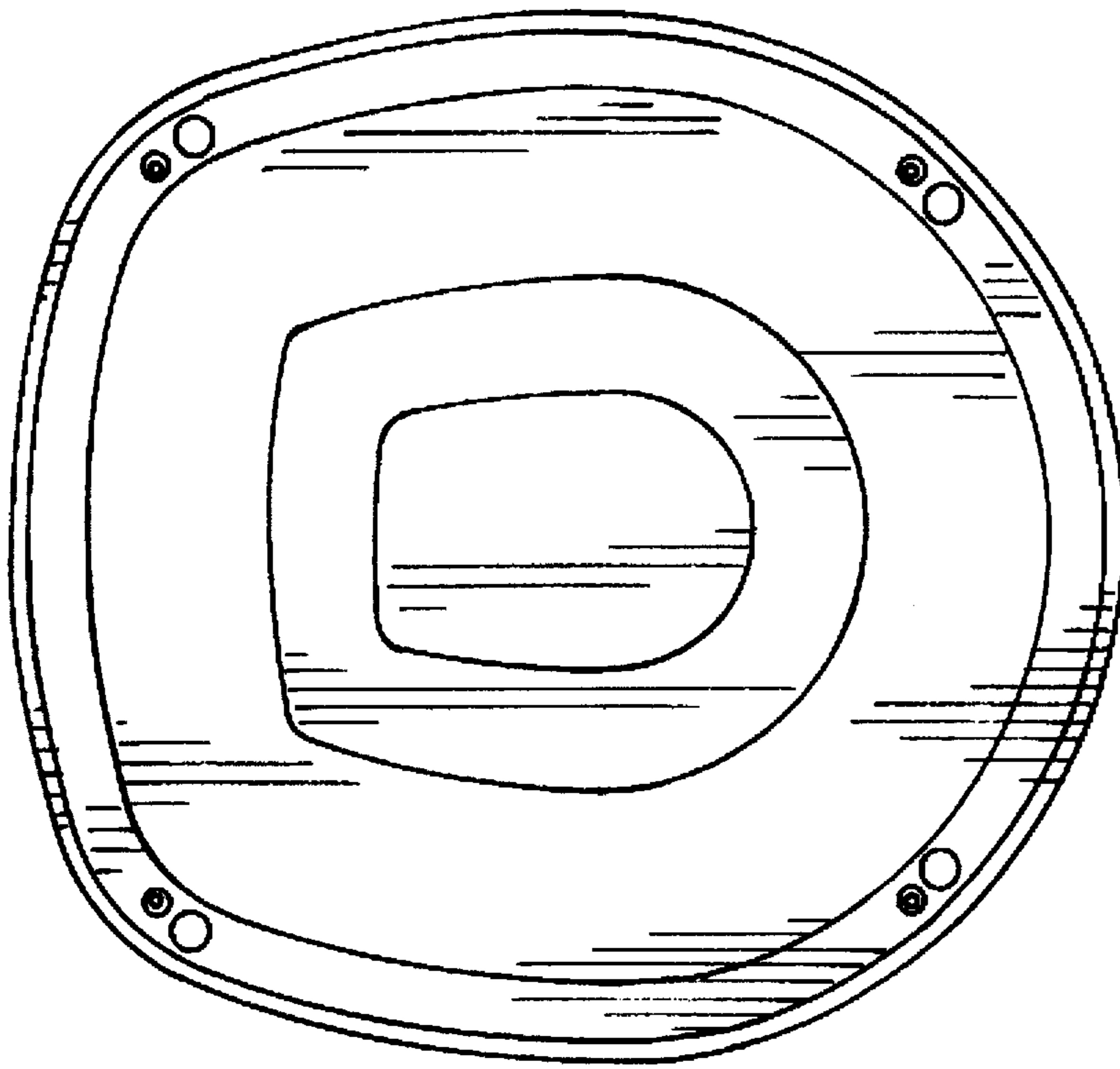


FIG. 4

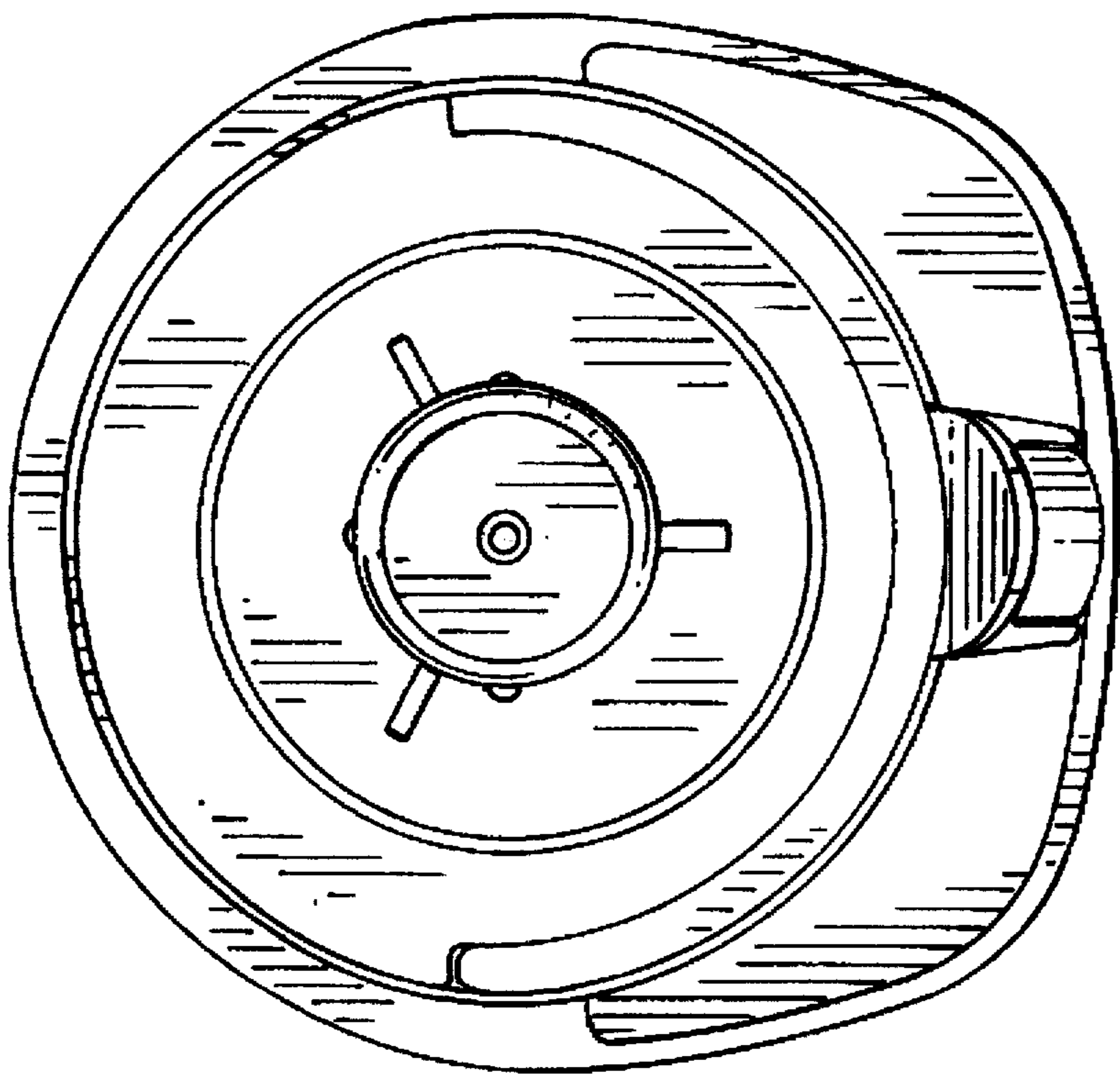


FIG. 3

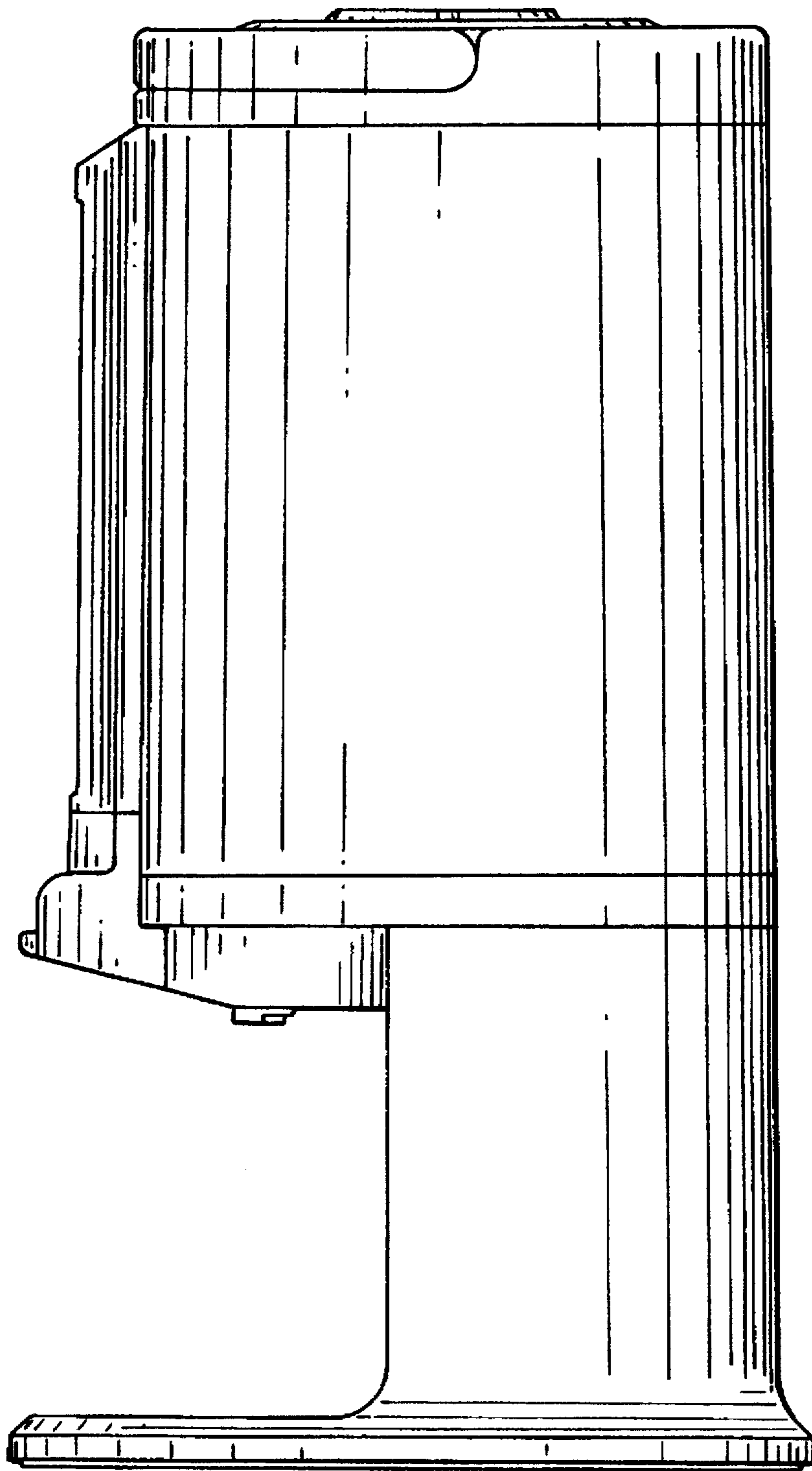


FIG. 5