



US00D385744S

# United States Patent [19]

Boothe

[11] Patent Number: **Des. 385,744**

[45] Date of Patent: **\*\*Nov. 4, 1997**

## [54] COMPACT DISK RECEPTACLE

[76] Inventor: **Lon Boothe**, 1030 S. Dobson #299, Mesa, Ariz. 85202

[\*\*] Term: **14 Years**

[21] Appl. No.: **46,451**

[22] Filed: **Nov. 15, 1995**

[51] LOC (6) Cl. .... **06-04**

[52] U.S. Cl. .... **D6/630; D6/457**

[58] Field of Search ..... D6/407, 449, 627-635, D6/455, 457, 461, 468, 477-479; 312/108, 111, 9.1, 9.9, 9.16, 9.45, 9.46, 9.48, 9.51, 9.52, 9.53, 9.55, 9.56; 206/307, 308.1, 307.1, 387.1, 387.15, 454, 445; 211/40-42, 163; D34/28

## [56] References Cited

### U.S. PATENT DOCUMENTS

D. 227,190	6/1973	McKinsey	.....	D6/631
D. 250,791	1/1979	Mauri	.....	D6/457 X
D. 308,129	5/1990	Walden	.....	D6/407 X
D. 323,931	2/1992	Haynes	.....	D3/35
D. 329,548	9/1992	Wells et al.	.....	D6/407
D. 351,513	10/1994	Kreppin	.....	D6/407
3,170,741	2/1965	Richards, Jr.	.....	312/9.46
3,576,340	4/1971	Jones et al.	.....	D6/633 X
5,176,264	1/1993	De Palma	.....	211/40

Primary Examiner—Jeffrey Asch

## [57] CLAIM

The ornamental design for a compact disk receptacle, as shown and described.

## DESCRIPTION

FIG. 1 is a side elevational view of a compact disk receptacle showing my new design;

FIG. 2 is a side elevational view of the central stand wherein the stacked plates have been removed for convenience of illustration;

FIG. 3 is a top plan view of the central stand as shown in FIG. 2;

FIG. 4 is a bottom plan view of one of the stacked plates shown removed from the central stand for convenience of illustration;

FIG. 5 is a top plan view of the single plate shown in FIG. 4;

FIG. 6 is a bottom plan view of one of the lid shown removed from the central stand for convenience of illustration;

FIG. 7 is a top plan view of the lid shown in FIG. 6;

FIG. 8 is a side elevational view of the single plate shown in FIG. 4;

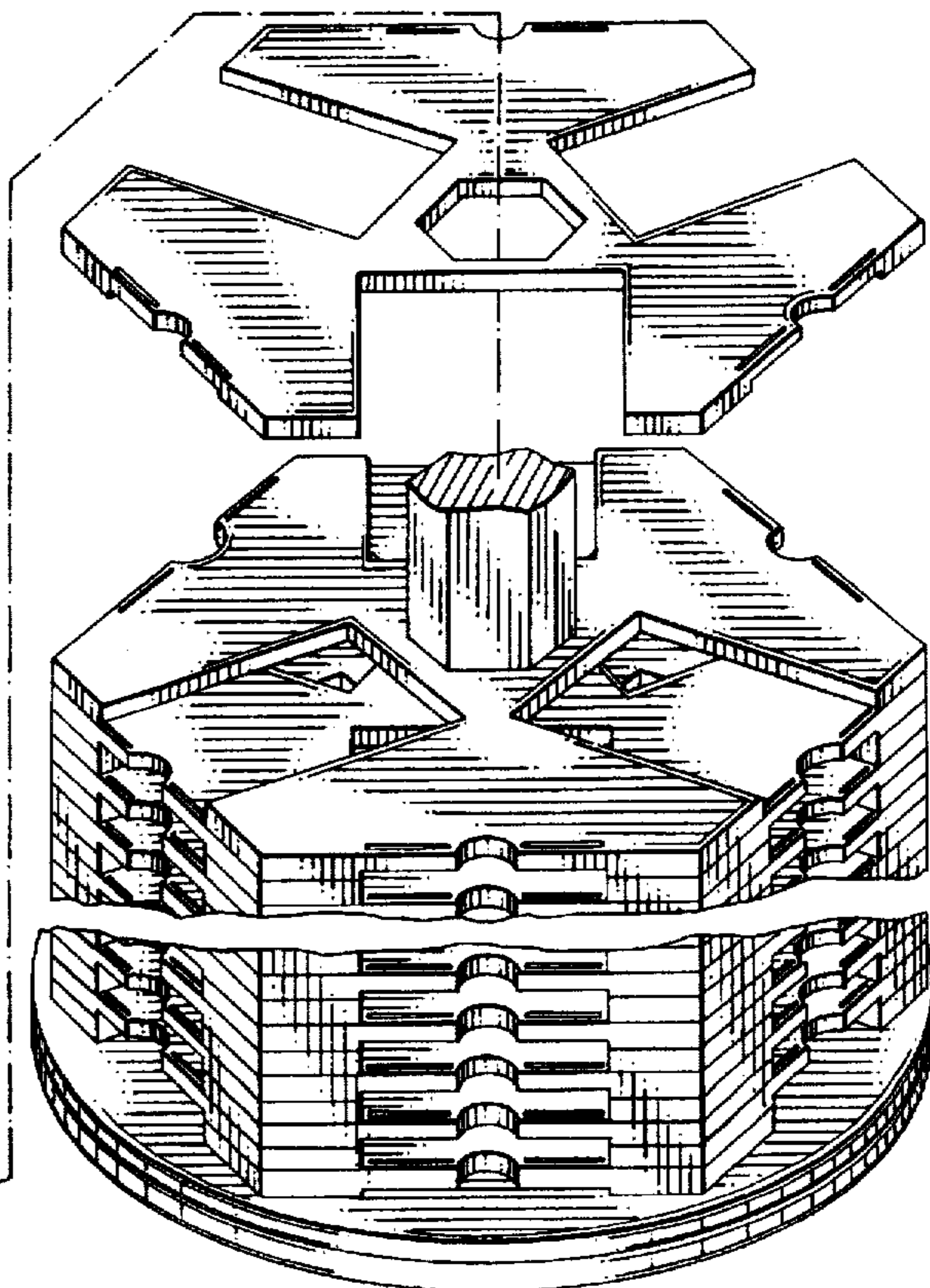
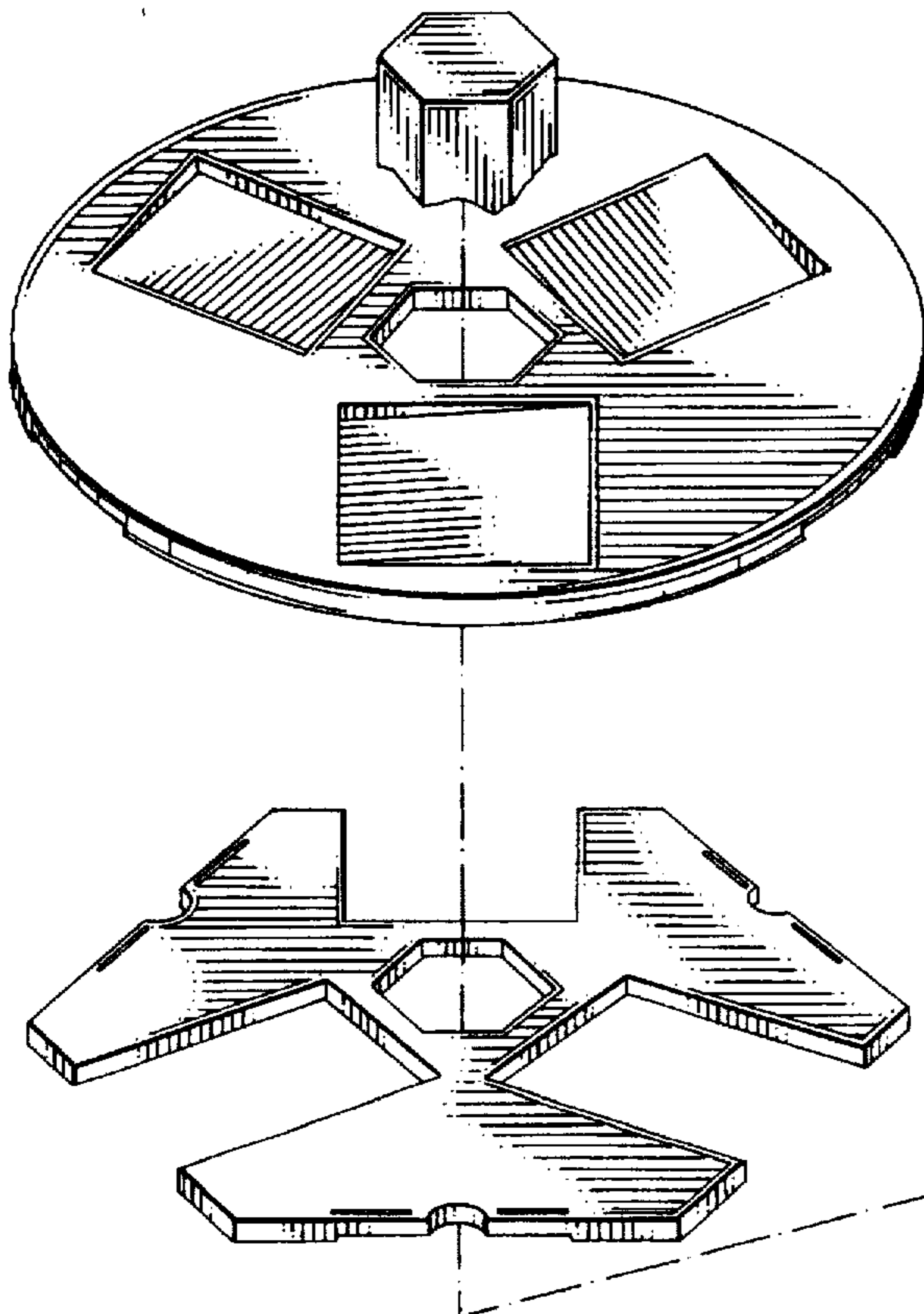
FIG. 9 is a sectional view taken along line 9—9 of FIG. 4;

FIG. 10 is a sectional view taken along line 10—10 of FIG. 7; and,

FIG. 11 is a partial exploded view thereof.

The central post as best seen in FIGS. 1, 2, and 11 is of indeterminate length.

1 Claim, 5 Drawing Sheets



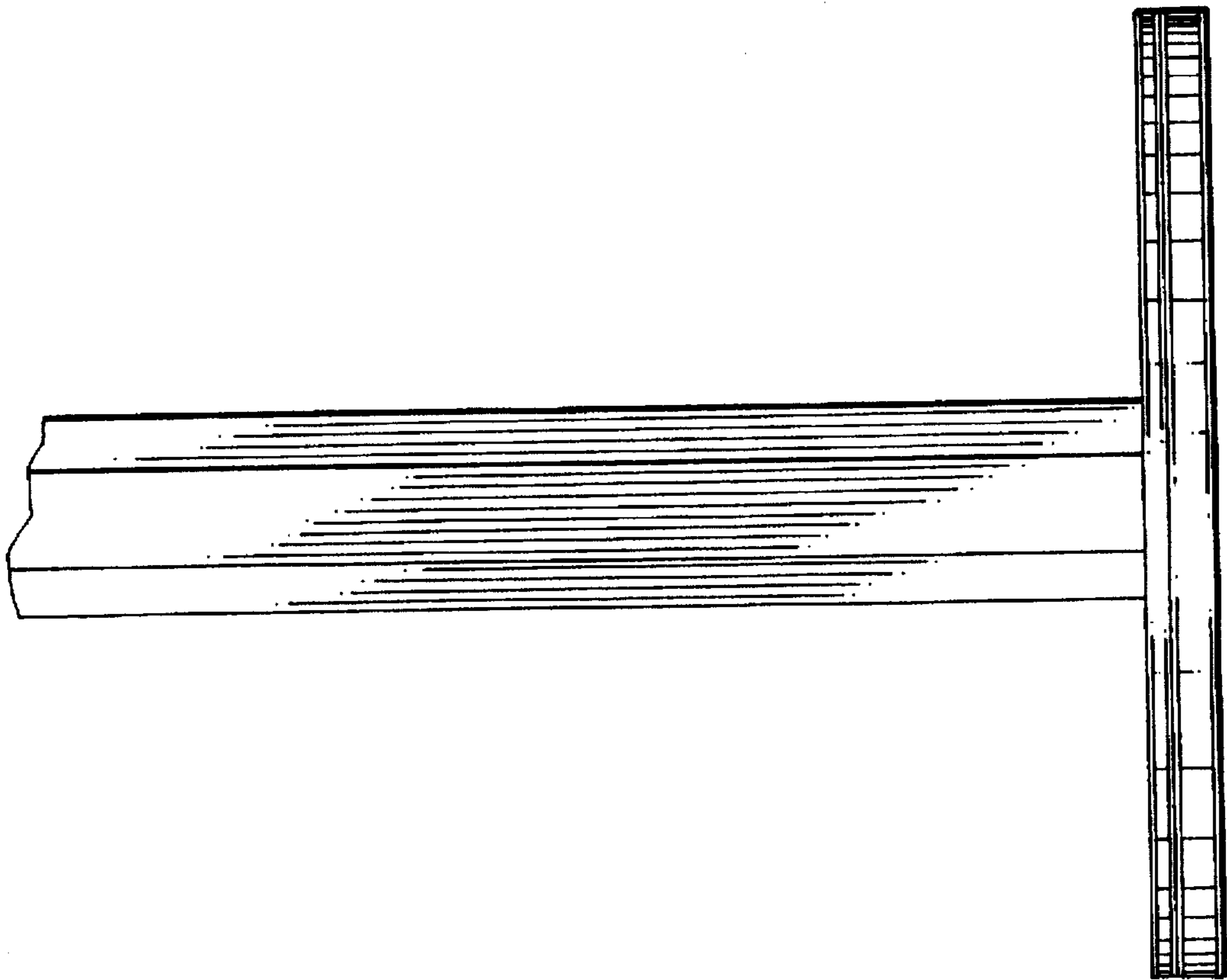


FIG. 2

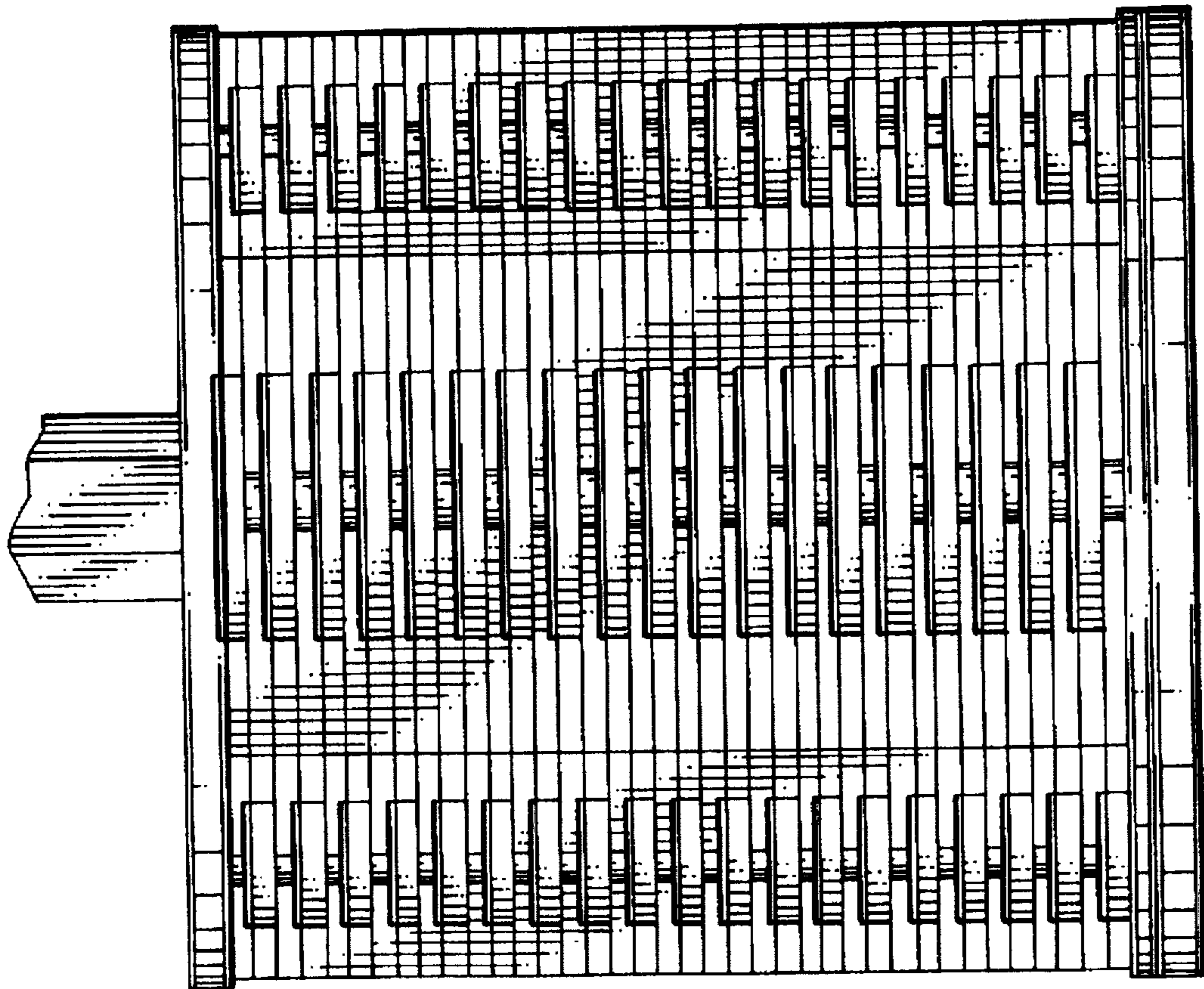


FIG. 1

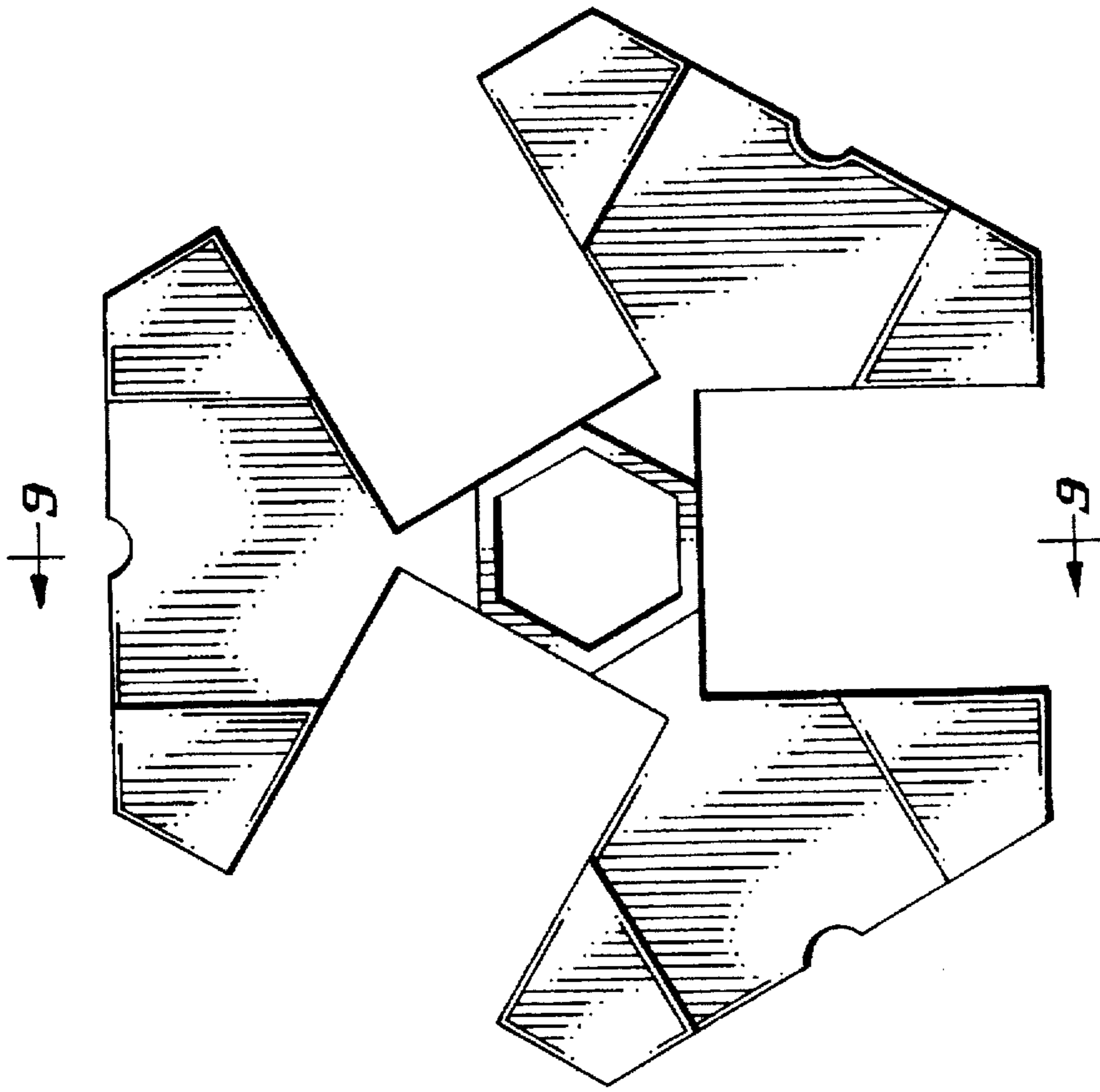


FIG 4

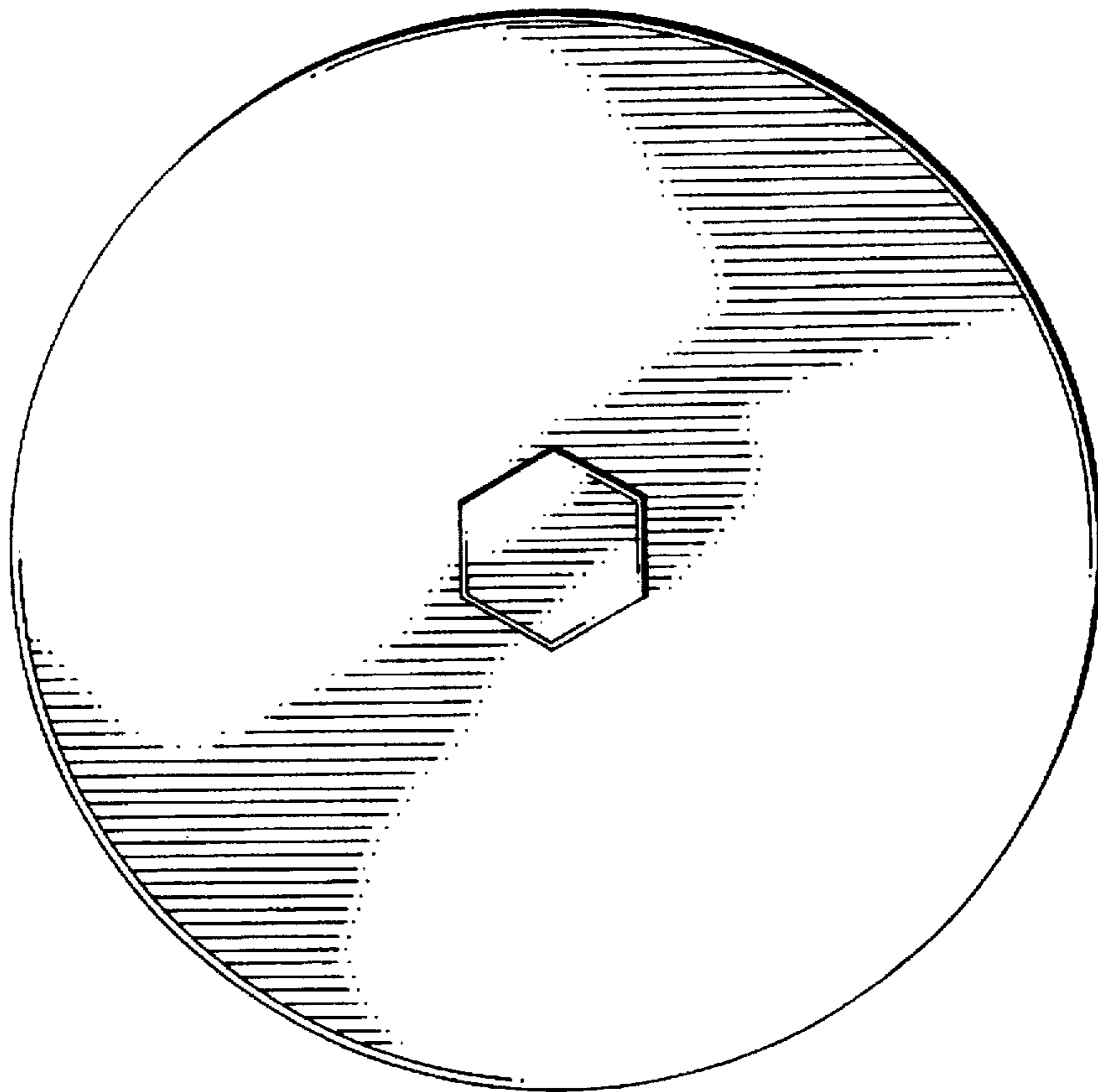
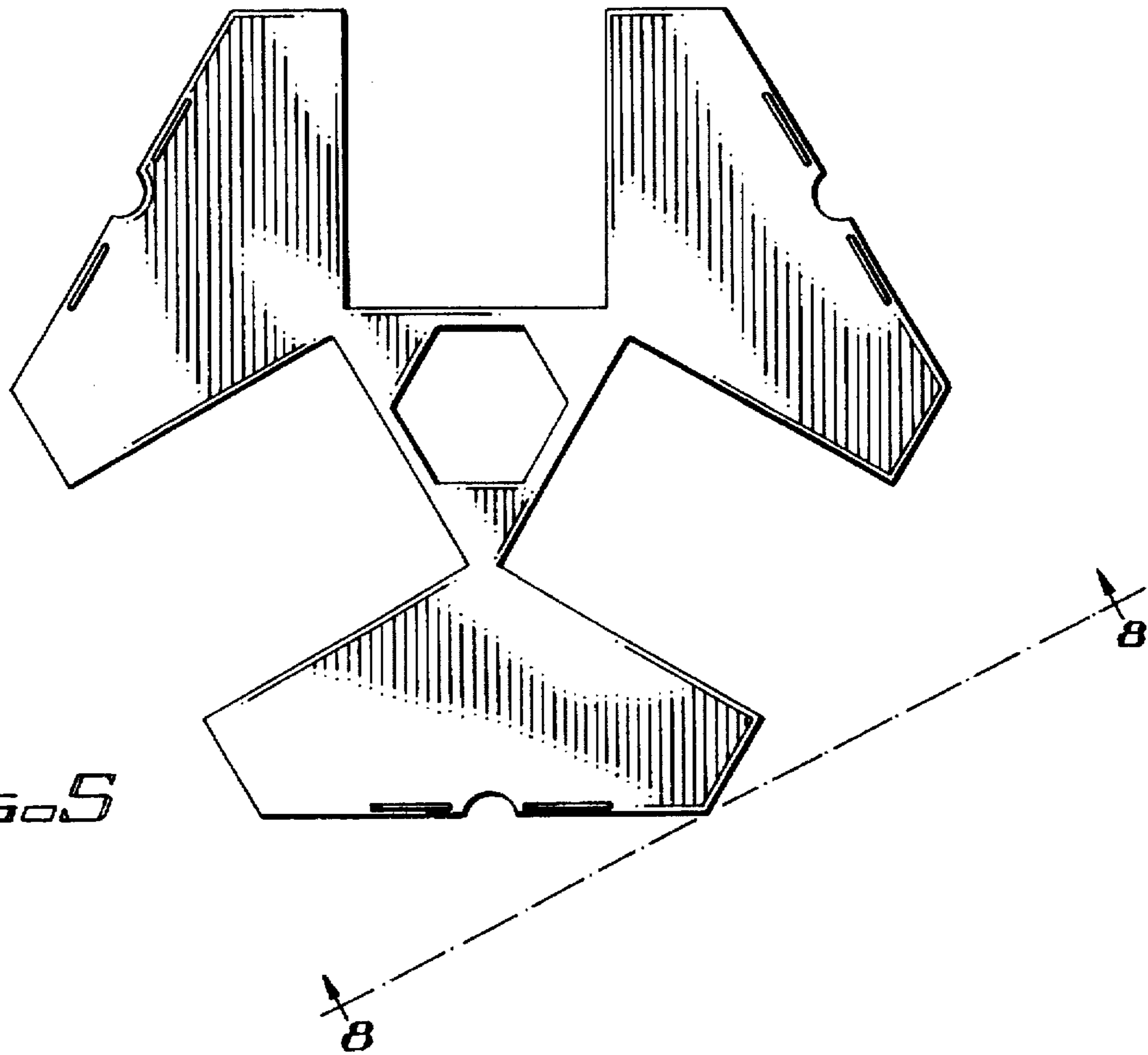


FIG 3



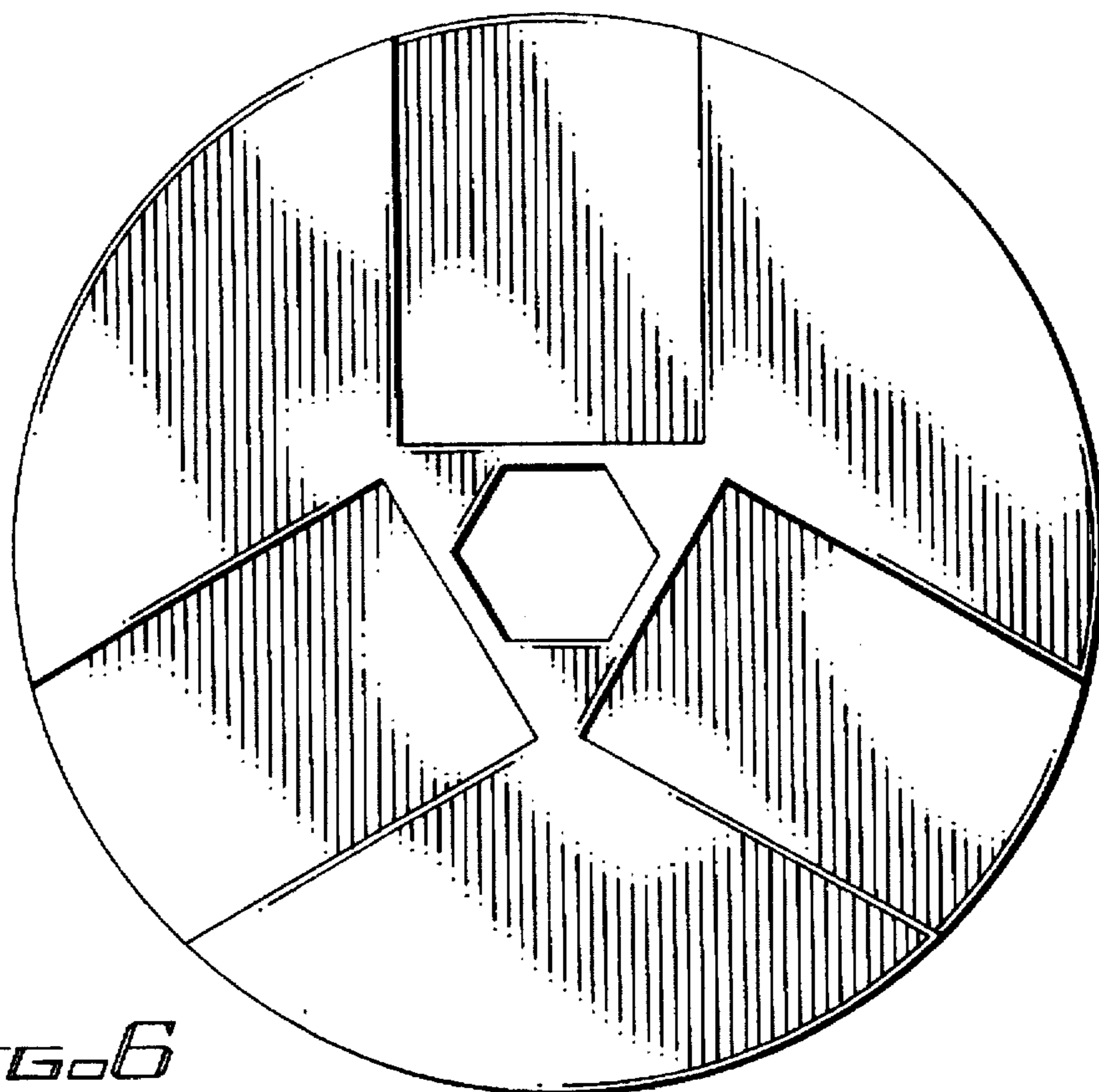
*FIG. 8*



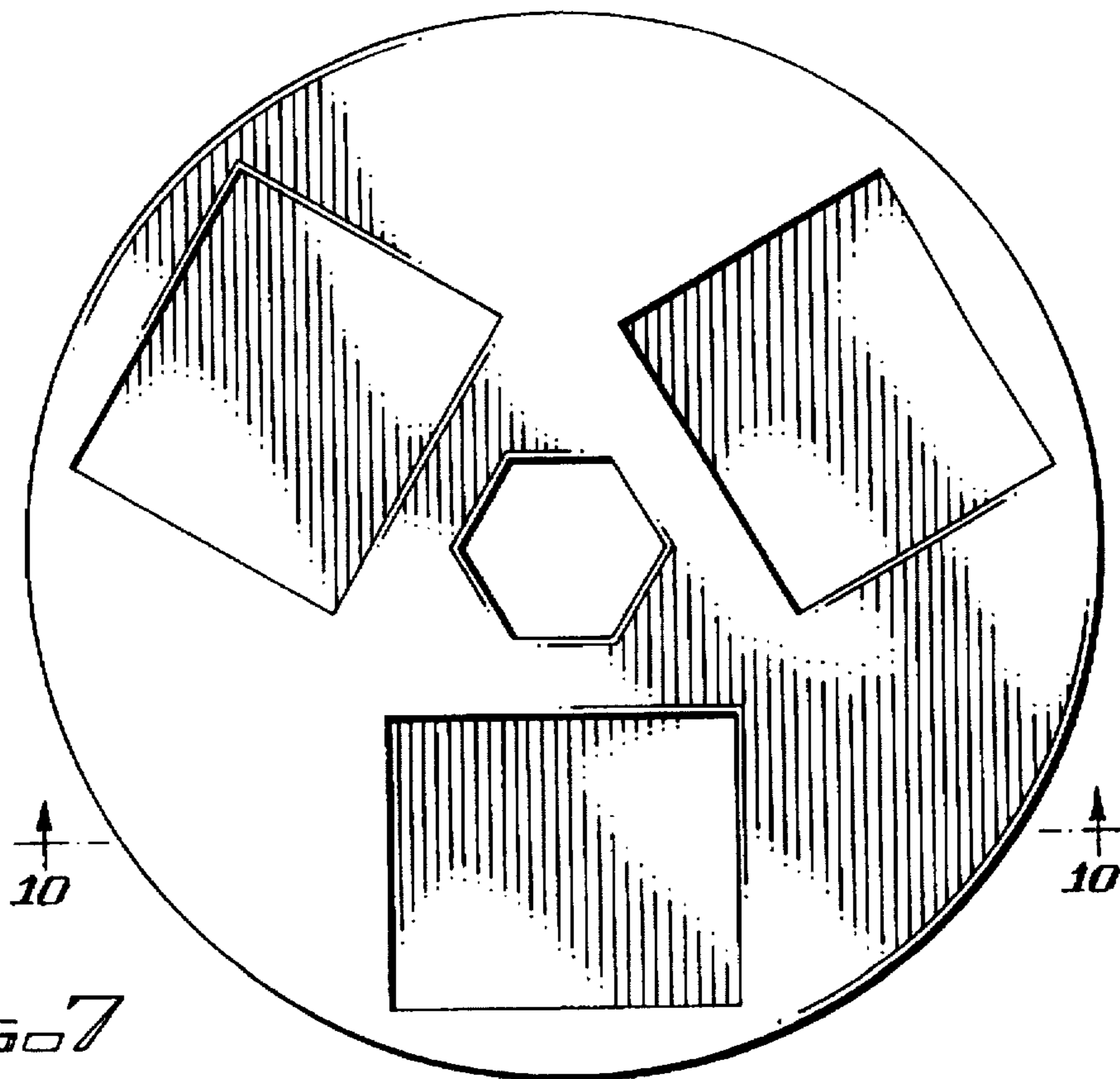
*FIG. 9*



*FIG. 10*



*FIG. 6*



*FIG. 7*

