

US00D385743S

United States Patent [19]
Eldridge

[11] **Patent Number:** **Des. 385,743**
[45] **Date of Patent:** ****Nov. 4, 1997**

[54] **TOWEL**

3,245,382 4/1966 Easley et al. 297/485
4,656,670 4/1987 Schluter D6/608

[76] **Inventor:** **Paul Eldridge, 22 Boomerang Street,
Maroubra, New South Wale, Australia**

Primary Examiner—Janice E. Seeger
Attorney, Agent, or Firm—Abelman, Frayne & Schwab

[**] **Term:** **14 Years**

[57] **CLAIM**

[21] **Appl. No.:** **58,688**

The ornamental design for a towel, as shown and described.

[22] **Filed:** **Aug. 20, 1996**

DESCRIPTION

[51] **LOC (6) Cl.** **06-13**

FIG. 1 is a top, side and end perspective view of one form thereof;

[52] **U.S. Cl.** **D6/608; D6/595; D6/601**

FIG. 2 is a bottom plan view thereof;

[58] **Field of Search** **D6/595, 596, 601-603,
D6/608, 609; 5/417-420, 482, 502, 495;
297/485; D24/189; D2/861**

FIG. 3 is a top, side and end perspective view of an alternate form thereof; and,

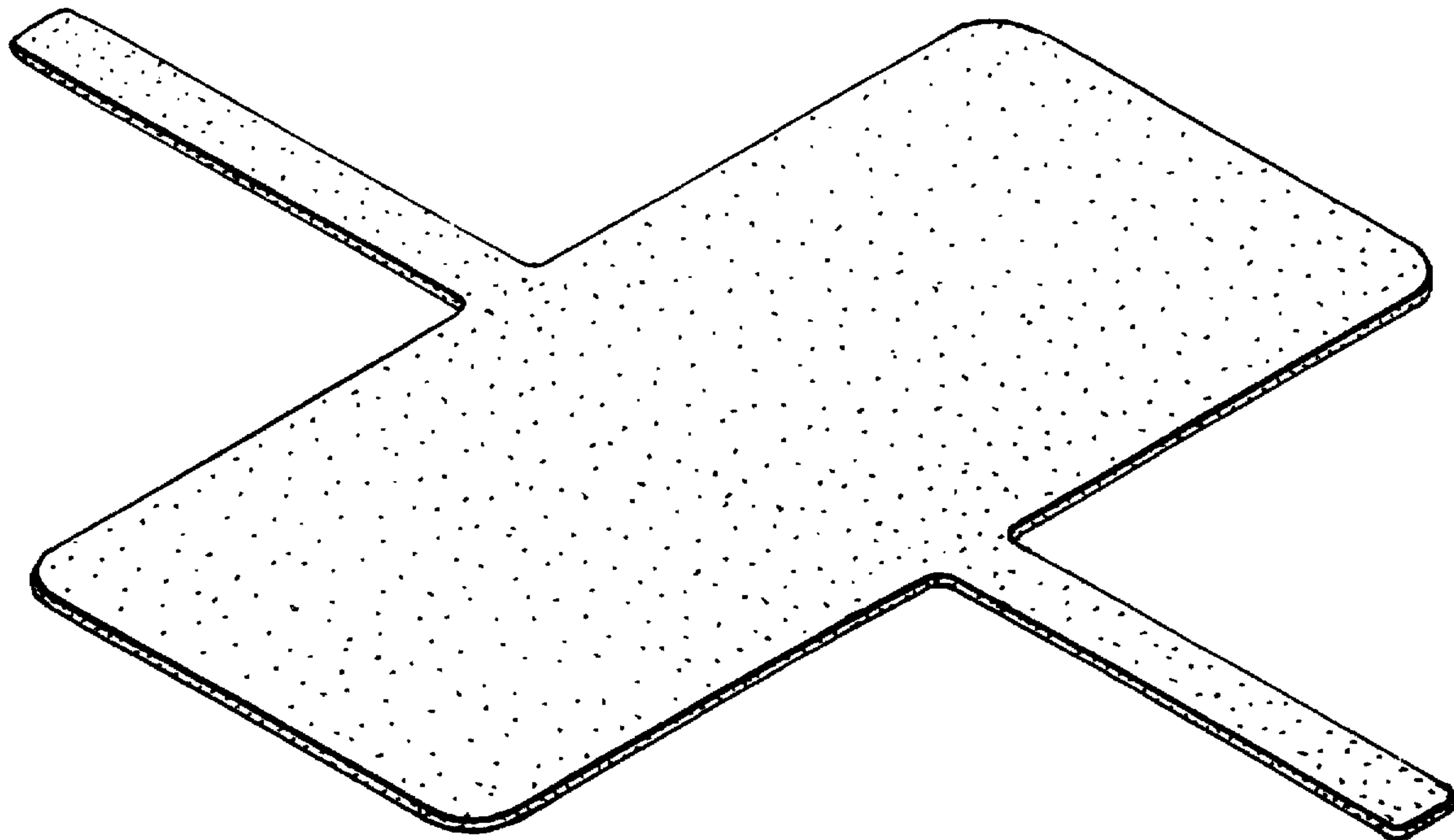
[56] **References Cited**

FIG. 4 is a bottom plan thereof.

U.S. PATENT DOCUMENTS

D. 311,087 10/1990 Pickard D6/603 X

1 Claim, 2 Drawing Sheets



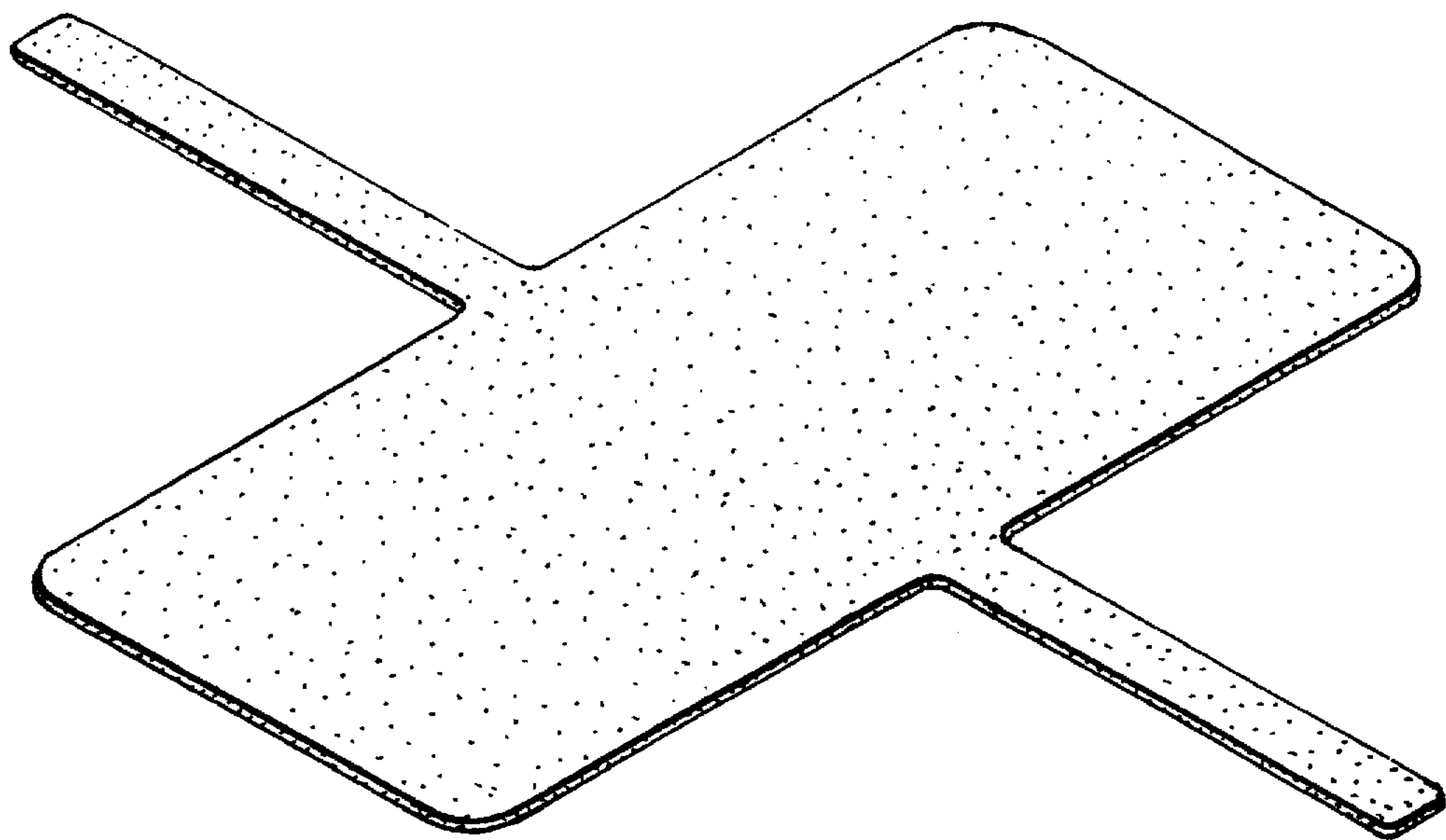


FIG. 1

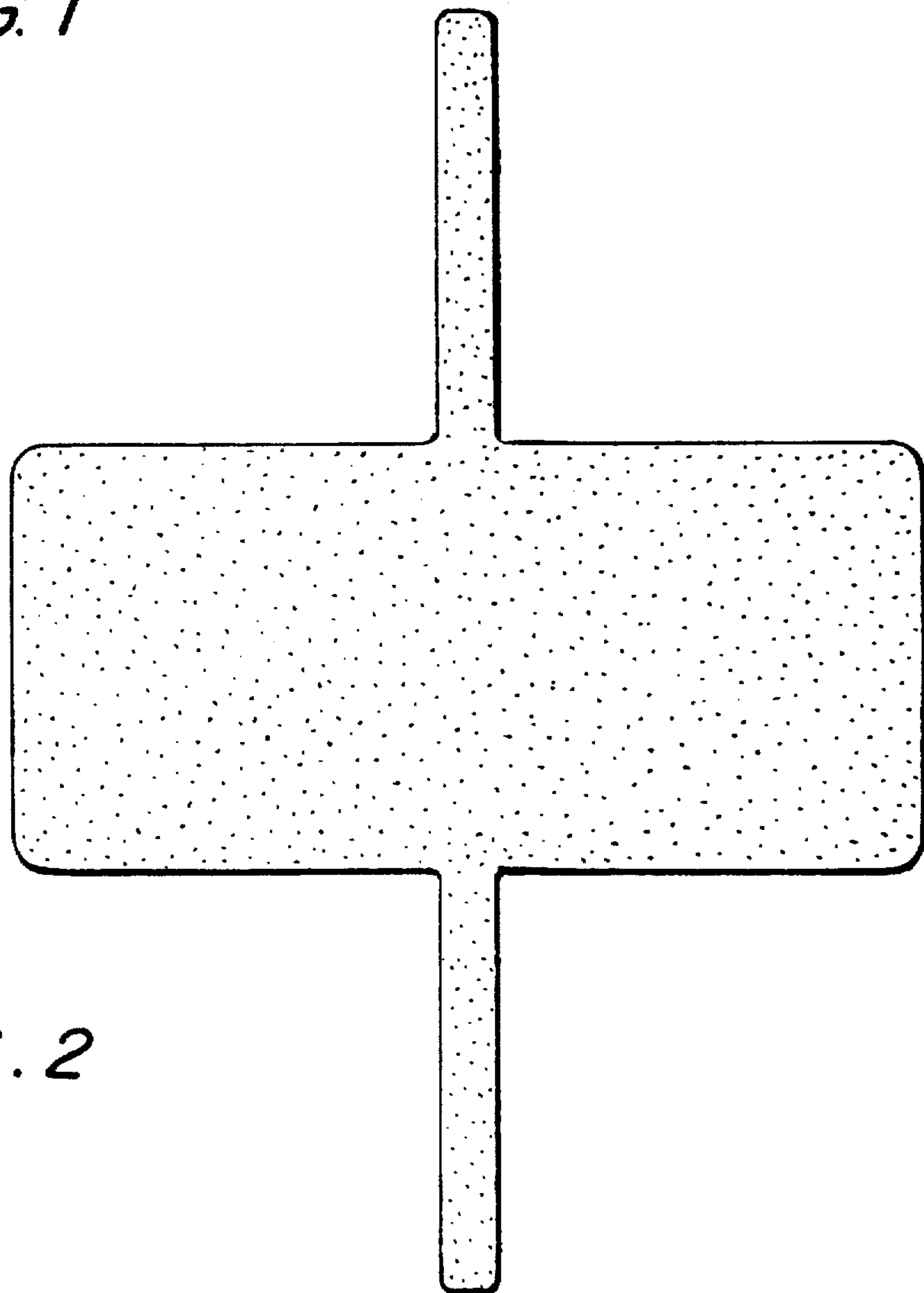


FIG. 2

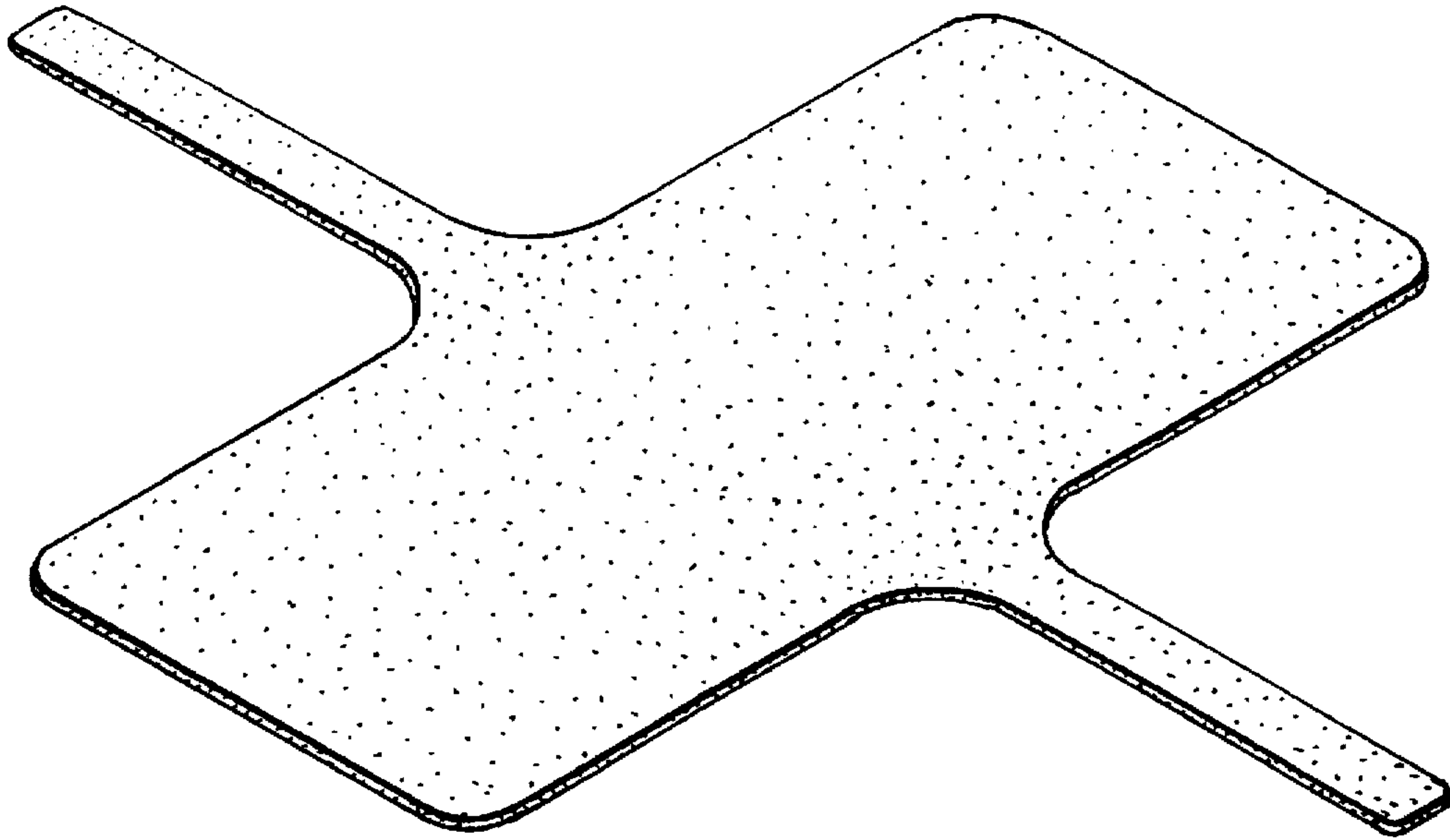


FIG. 3

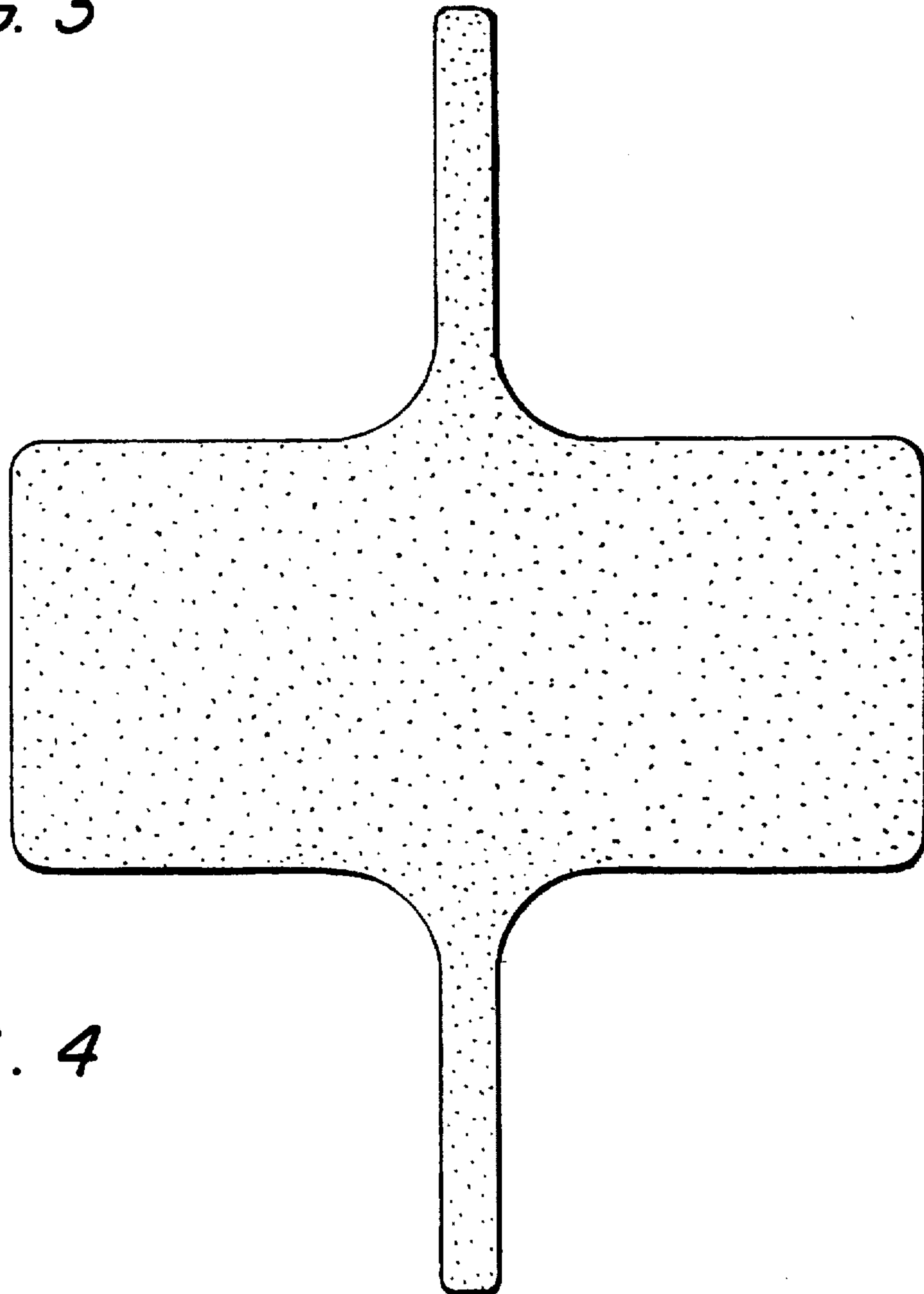


FIG. 4