



US00D385738S

United States Patent [19]

Baker et al.

[11] Patent Number: **Des. 385,738**

[45] Date of Patent: ****Nov. 4, 1997**

[54] **PRODUCT DISPLAY HANGERS**

[75] Inventors: **D. Michael Baker**, Louisville, Ky.;
Archer D. Wright, Glen Allen, Va.

[73] Assignee: **Credo Tool Company**, Woodburn,
Oreg.

[**] Term: **14 Years**

[21] Appl. No.: **60,477**

[22] Filed: **Sep. 30, 1996**

[51] LOC (6) Cl. **08-08**

[52] U.S. Cl. **D6/566**

[58] Field of Search D6/566; 211/44,
211/54.1, 70.6, 86, 181; 248/220.21, 220.31

[56] **References Cited**

U.S. PATENT DOCUMENTS

- D. 214,219 5/1969 Swartz D6/566
- D. 326,564 6/1992 Emery D6/566

- D. 356,916 4/1995 Chadwick D6/566
- D. 363,208 10/1995 Seidel D6/566

Primary Examiner—Brian N. Vinson
Attorney, Agent, or Firm—Polster, Lieder, Woodruff &
Lucchesi

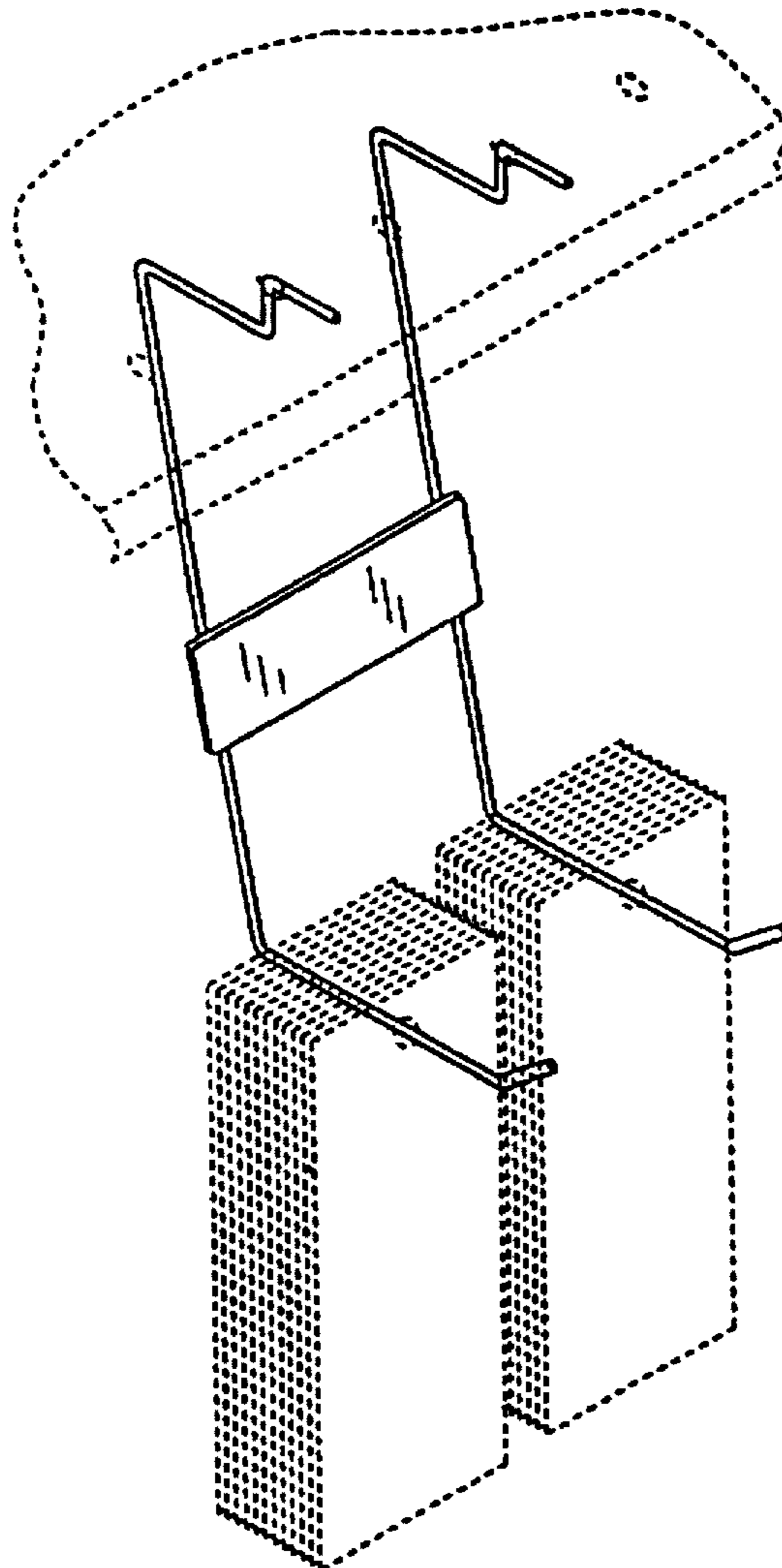
[57] **CLAIM**

The ornamental design for product display hangers, as shown and described.

DESCRIPTION

FIG. 1 is a top, front, and left side perspective view of product display hangers showing our new design, the broken-line disclosure being for illustrative purposes only and forming no part of the claimed design;
FIG. 2 is front elevational view thereof;
FIG. 3 is a rear elevational view thereof;
FIG. 4 is a left side elevational view thereof;
FIG. 5 is a right side elevational view thereof;
FIG. 6 is a top plan view thereof; and,
FIG. 7 is a bottom plan view thereof.

1 Claim, 1 Drawing Sheet



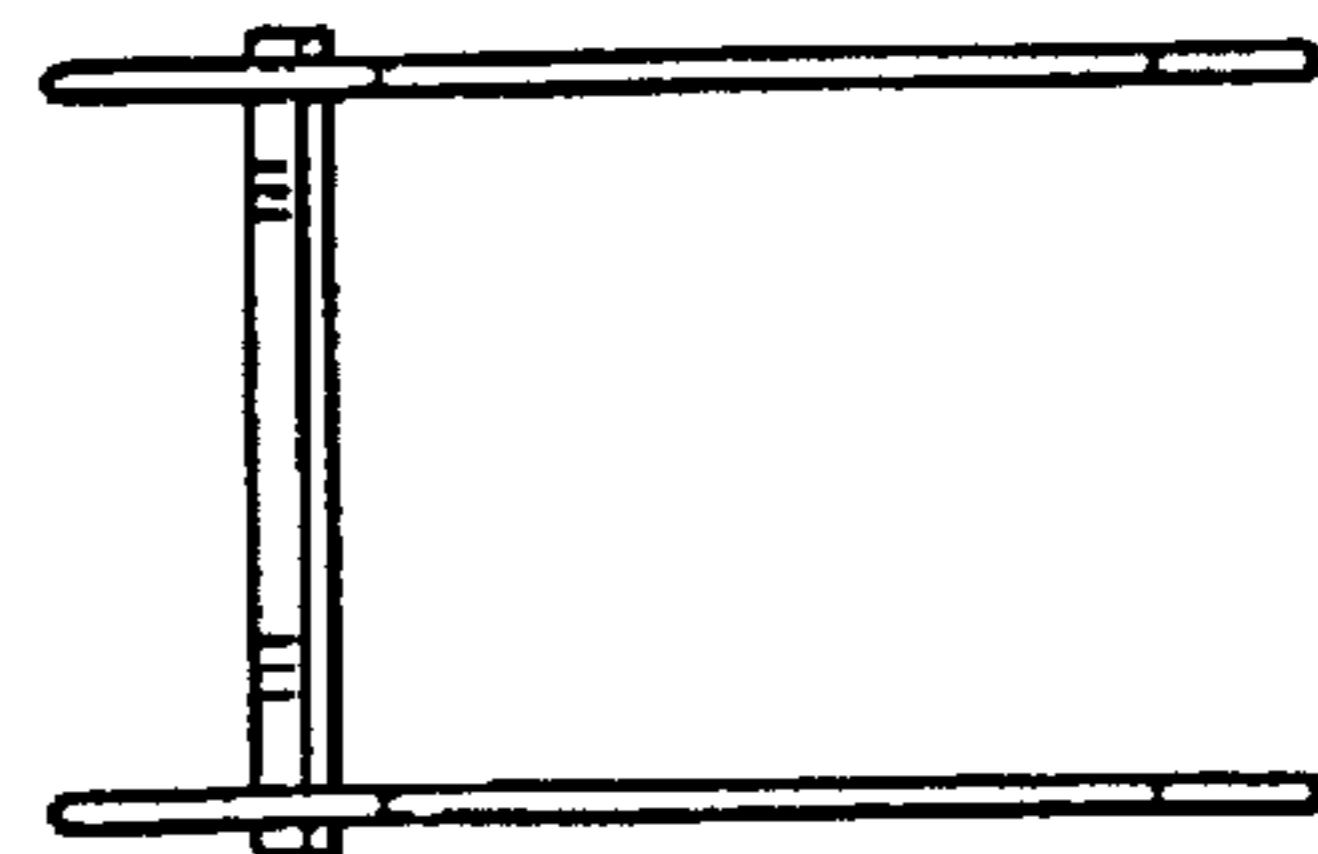
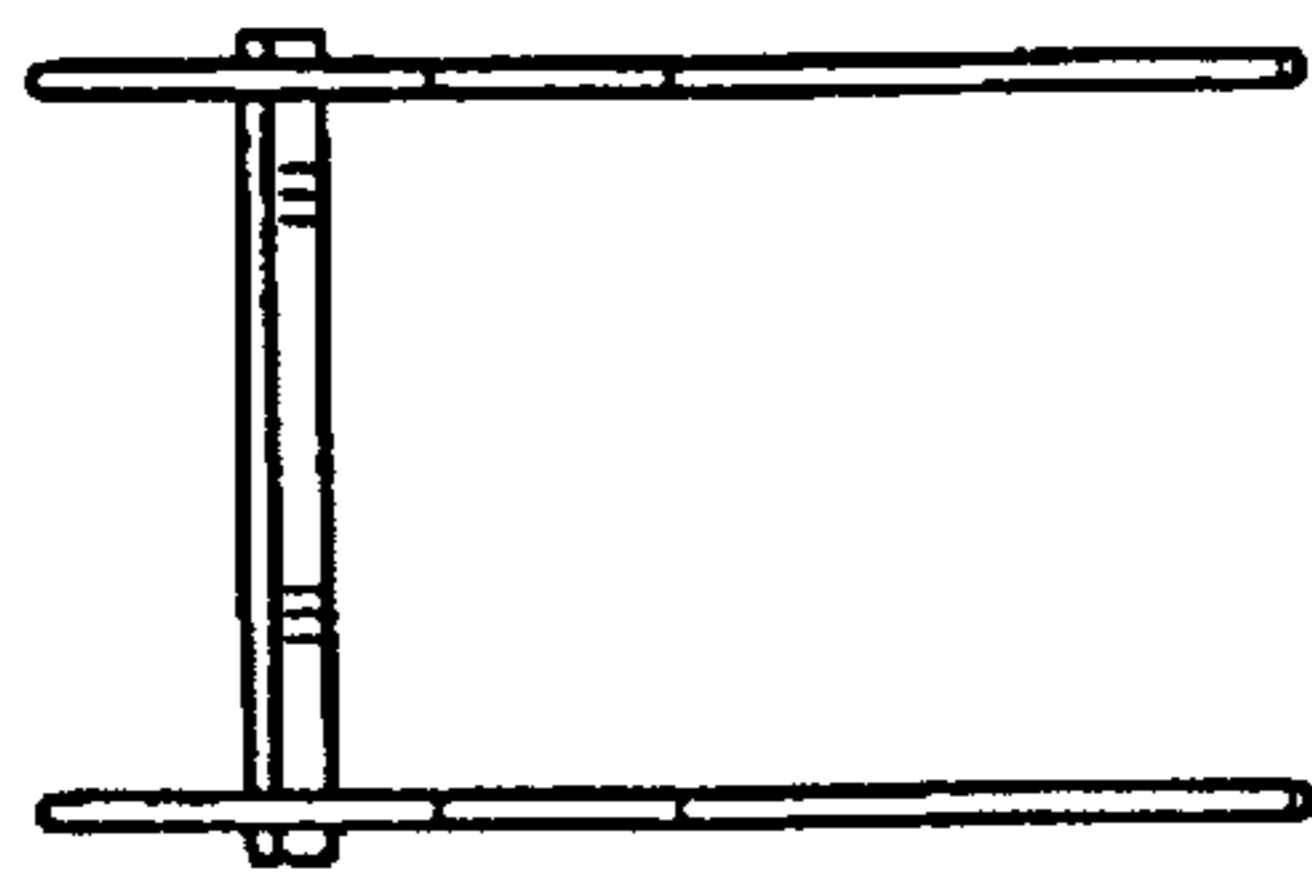
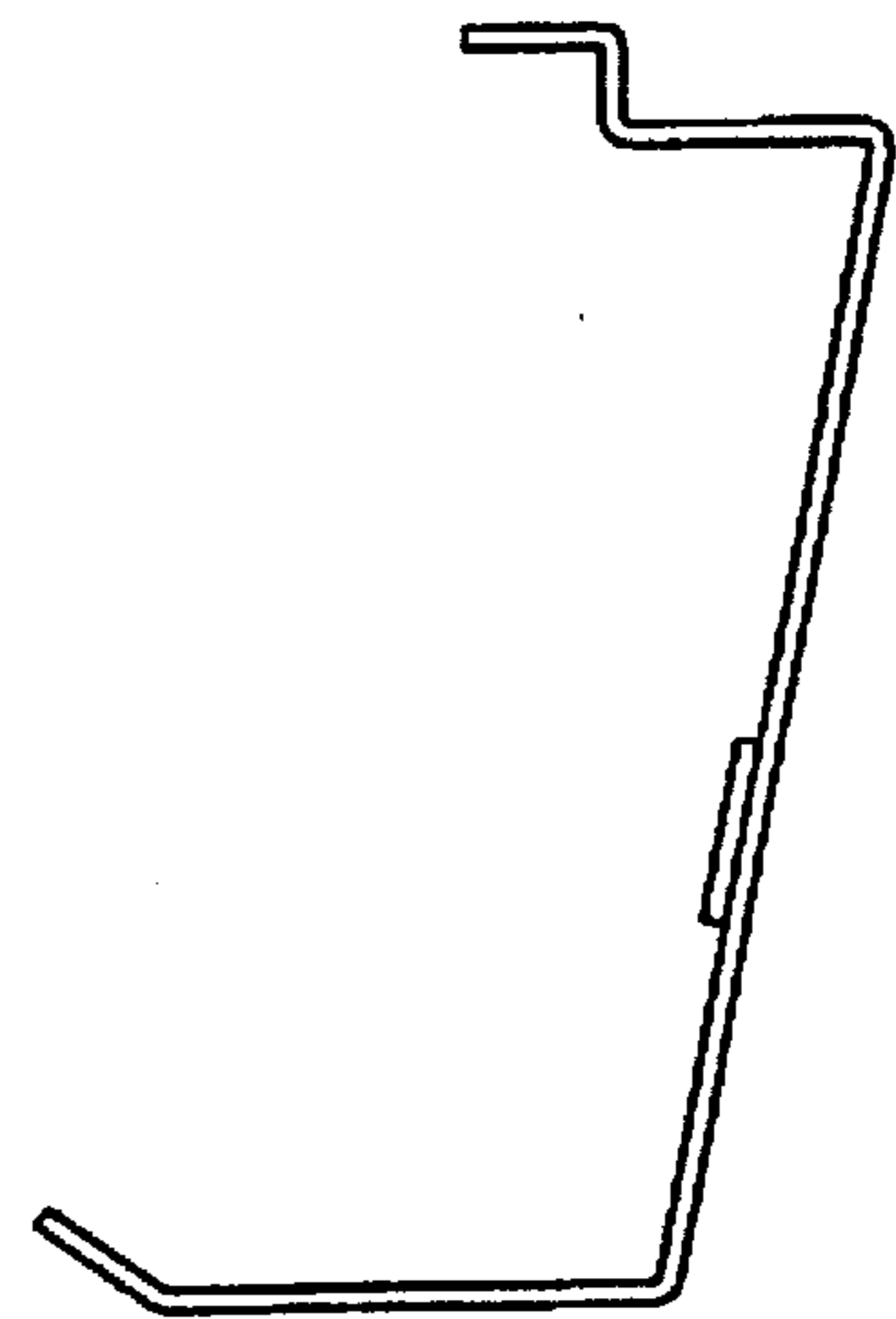
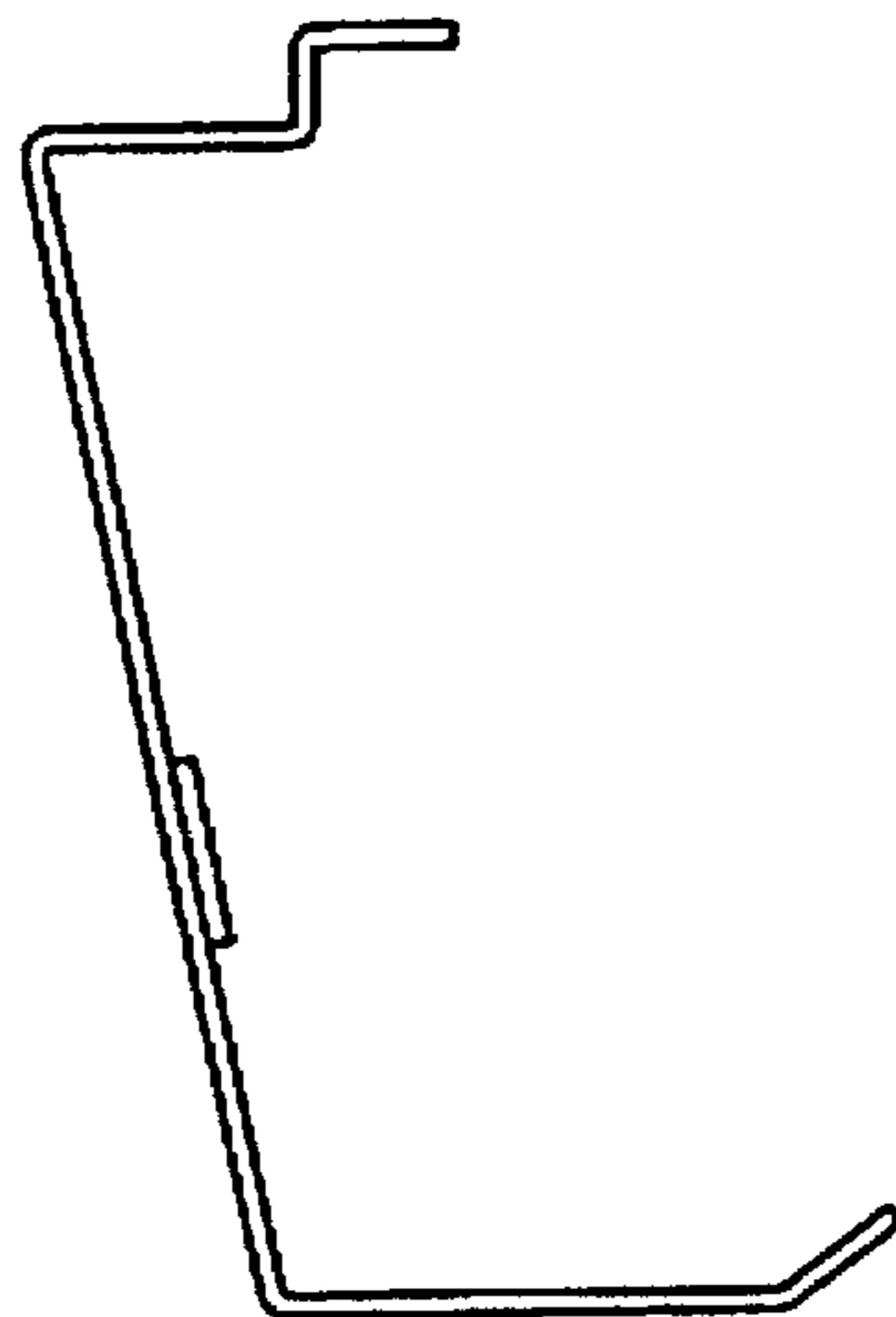
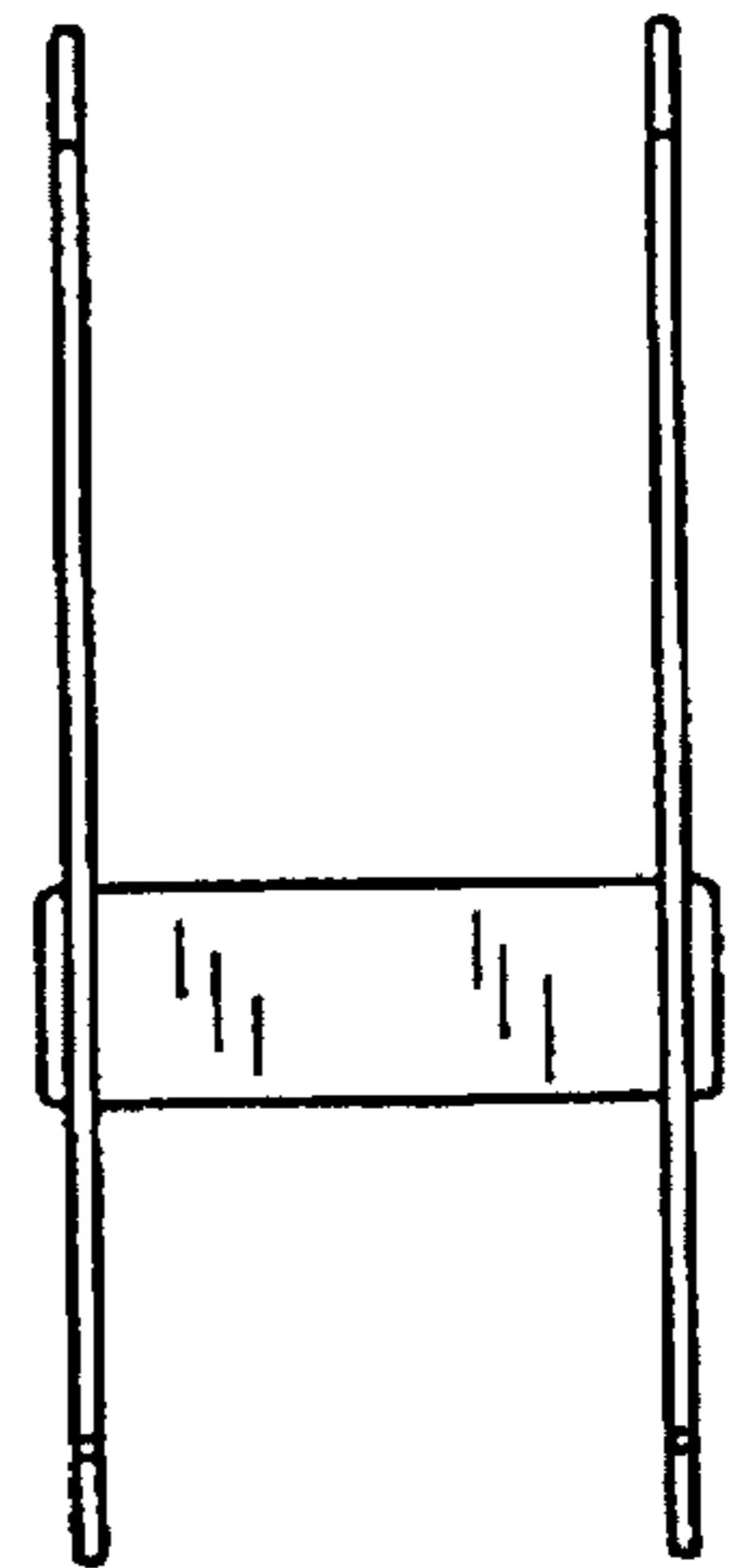
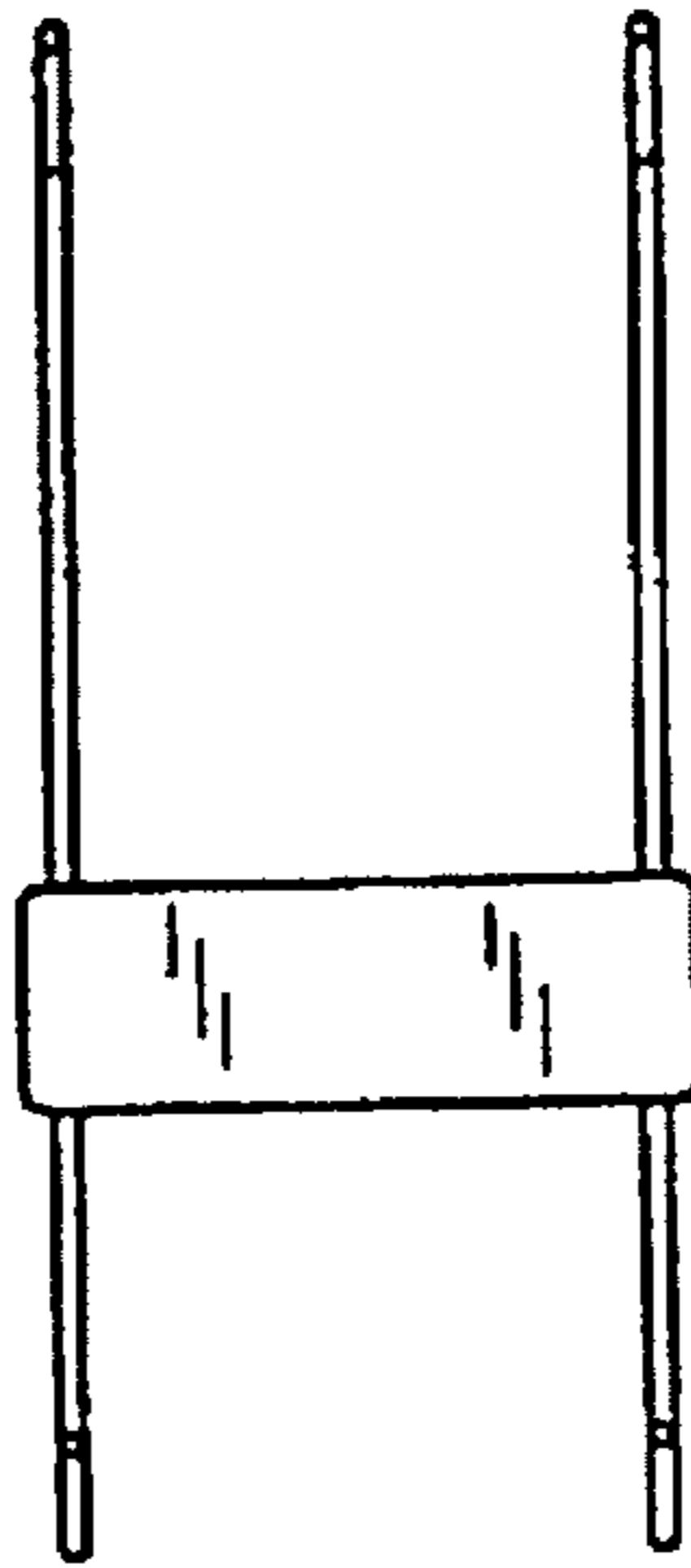
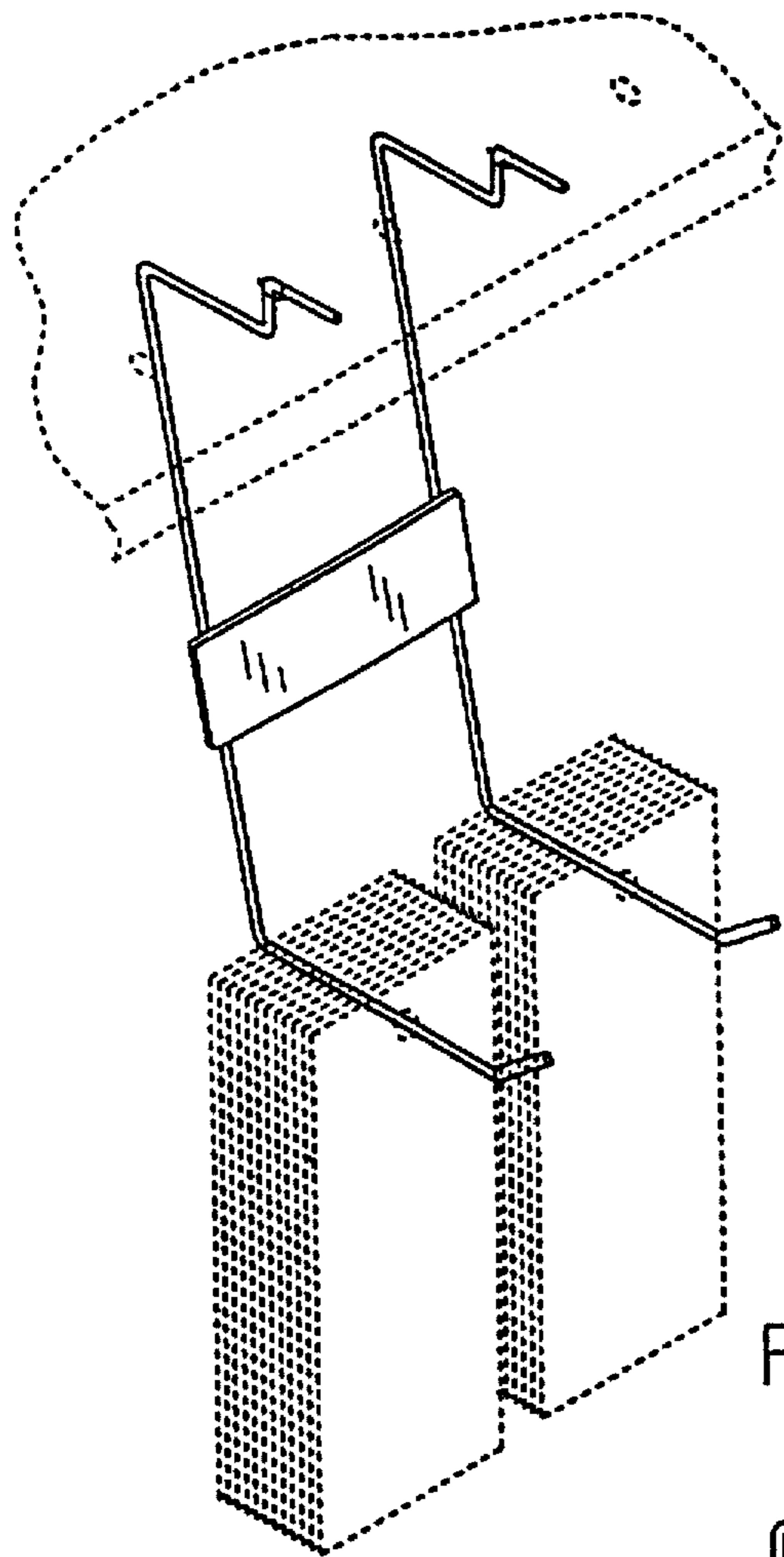


FIG. 6

FIG. 7