

US00D385736S

# United States Patent [19]

Bromley et al.

[11] Patent Number: **Des. 385,736**

[45] Date of Patent: **\*\*Nov. 4, 1997**

[54] **SOAP HOLDER**

[76] Inventors: **Donald Maxwell Bromley**, 90 Wentworth Avenue, Rowville; **Andrew Paisley Somerville**, 12 Zeehan Road, Boronia West, Victoria 3155; **Peter Nicaïs Rodis**, Roan 17 Sumner Rd., Baxter, all of Australia

[\*\*] Term: **14 Years**

[21] Appl. No.: **18,732**

[22] Filed: **Feb. 14, 1994**

[30] **Foreign Application Priority Data**

Aug. 11, 1993 [AU] Australia ..... 2480/93

[51] LOC (6) Cl. .... **06-02**

[52] U.S. Cl. .... **D6/540**

[58] Field of Search ..... D6/536-540; 206/77.1; 211/13, 60.1, 65, 75, 87-88; 248/309.1, 311.2, 312

[56] **References Cited**

**U.S. PATENT DOCUMENTS**

D. 259,374 6/1981 Crowe ..... D6/540

D. 291,638	9/1987	Chap	.....	D6/540
D. 329,560	9/1992	Levien	.....	D6/536 X
D. 347,957	6/1994	Kea	.....	D6/540
4,654,901	4/1987	Garcia	.....	206/77.1 X

*Primary Examiner*—Brian N. Vinson  
*Attorney, Agent, or Firm*—Richard M. Goldberg

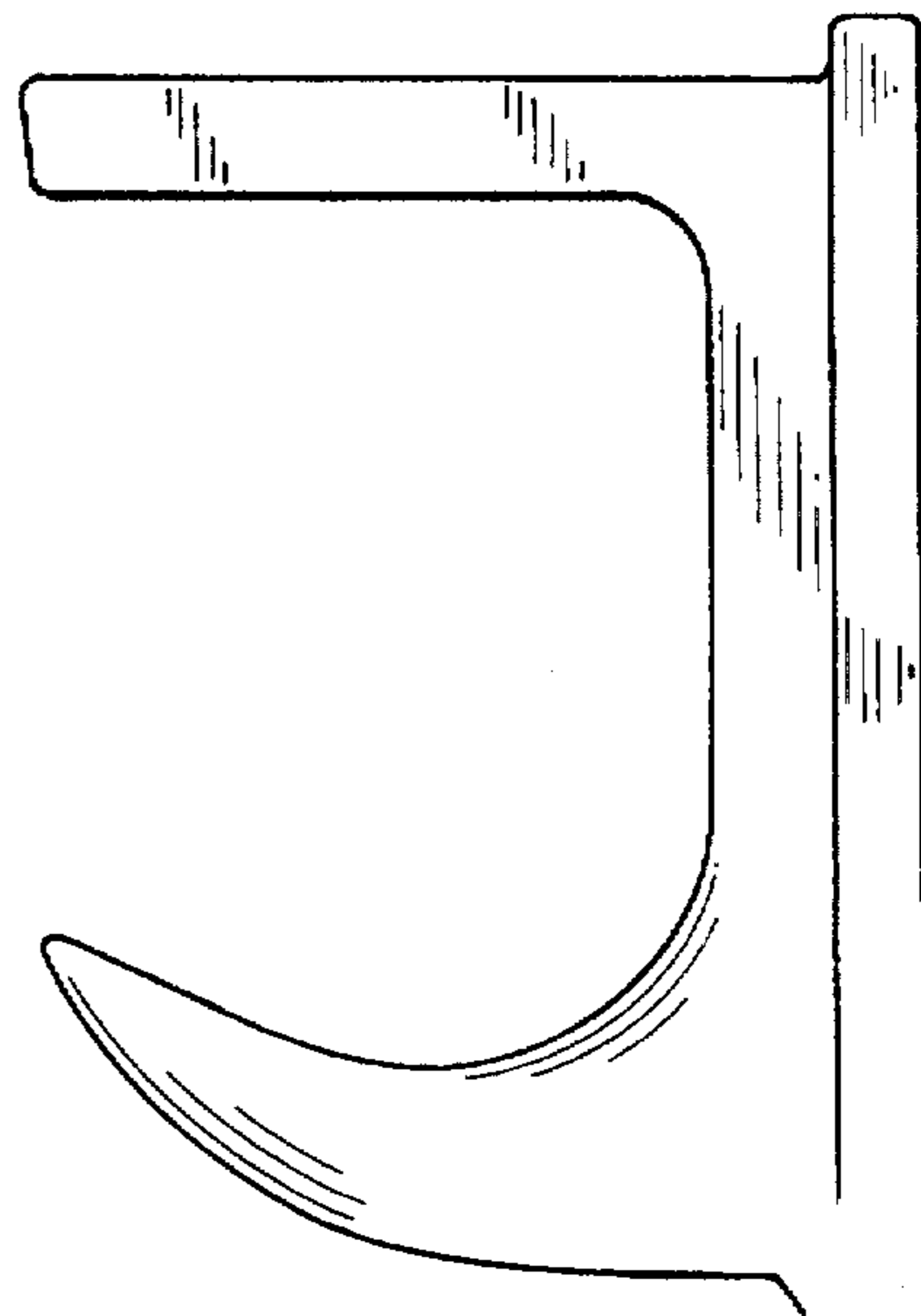
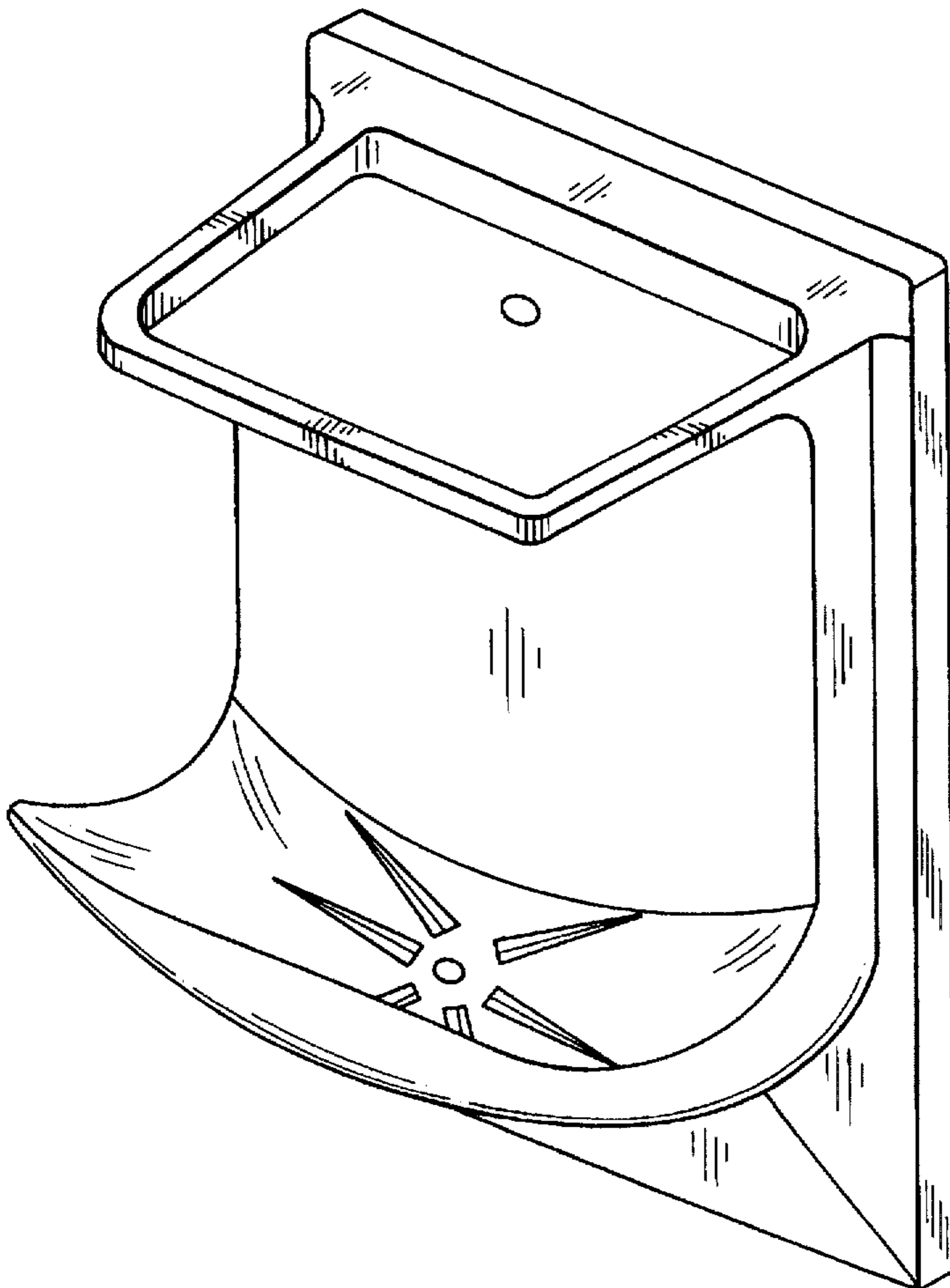
[57] **CLAIM**

The ornamental design for soap holder, as shown and described.

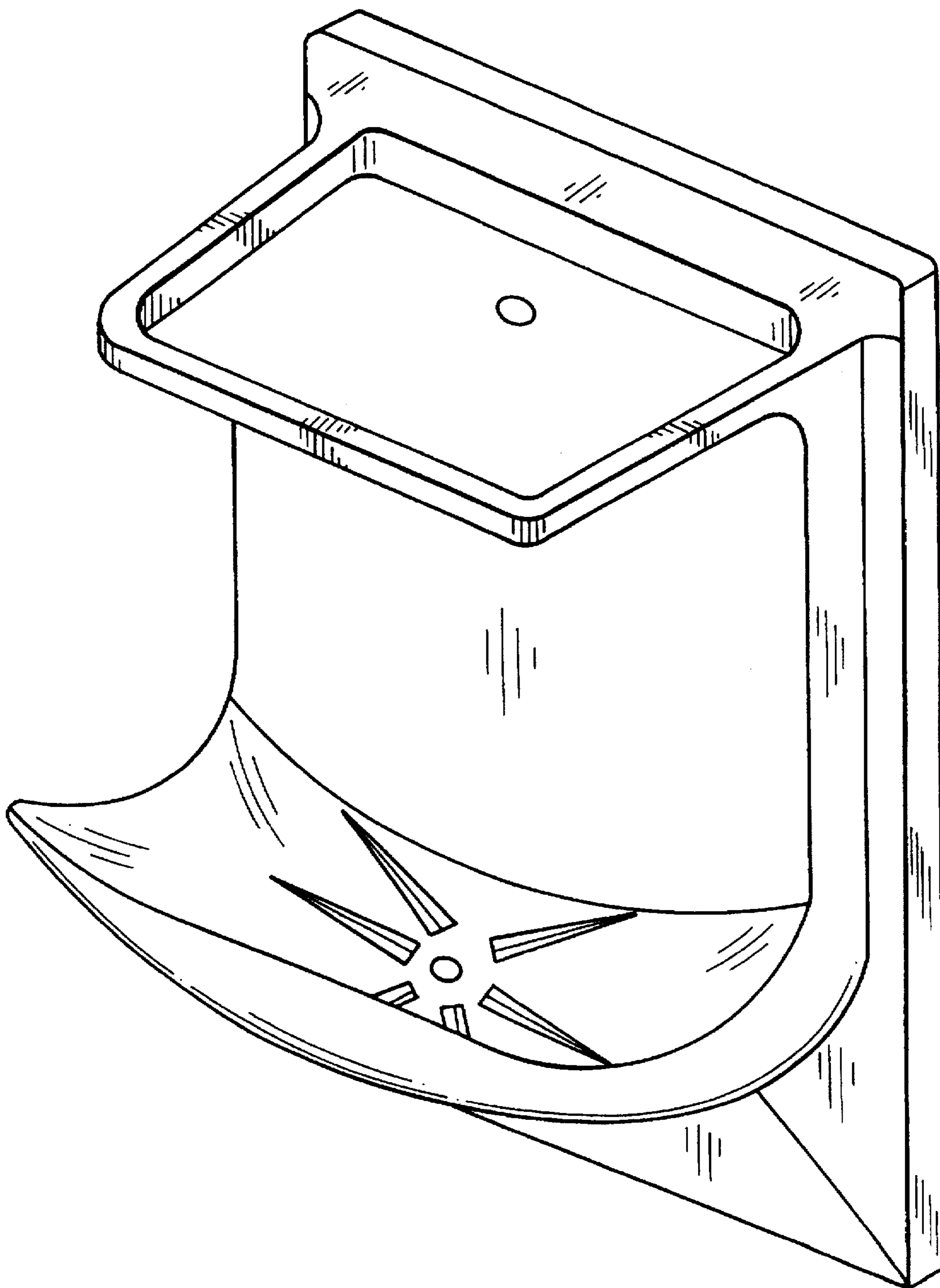
**DESCRIPTION**

FIG. 1 is a front perspective view of a soap holder embodying our new design;  
FIG. 2 is a top plan view thereof;  
FIG. 3 is a bottom plan view thereof;  
FIG. 4 is a front elevational view thereof;  
FIG. 5 is a right side elevational view thereof, the left side being a mirror image of FIG. 5; and,  
FIG. 6 is a rear elevational view thereof.

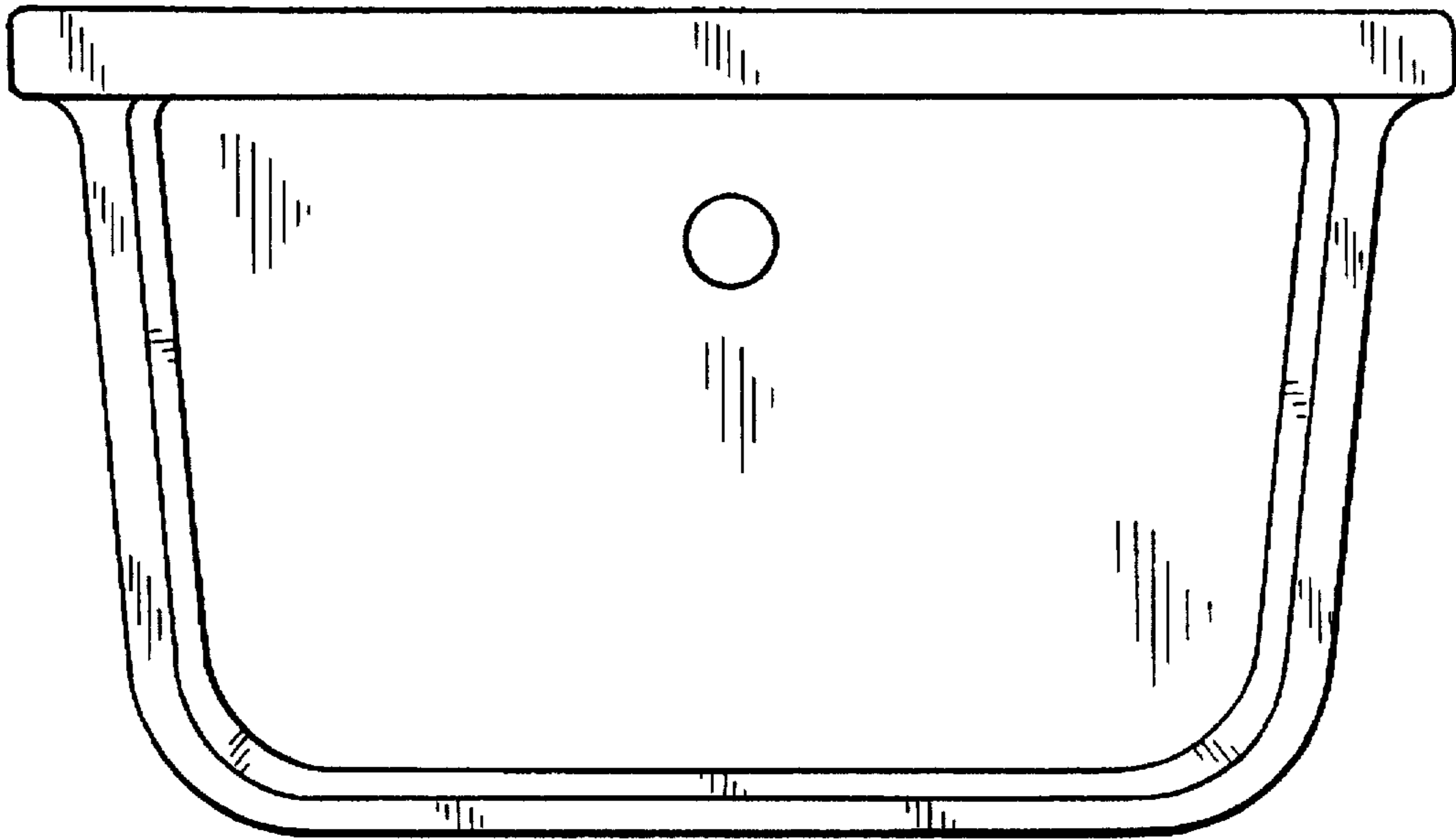
**1 Claim, 4 Drawing Sheets**



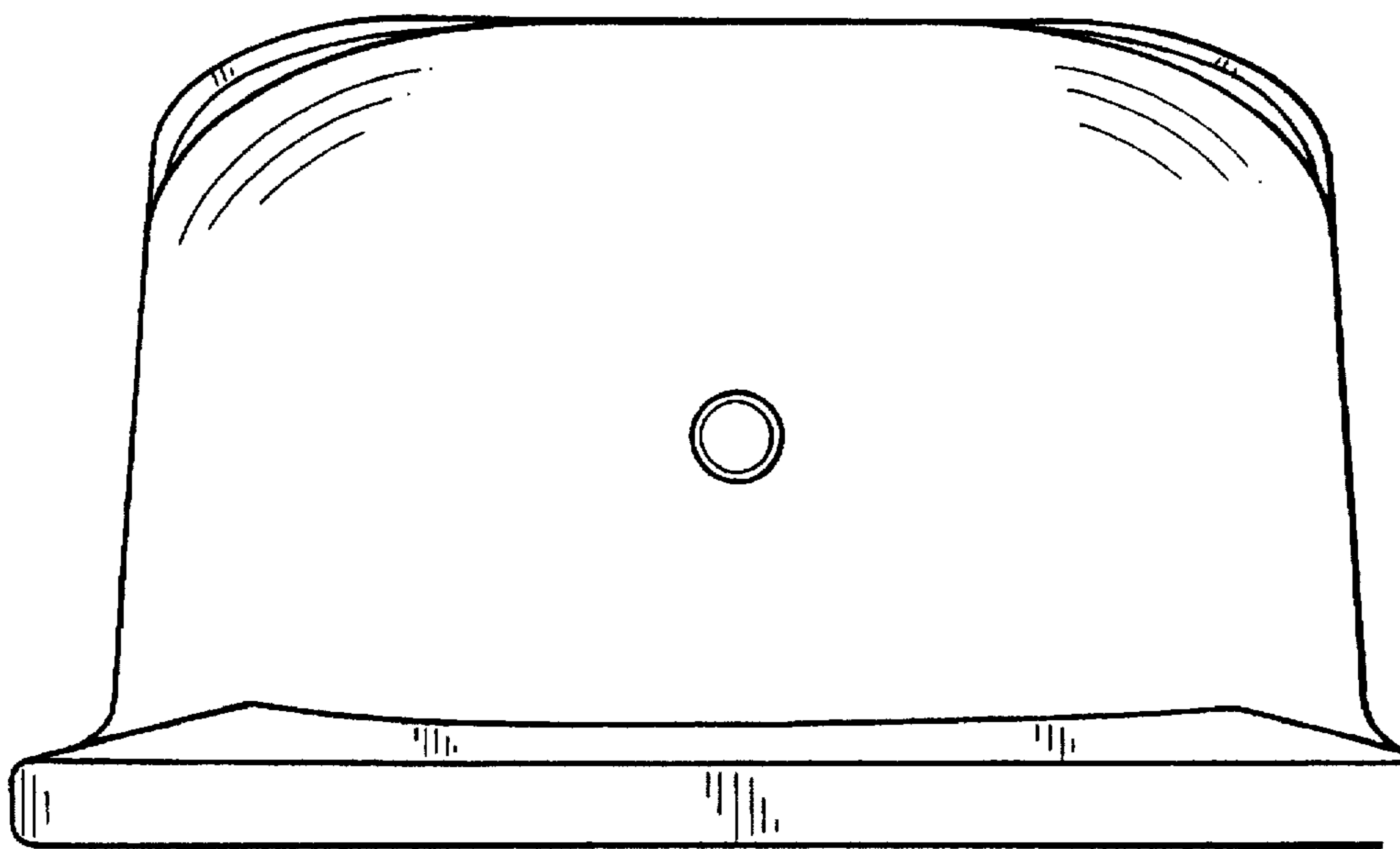
*FIG. 1*



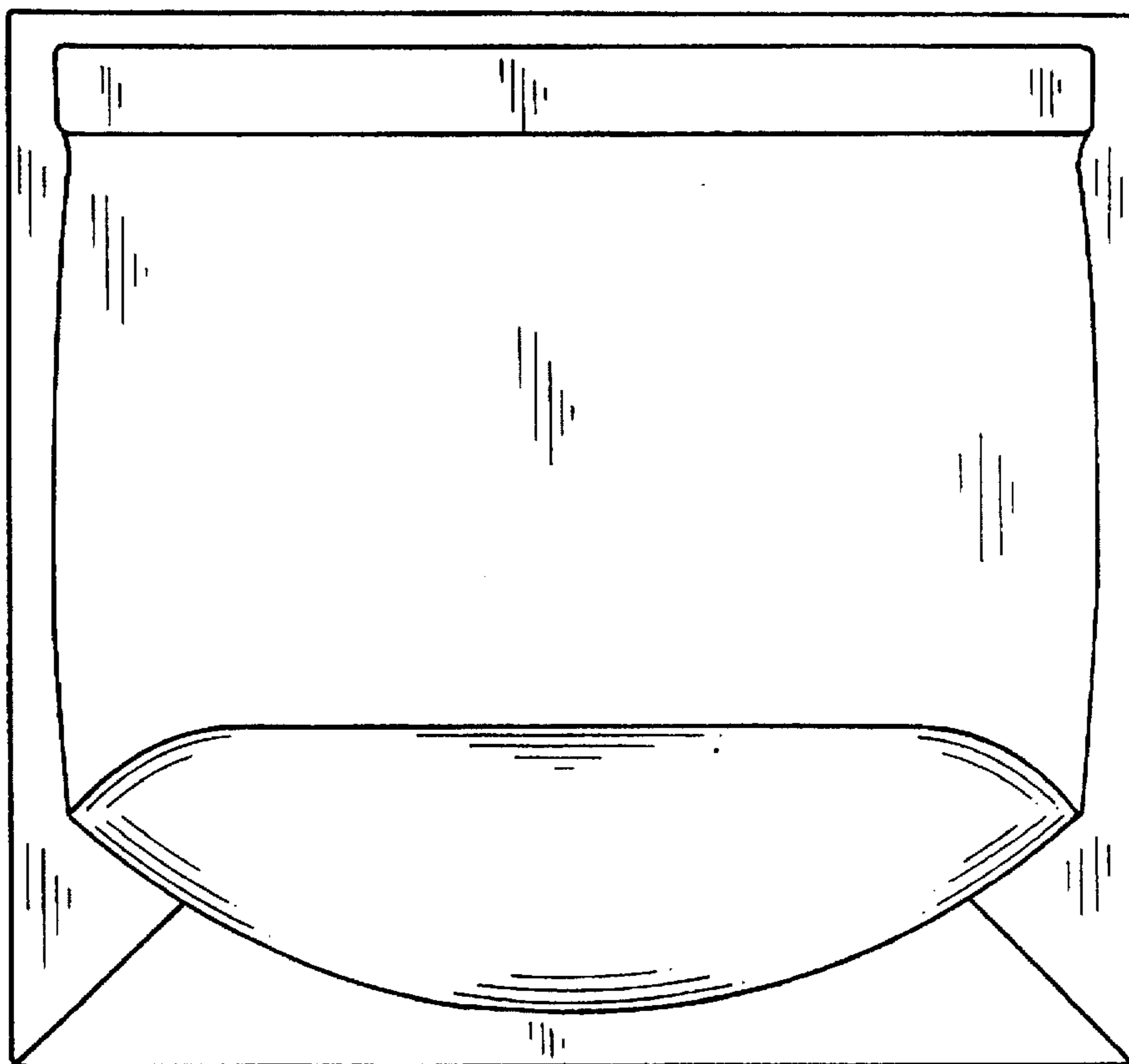
*FIG. 2*



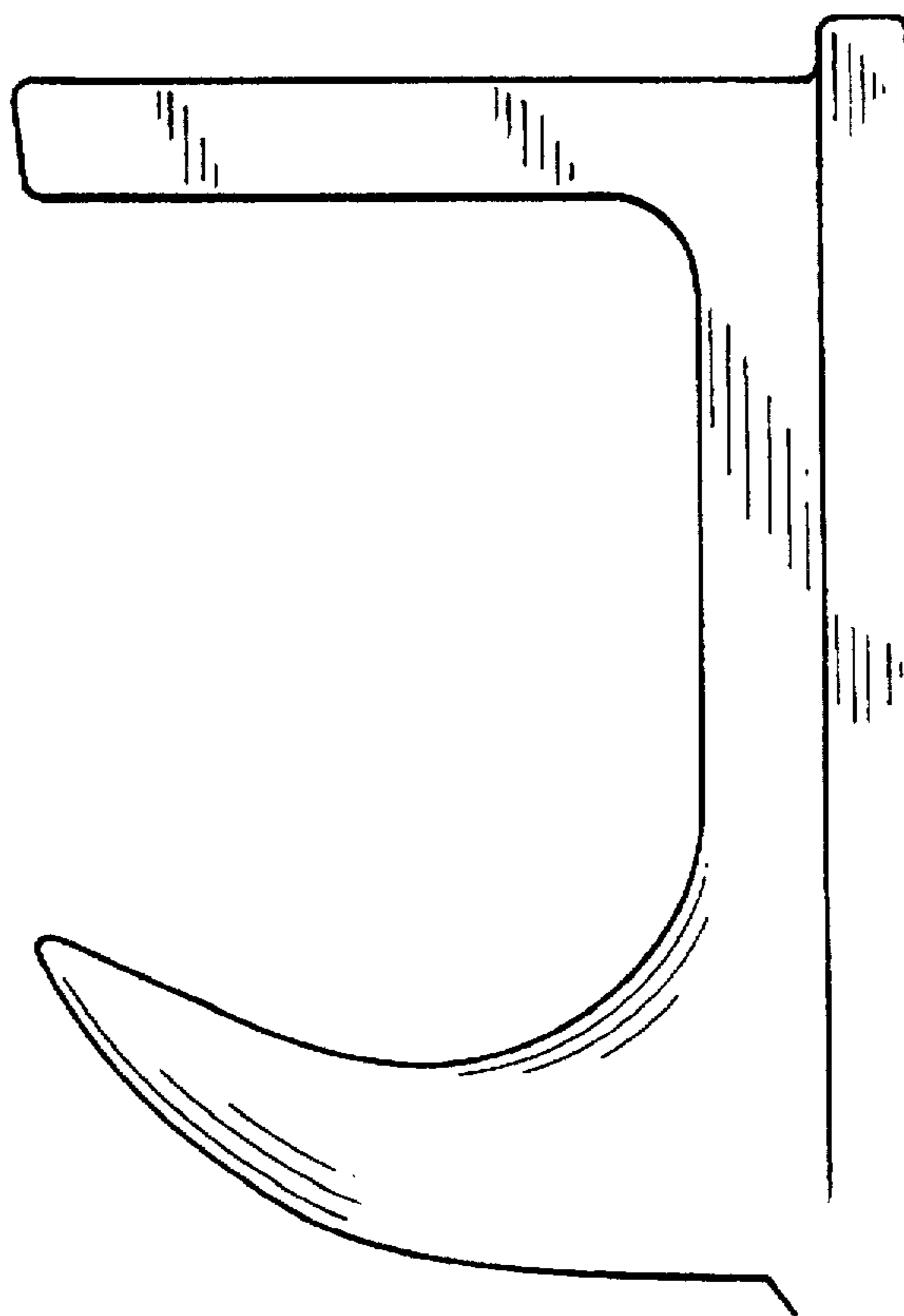
*FIG. 3*



*FIG. 4*



*FIG. 5*



*FIG. 6*

