

US00D385731S

United States Patent [19]
Yurk

[11] **Patent Number:** **Des. 385,731**
[45] **Date of Patent:** ****Nov. 4, 1997**

[54] **TABLE BASE**

[75] **Inventor:** **Arno Roland Yurk, Kalamazoo, Mich.**

[73] **Assignee:** **Landscape Forms, Inc., Kalamazoo, Mich.**

[**] **Term:** **14 Years**

[21] **Appl. No.:** **61,348**

[22] **Filed:** **Oct. 22, 1996**

[51] **LOC (6) Cl.** **06-03**

[52] **U.S. Cl.** **D6/487; D6/484**

[58] **Field of Search** **D6/480-489, 495-499; 108/155-157, 161; 248/188.1, 188.8**

[56] **References Cited**

U.S. PATENT DOCUMENTS

D. 291,514 8/1987 Strousse et al. D6/487

D. 293,054 12/1987 Strousse et al. D6/499

OTHER PUBLICATIONS

Ikea, c1990, p. 82, #14 table at center.

Winston Furniture, 1990-1991, p. 13, 2106G table at right.

Primary Examiner—Janice E. Seeger

Attorney, Agent, or Firm—Heslin & Rothenberg, P.C.

[57] **CLAIM**

The ornamental design for a table base, as shown and described.

DESCRIPTION

FIG. 1 is a front isometric view of a table base showing my new design;

FIG. 2 is a side elevational view thereof, the opposite side being identical thereto;

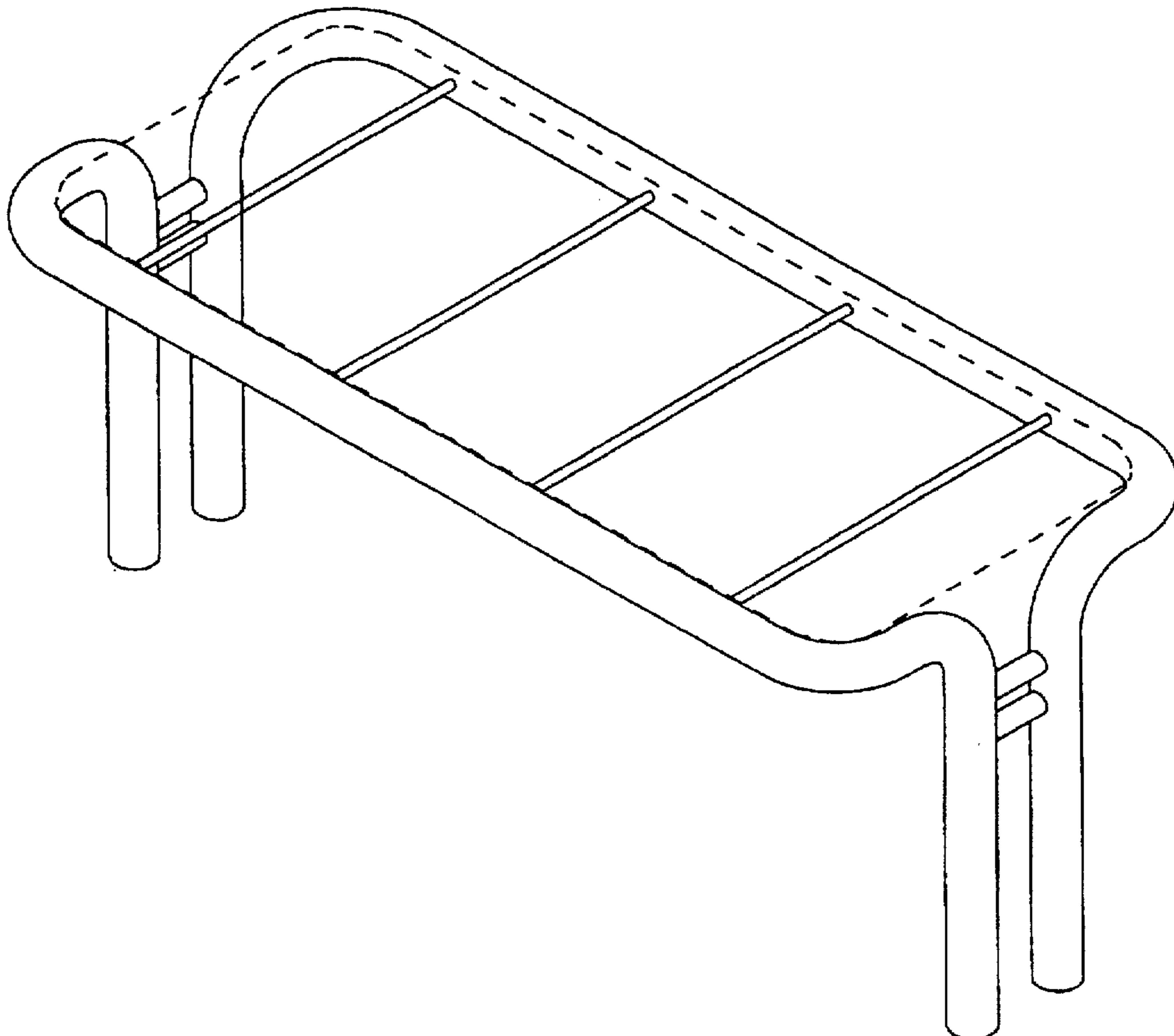
FIG. 3 is a front elevational view thereof, the back elevational view being identical thereto;

FIG. 4 is a top plan view thereof; and,

FIG. 5 is a bottom plan view thereof.

The broken lines are for environmental purposes only and forms no part of the claimed design.

1 Claim, 5 Drawing Sheets



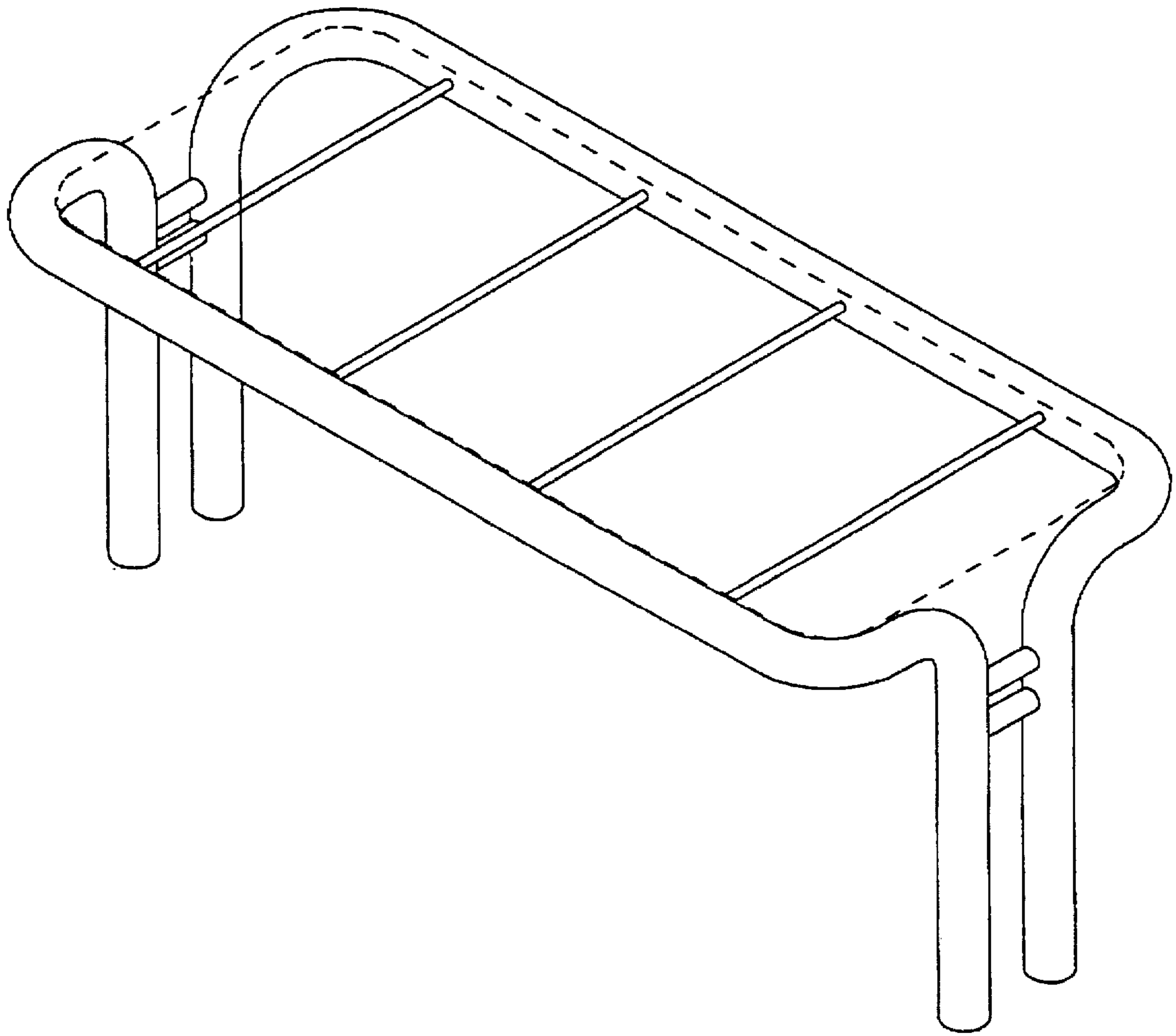


FIG 1

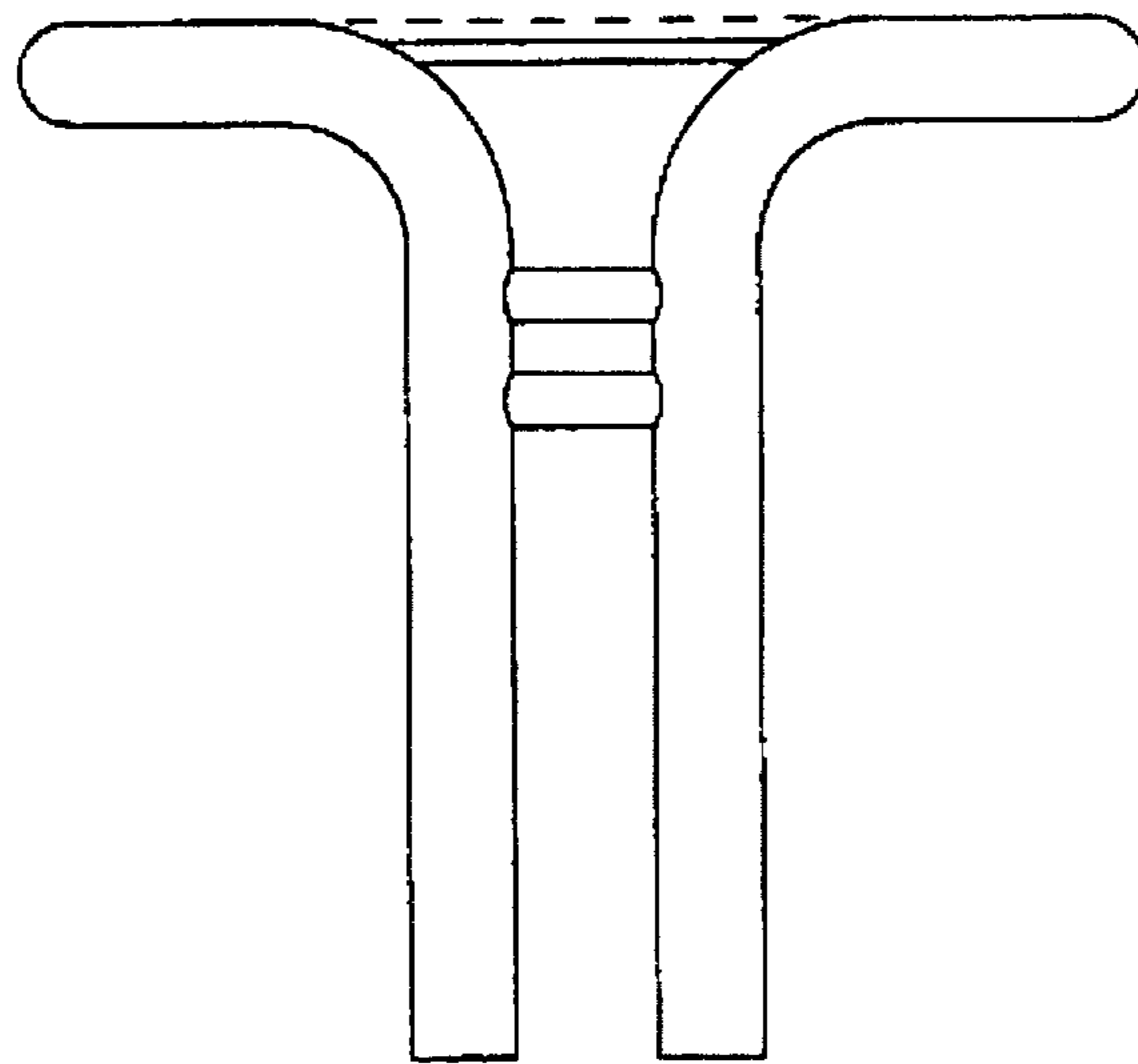


FIG 2

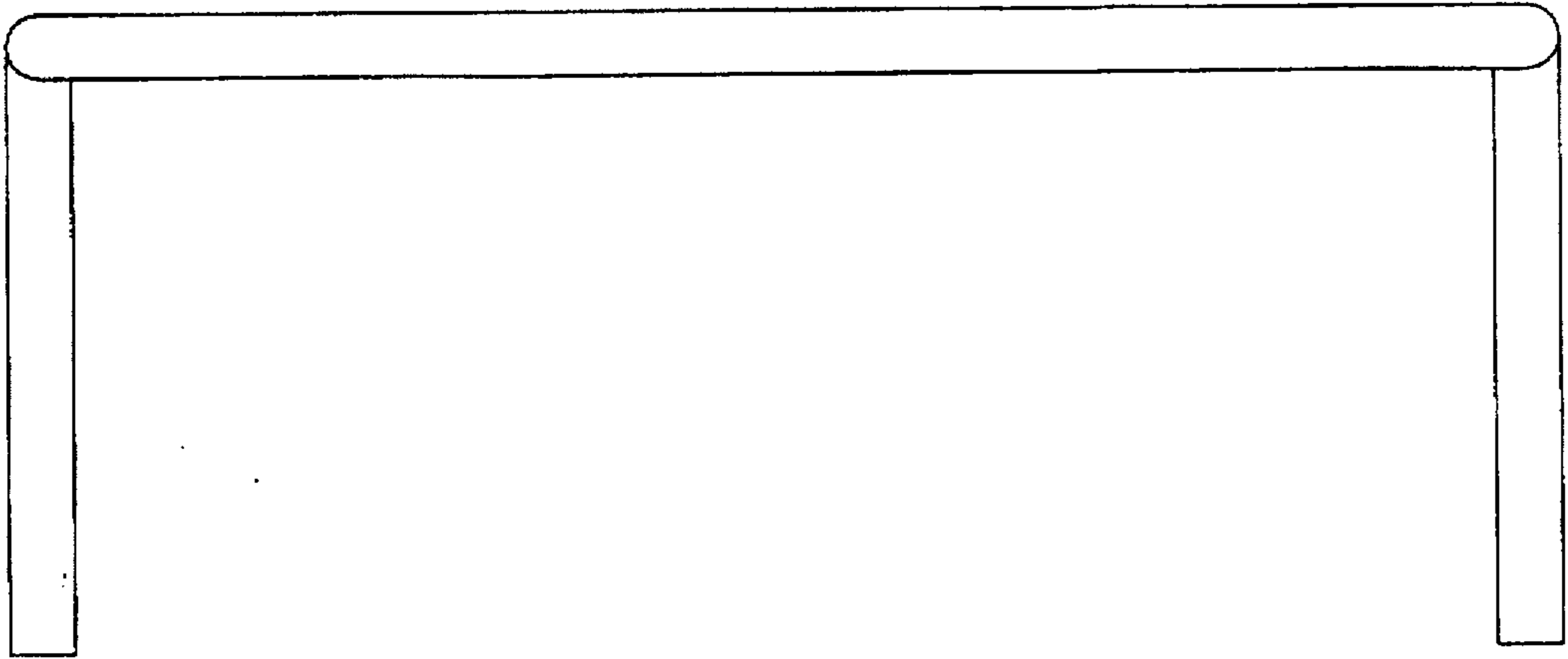


FIG 3

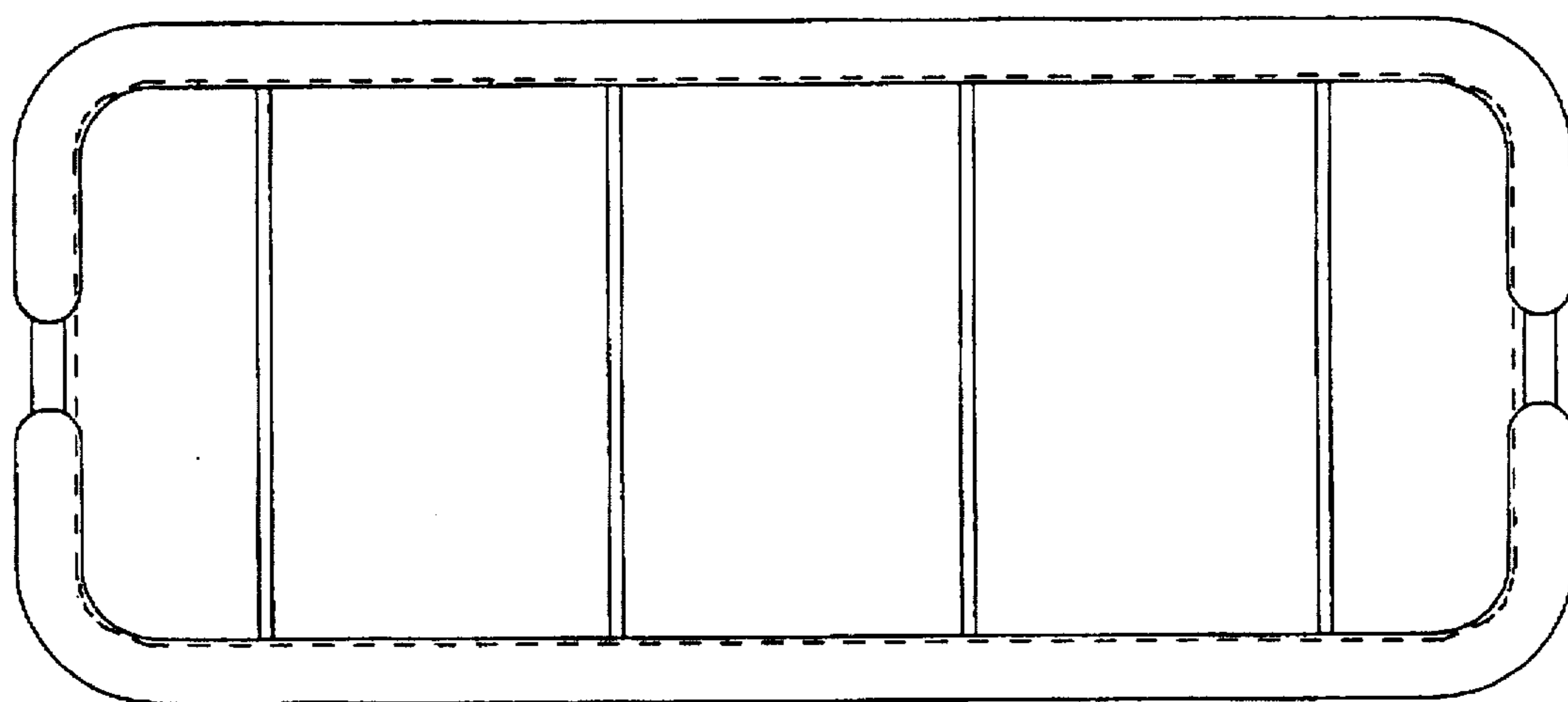


FIG 4

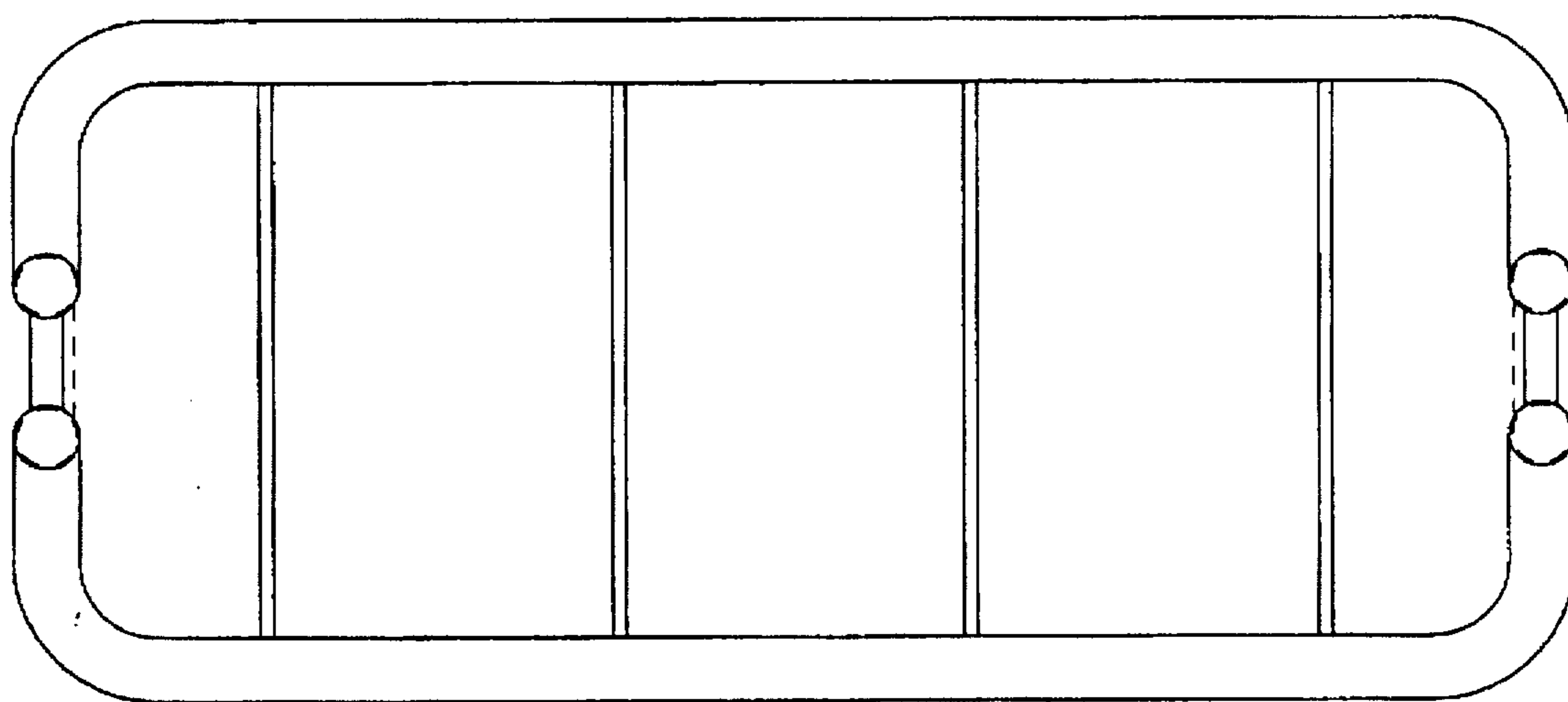


FIG 5