

US00D385728S

# United States Patent [19]

[11] Patent Number: **Des. 385,728**

Mulligan et al.

[45] Date of Patent: **\*\*Nov. 4, 1997**

[54] **TABLE**

[76] Inventors: **Richard Mulligan; Mollie Mulligan**,  
both of 2020 Coldwater Canyon Dr.,  
Los Angeles, Calif. 90046

[\*\*] Term: **14 Years**

[21] Appl. No.: **60,020**

[22] Filed: **Sep. 19, 1996**

[51] LOC (6) Cl. .... **06-03**

[52] U.S. Cl. .... **D6/430; D6/430**

[58] Field of Search ..... **D6/480-489, 495-499,**  
**D6/429-431; 108/65, 67, 69, 71, 77, 155-157,**  
**161**

[56] **References Cited**

**U.S. PATENT DOCUMENTS**

D. 208,785	10/1967	Jakobsen	.....	D6/430
D. 346,714	5/1994	Ferguson	.....	D6/480
1,473,323	11/1923	Schimmel	.....	108/69
2,955,888	10/1960	Graves	.....	108/69

**FOREIGN PATENT DOCUMENTS**

278866 9/1926 United Kingdom ..... 108/69

*Primary Examiner*—Janice E. Seeger  
*Attorney, Agent, or Firm*—Heslin & Rothenberg, P.C.

[57] **CLAIM**

The ornamental design for a table, as shown and described.

**DESCRIPTION**

FIG. 1 is an isometric view of a table showing our new design;

FIG. 2 is a top plan view thereof;

FIG. 3 is a side elevational view thereof, the opposite side being identical thereto;

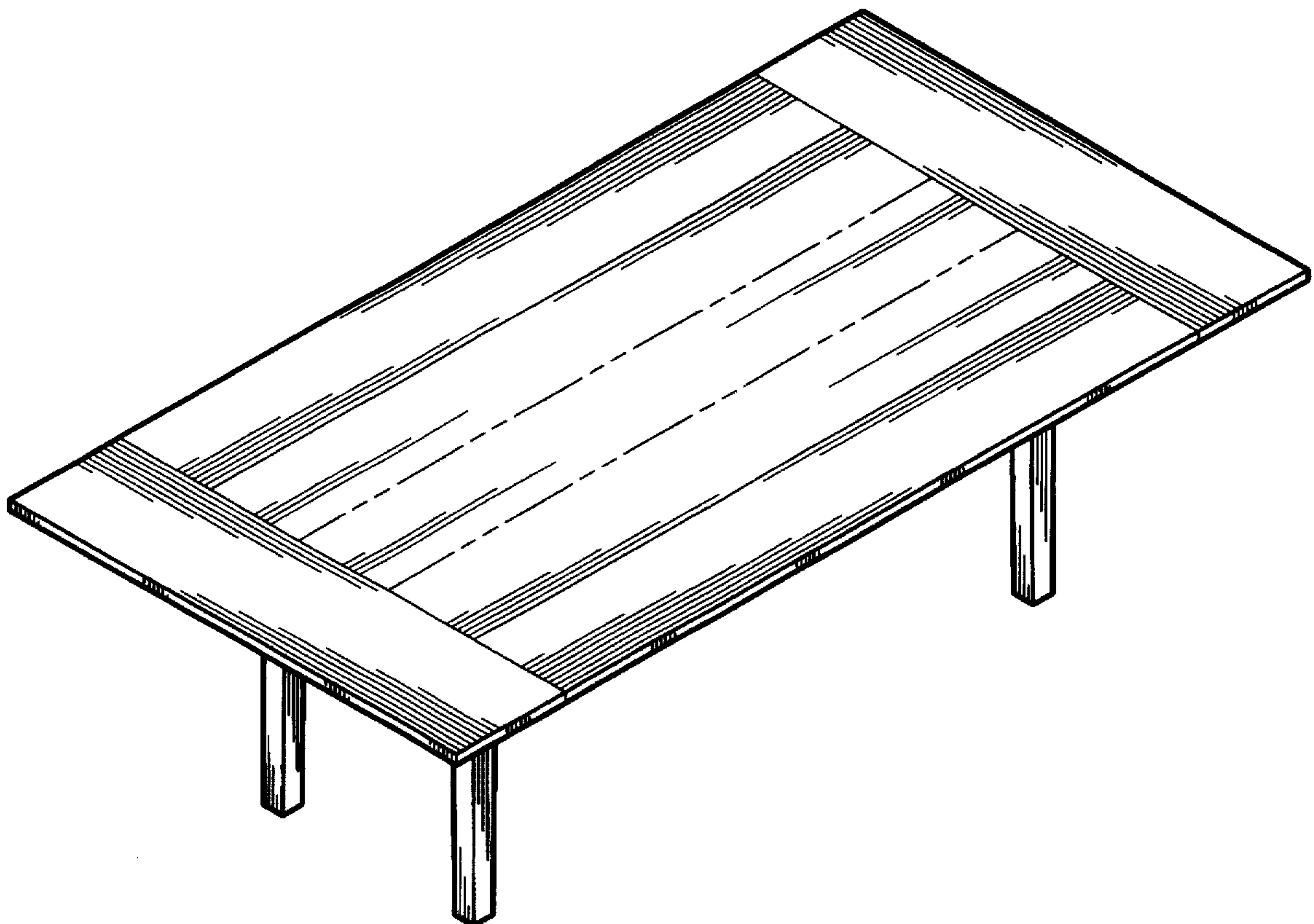
FIG. 4 is an end elevational view thereof, the opposite end being identical thereto;

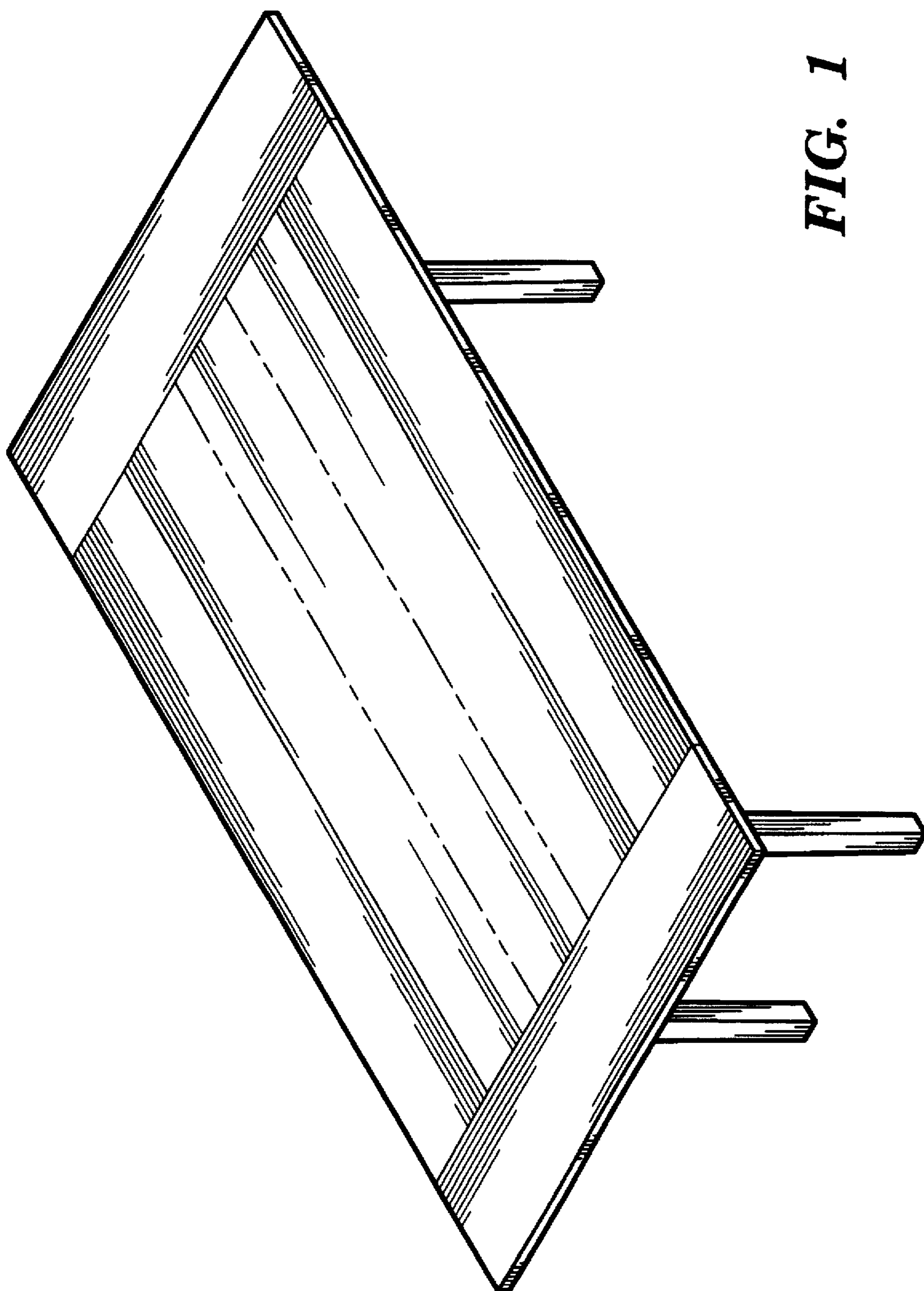
FIG. 5 is a bottom plan view thereof; and,

FIG. 6 is a perspective view, showing the table with the leaves removed for convenience of illustration.

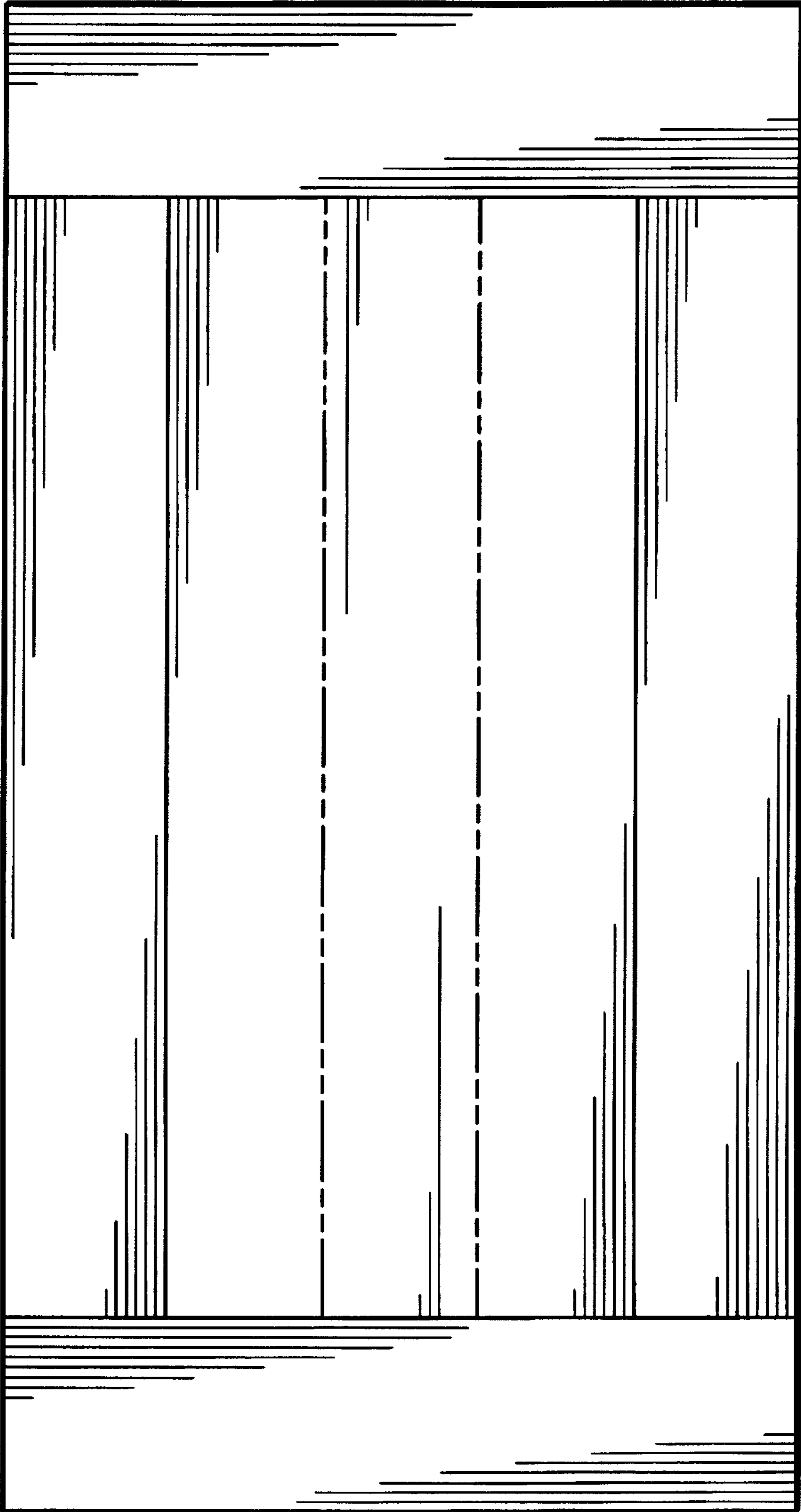
“The broken lines are for environmental purposes only and form no part of the claimed design.”

**1 Claim, 6 Drawing Sheets**

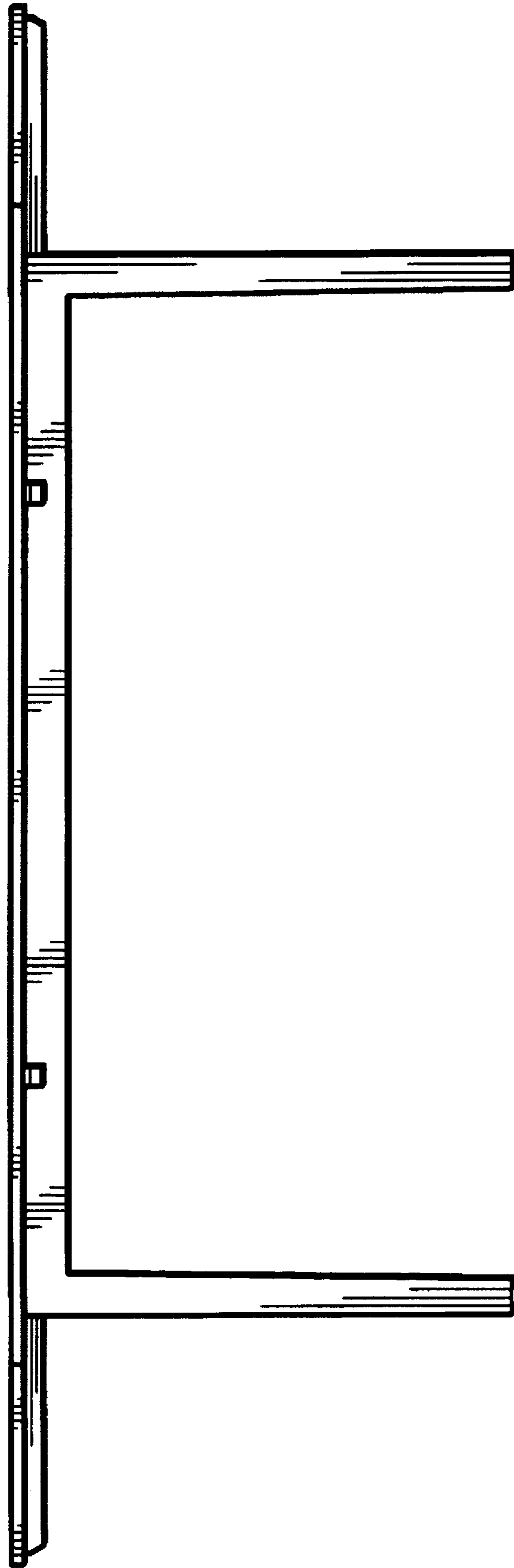




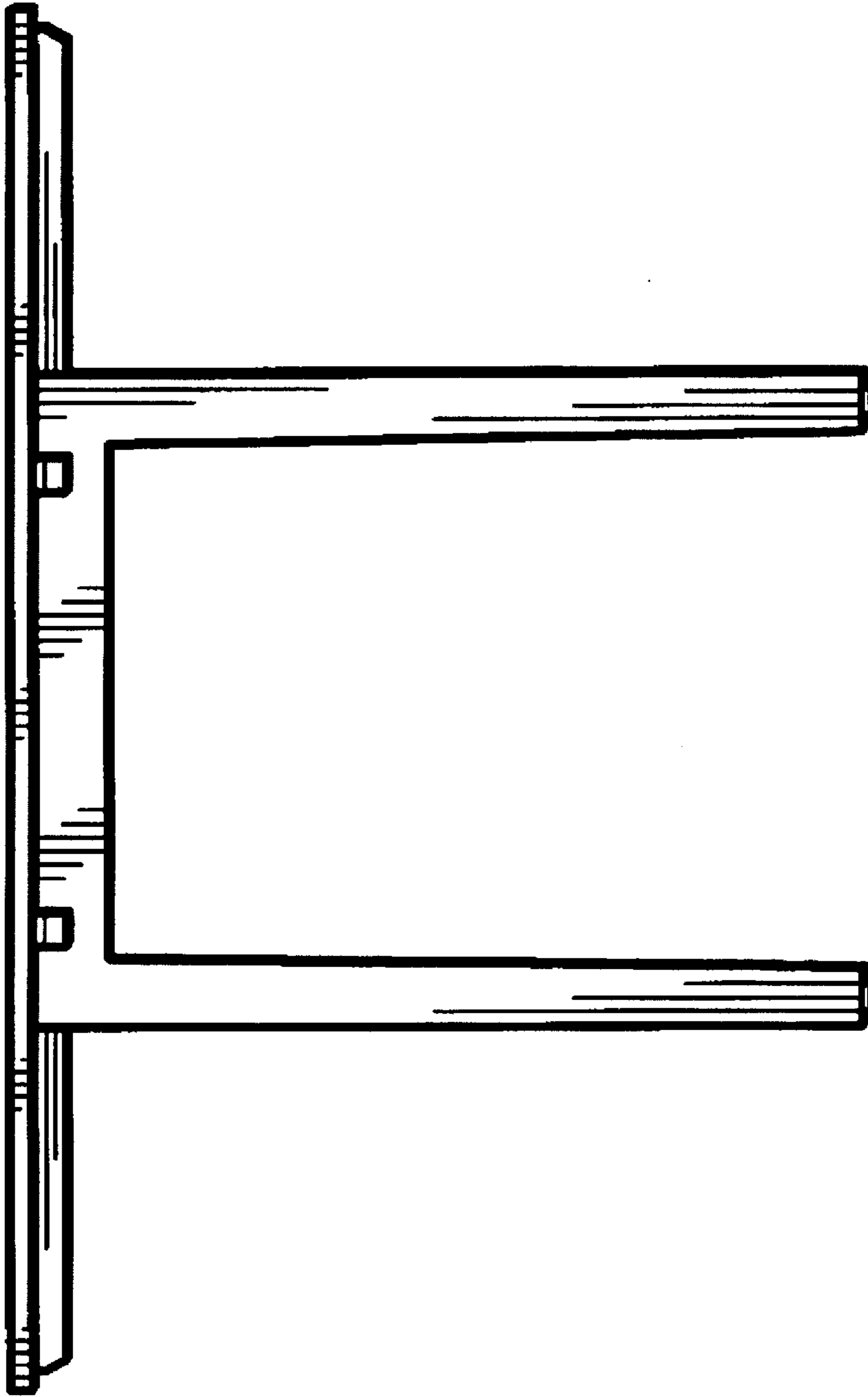
**FIG. 1**



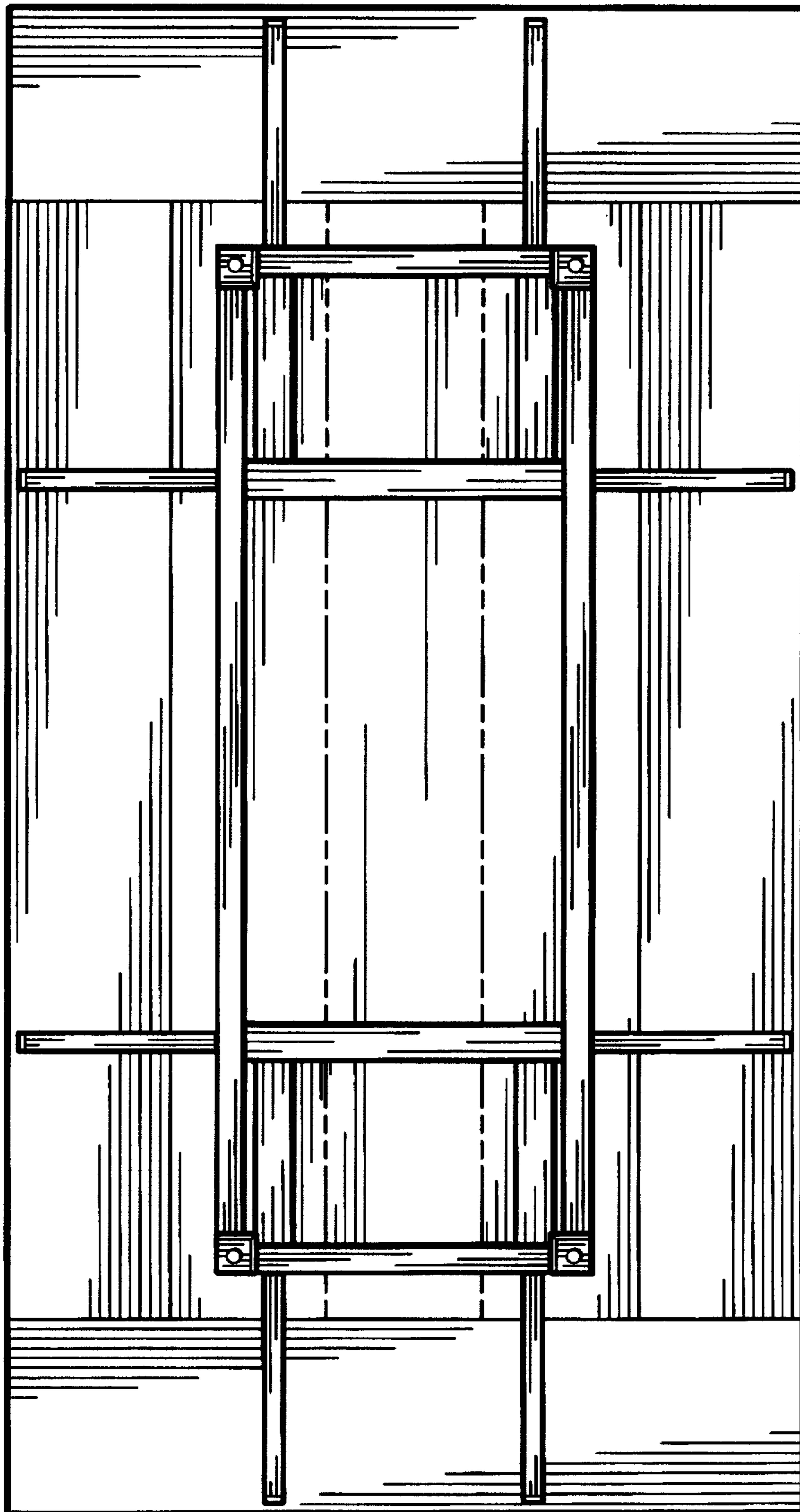
**FIG. 2**



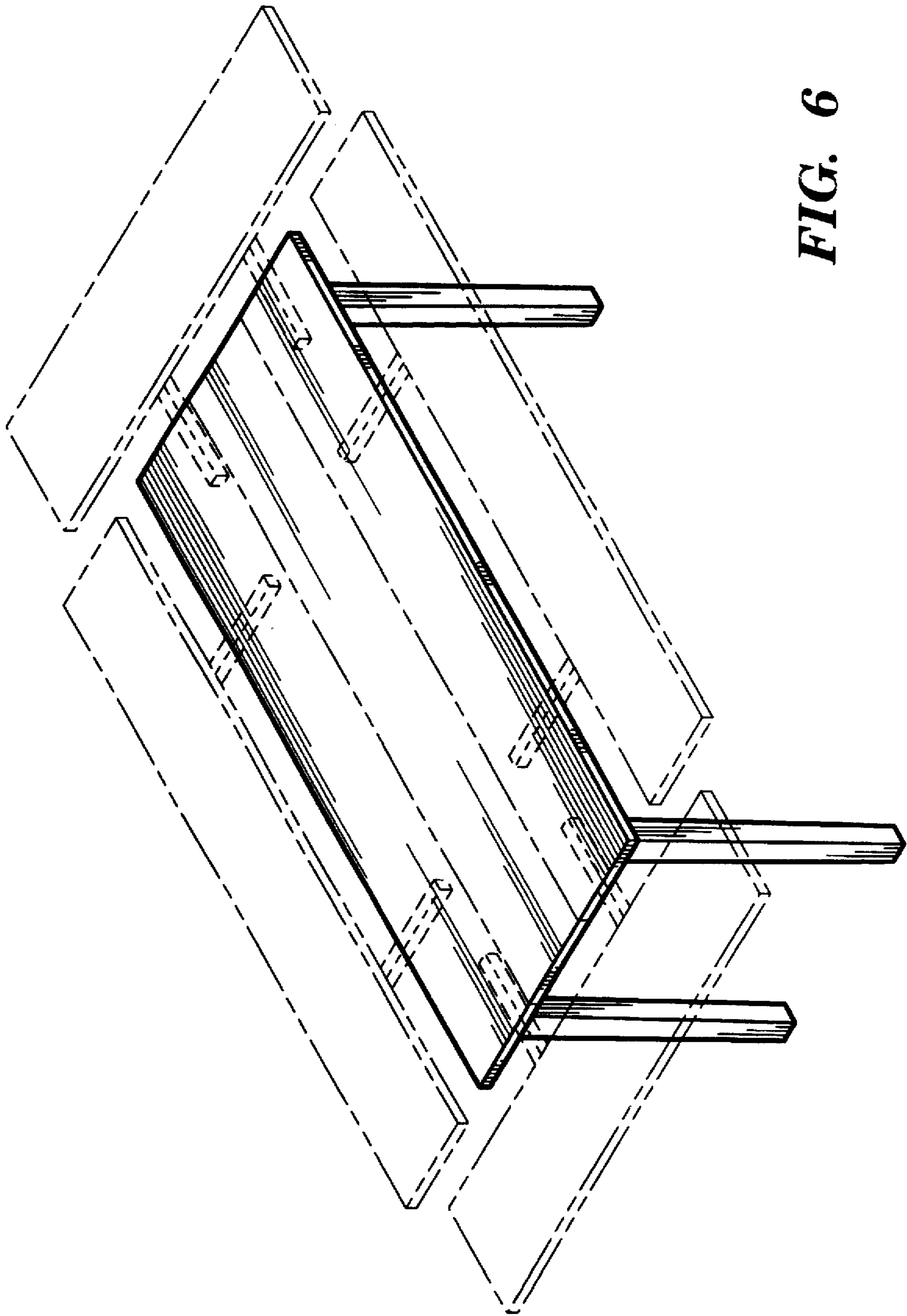
**FIG. 3**



**FIG. 4**



*FIG. 5*



**FIG. 6**