



US00D385726S

United States Patent [19]

[11] Patent Number: **Des. 385,726**

Dardashti

[45] Date of Patent: ****Nov. 4, 1997**

[54] STORAGE AND DISPLAY STAND

[76] Inventor: **Shahriar Dardashti**, c/o Atlantic Representations Inc., Post Office Box 2399, Santa Fe Springs, Calif. 90670

[**] Term: **14 Years**

[21] Appl. No.: **60,137**

[22] Filed: **Sep. 23, 1996**

[51] LOC (6) Cl. **06-04**

[52] U.S. Cl. **D6/474**

[58] Field of Search D6/629, 630, 474, D6/477-479, 407, 405; 211/40-42, 133, 128, 188, 194, 134, 135; 108/91-93, 149, 60; D34/21

[56] References Cited

U.S. PATENT DOCUMENTS

- D. 233,294 10/1974 Goulder D6/474
- D. 359,648 6/1995 Hwang D6/407 X

- D. 370,330 5/1996 Carpenter et al. D34/21
- 3,730,601 5/1973 Misenheimer, III 108/60 X
- 4,136,623 1/1979 Dickson 108/92 X
- 5,358,124 10/1994 Mueller 211/41

Primary Examiner—James Gandy
Assistant Examiner—Linda Brooks
Attorney, Agent, or Firm—Oppenheimer Poms Smith

[57] CLAIM

The ornamental design for a storage and display stand, as shown and described.

DESCRIPTION

FIG. 1 is a top rear perspective view of a storage and display stand showing my new design;
FIG. 2 is a left side elevational view thereof;
FIG. 3 is a top plan view thereof;
FIG. 4 is a bottom plan view thereof;
FIG. 5 is a right side elevational view thereof;
FIG. 6 is a rear elevational view thereof; and,
FIG. 7 is a front elevational view thereof.

1 Claim, 5 Drawing Sheets

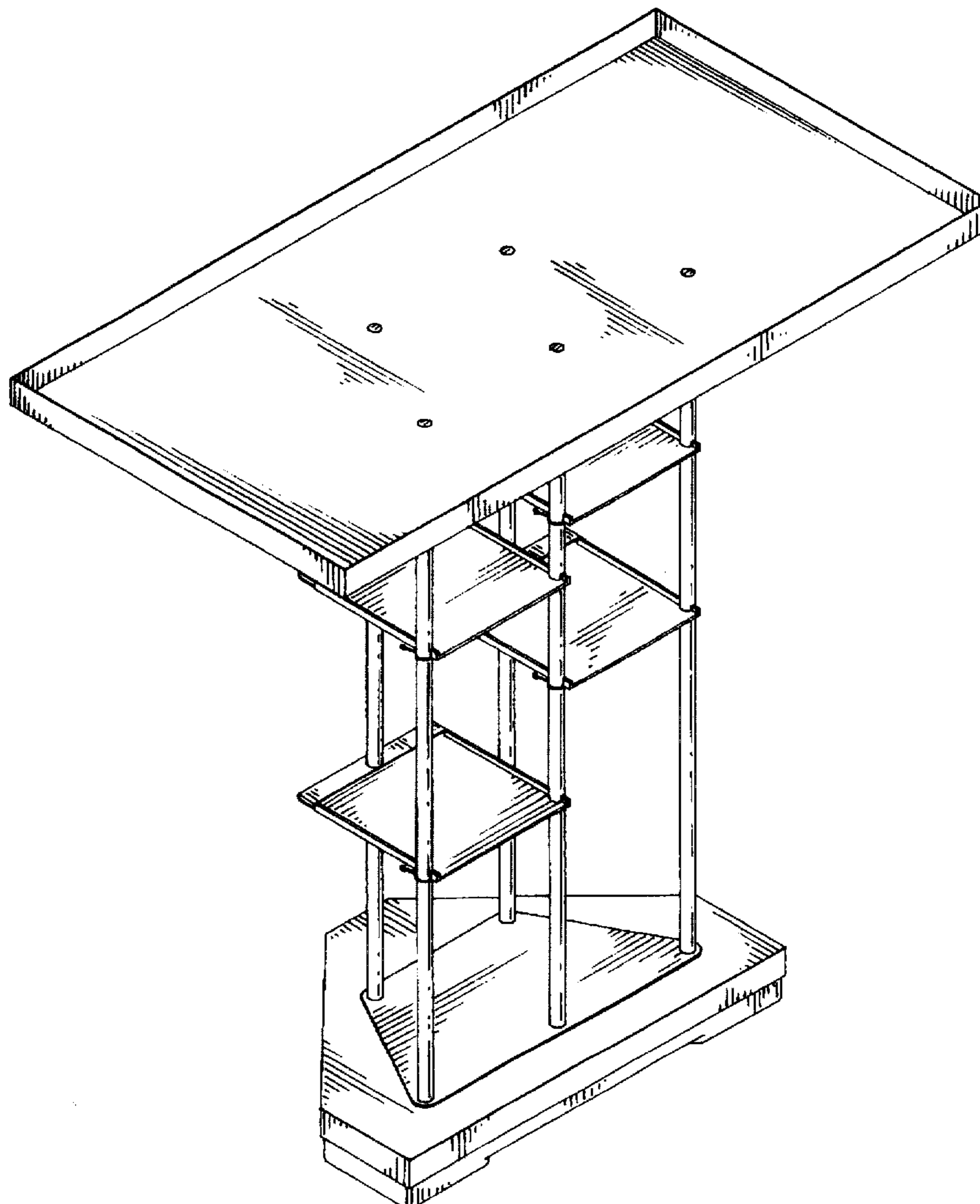


FIG. 1

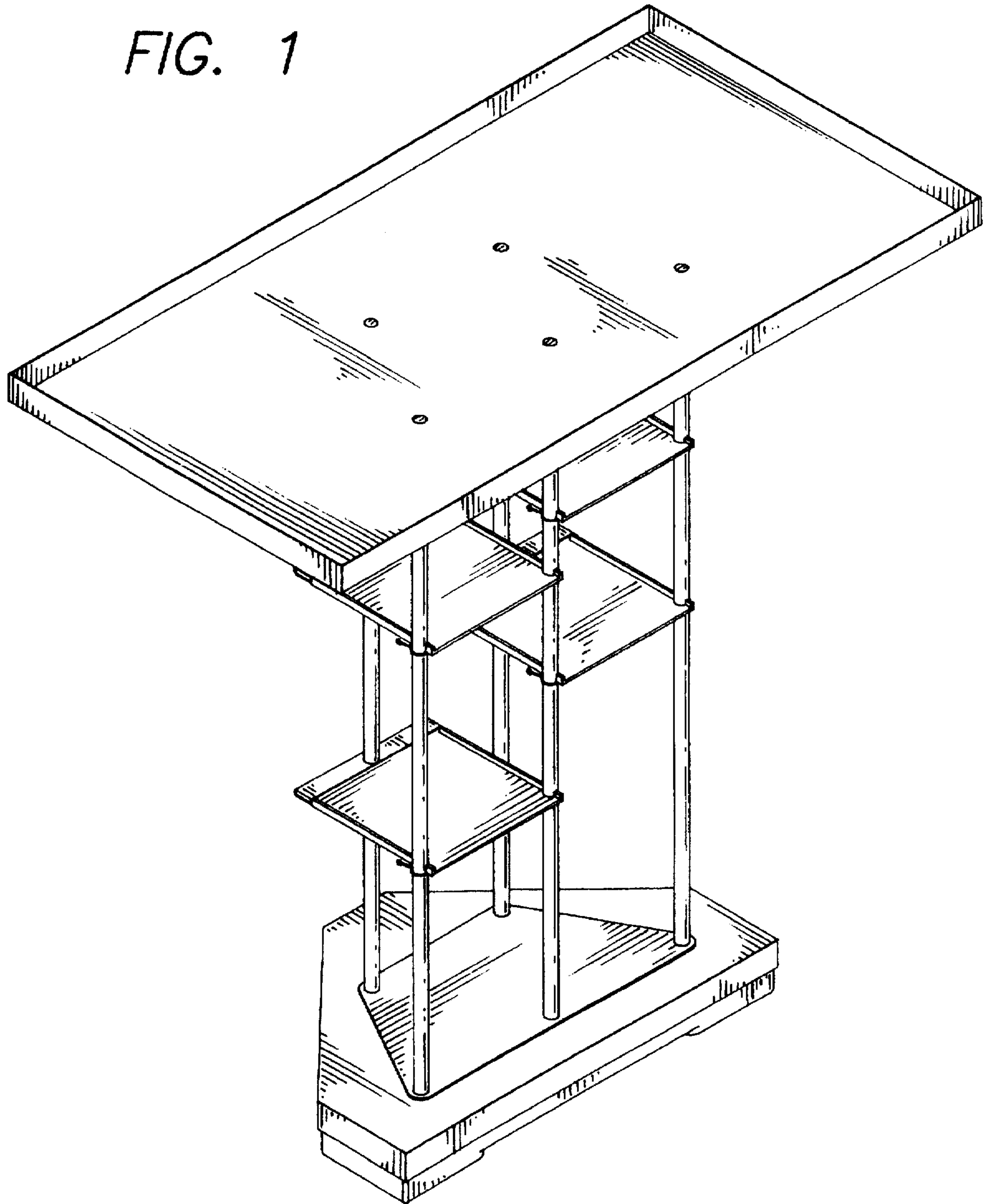


FIG. 2

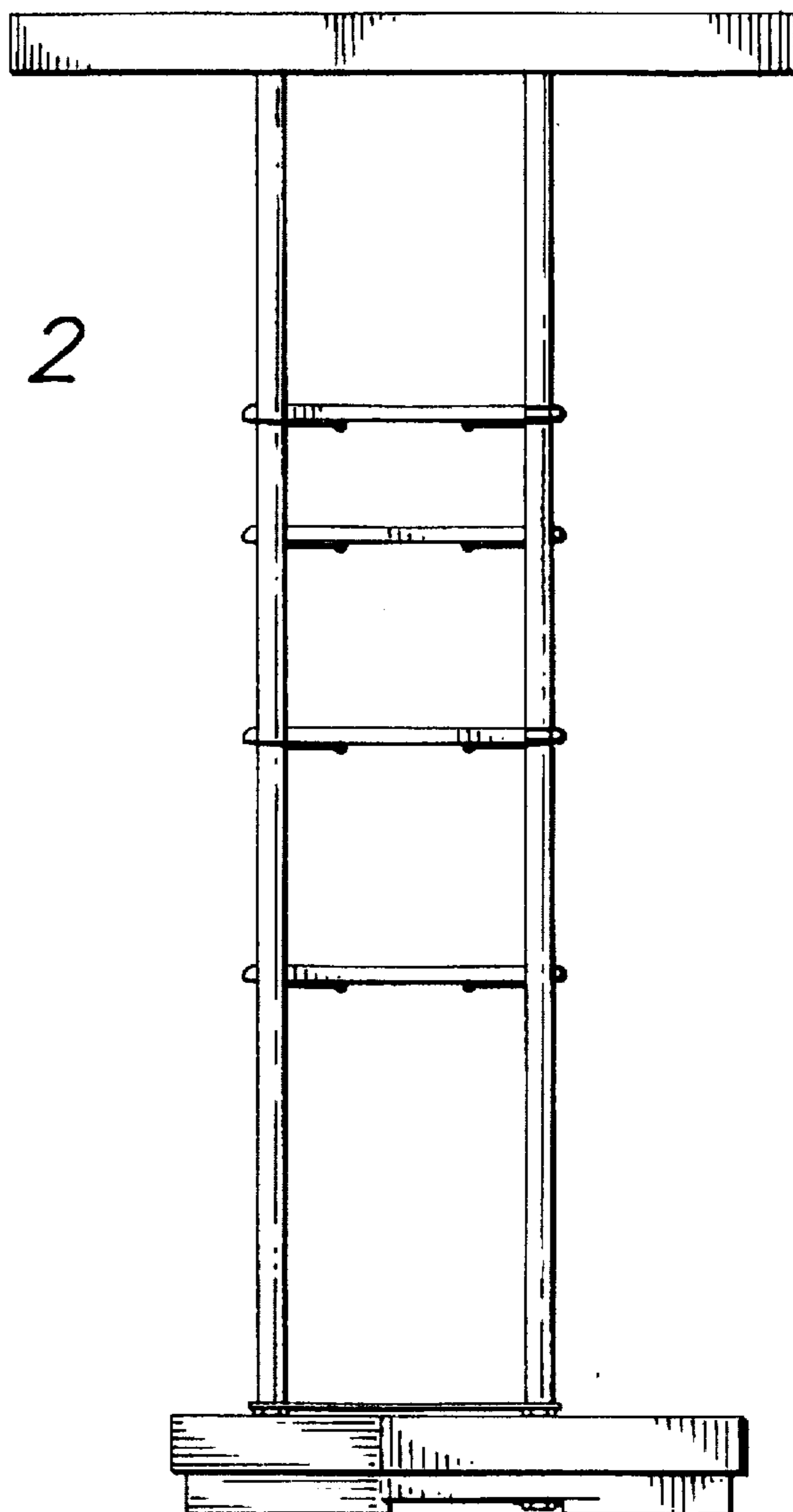


FIG. 3

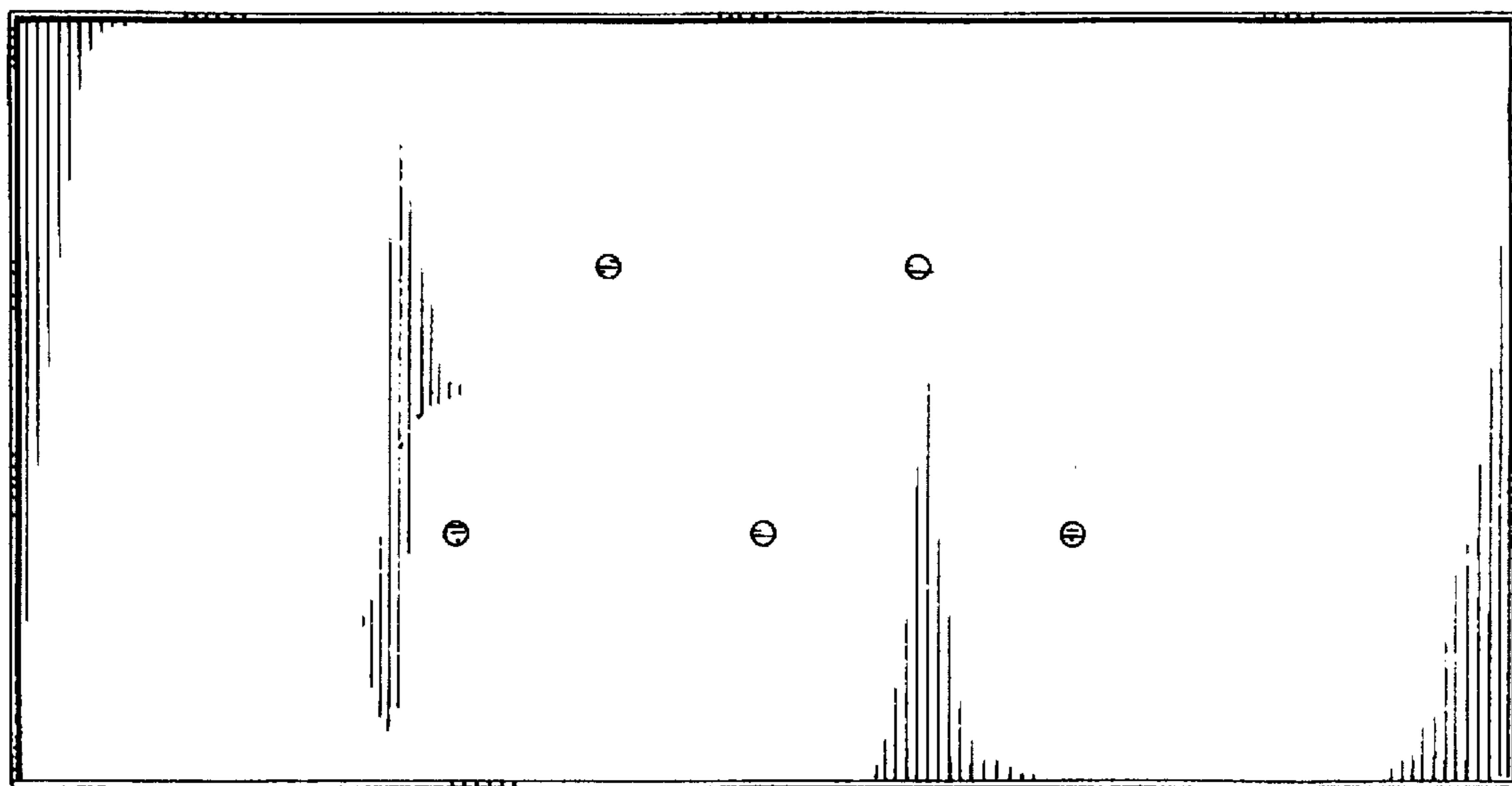


FIG. 5

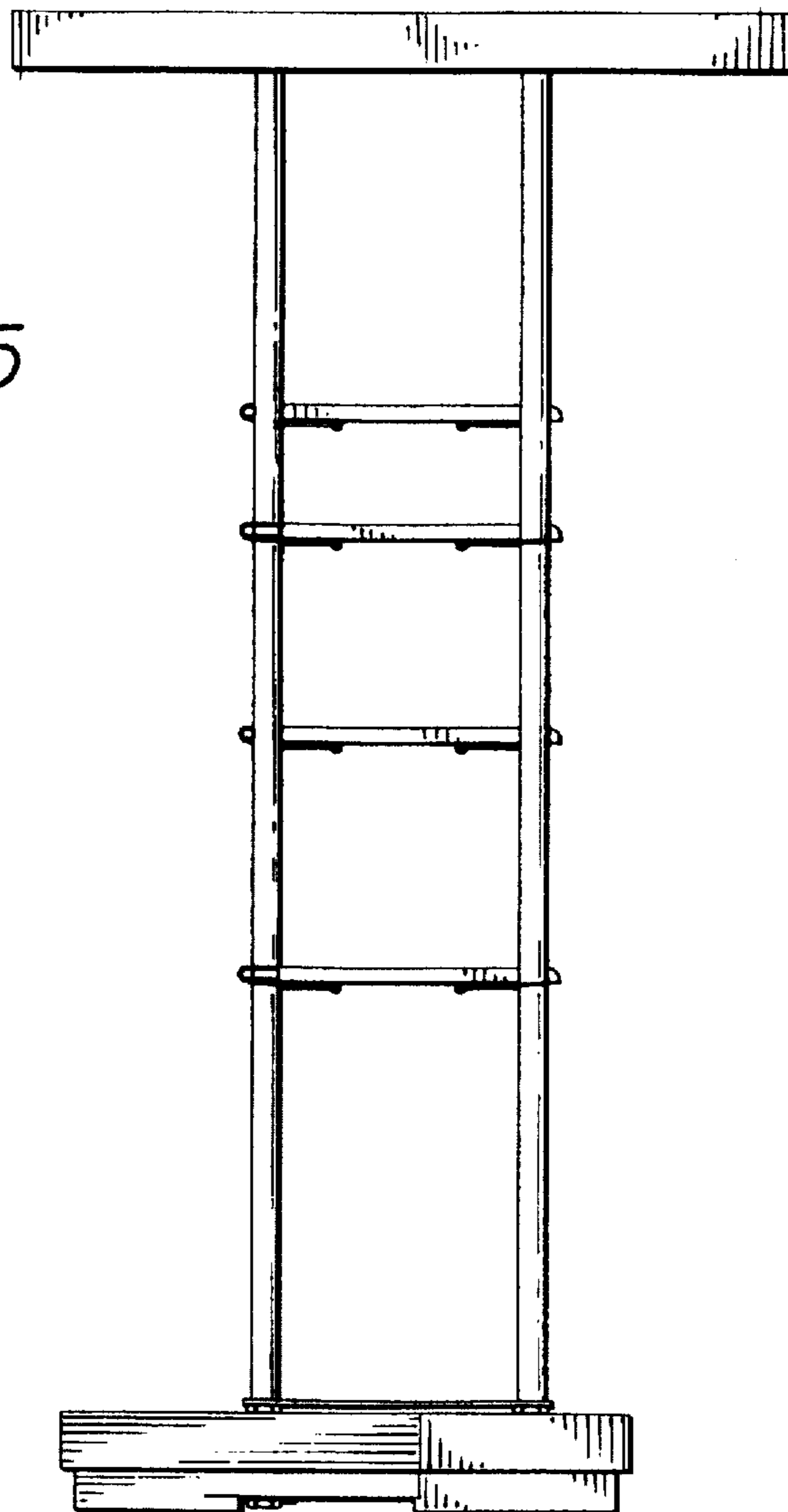


FIG. 4

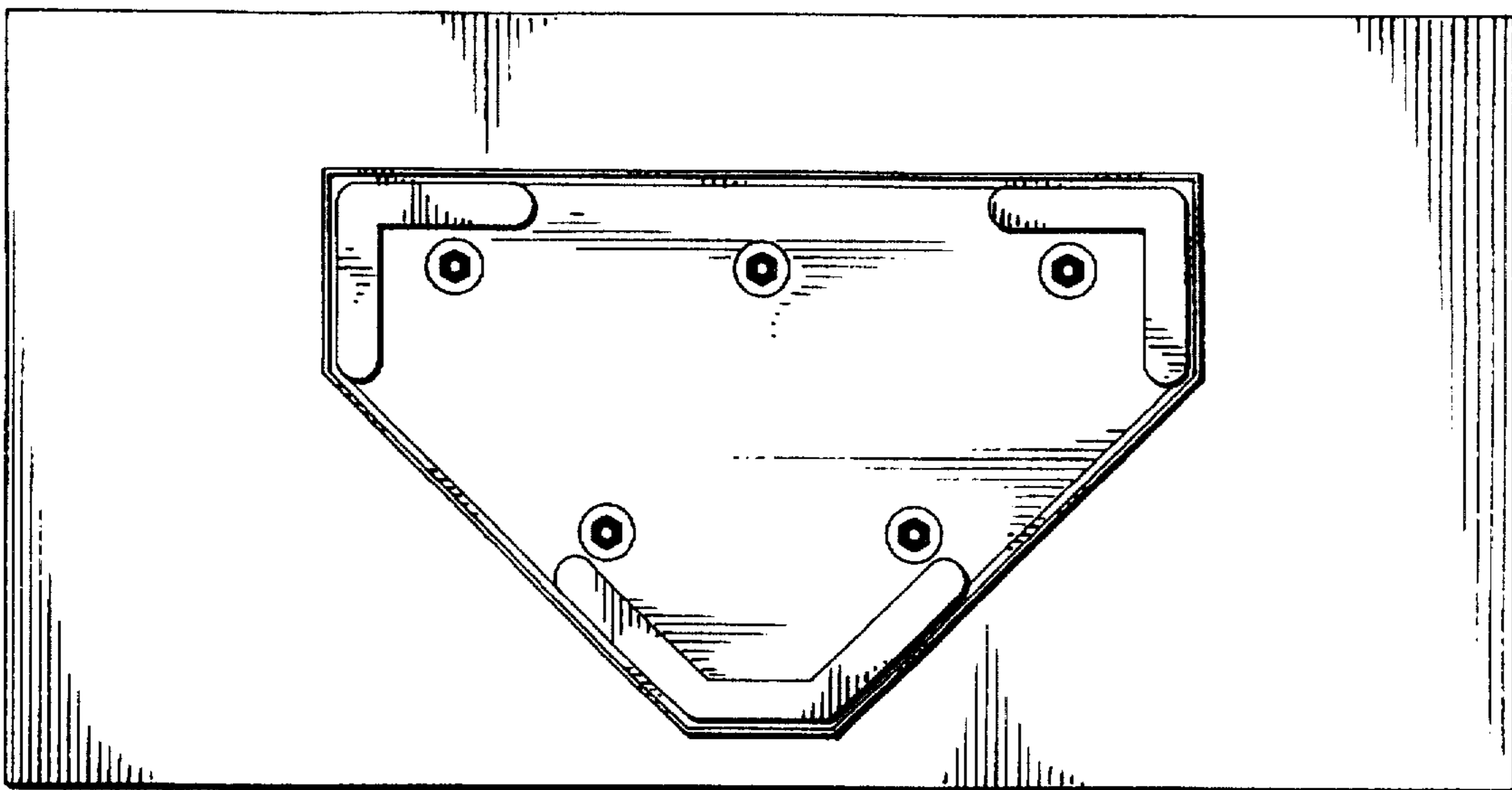


FIG. 6

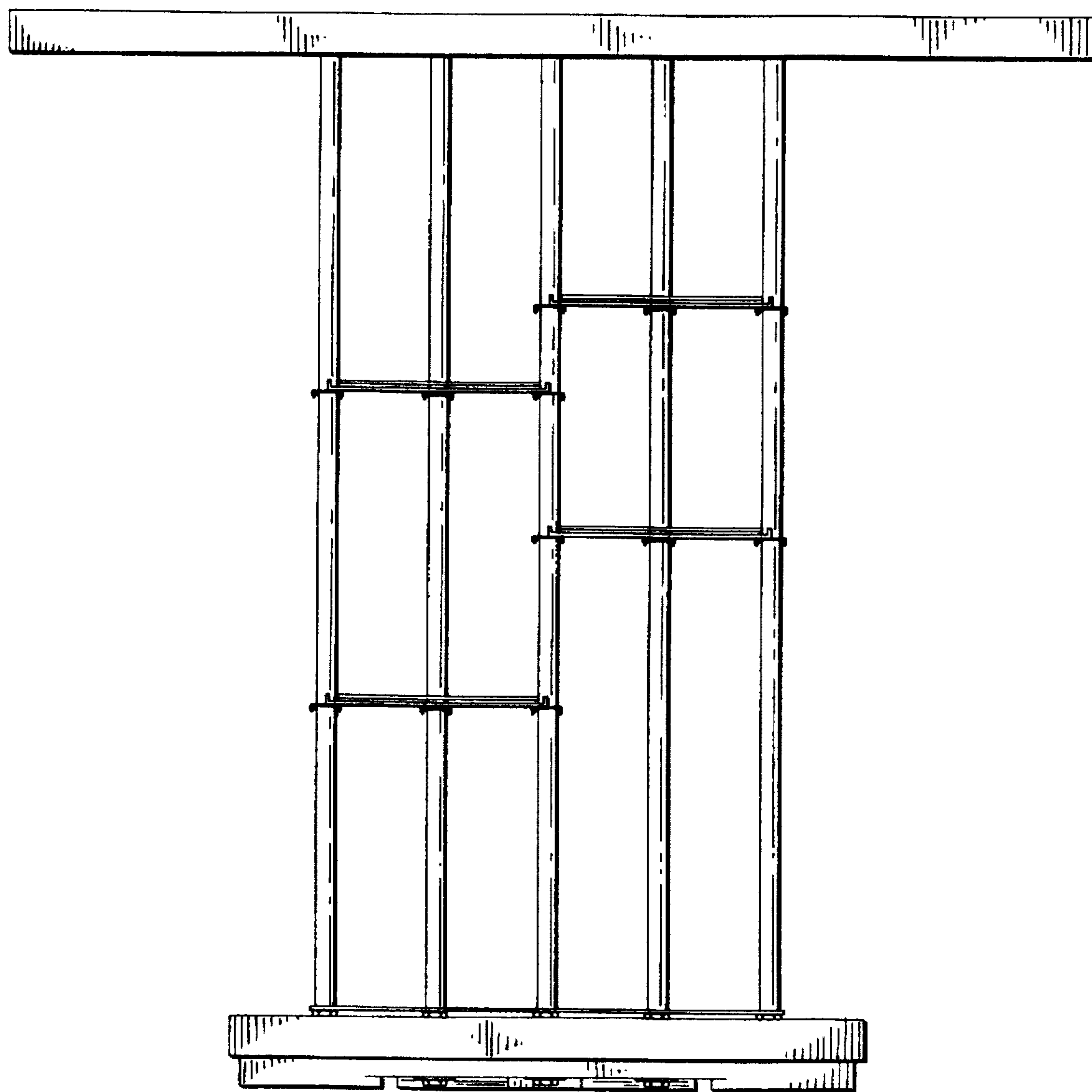


FIG. 7

