



US00D385720S

United States Patent [19]

Dickinson et al.

[11] Patent Number: **Des. 385,720**

[45] Date of Patent: ****Nov. 4, 1997**

[54] **STORAGE BIN**

[75] Inventors: **Thomas Dickinson; Bradley D. Gale,**
both of St. Louis; **Martin Shawn Egan,**
Ballwin, all of Mo.

[73] Assignee: **Contico International, Inc.,** St. Louis,
Mo.

[**] Term: **14 Years**

[21] Appl. No.: **51,168**

[22] Filed: **Mar. 4, 1996**

[51] LOC (6) Cl. **06-04**

[52] U.S. Cl. **D6/440; D6/443**

[58] Field of Search **D6/440, 436, 443;**
D34/5-7, 11; D9/420, 425; 220/331, 345,
659

[56] **References Cited**

U.S. PATENT DOCUMENTS

D. 93,860 11/1934 Wolters **D6/440**

D. 299,391 1/1989 Meehan **D6/440**
D. 327,756 7/1992 Klein et al. **D34/5 X**

Primary Examiner—Carmen H. Vales-Lado
Attorney, Agent, or Firm—Howell & Haferkamp, L.C.

[57] **CLAIM**

The ornamental design for a storage bin, as shown and described.

DESCRIPTION

FIG. 1 is a perspective view of a storage bin showing our new design;
FIG. 2 is a left side elevational view, the right side being a mirror image thereof;
FIG. 3 is a front elevational view thereof;
FIG. 4 is a rear elevational view thereof;
FIG. 5 is a top plan view thereof; and,
FIG. 6 is a bottom plan view thereof.
The broken line showing of castors throughout the views is for illustrative purposes only and forms no part of the claimed design.

1 Claim, 4 Drawing Sheets

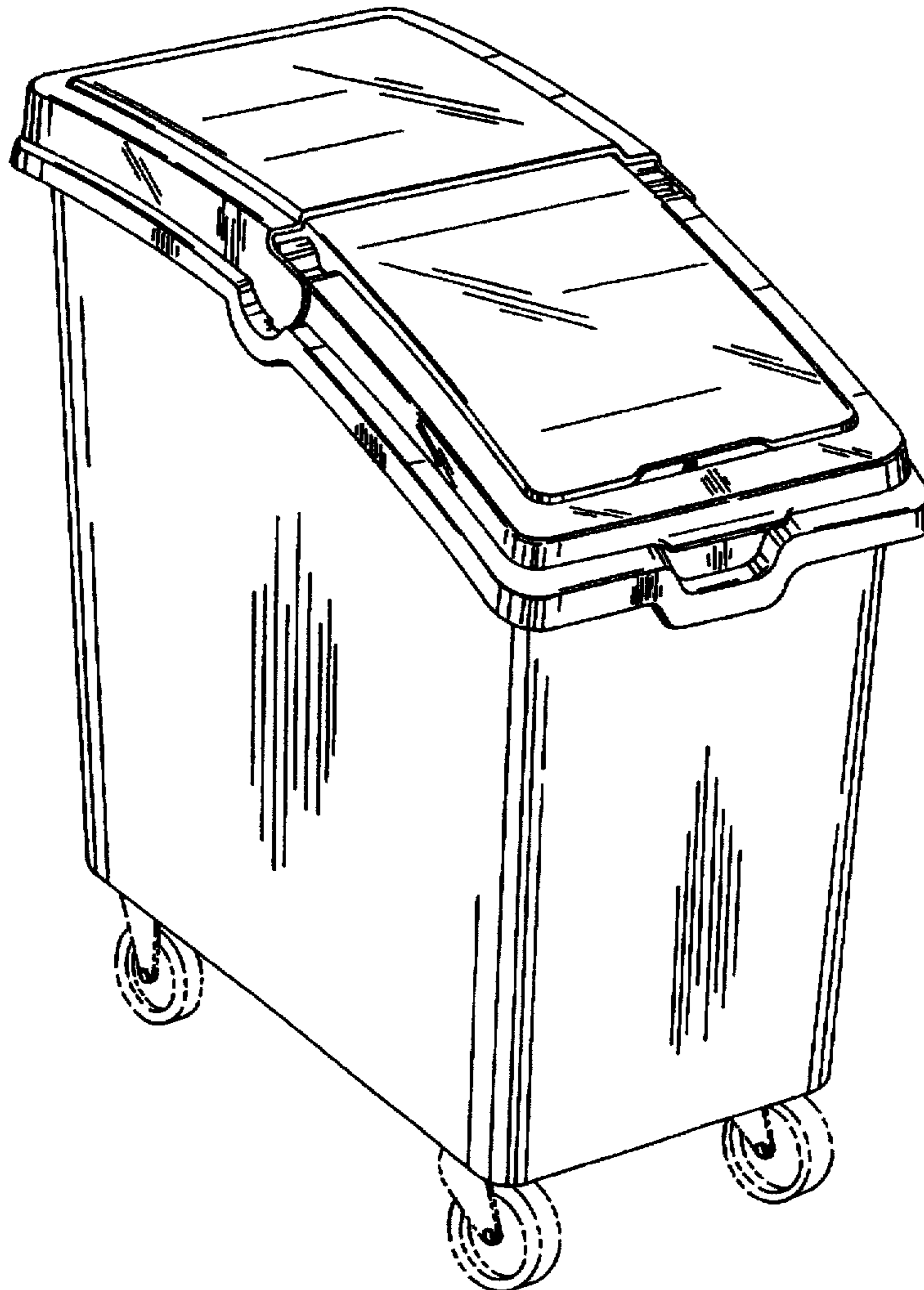
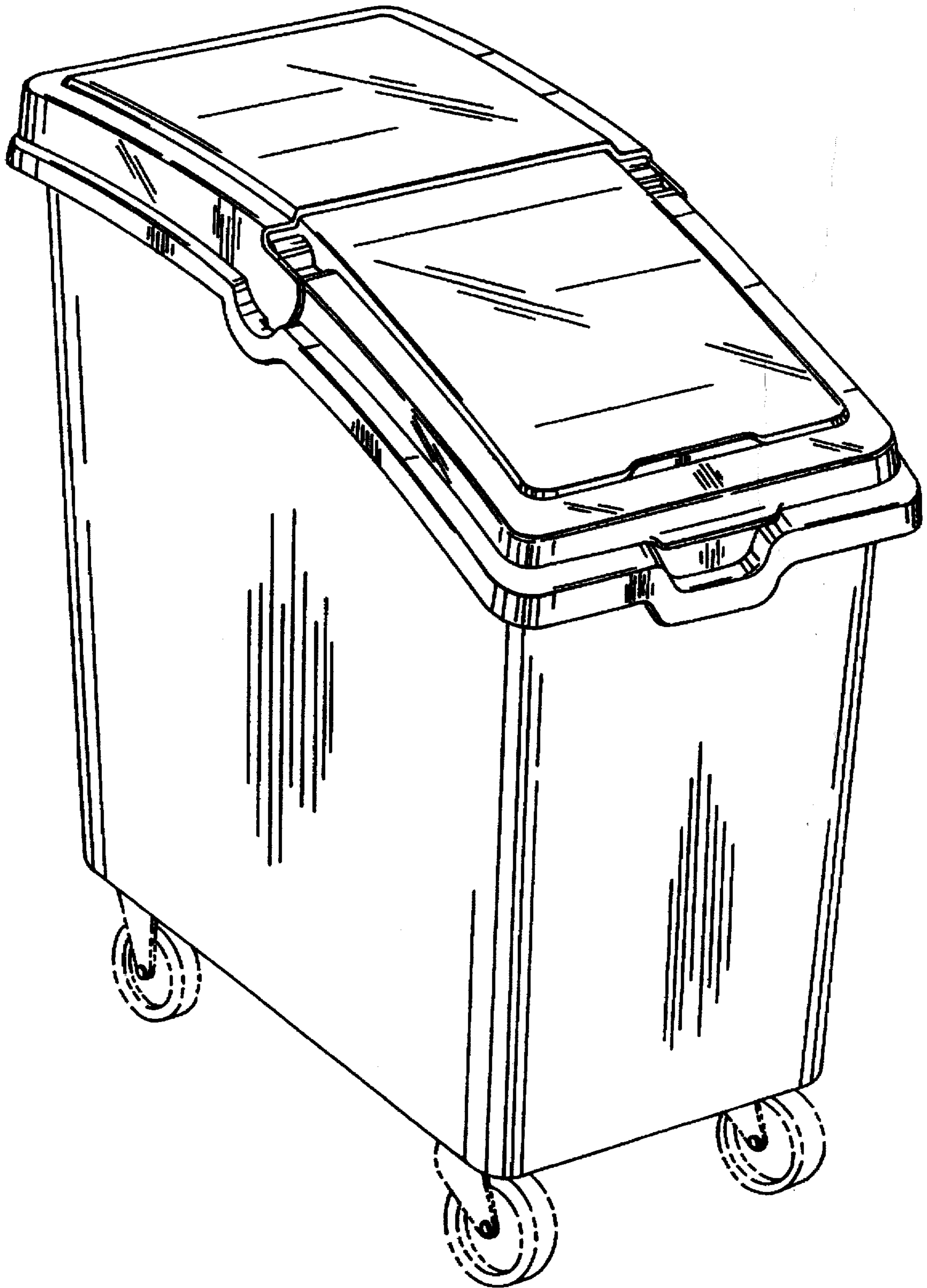


FIG. 1



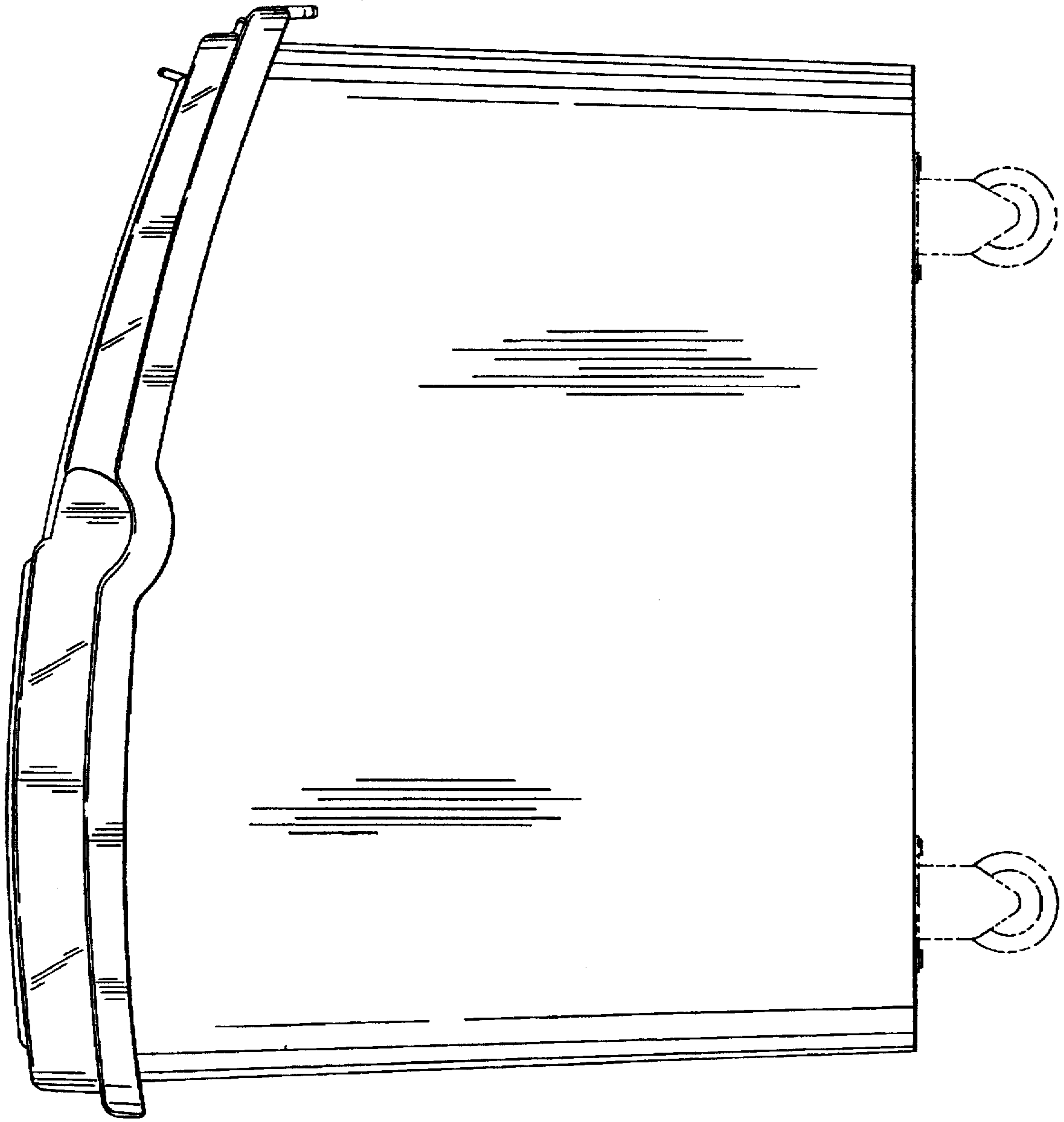


FIG. 2

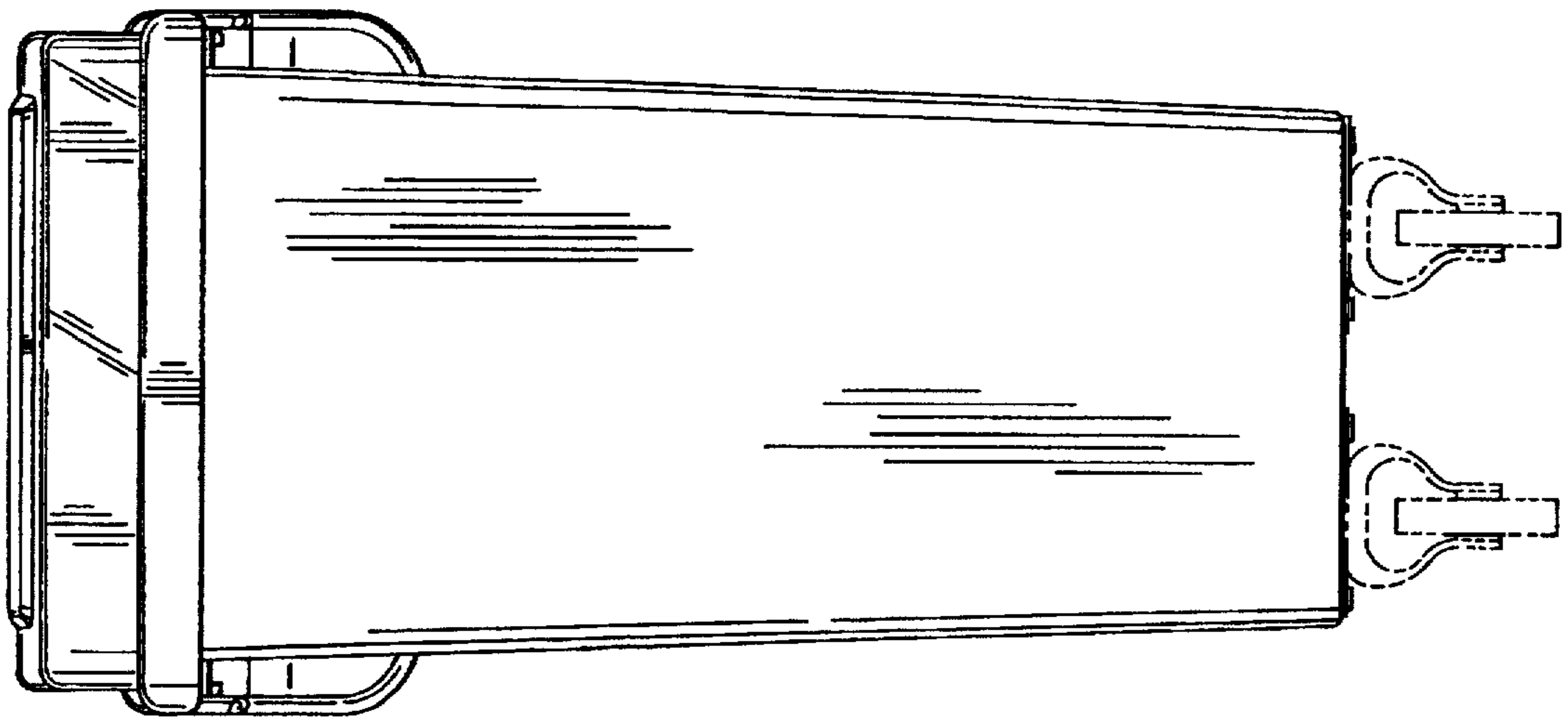


FIG. 4

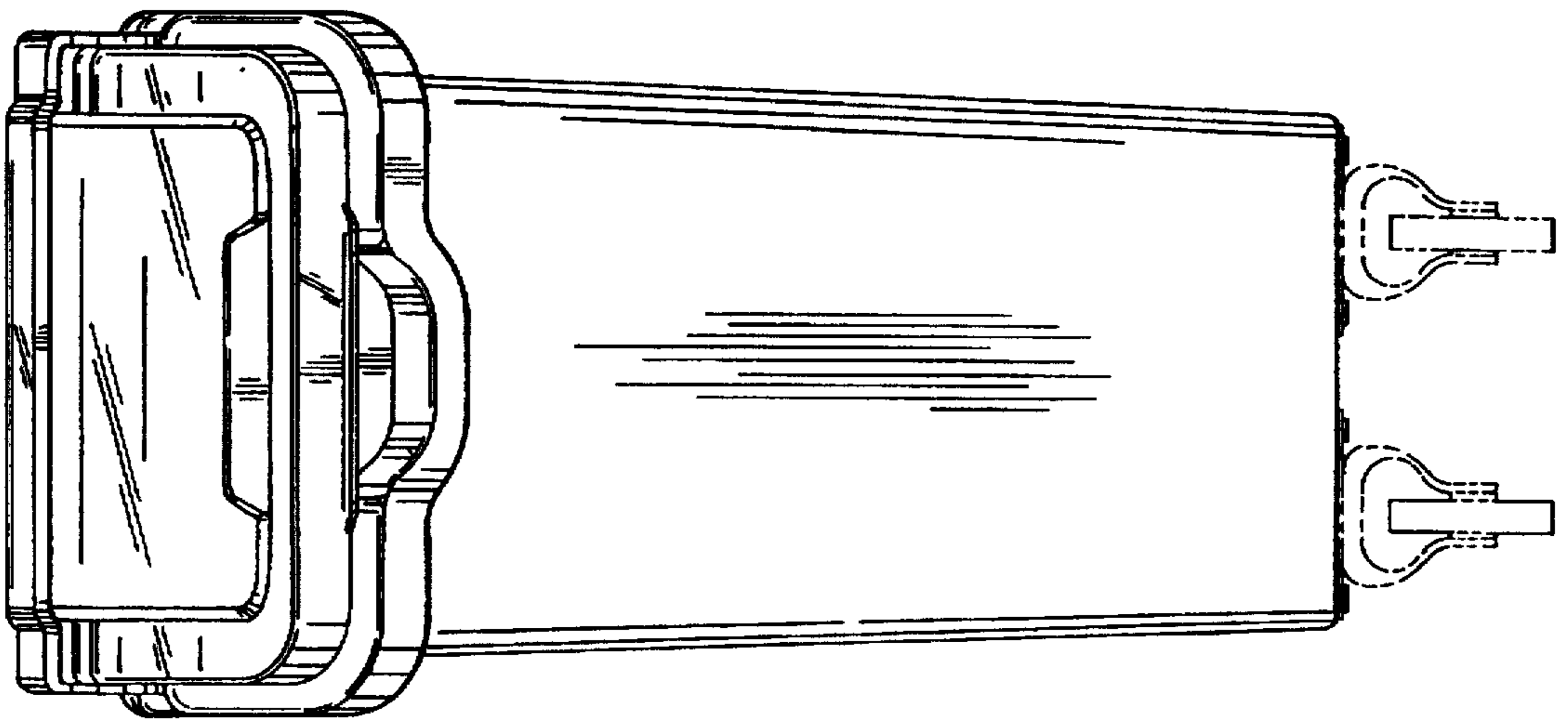


FIG. 3

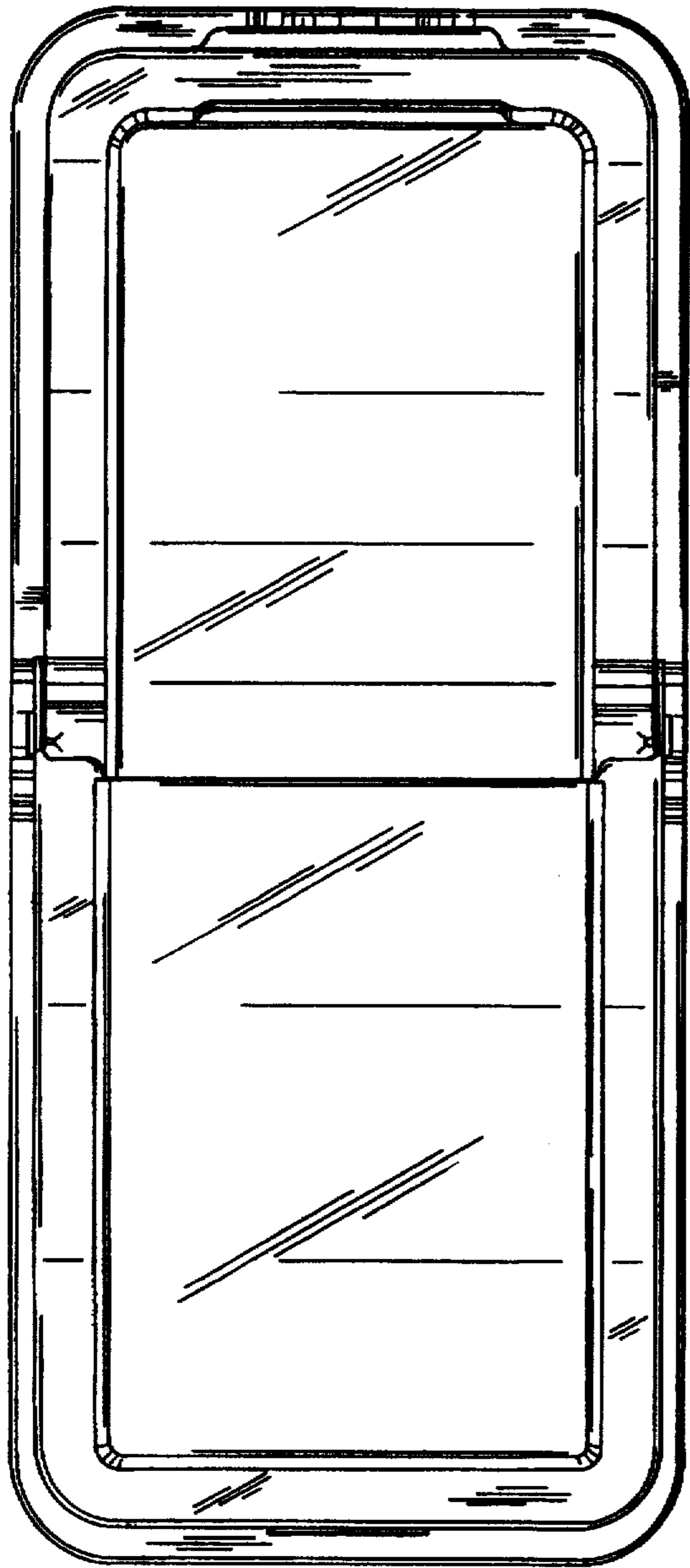


FIG. 5

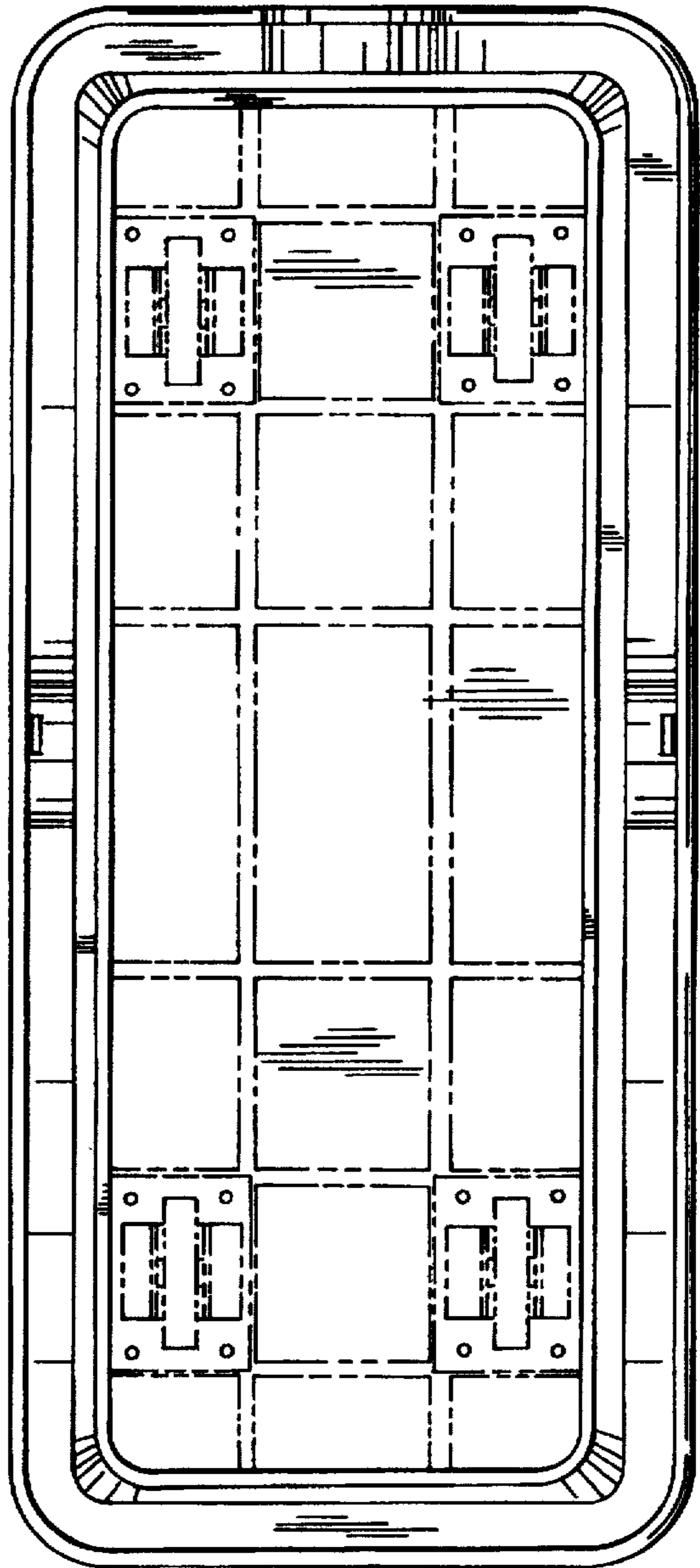


FIG. 6