



US00D385717S

# United States Patent [19]

[11] Patent Number: **Des. 385,717**

**Howell**

[45] Date of Patent: **\*\*Nov. 4, 1997**

[54] **DESK TOP BOOK HOLDER**

4,718,630 1/1988 Richard ..... 248/444.1  
4,832,303 5/1989 Myeeo ..... 248/444.1

[76] Inventor: **Richard J. Howell**, 209 Dewey Hill Rd., Stowe, Vt. 05672

### FOREIGN PATENT DOCUMENTS

[\*\*] Term: **14 Years**

1189709 10/1959 France ..... 248/460

[21] Appl. No.: **51,950**

*Primary Examiner*—Carmen H. Vales-Lado  
*Attorney, Agent, or Firm*—Paul M. Craig, Jr.

[22] Filed: **Mar. 20, 1996**

### [57] CLAIM

[51] LOC (6) Cl. .... **06-04**

The ornamental design for a desk top book holder, as shown and described.

[52] U.S. Cl. .... **D6/419**

### DESCRIPTION

[58] Field of Search ..... D6/419, 420; D19/90, D19/91; 248/441.1, 444.1, 447.1, 447.2, 448, 449, 454, 460, 461

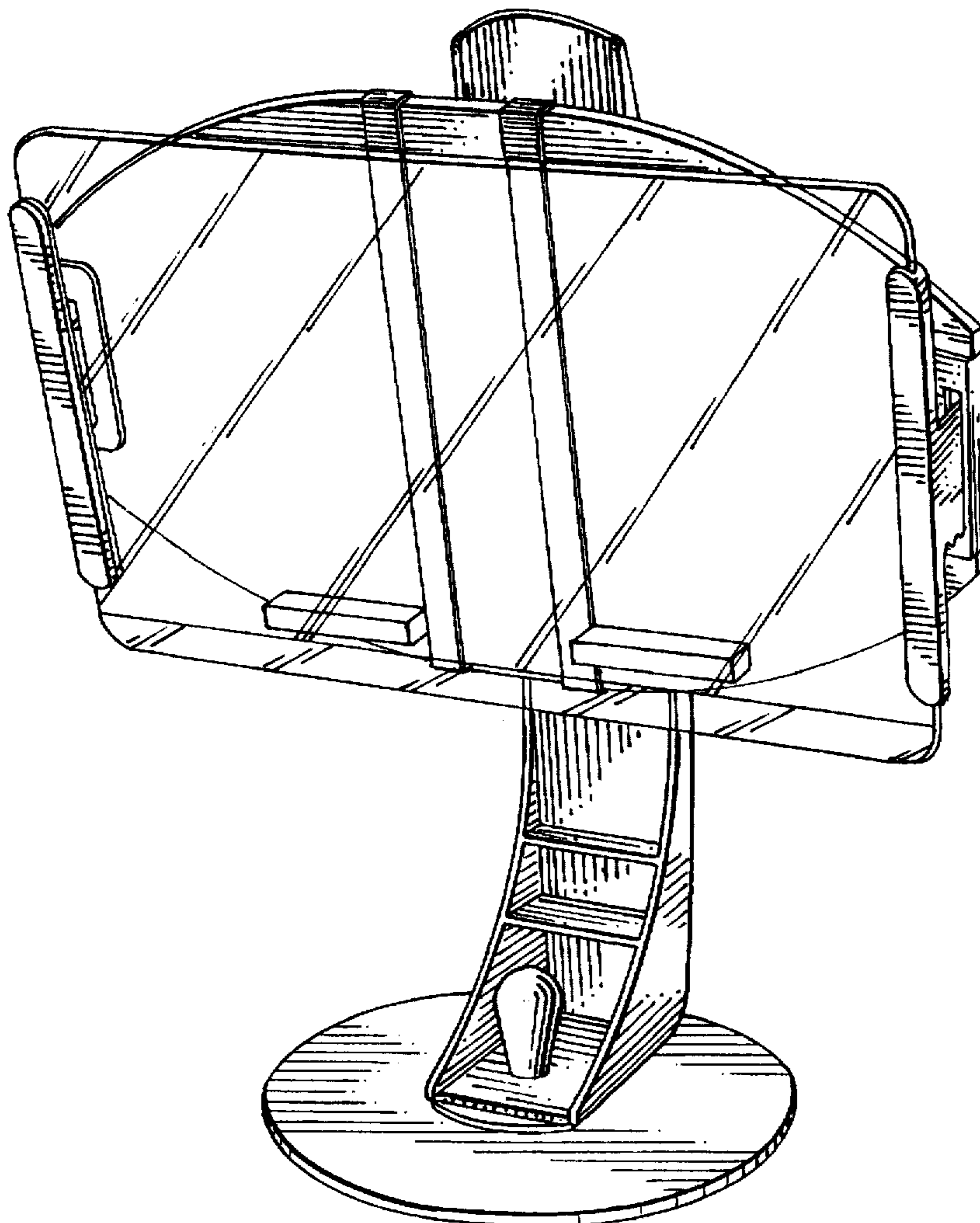
FIG. 1 is a front perspective view of a desk top book holder showing my new design;  
FIG. 2 is a front elevational view thereof;  
FIG. 3 is a side elevational view thereof;  
FIG. 4 is a rear elevational view thereof; and,  
FIG. 5 is a top plan view thereof.

### [56] References Cited

#### U.S. PATENT DOCUMENTS

D. 305,837	2/1990	Bowman	.....	D6/419
D. 320,319	10/1991	Brothers et al.	.....	D6/419
D. 329,762	9/1992	Weeks	.....	D6/419
D. 348,992	7/1994	Arima	.....	D6/420

**1 Claim, 5 Drawing Sheets**



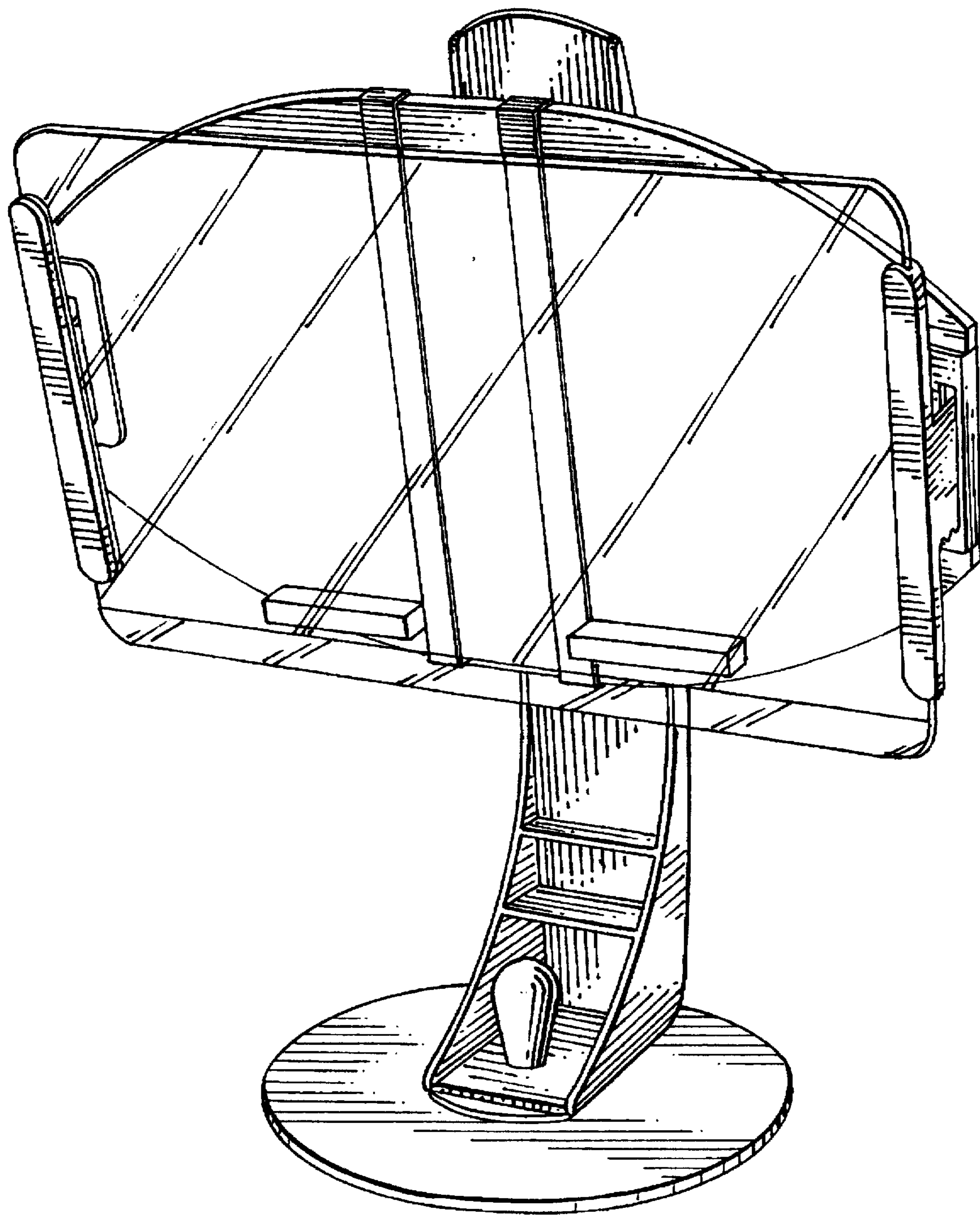


FIG. 1

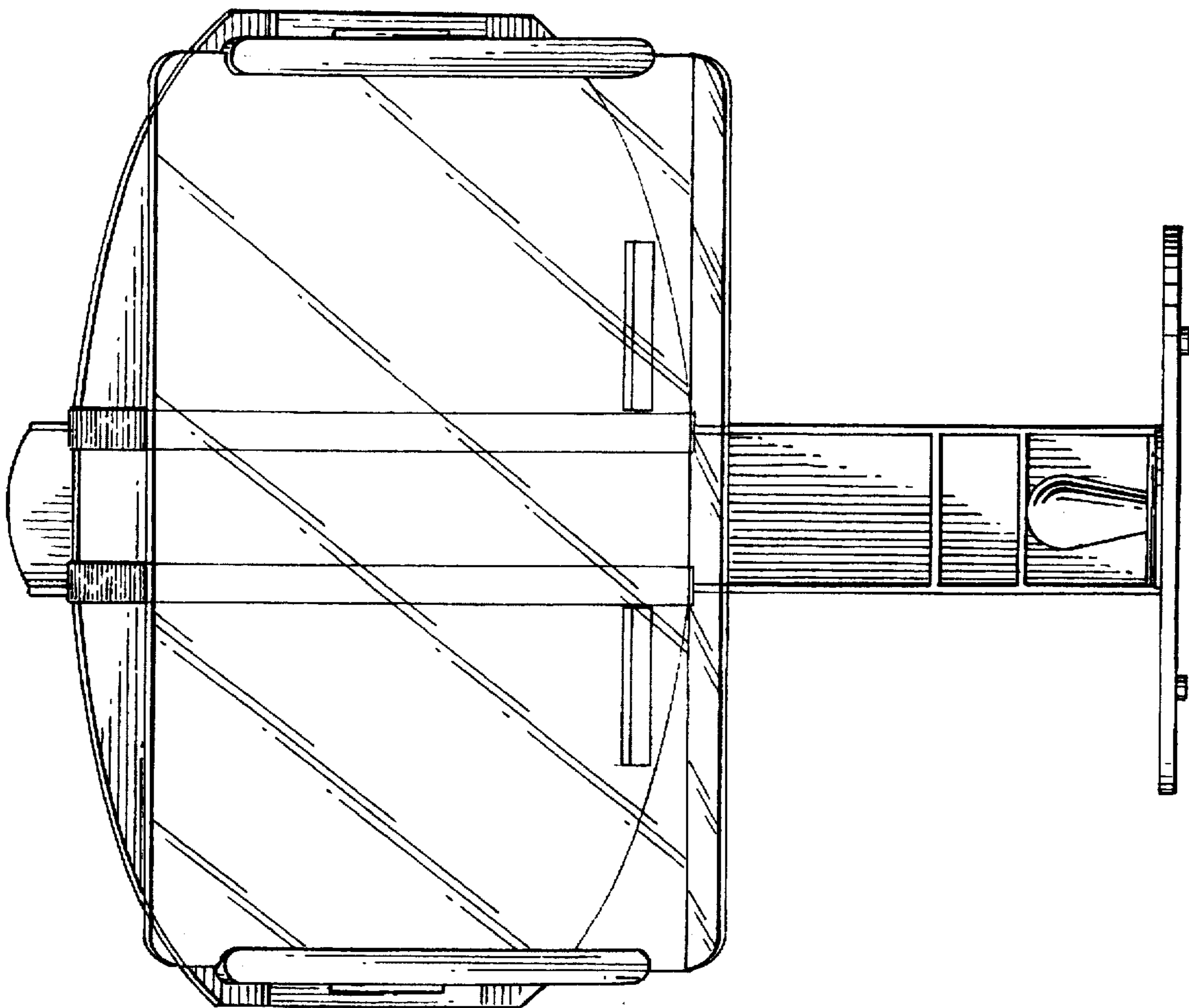


FIG. 2

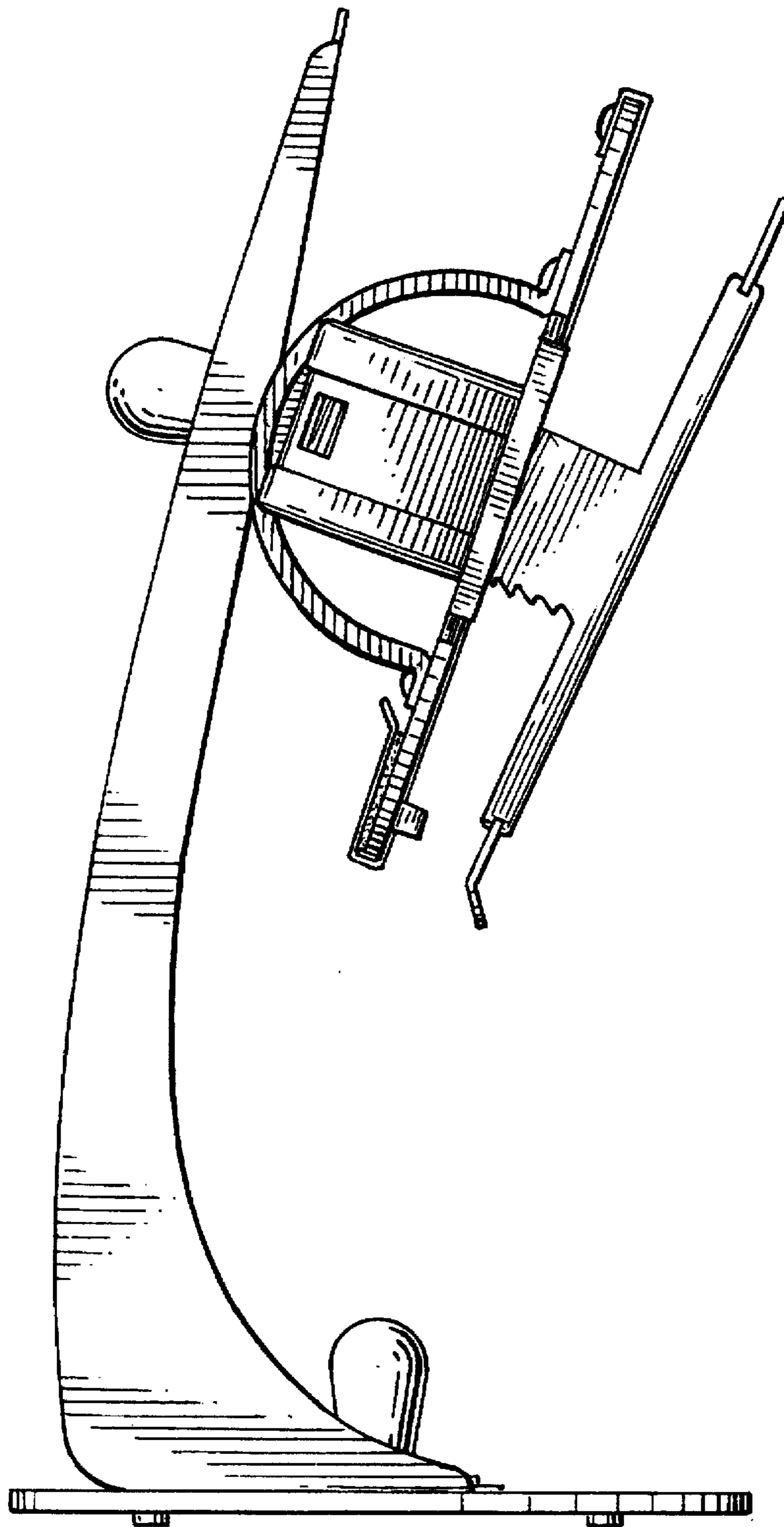


FIG. 3

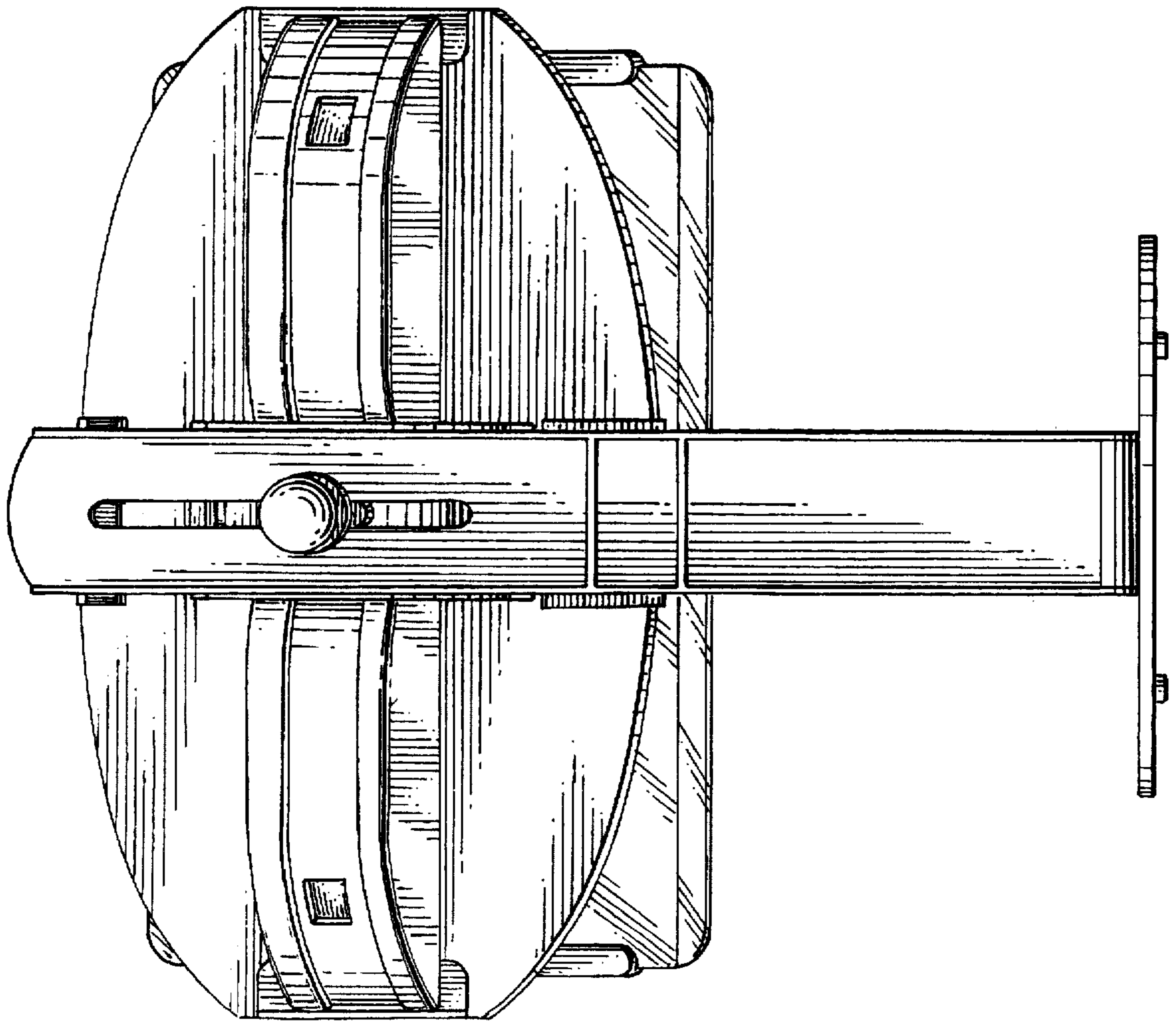


FIG. 4

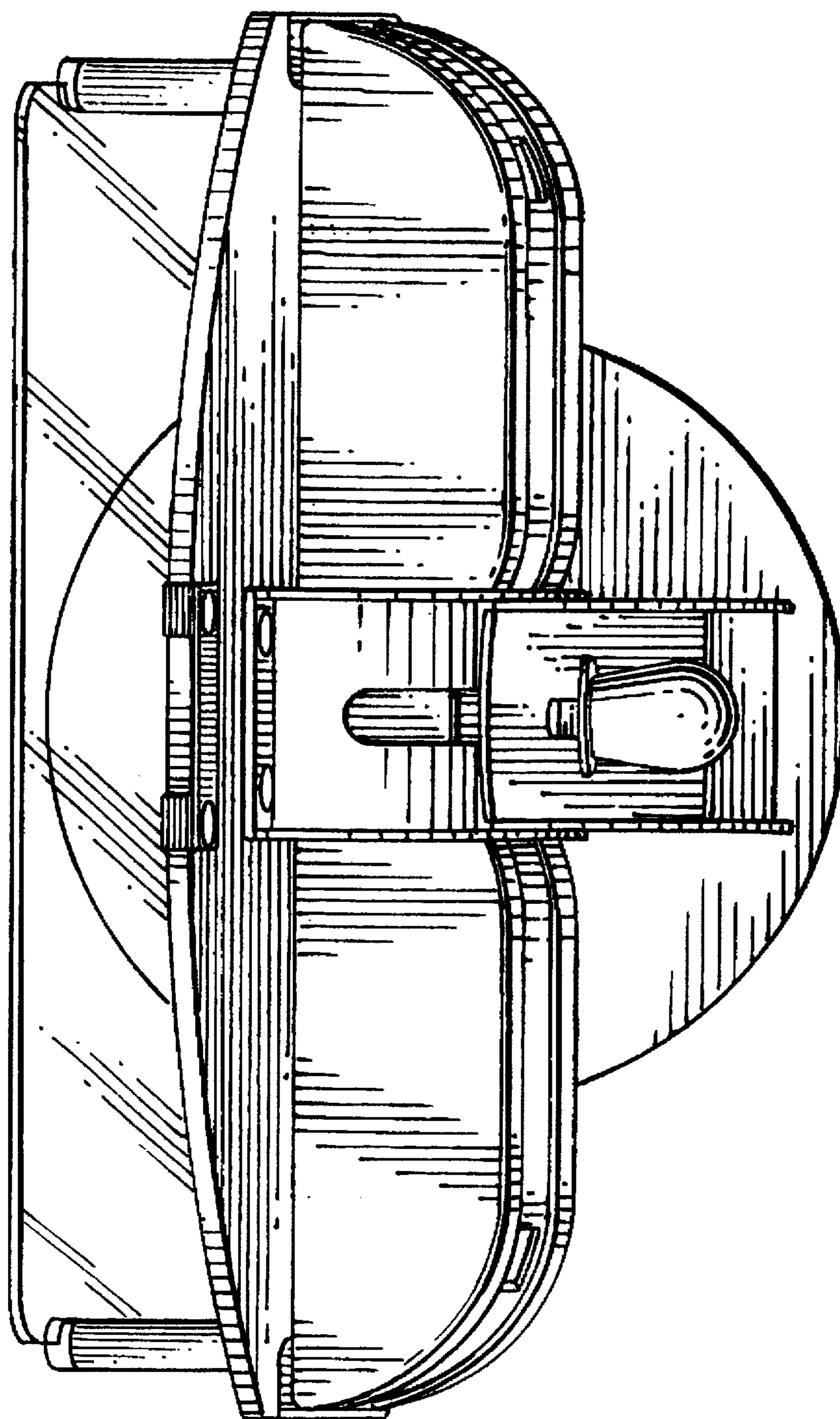


FIG. 5