



US00D385712S

# United States Patent [19]

[11] Patent Number: **Des. 385,712**

Rottet

[45] Date of Patent: **\*\*Nov. 4, 1997**

[54] CHAIR

D. 366,774	2/1996	Frinier	.....	D6/370
D. 374,561	10/1996	Meijer	.....	D6/379
D. 376,485	12/1996	Cretcher	.....	D6/379

[75] Inventor: **Lauren Rottet**, Los Angeles, Calif.

[73] Assignee: **Bernhardt Furniture Company**, Lenoir, N.C.

[\*\*] Term: **14 Years**

[21] Appl. No.: **60,113**

[22] Filed: **Sep. 23, 1996**

[51] LOC (6) Cl. .... **06-01**

[52] U.S. Cl. .... **D6/379; D6/380**

[58] Field of Search ..... **D6/334, 370, 379, D6/380, 500, 501, 502; 297/446.1**

[56] **References Cited**

### U.S. PATENT DOCUMENTS

D. 183,768	10/1958	Robinson	.....	D6/379
D. 255,625	7/1980	Lübke	.....	D6/379
D. 271,543	11/1983	DeFuccio	.....	D6/379
D. 309,991	8/1990	Miller	.....	D6/380
D. 333,925	3/1993	Ricchio, Jr. et al.	.....	D6/370

### OTHER PUBLICATIONS

Taylor Chair Co., Contemporary Catalog, Front Cover, Chair #6510, Mar. 1973.

*Primary Examiner*—Gary D. Watson

*Attorney, Agent, or Firm*—Rhodes Coats & Bennett, L.L.P.

### [57] CLAIM

The ornamental design for a chair, as shown and described.

### DESCRIPTION

FIG. 1 is a front perspective view of a chair showing my new design;

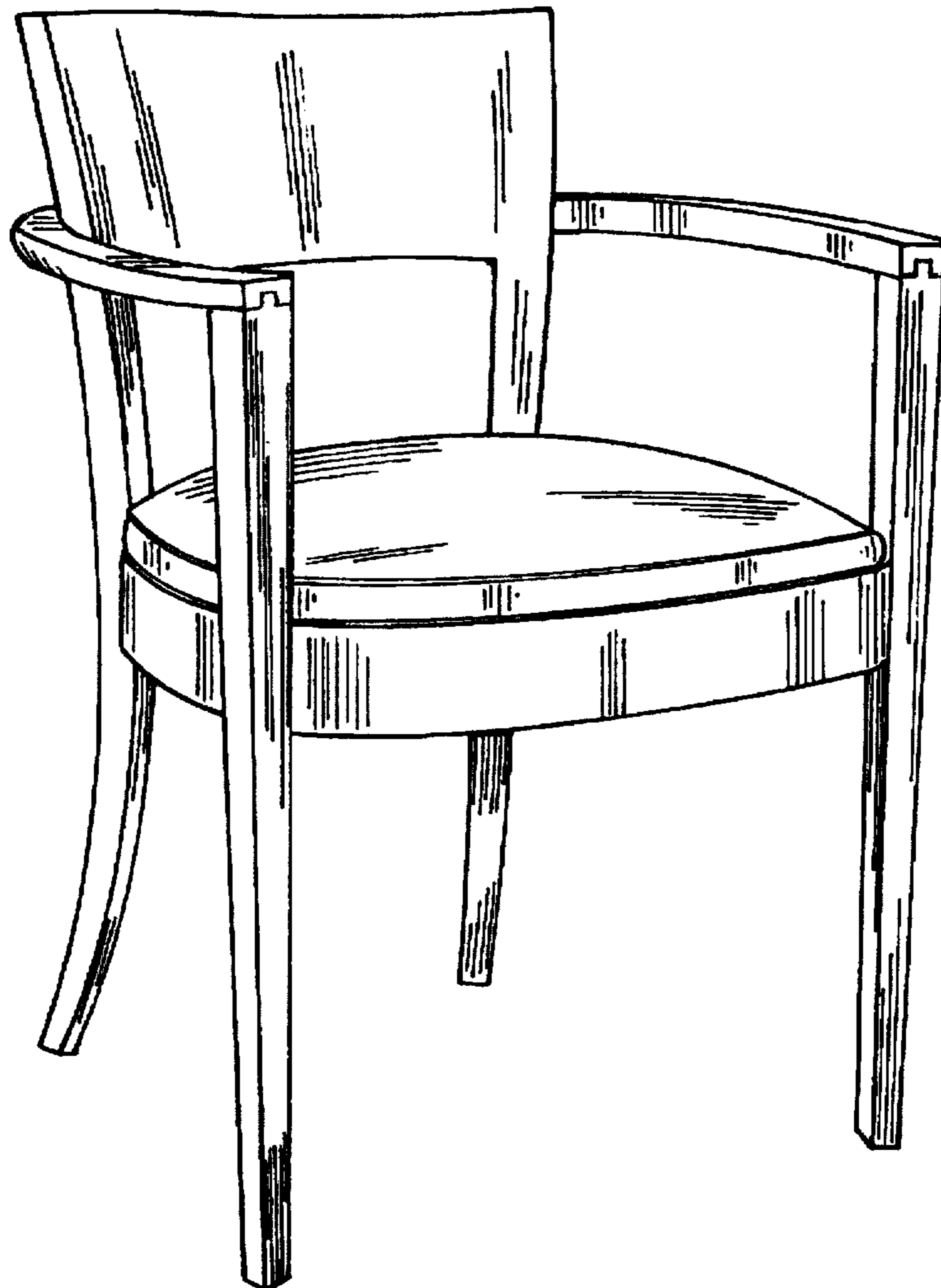
FIG. 2 is a front elevational view thereof;

FIG. 3 is a side elevational view thereof, the opposite side elevational view being a mirror image;

FIG. 4 is a rear elevational view thereof; and,

FIG. 5 is a top plan view.

**1 Claim, 3 Drawing Sheets**



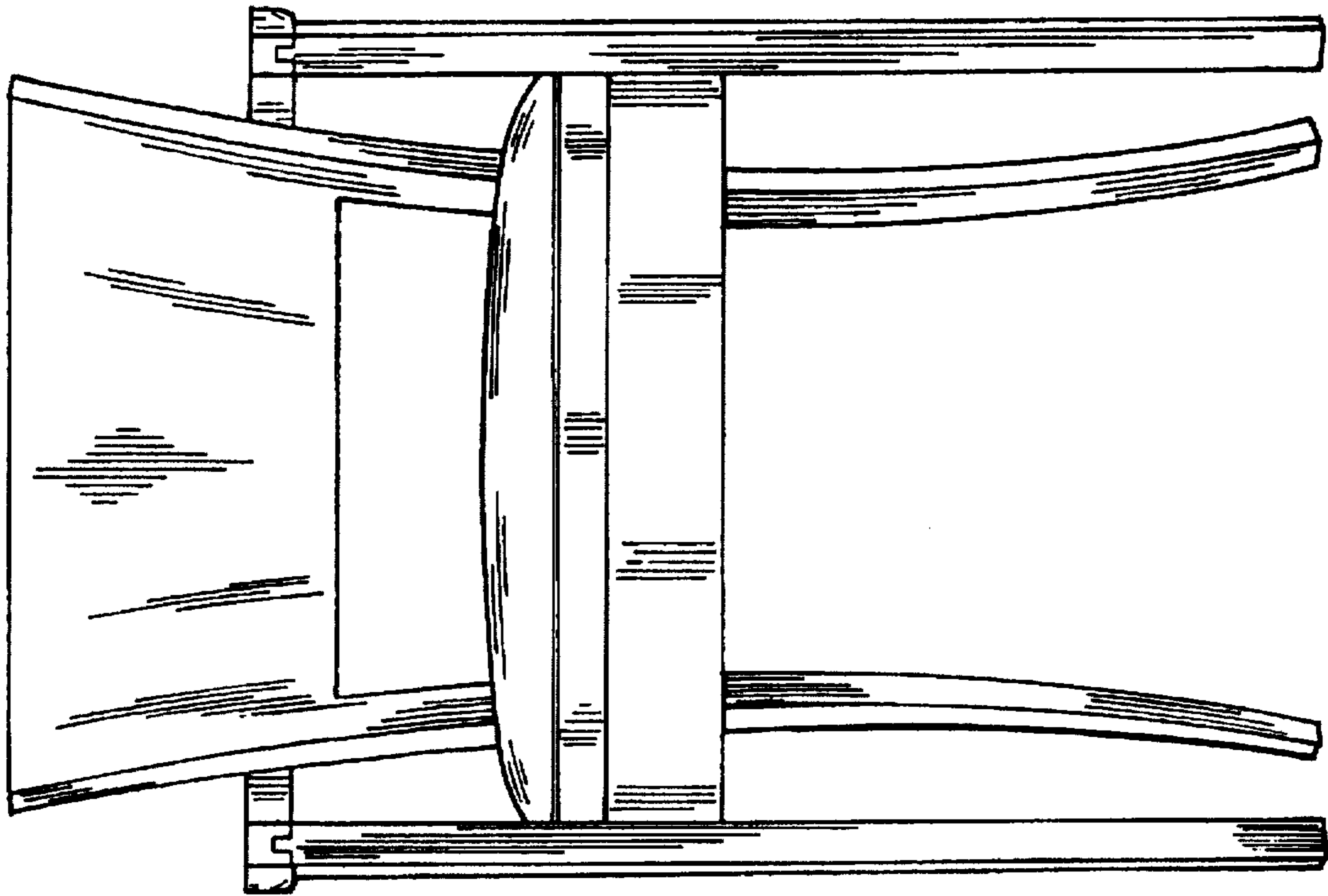


FIG. 2

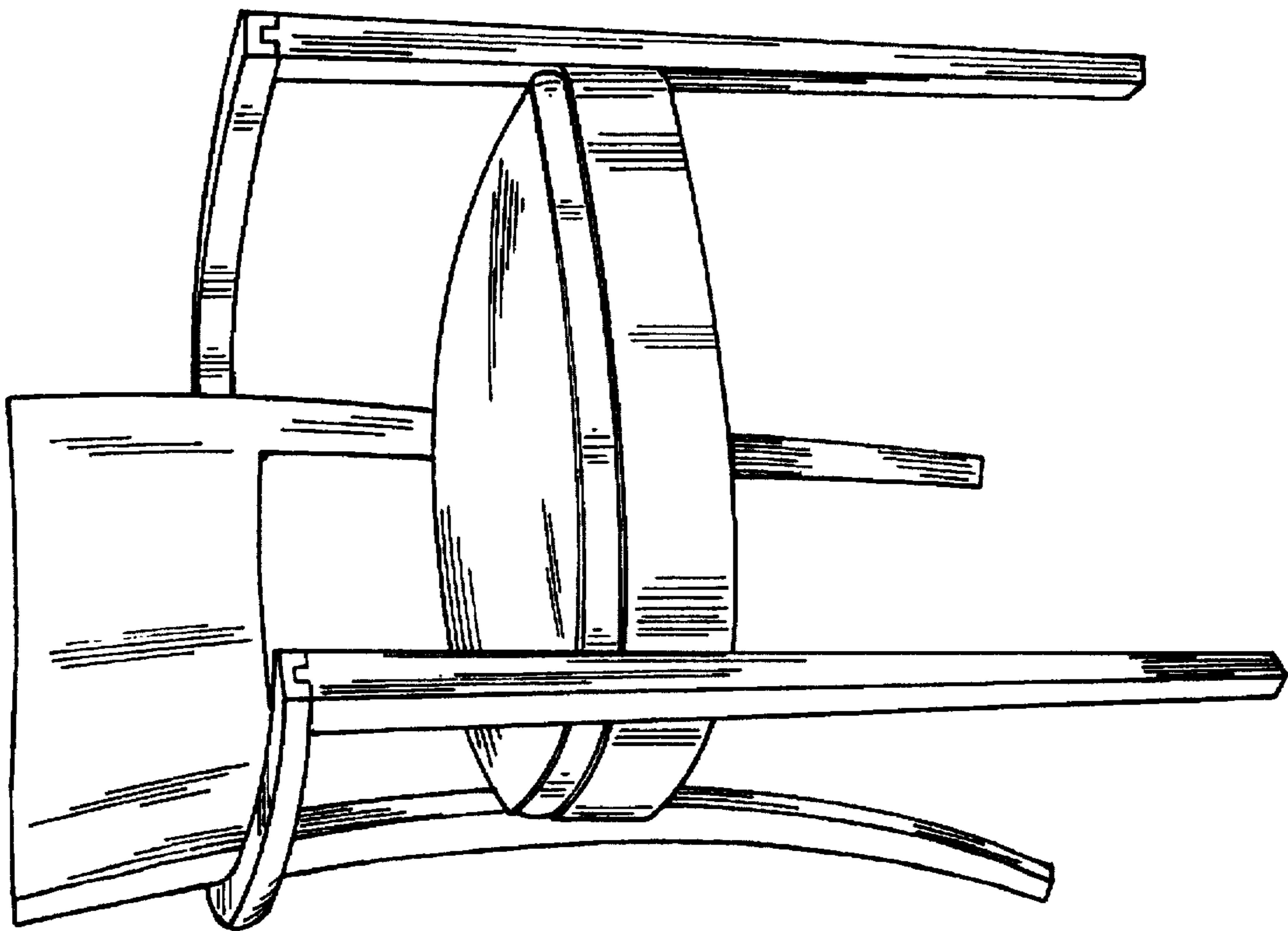


FIG. 1

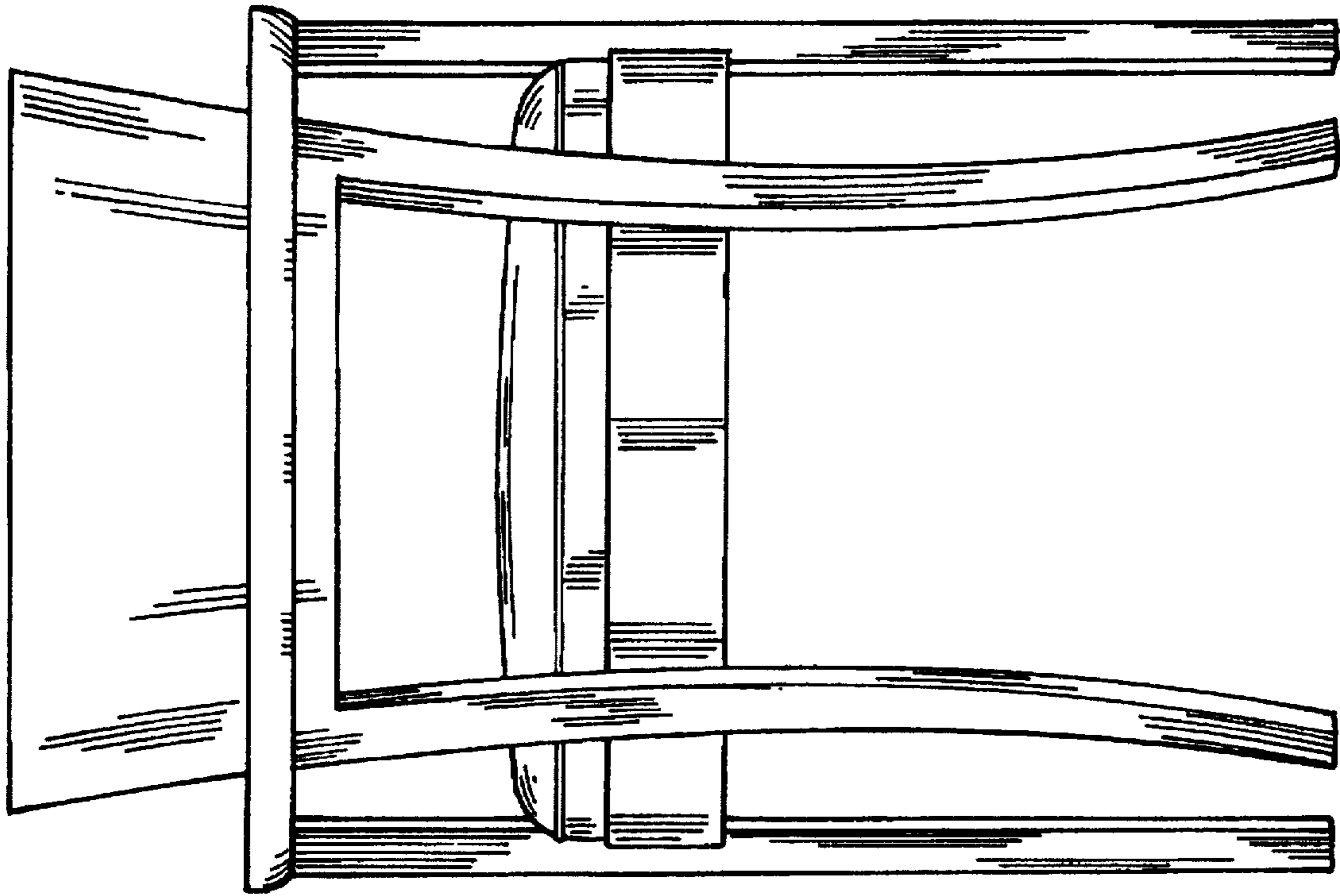


FIG. 4

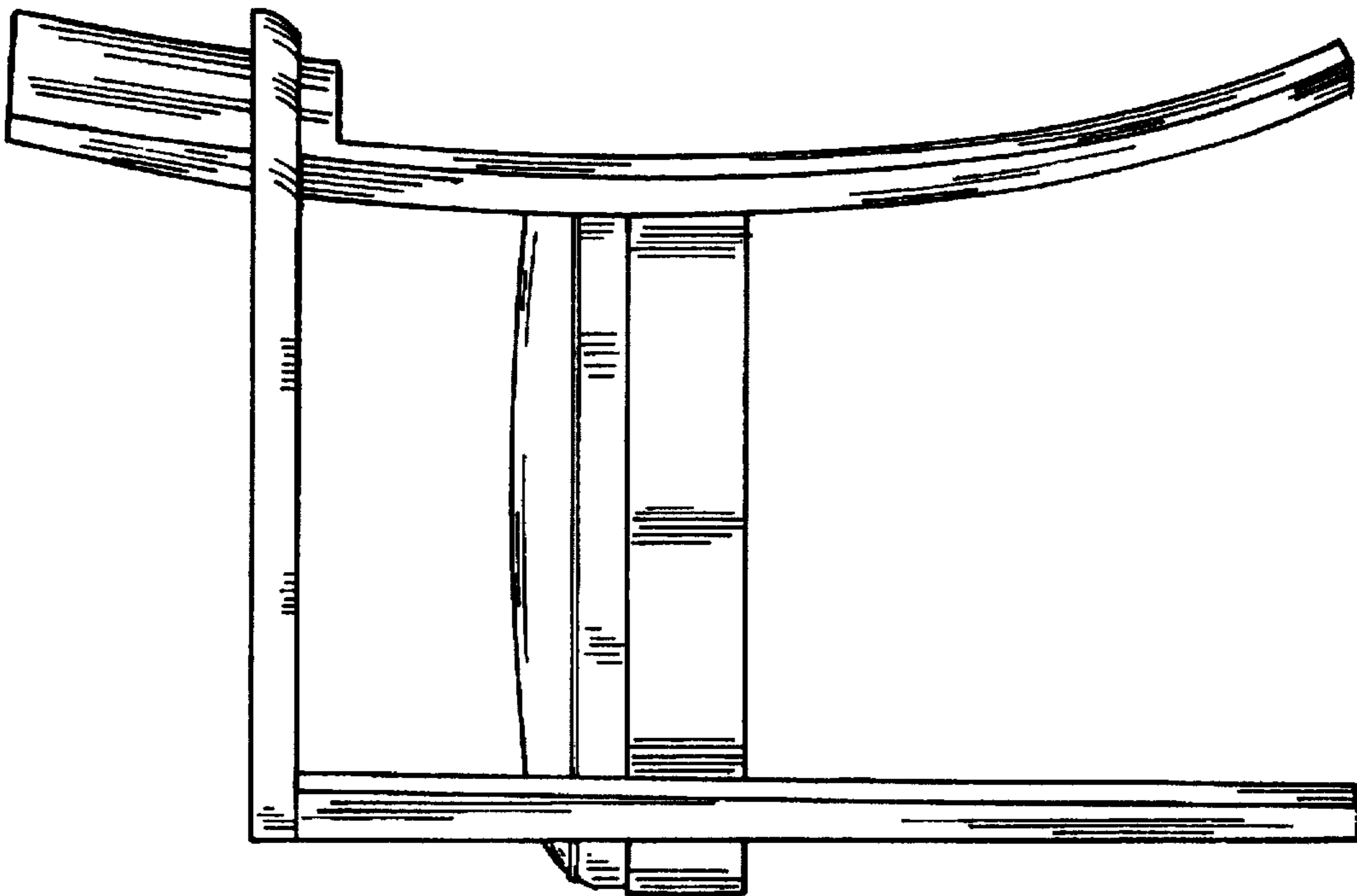


FIG. 3

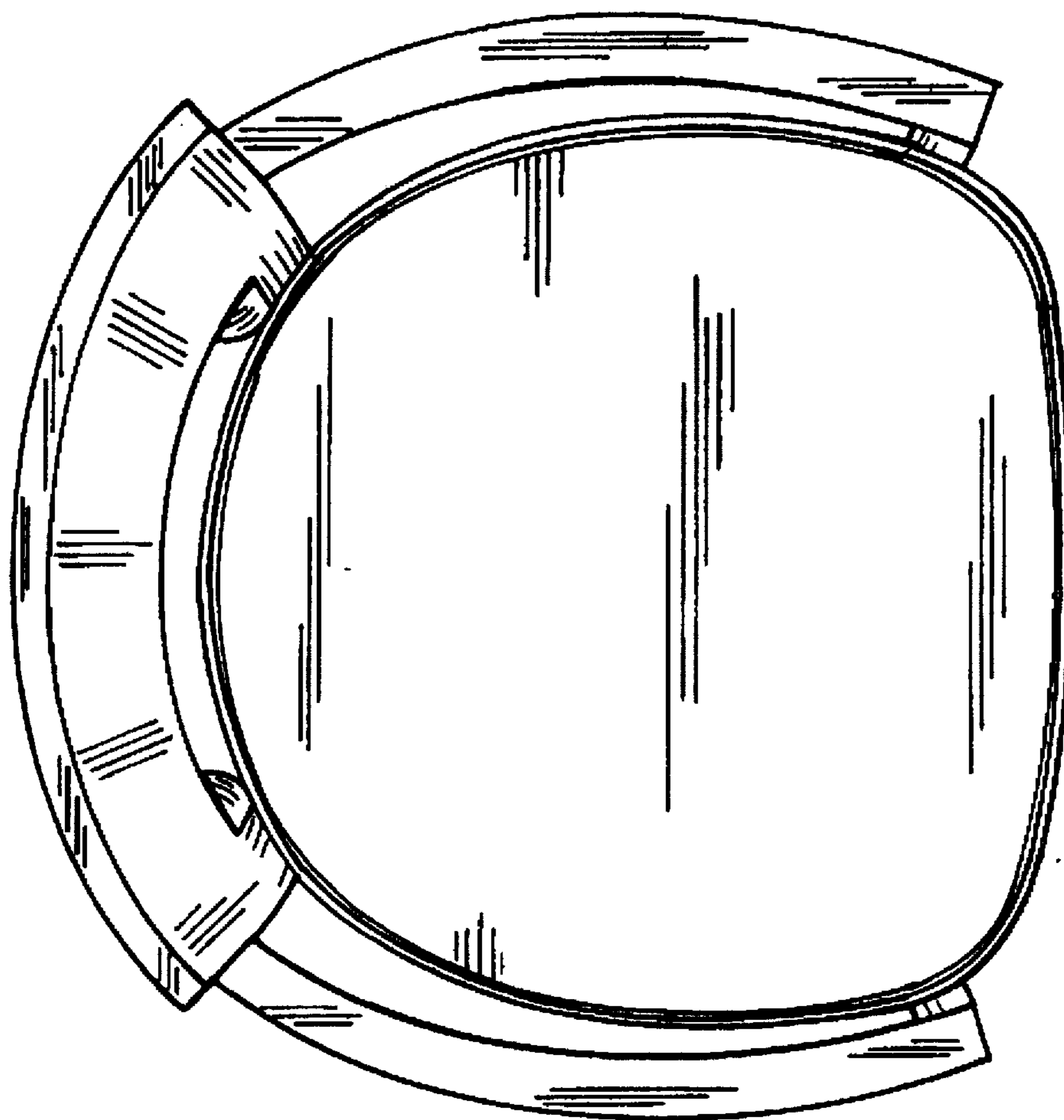


FIG. 5