



US00D385710S

United States Patent [19]

[11] Patent Number: **Des. 385,710**

Beck

[45] Date of Patent: ****Nov. 4, 1997**

[54] SEAT

[76] Inventor: **Christian Beck**, CP 1265 Rue
Lugardon 1, 1211 Geneva 1,
Switzerland

[**] Term: **14 Years**

[21] Appl. No.: **58,046**

[22] Filed: **Aug. 7, 1996**

[30] **Foreign Application Priority Data**

Feb. 7, 1996 [WO] WIPO DMA/003219

[51] LOC (6) Cl. **06-01**

[52] U.S. Cl. **D6/374; D6/334**

[58] Field of Search D6/334, 335, 363,
D6/367, 370, 374, 375, 500, 501, 502;
297/447.1, 448.1, 451.12, 452.12, 452.14

[56] **References Cited**

U.S. PATENT DOCUMENTS

D. 114,693 5/1939 Wood D6/370

D. 169,299 4/1953 Willemin D6/375
D. 237,764 11/1975 Prevost D6/334
D. 288,993 3/1987 Grimsrud D6/367 X
D. 314,284 2/1991 Cohen D6/374 X
2,597,105 5/1952 Julian D6/367 X

Primary Examiner—Gary D. Watson
Attorney, Agent, or Firm—Darby & Darby

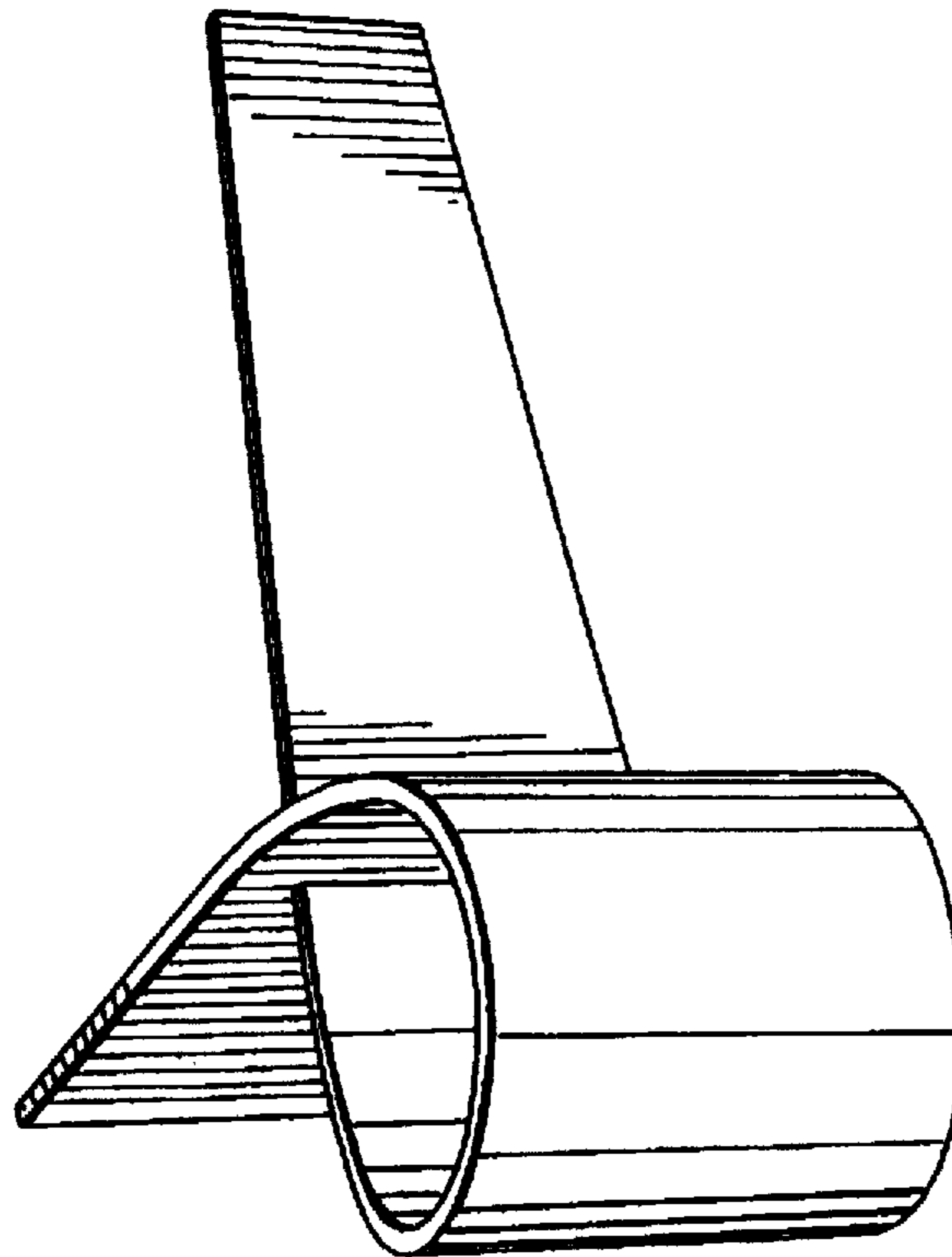
[57] **CLAIM**

The ornamental design for a seat, as shown and described.

DESCRIPTION

FIG. 1 is top plan view of the seat showing my new design;
FIG. 2 is a front view thereof;
FIG. 3 is a left side view thereof;
FIG. 4 is a bottom plan view thereof;
FIG. 5 is a rear view thereof;
FIG. 6 is a right side view thereof;
FIG. 7 is a front perspective view thereof; and,
FIG. 8 is a rear perspective view of the seat of FIG. 7 turned
over in an alternate position.

1 Claim, 3 Drawing Sheets



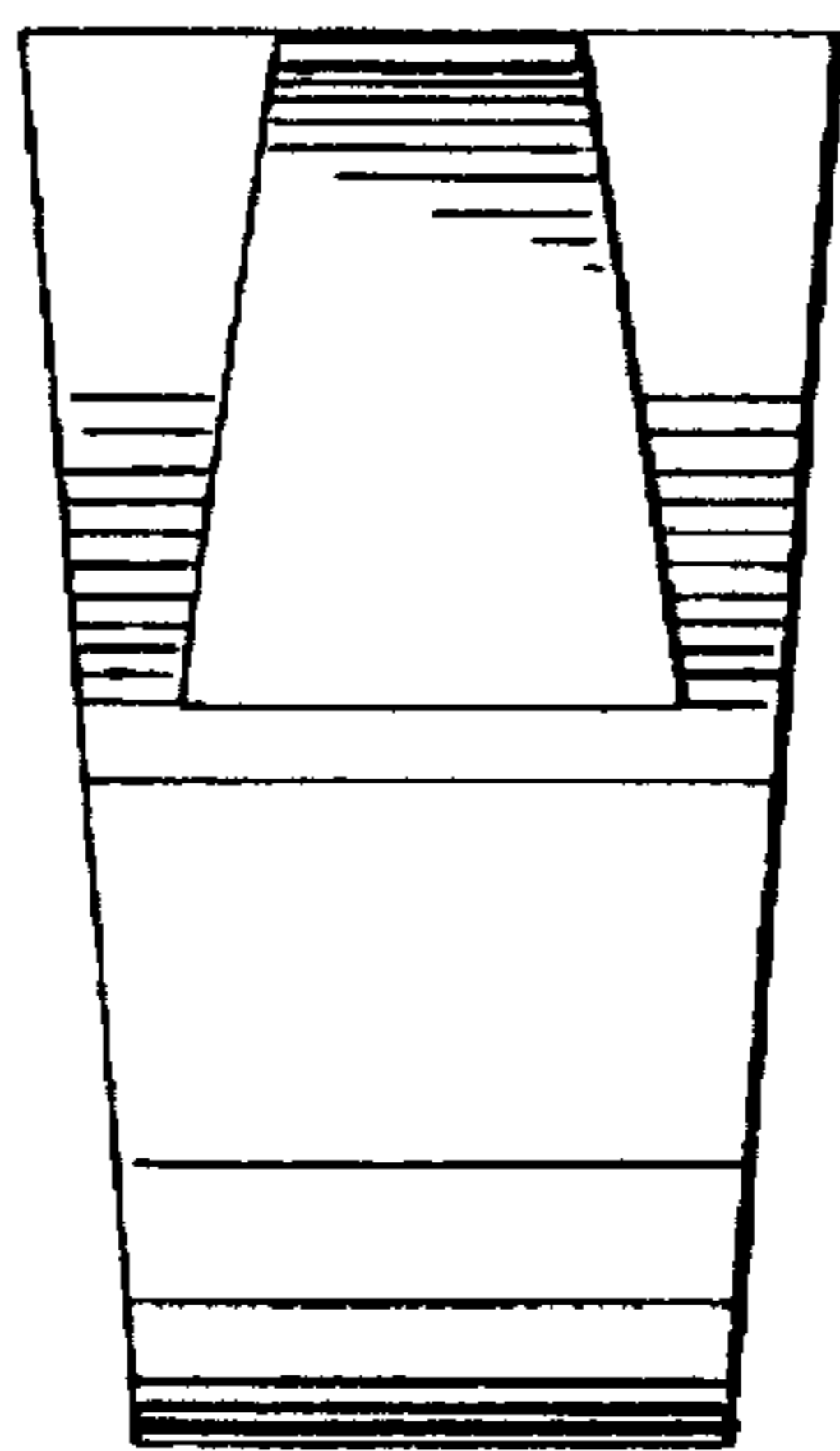


FIG. 1

FIG. 2

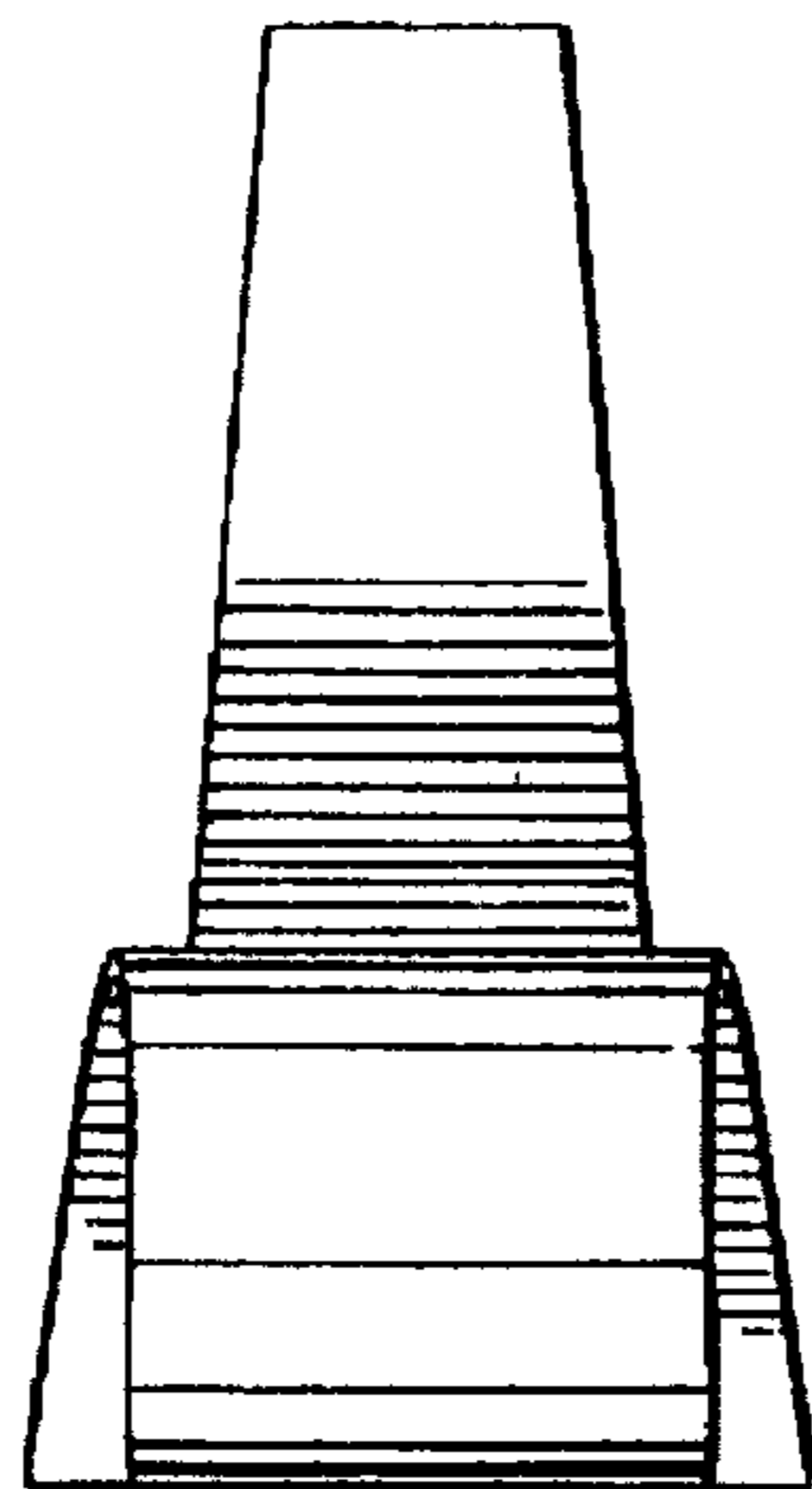
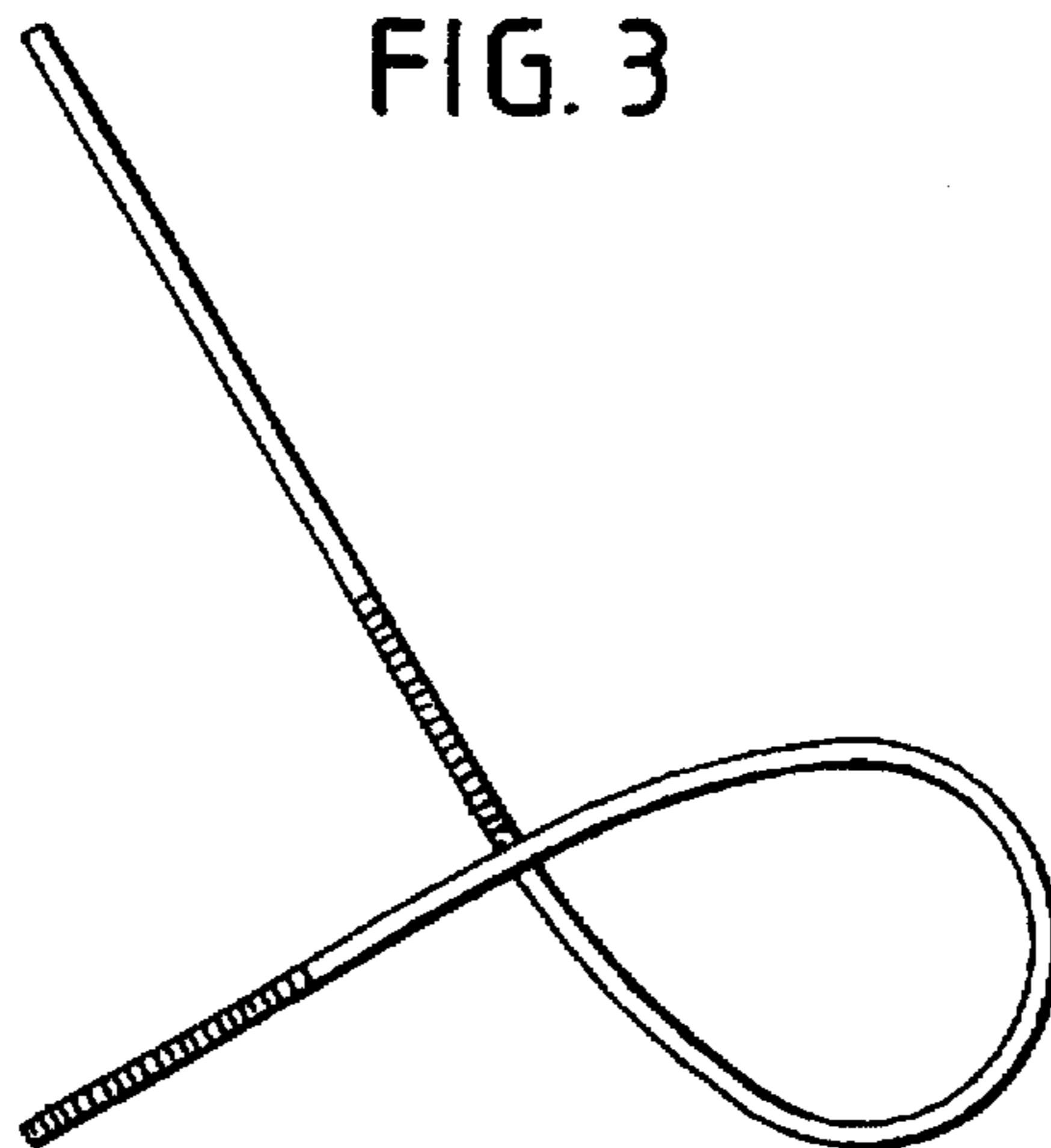


FIG. 3



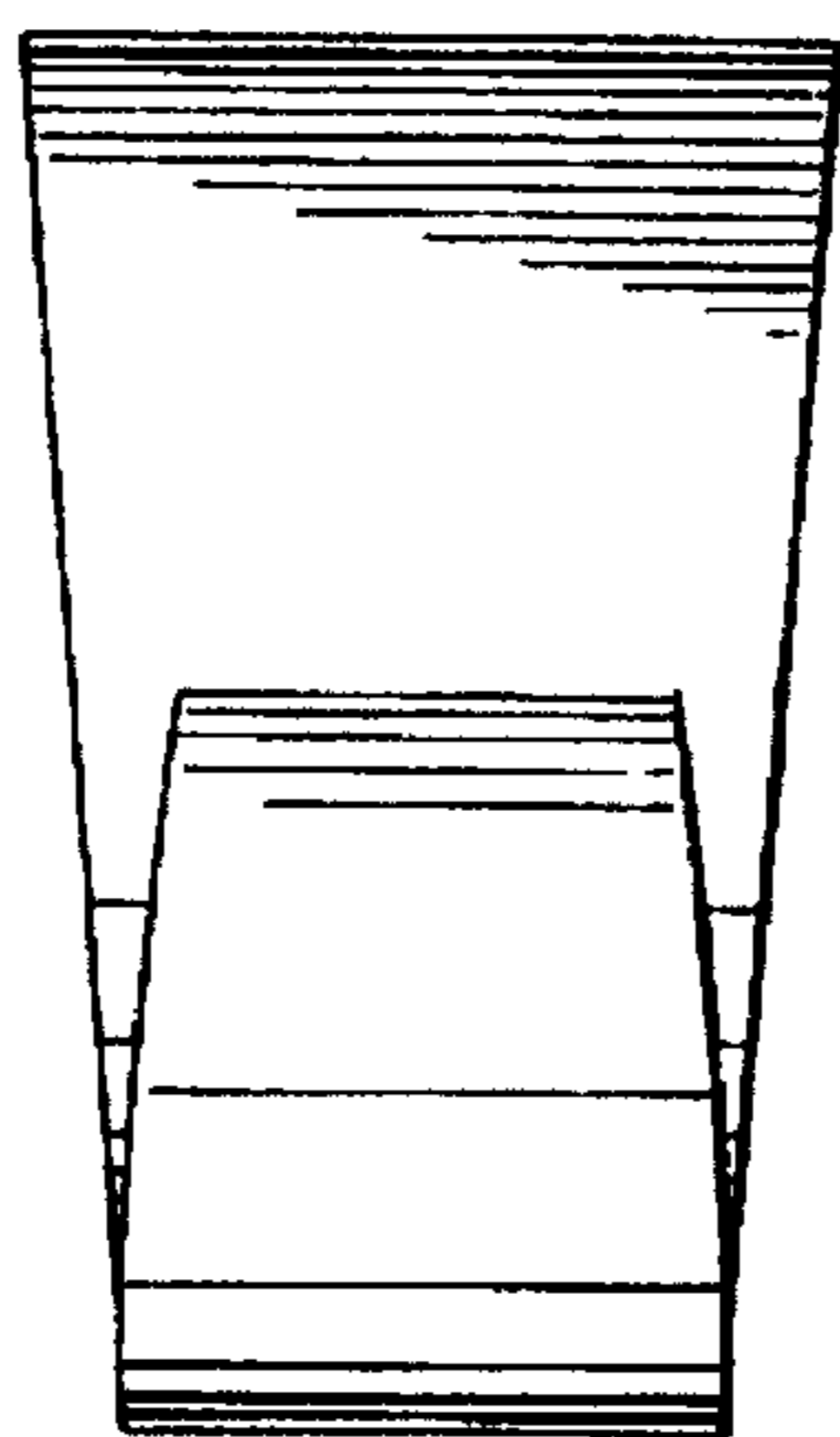


FIG. 4

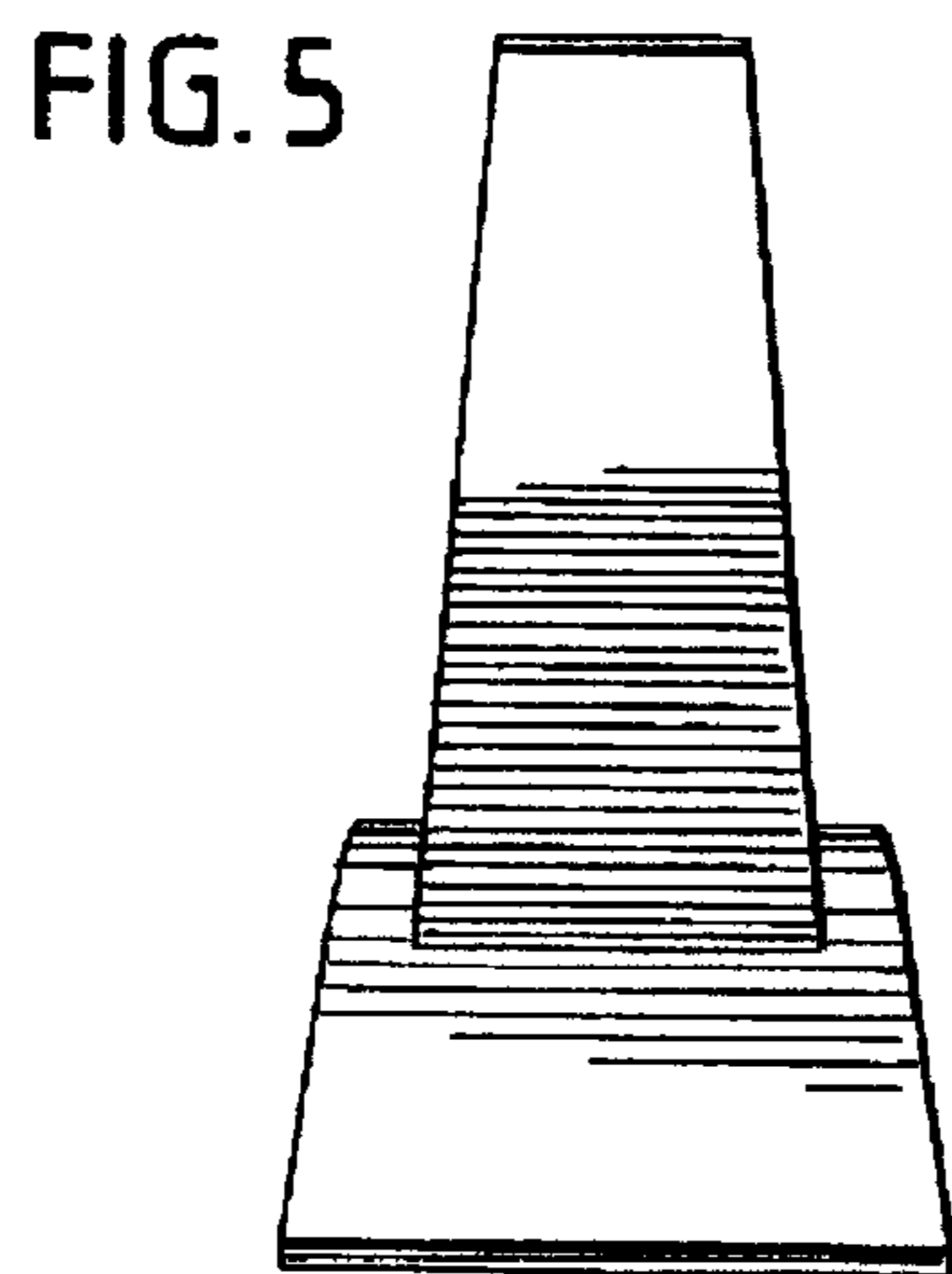


FIG. 5

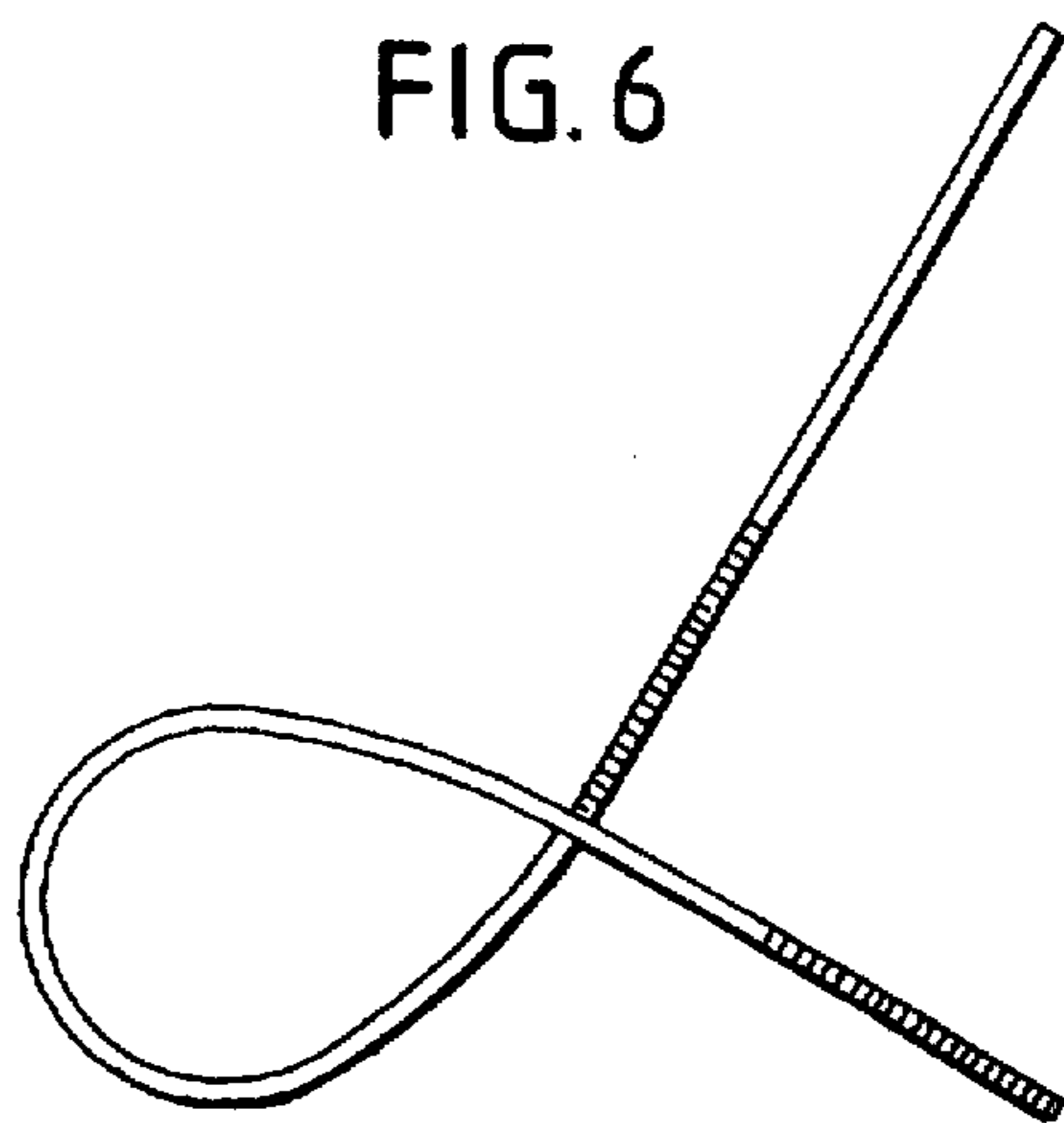


FIG. 6

