



US00D385705S

United States Patent [19]

Seifert

[11] Patent Number: **Des. 385,705**

[45] Date of Patent: ****Nov. 4, 1997**

[54] COVER FOR A CURLING BRUSH

[75] Inventor: **Cornelia Seifert**, Bad Soden, Germany

[73] Assignee: **Braun Aktiengesellschaft**, Kronberg, Germany

[**] Term: **14 Years**

[21] Appl. No.: **46,680**

[22] Filed: **Oct. 23, 1995**

[51] LOC (6) CL **04-99**

[52] U.S. CL **D4/199; D28/38**

[58] Field of Search **D4/116, 121, 199; D28/35, 99, 38; 15/184, 247; 206/361, 362.2, 362.3; 132/333**

[56] References Cited

U.S. PATENT DOCUMENTS

D. 261,317	10/1981	Oberheim et al.	D28/35
D. 261,318	10/1981	Oberheim et al.	D28/35
D. 261,319	10/1981	Oberheim et al.	D28/35
D. 269,298	6/1983	Oberheim	D28/35
D. 269,299	6/1983	Oberheim	D28/35
D. 294,526	3/1988	Oberheim	D28/35
D. 299,764	2/1989	Oberheim	D28/35
D. 313,871	1/1991	Oberheim	D28/35
4,803,341	2/1989	Barowski et al.	219/222
4,835,813	6/1989	Lorenzana et al.	15/184
4,851,641	7/1989	Barowski et al.	219/225
4,906,181	3/1990	Ebner et al.	431/344

FOREIGN PATENT DOCUMENTS

DM/029 244 6/1994 WIPO 28/3

OTHER PUBLICATIONS

Braun Products: 1990/91 Catalog p. 19, Hair Stylers and Covers Therefor.

Braun Products: 1993/94 Catalog pp. 14 & 15, Hair Stylers and Covers Therefor.

Primary Examiner—Joel Sincavage

Assistant Examiner—Lavone D. Tabor

Attorney, Agent, or Firm—Edward S. Podszus

[57] CLAIM

The ornamental design for a cover for a curling brush, as shown and described.

DESCRIPTION

FIG. 1 is a perspective view of the cover for a curling brush showing my new design as seen from the top, rear and left side;

FIG. 2 is a left side elevational view thereof, the opposite right side being a mirror image of the side shown;

FIG. 3 is a front elevational view thereof;

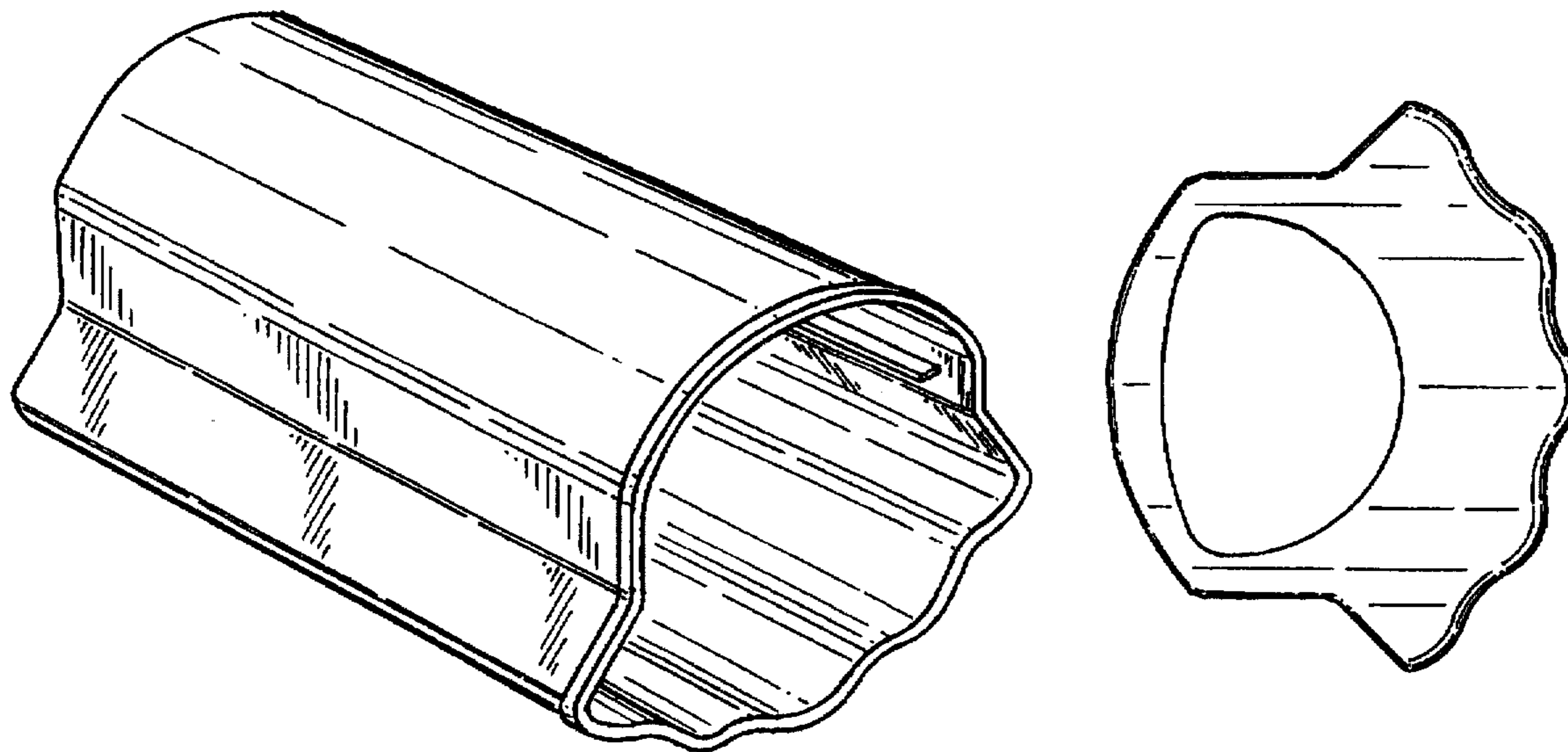
FIG. 4 is a rear elevational view thereof;

FIG. 5 is a top elevational view thereof;

FIG. 6 is a bottom elevational view thereof; and,

FIG. 7 is a reduced perspective view thereof, shown exploded from a curling brush which is shown in broken lines for illustrative purposes only and forms no part of the claimed design.

1 Claim, 3 Drawing Sheets



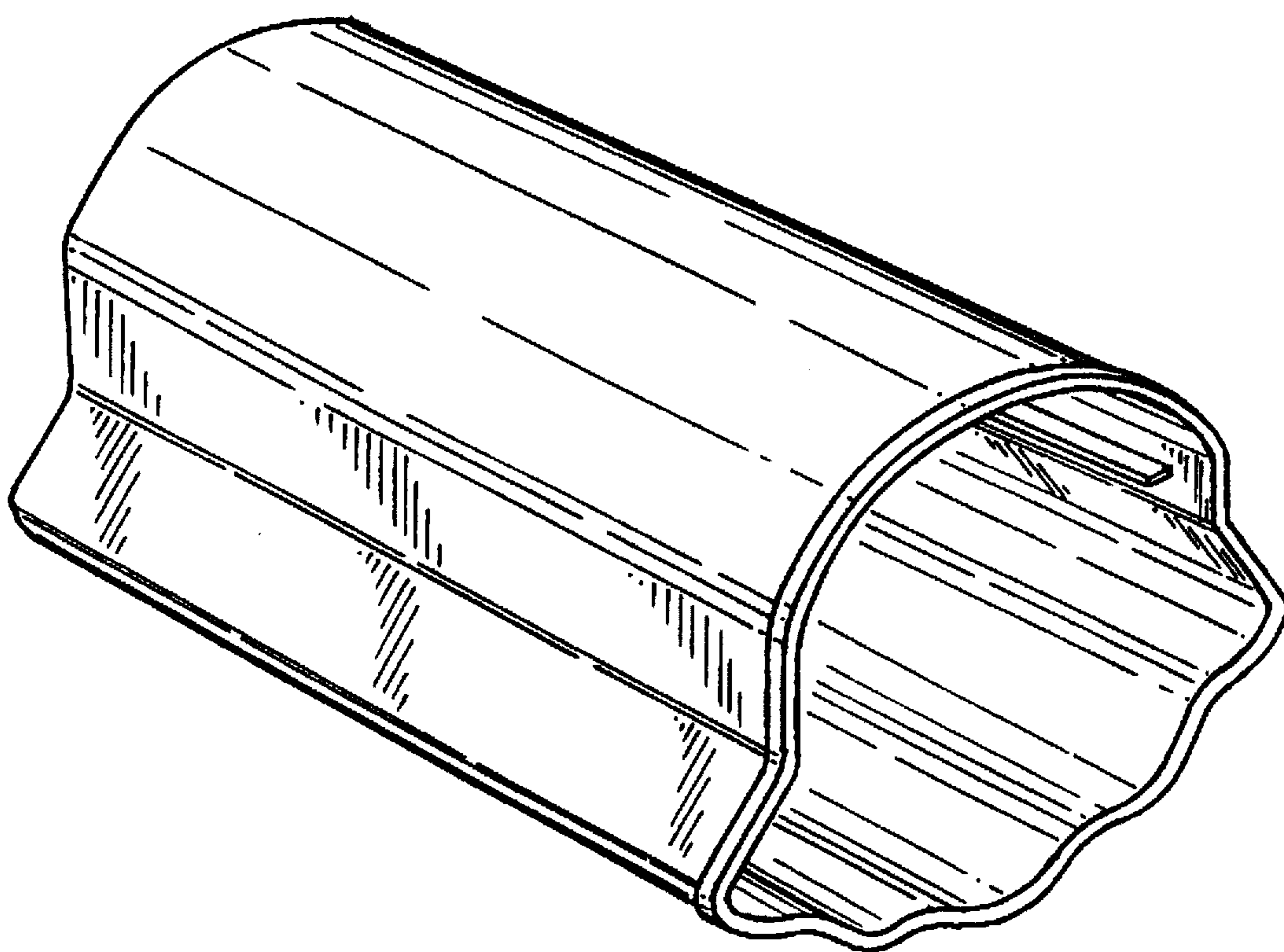


FIG. 1

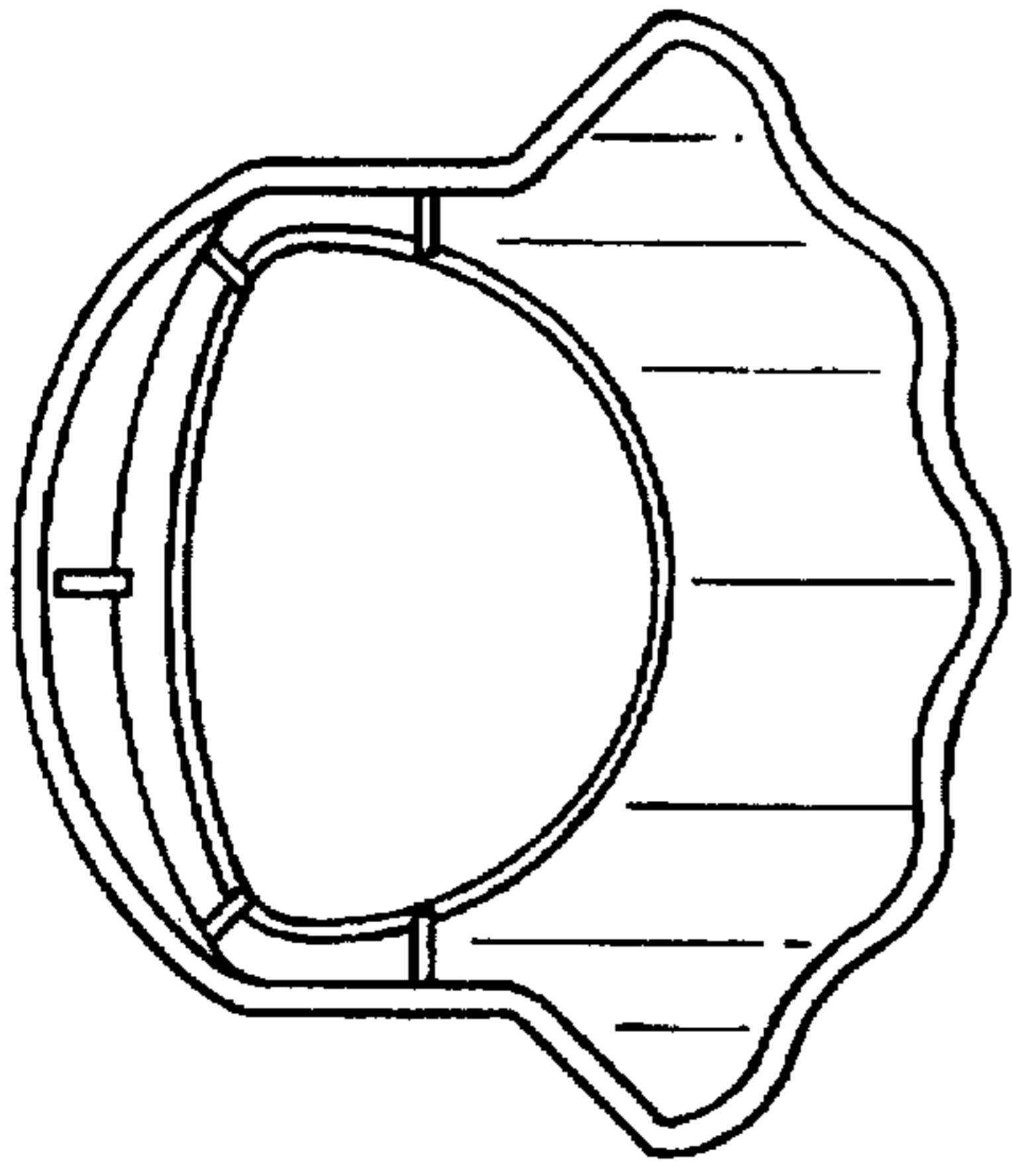


FIG. 4

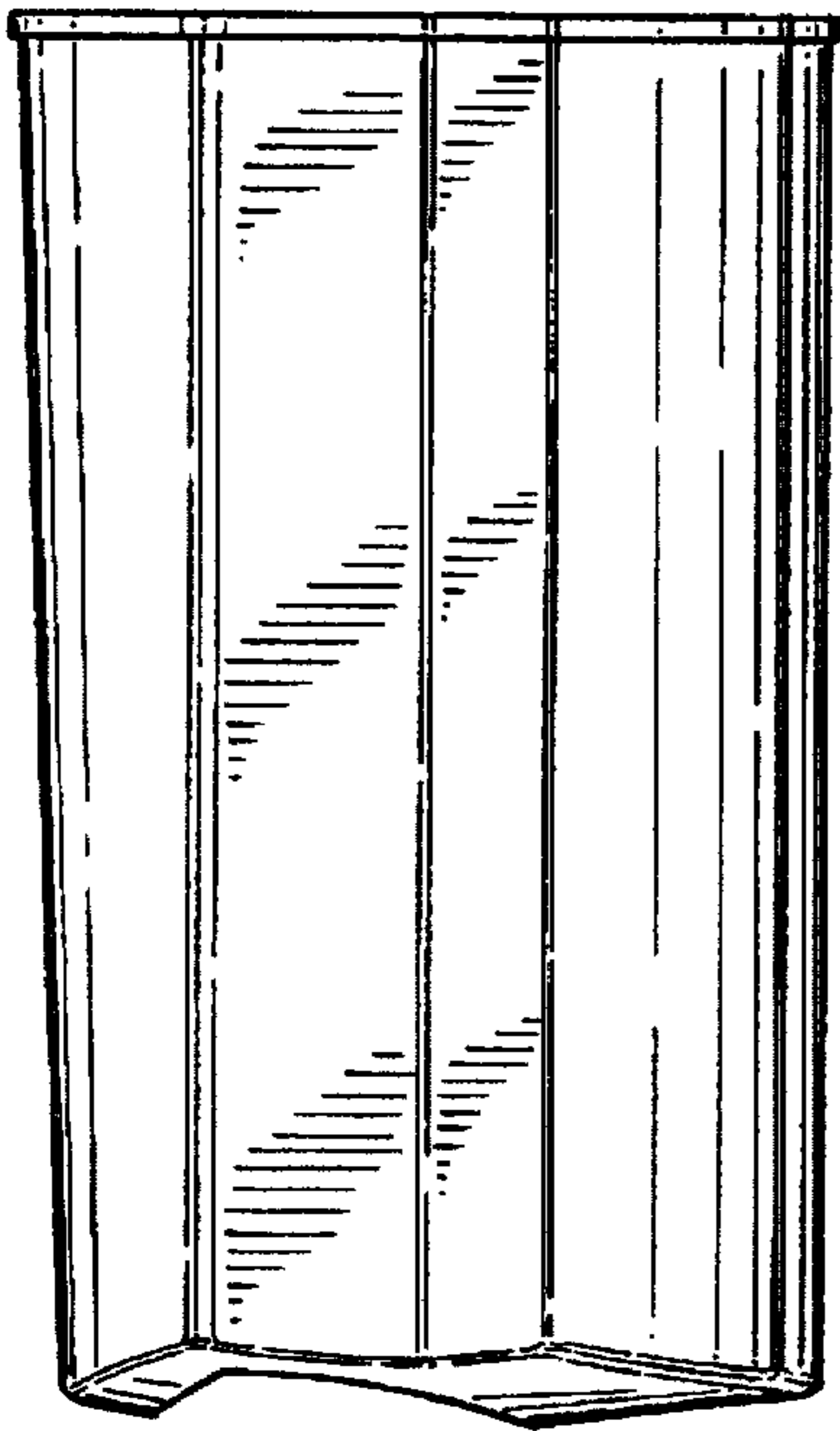


FIG. 2

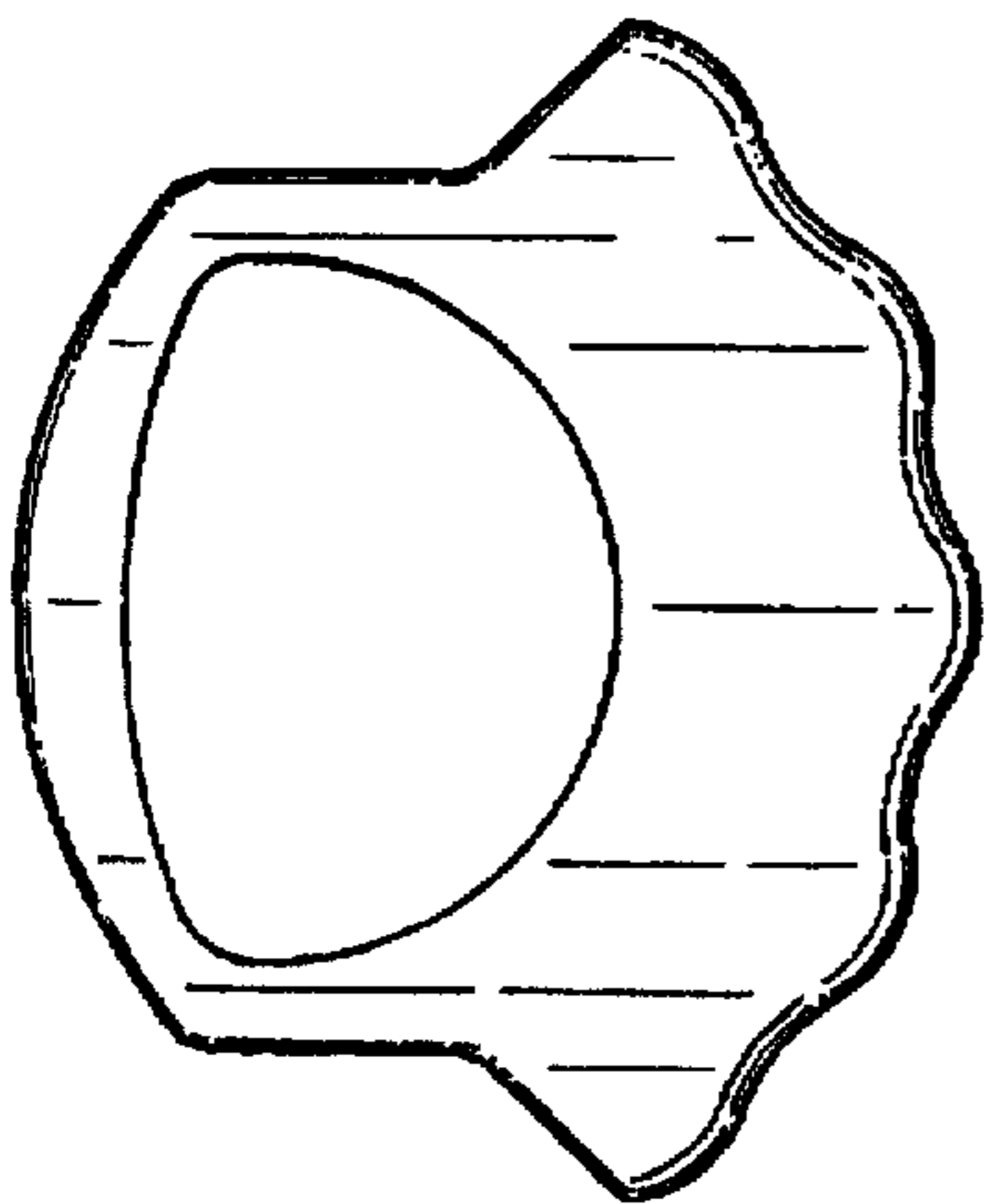


FIG. 3

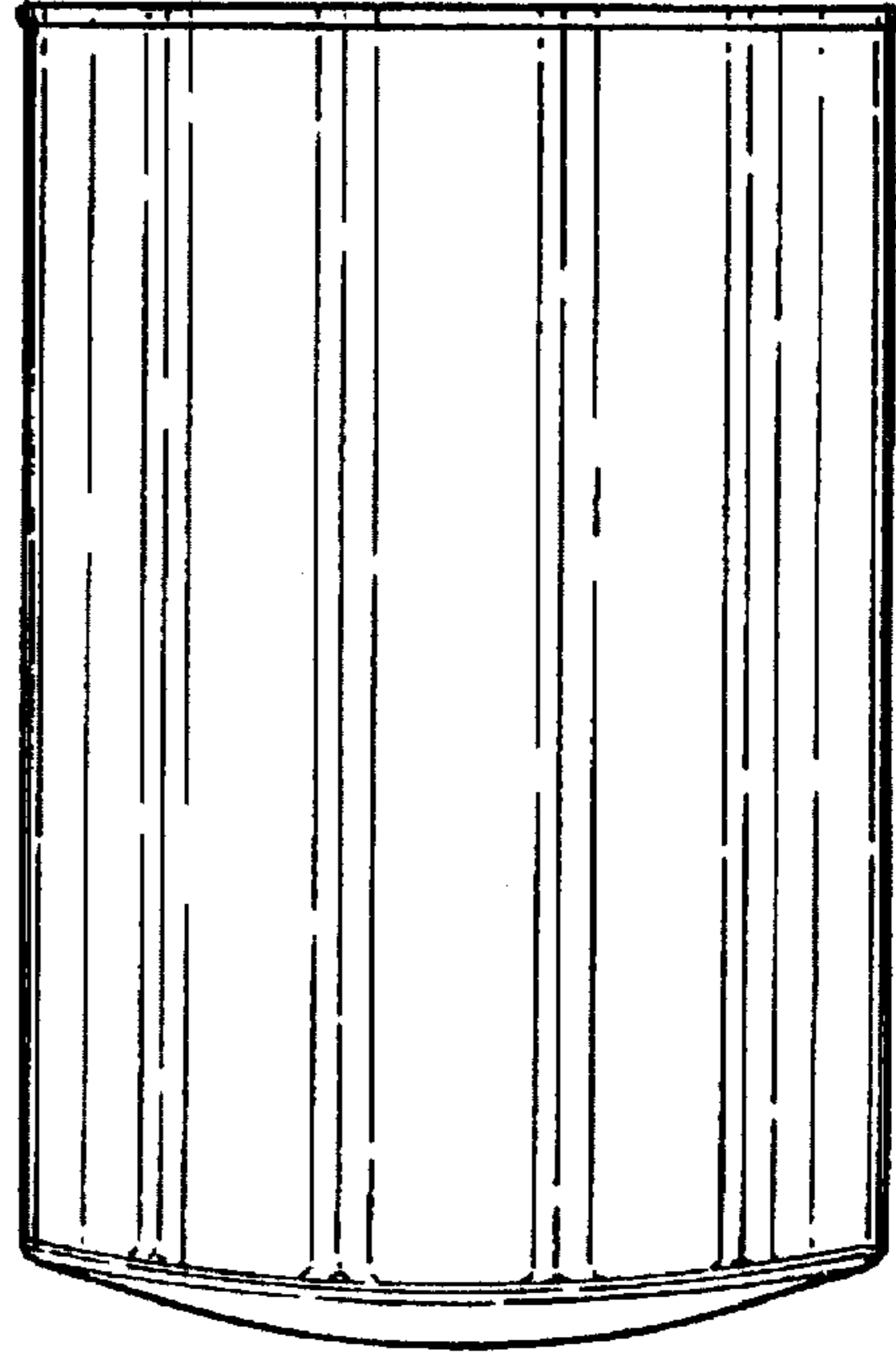


FIG. 6

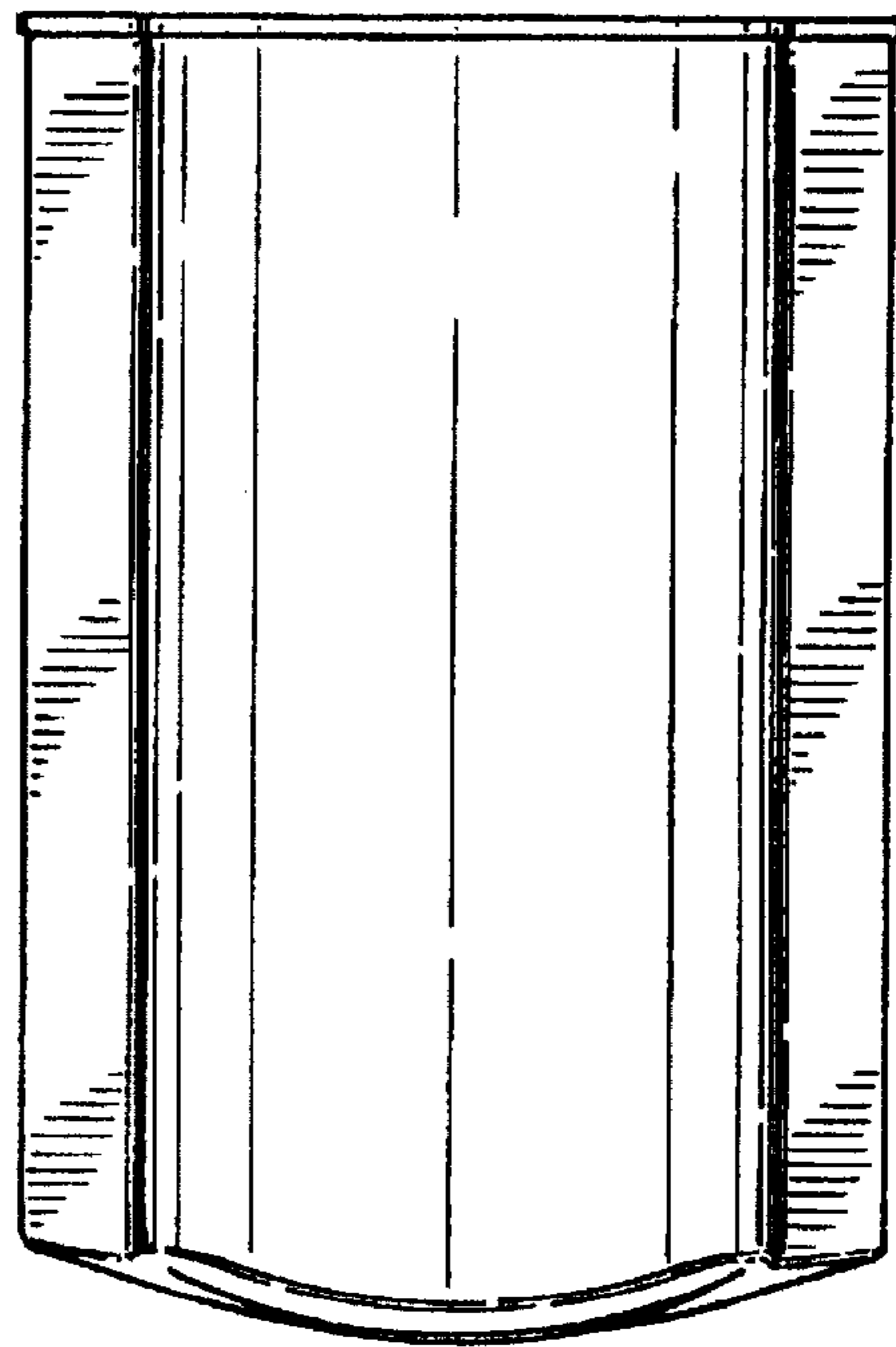


FIG. 5

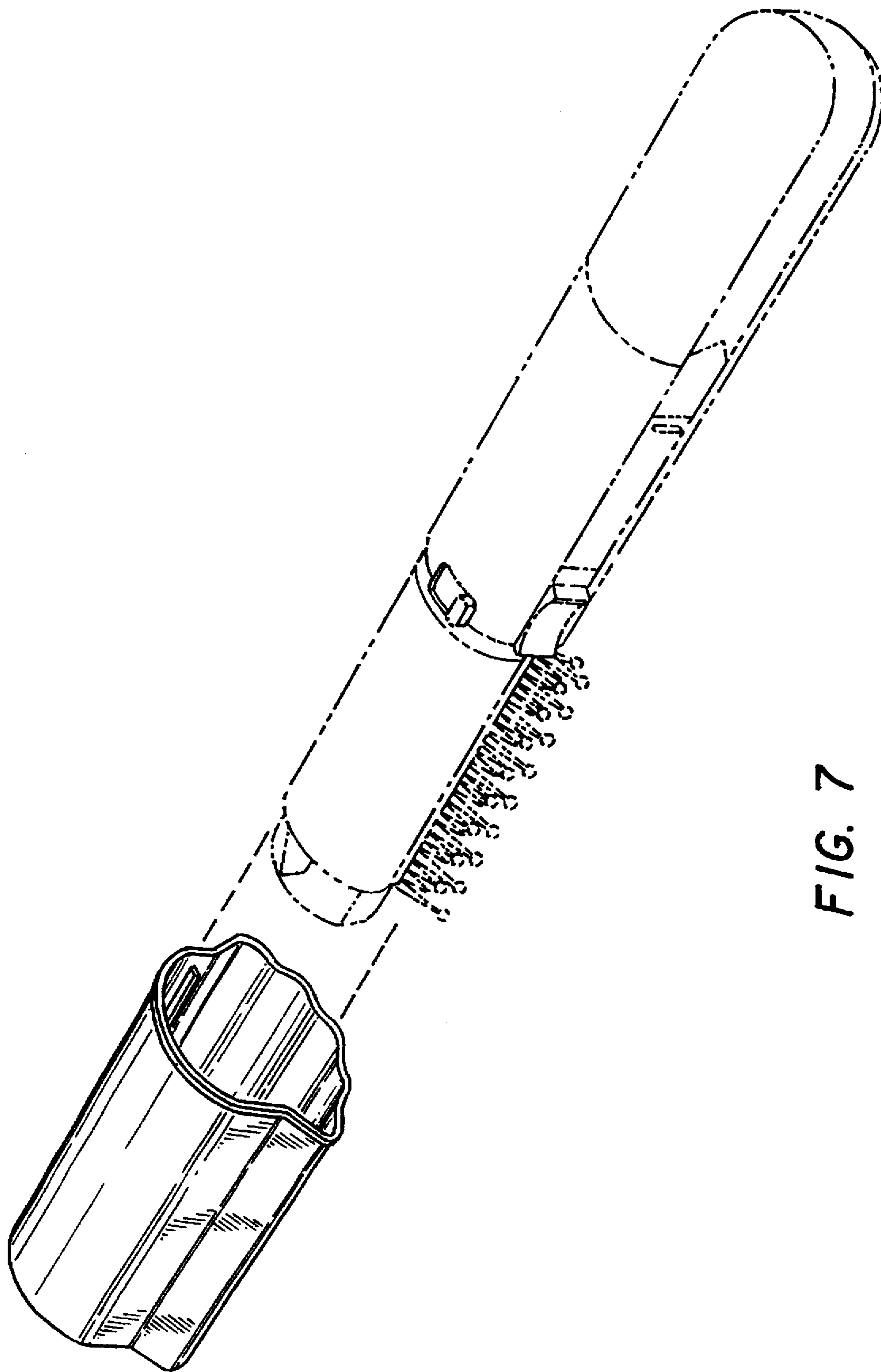


FIG. 7