



US00D385694S

United States Patent [19]
Magnussen

[11] **Patent Number:** **Des. 385,694**
[45] **Date of Patent:** ****Nov. 4, 1997**

[54] **FINGERNAIL POLISH DISPLAY POUCH**

[76] **Inventor:** **Michelle J. Magnussen**, 3786 Ronald Ct., Fremont, Calif. 94538

[**] **Term:** **14 Years**

[21] **Appl. No.:** **55,615**

[22] **Filed:** **Jun. 10, 1996**

[51] **LOC (6) Cl.** **03-01**

[52] **U.S. Cl.** **D3/205; D3/201; D3/303; D9/305**

[58] **Field of Search** **D3/201, 206, 232, D3/233, 243, 247, 303, 900; D9/305, 432; 150/118, 131; 190/16; 383/18, 39, 117; 206/37, 37 R, 38, 235, 581**

[56] **References Cited**

U.S. PATENT DOCUMENTS

D. 140,519	3/1945	Pascal	383/39	X
962,595	6/1910	Smith	383/39	X
1,722,507	7/1929	Stanley	206/581	X
2,744,621	5/1956	Kegevic	190/16	X
4,901,899	2/1990	Barrett	383/39	X
5,020,673	6/1991	Adams	D3/233	X

FOREIGN PATENT DOCUMENTS

1517592 9/1978 United Kingdom 206/581

Primary Examiner—Louis S. Zarfaz
Assistant Examiner—Monica A. Weingart
Attorney, Agent, or Firm—Linval B. Castle

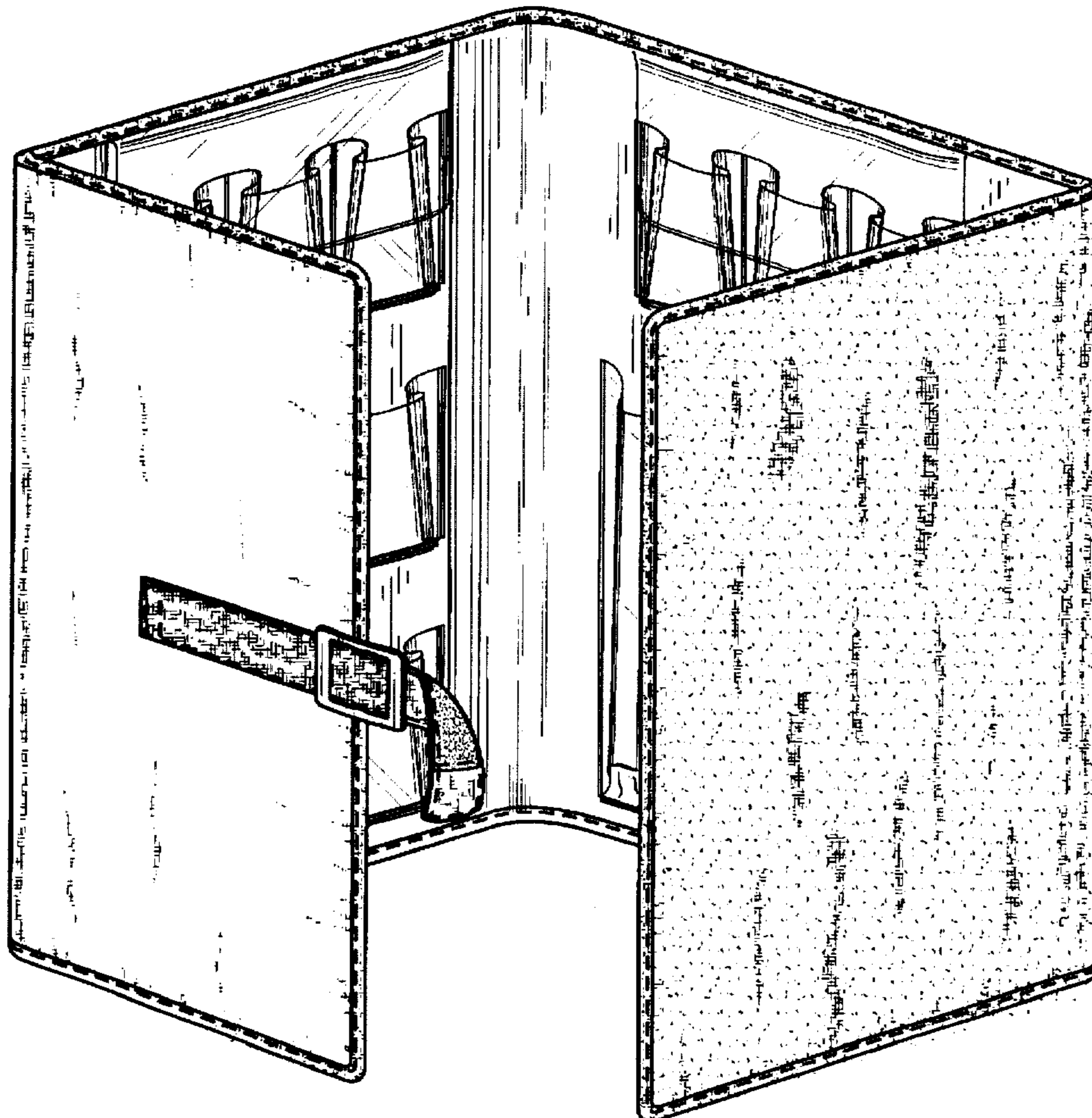
[57] **CLAIM**

The ornamental design for a fingernail polish display pouch, as shown and described.

DESCRIPTION

FIG. 1A and 1B are interior elevational views of the left and the right side, respectively, of a fingernail polish display pouch, showing my new design;
FIG. 2A and 2B are top plan views of the left and the right side thereof, respectively;
FIG. 3A and 3B are exterior elevational views of the left and right side thereof;
FIG. 4A and 4B are bottom views of the left and right side thereof, respectively; and is a rear elevational view thereof; and,
FIG. 5 is a perspective view of a partially opened fingernail polish display pouch.

1 Claim, 5 Drawing Sheets



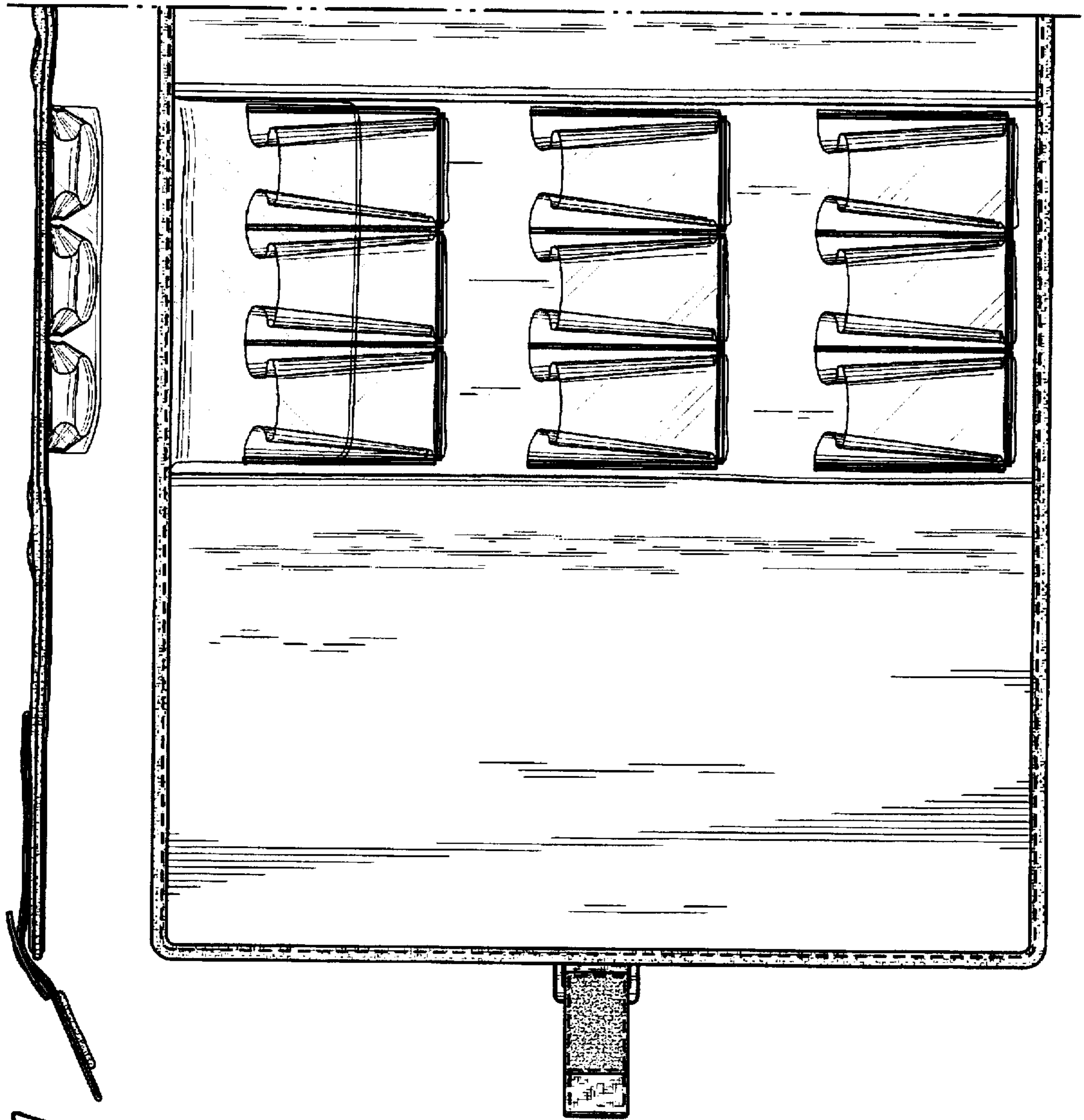


Fig. 2A

Fig. 1A

Fig. 2B

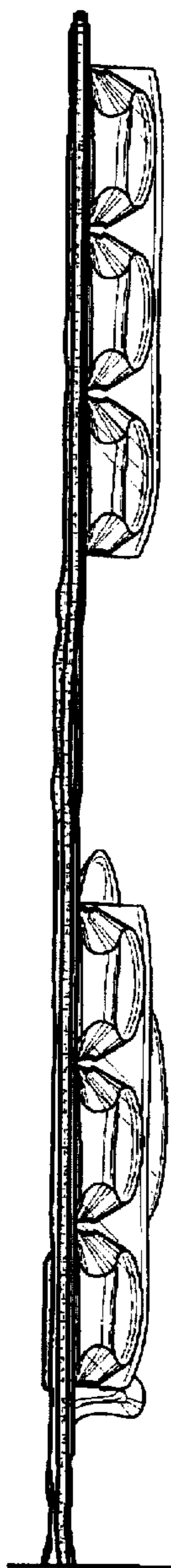
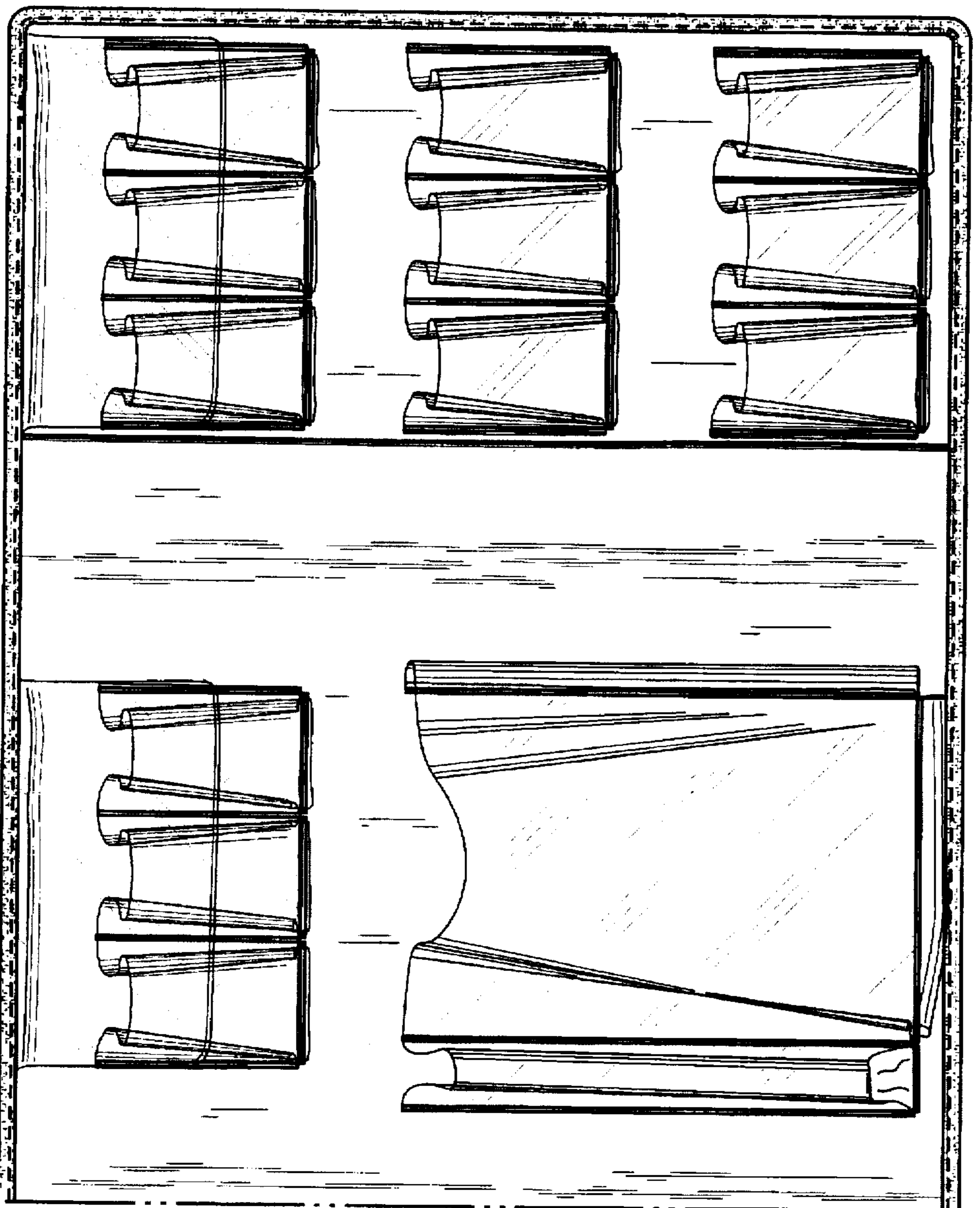


Fig. 1B



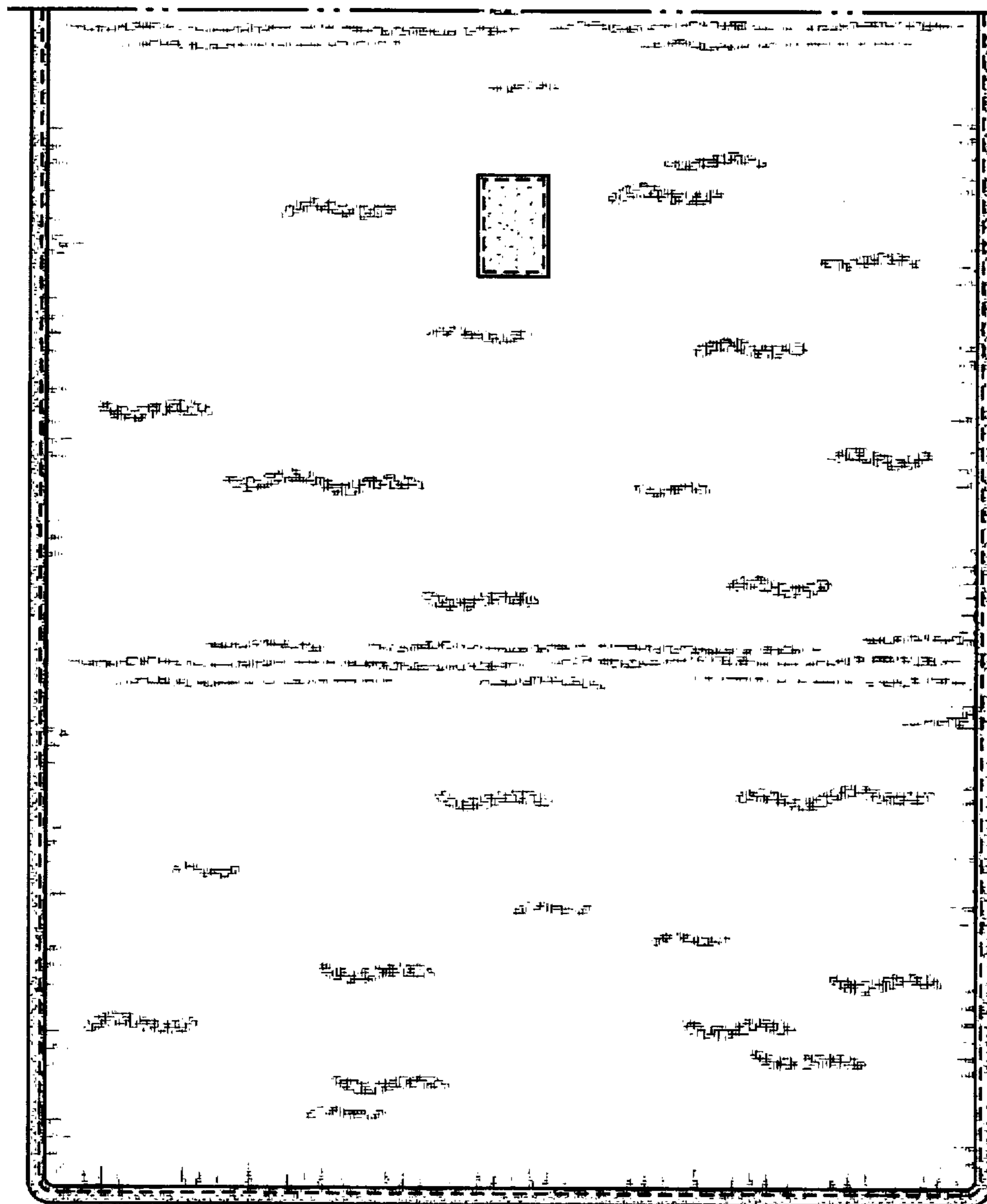


Fig. 3A

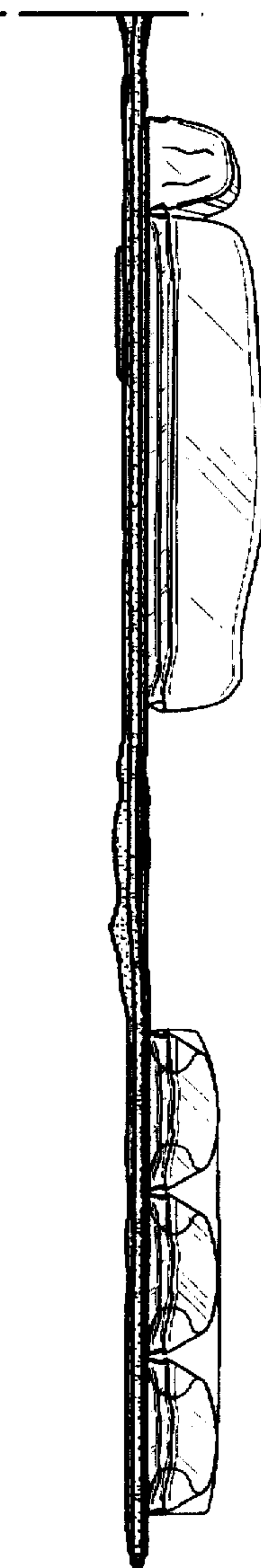


Fig. 4A

Fig. 3B

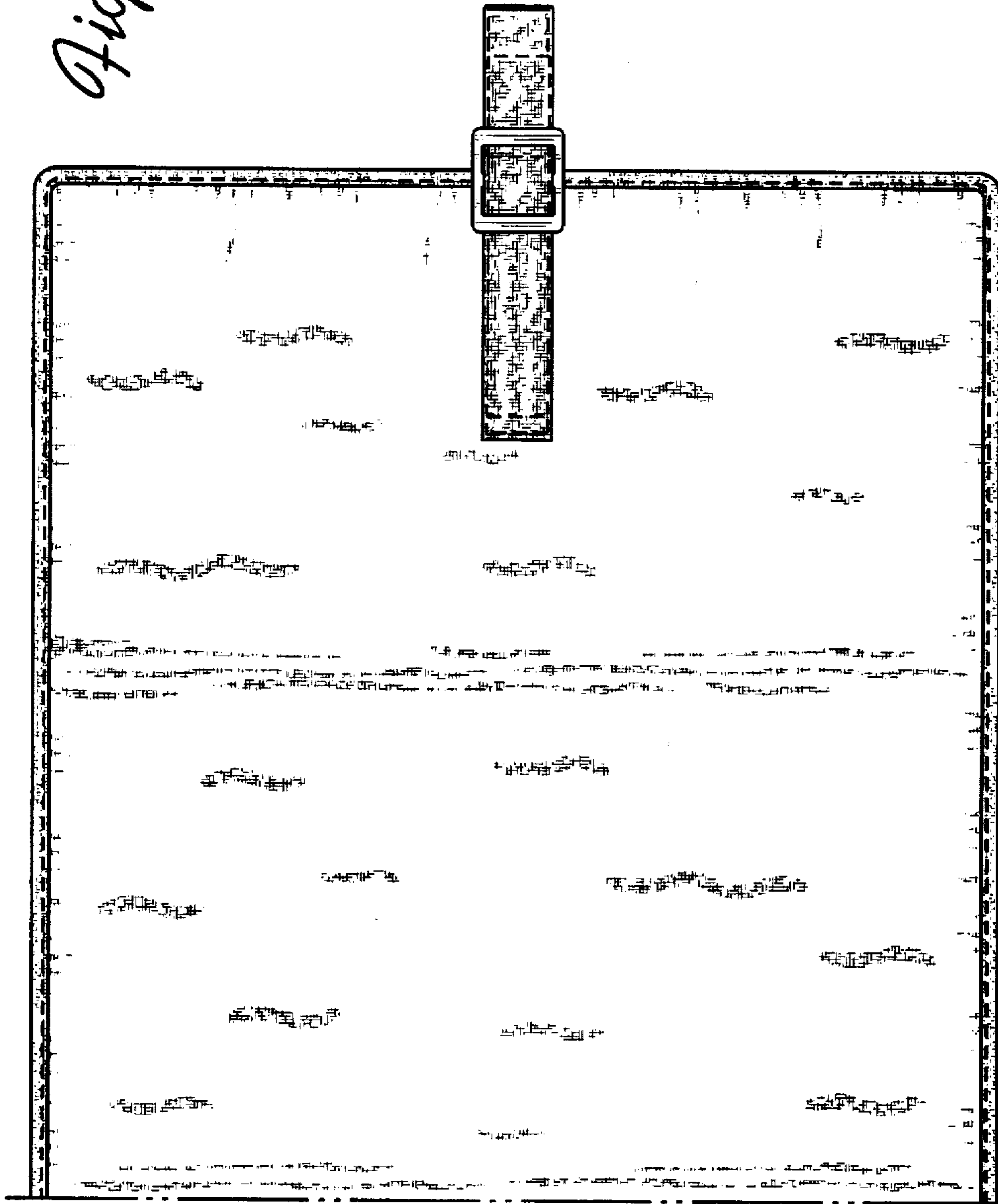
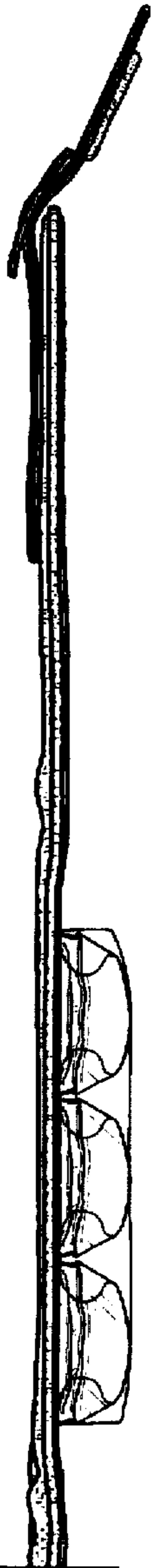


Fig. 4B



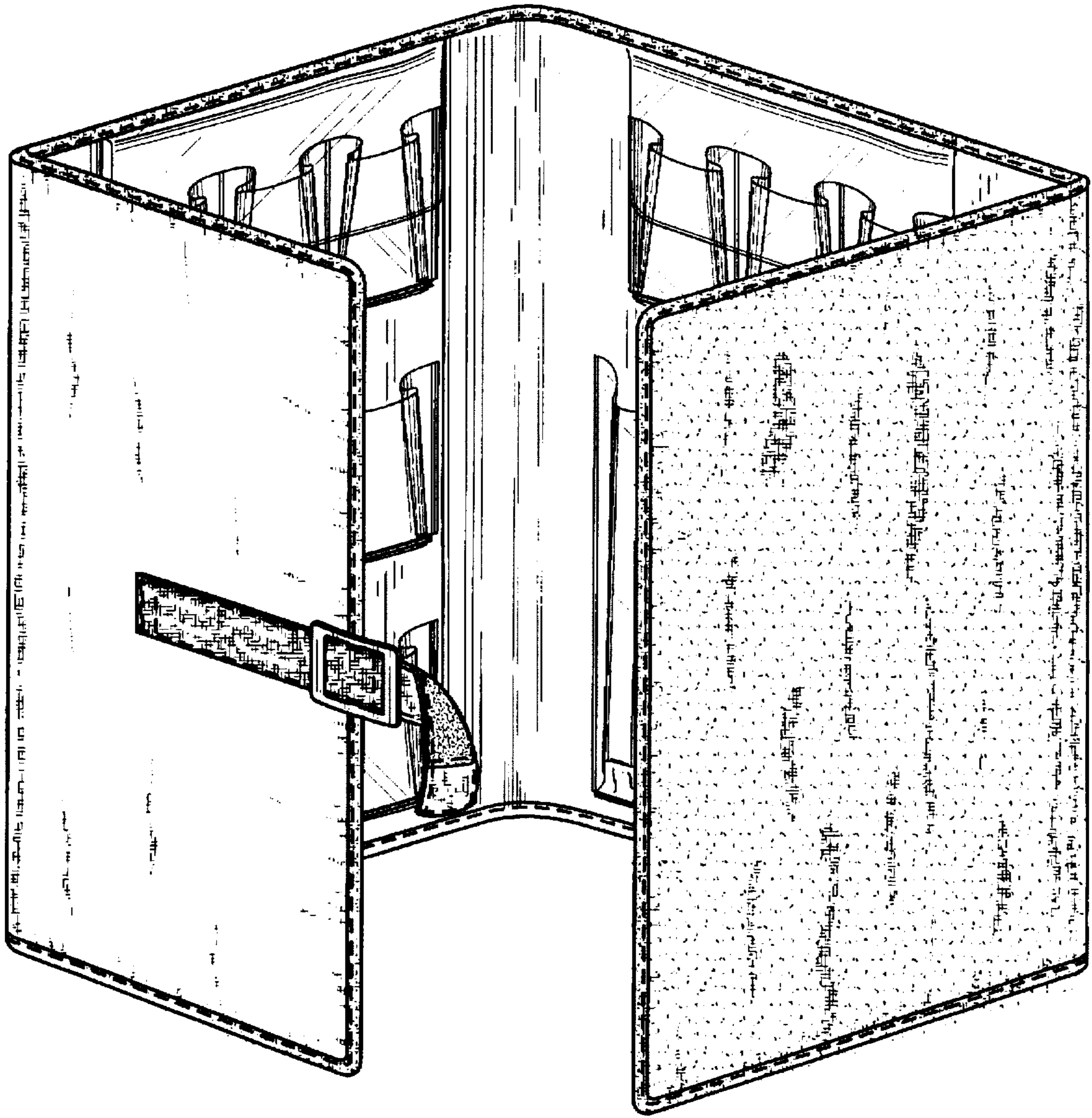


Fig. 5