

US00D385691S

United States Patent [19] Egelja

[11] Patent Number: **Des. 385,691**
[45] Date of Patent: ****Nov. 4, 1997**

[54] **BAND DESIGN FOR FOOTWEAR**
[75] Inventor: **Sinisa Egelja**, State College, Pa.
[73] Assignee: **Items International, Inc.**, Altoona, Pa.
[**] Term: **14 Years**

D. 326,762 6/1992 Kiyosawa D2/977
1,744,003 1/1930 Gallagher 36/72 R
1,870,751 8/1932 Reach 36/59 R X
5,367,792 11/1994 Richard et al. 36/114
5,542,198 8/1996 Famolare 36/114 X

Primary Examiner—Louis S. Zarfes
Attorney, Agent, or Firm—Reed Smith Shaw & McClay

[21] Appl. No.: **57,739**
[22] Filed: **Jun. 27, 1996**

[57] CLAIM

The ornamental design for a band design for footwear, as shown and described.

[51] LOC (6) Cl. **02-04**
[52] U.S. Cl. **D2/953; D2/947; D2/951; D2/946**
[58] Field of Search D2/946, 947, 948, D2/949, 950, 951, 952, 953, 954, 955, 956, 960, 977; 36/7.3, 14, 17 R, 59 C, 59 R, 72 R, 73, 92, 112, 114; 2/239

DESCRIPTION

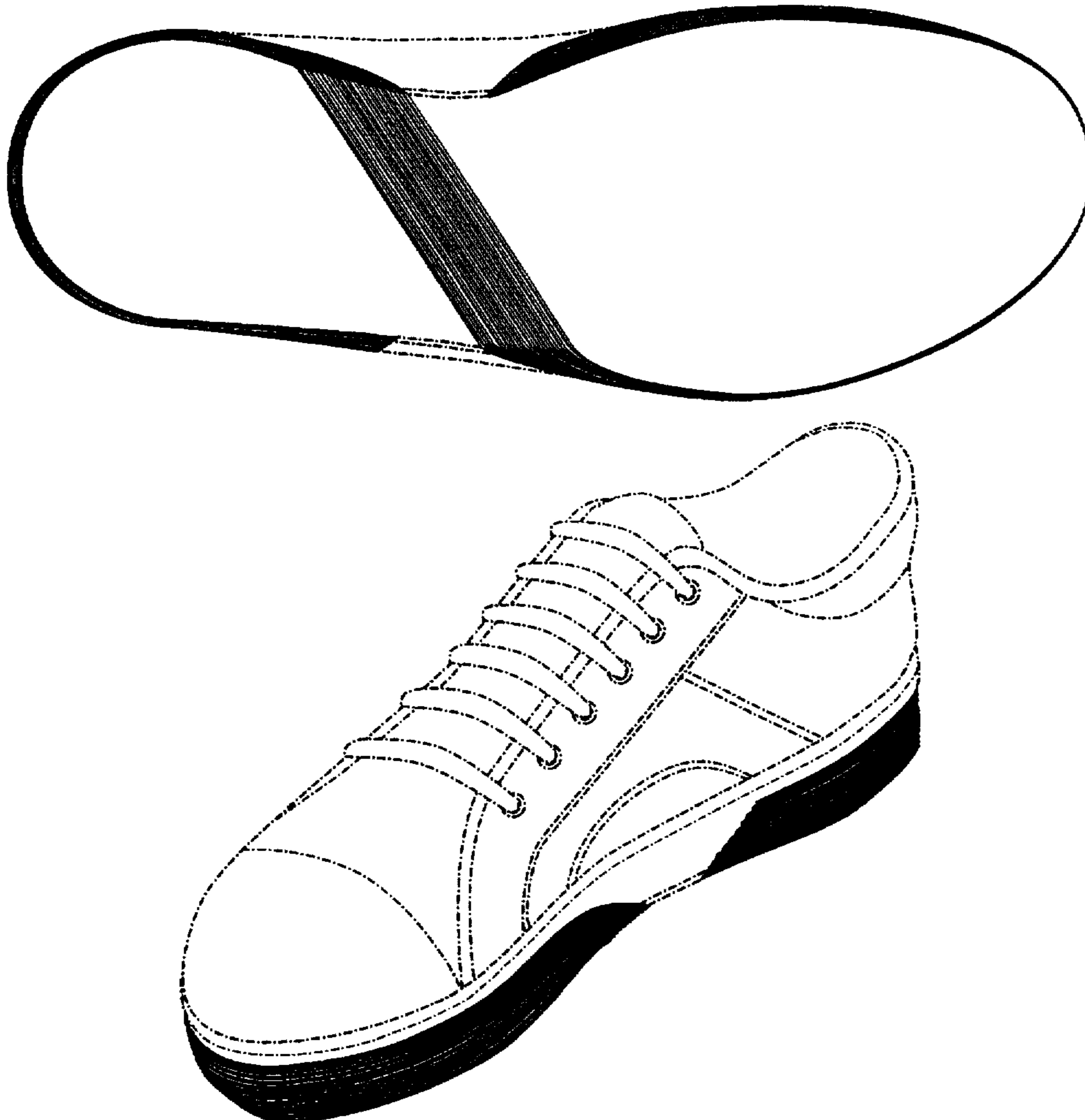
FIG. 1 is a right side view of a band design for footwear according to the present invention;
FIG. 2 is a left side view thereof;
FIG. 3 is a front view thereof;
FIG. 4 is a rear view thereof;
FIG. 5 is a bottom view thereof; and,
FIG. 6 is a perspective view thereof.
The broken line showing of the footwear upper is for illustrative purposes only and forms no part of the claimed design.

[56] References Cited

U.S. PATENT DOCUMENTS

Re. 15,794 3/1924 Cary 36/14
116,758 7/1871 Richardson et al. 36/73 X
D. 186,267 10/1959 Zerkowitz 36/59 C X
D. 296,152 6/1988 Selbiger D2/954

1 Claim, 5 Drawing Sheets



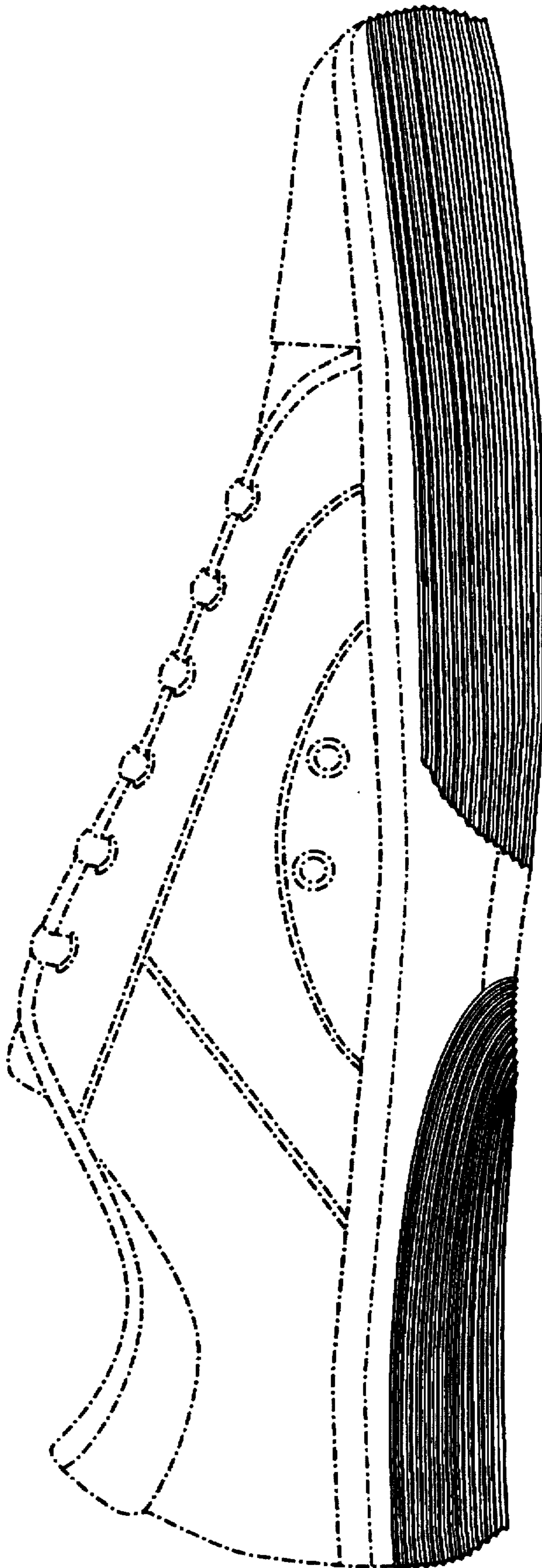


FIG. 1

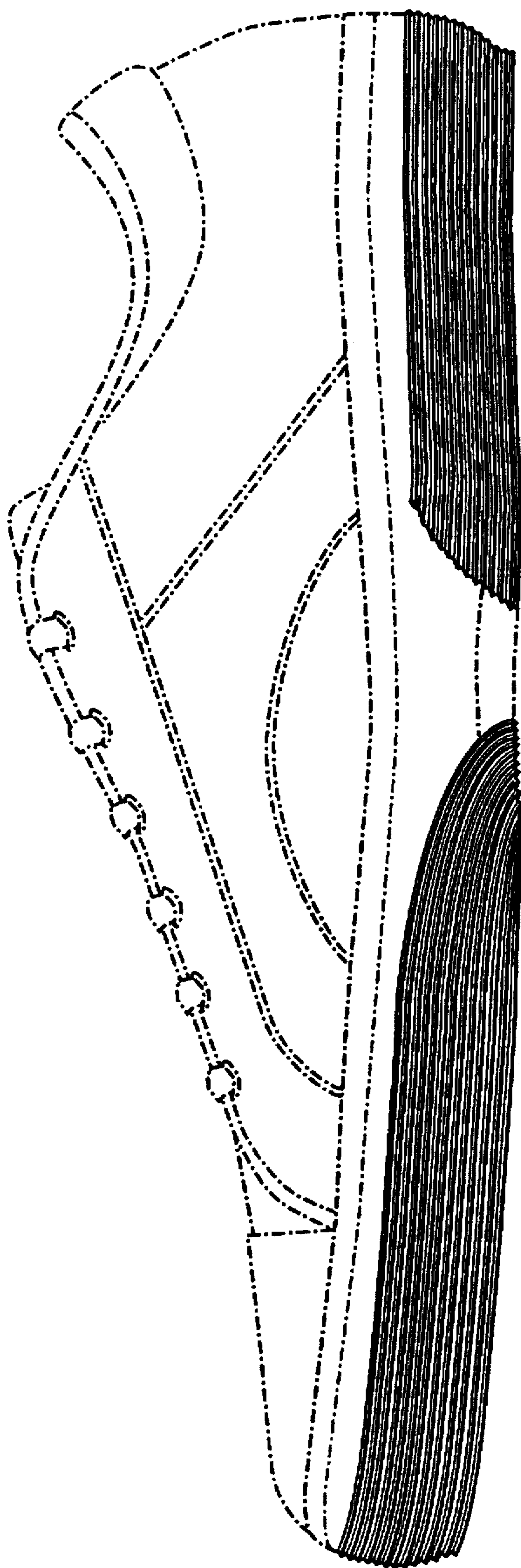


FIG. 2

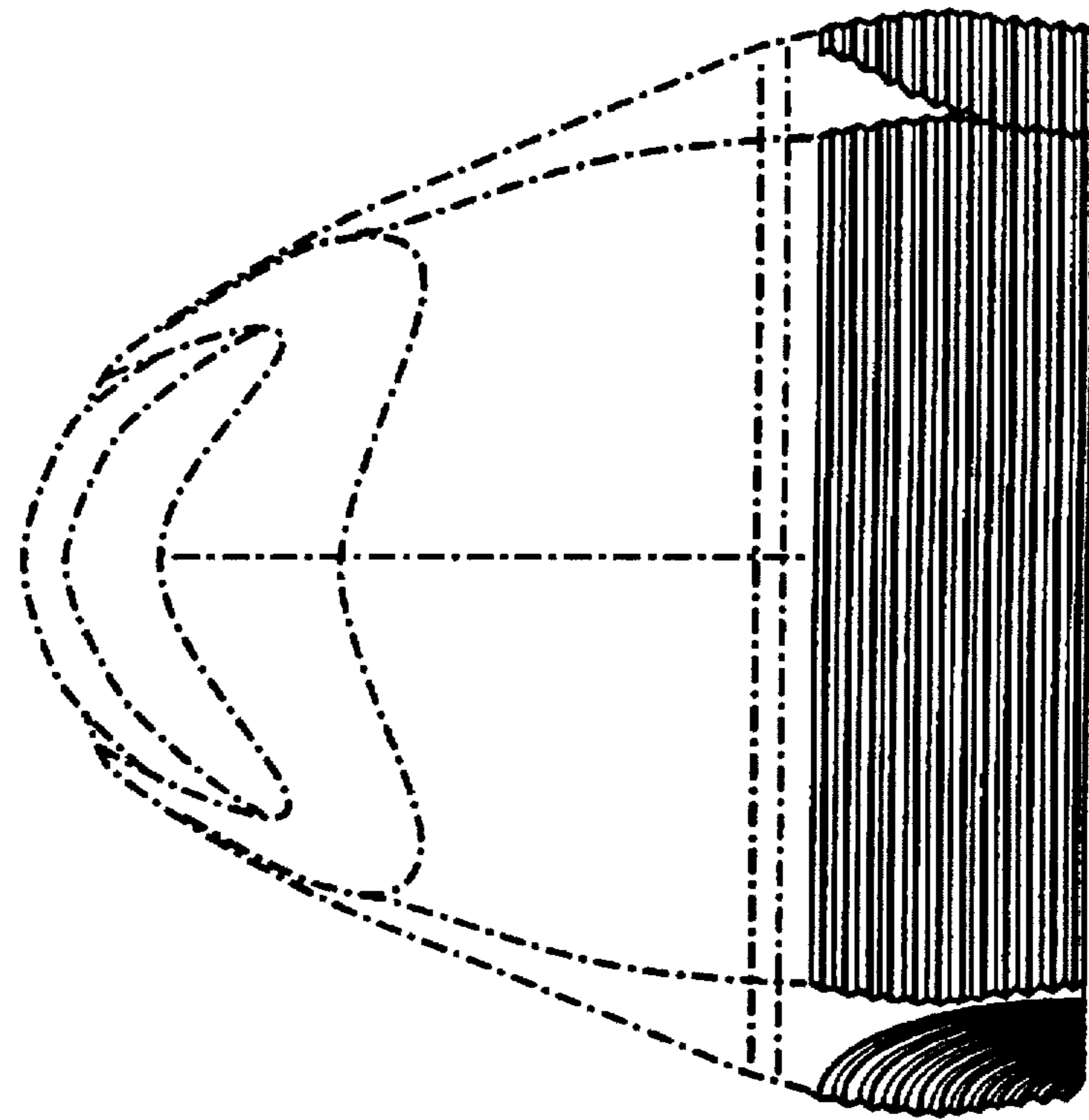


FIG. 3

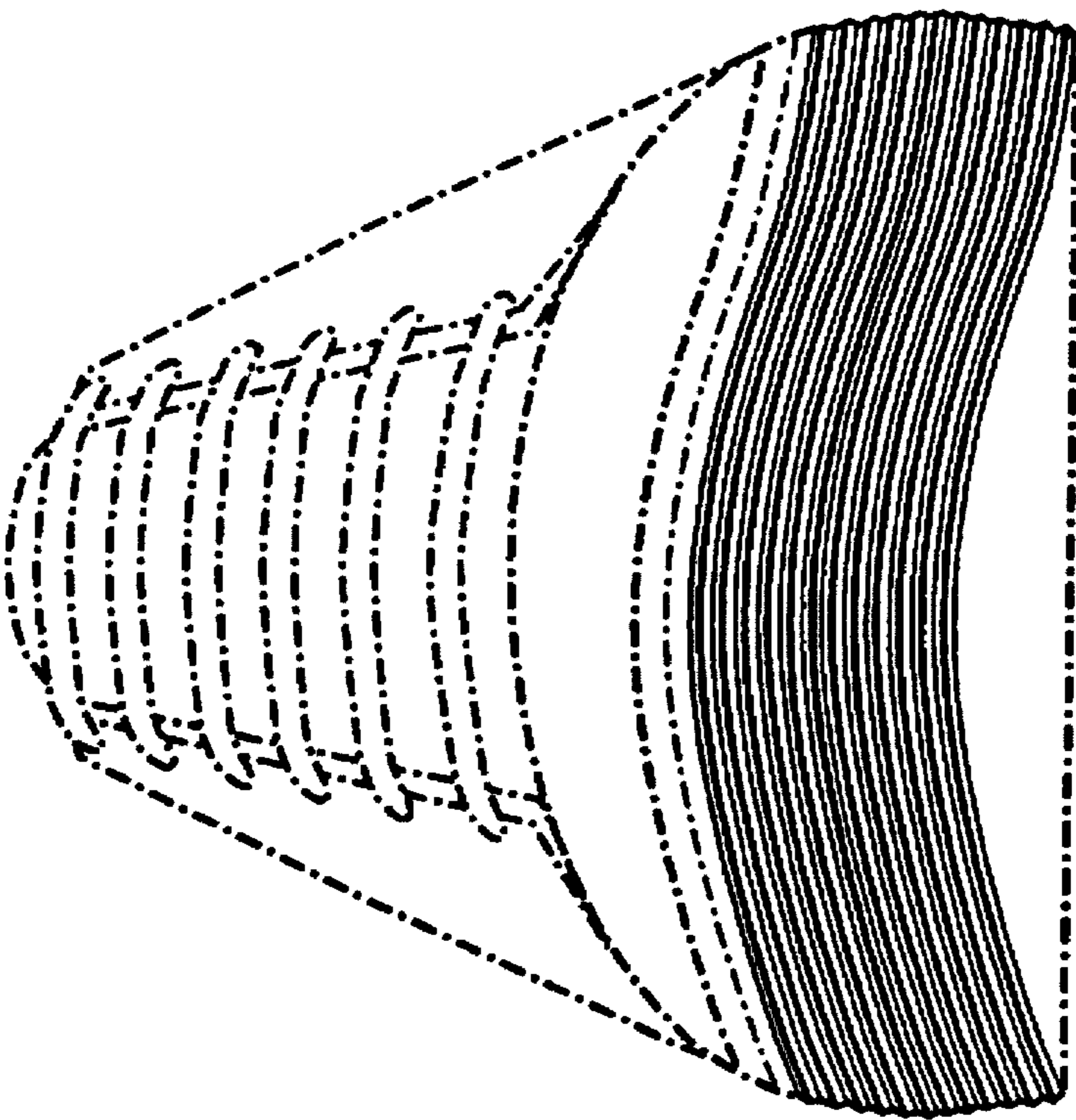


FIG. 4

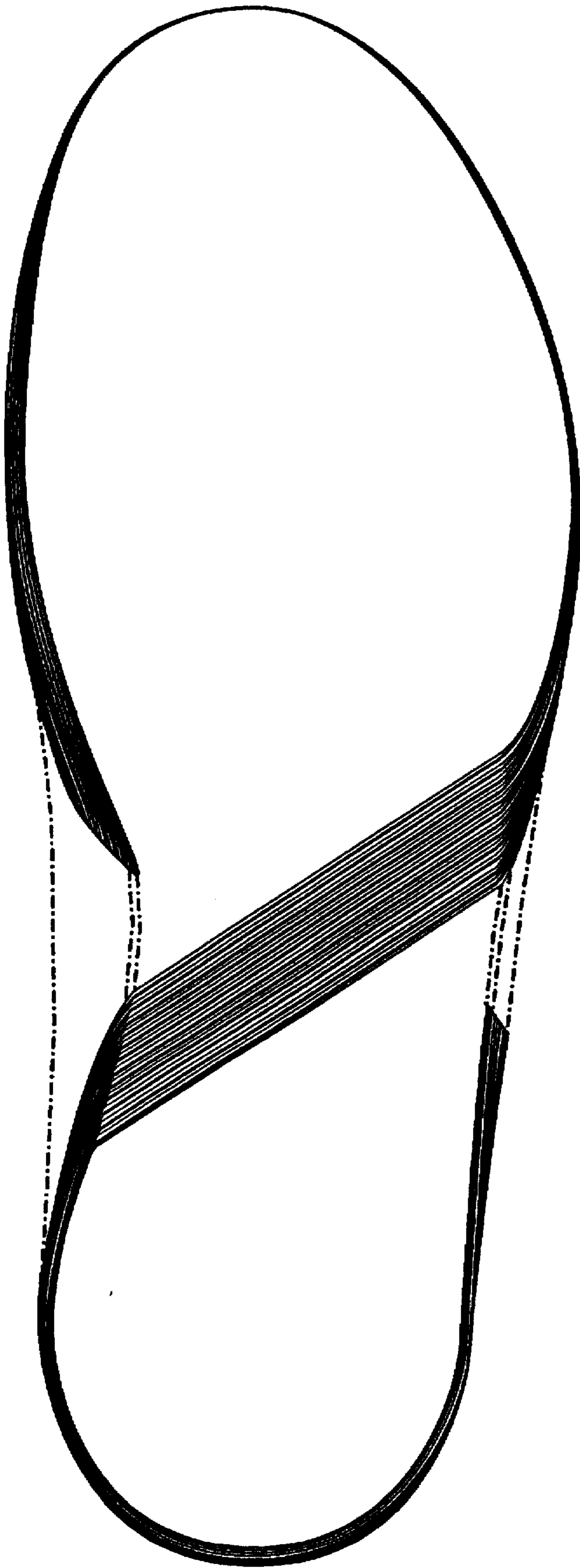


FIG. 5



FIG. 6