

US00D385684S

United States Patent [19]
Petersen

[11] **Patent Number: Des. 385,684**
[45] **Date of Patent: **Oct. 28, 1997**

[54] **PRECAST MAILBOX**

D. 338,762 8/1993 Nichols D99/32
4,711,391 12/1987 Roge et al. 232/17 X

[75] **Inventor: Chris C. Petersen, Denison, Iowa**

Primary Examiner—Doris V. Coles
Attorney, Agent, or Firm—Zarley, McKee, Thomte,
Voorhees & Sease; Dennis L. Thomte

[73] **Assignee: Petersen Mfg. Co., Inc., Denison, Iowa**

[**] **Term: 14 Years**

[57] **CLAIM**

[21] **Appl. No.: 49,891**

The ornamental design for a precast mailbox, as shown in the drawings.

[22] **Filed: Feb. 2, 1996**

[51] **LOC (6) Cl. 99-00**

[52] **U.S. Cl. D99/32**

[58] **Field of Search** D99/32, 29, 31;
232/19, 17, 43.1, 43.3, 43.4, 43.5, 39, 34,
24

DESCRIPTION

FIG. 1 is a front perspective view of a precast mailbox showing my new design;

FIG. 2 is a left side view thereof;

FIG. 3 is a front view thereof;

FIG. 4 is a right side view thereof;

FIG. 5 is a rear view thereof;

FIG. 6 is a top view thereof; and,

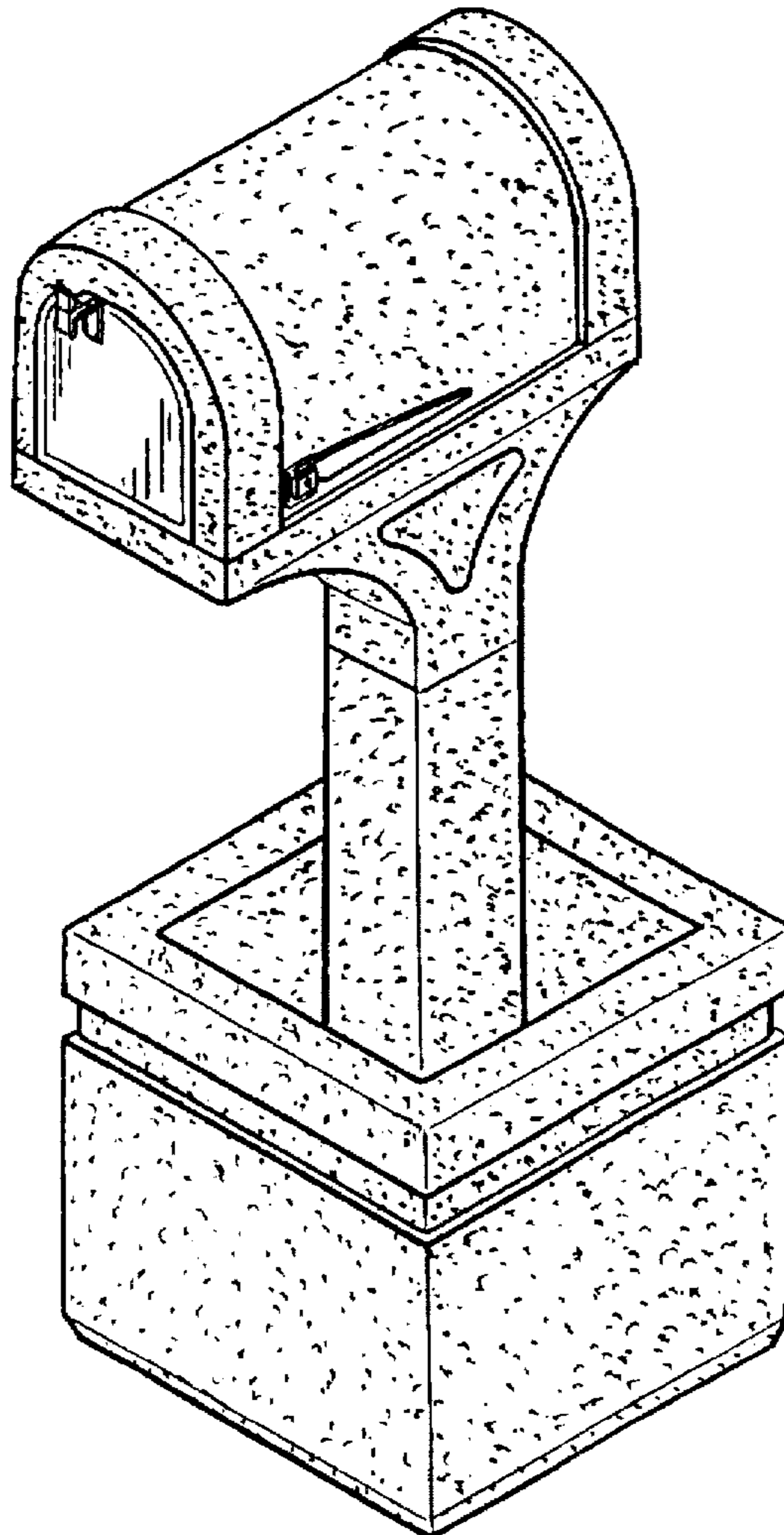
FIG. 7 is a bottom view thereof.

[56] **References Cited**

U.S. PATENT DOCUMENTS

D. 335,750 5/1993 Berardi D99/31
D. 335,755 5/1993 Davis et al. D99/32
D. 337,417 7/1993 McNiven D99/32

1 Claim, 1 Drawing Sheet



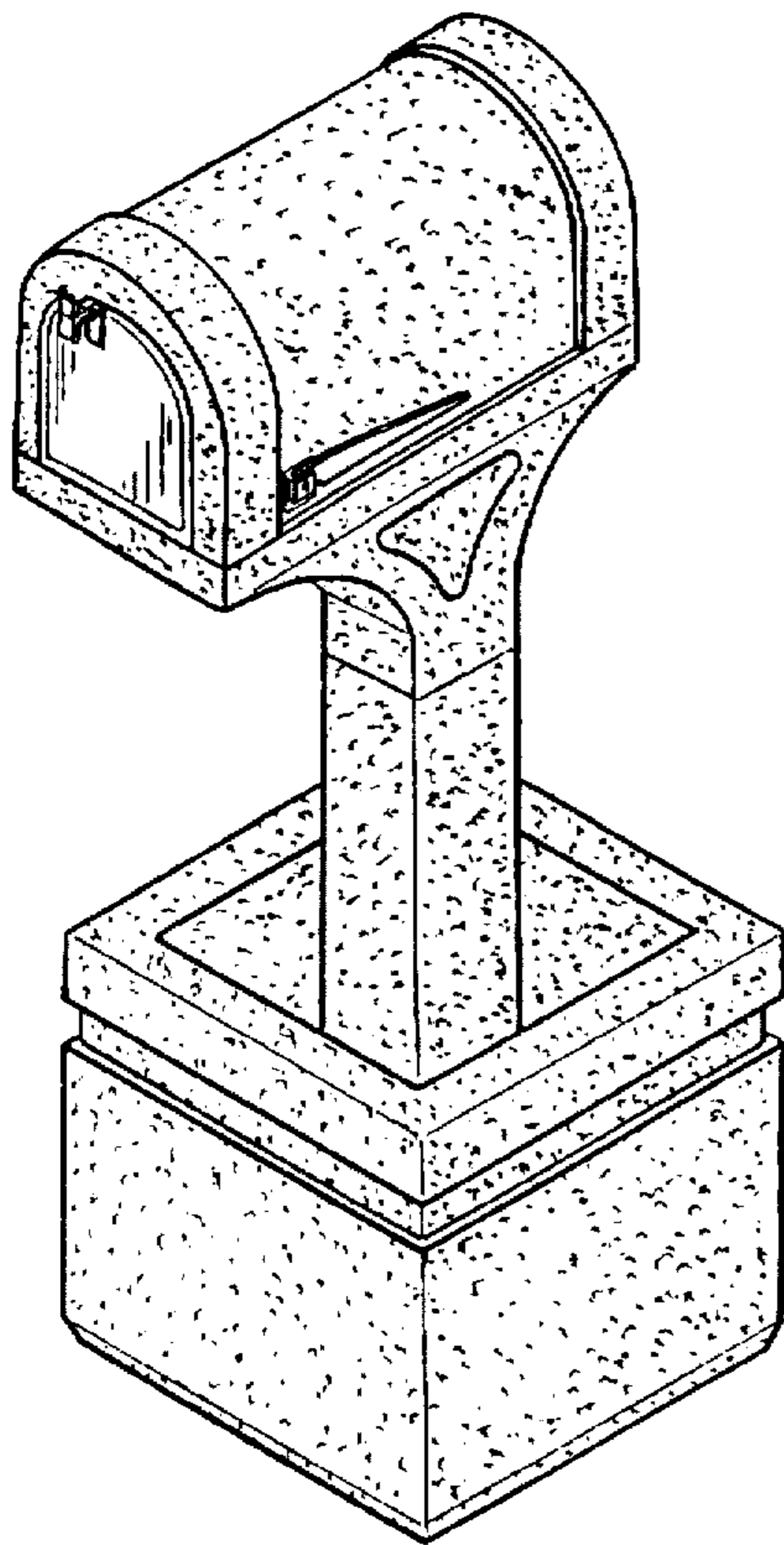


FIG. 1

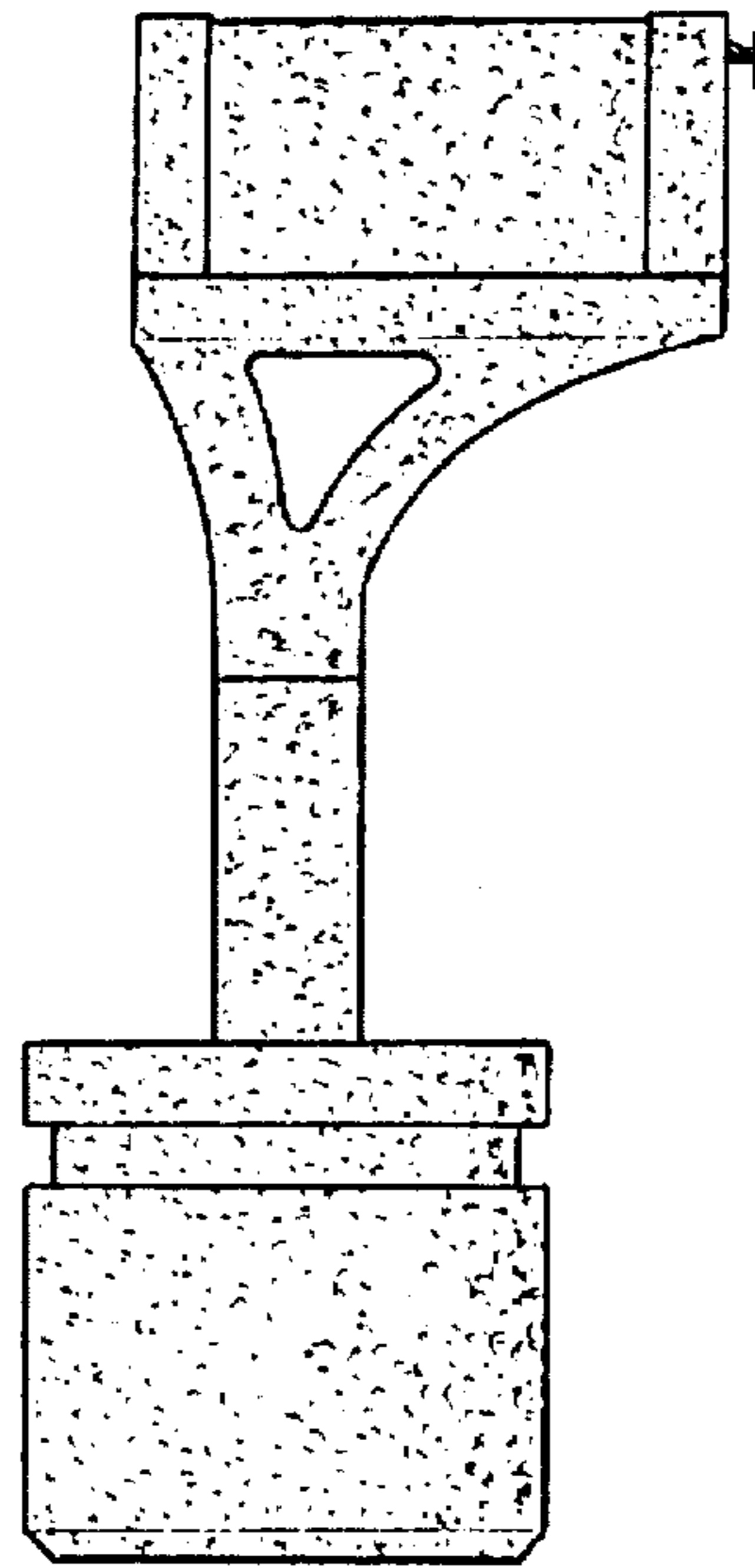


FIG. 2

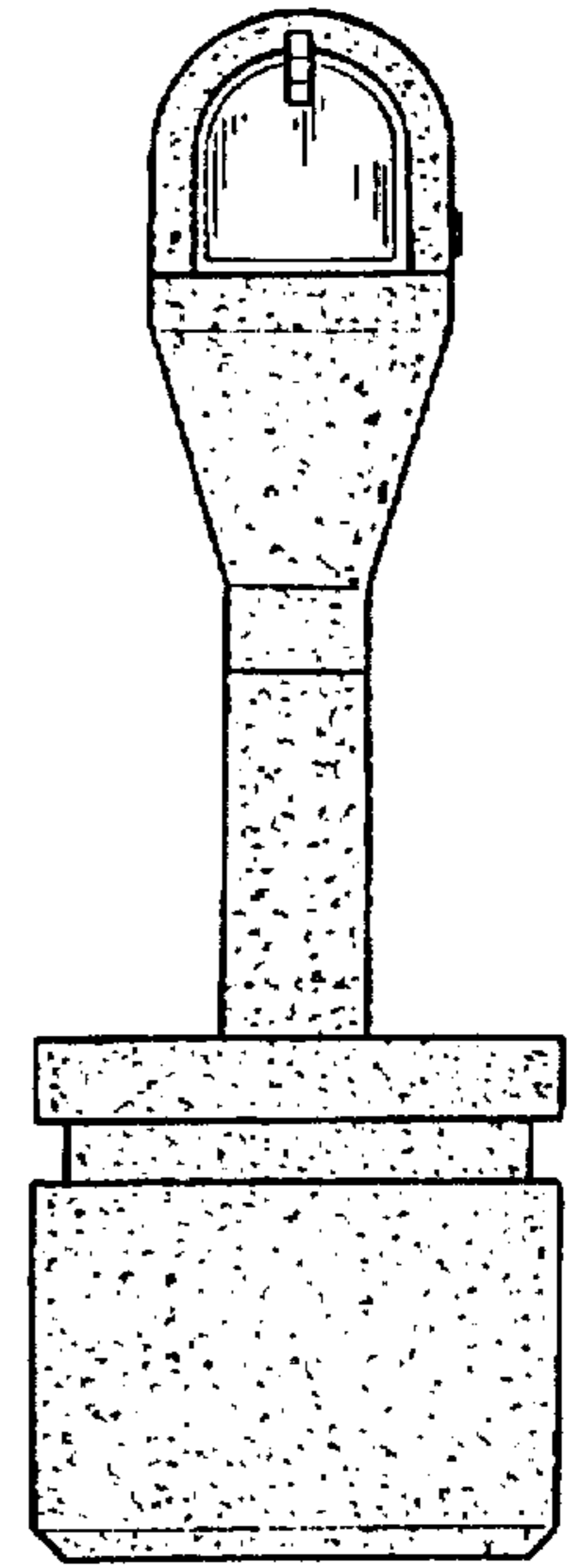


FIG. 3

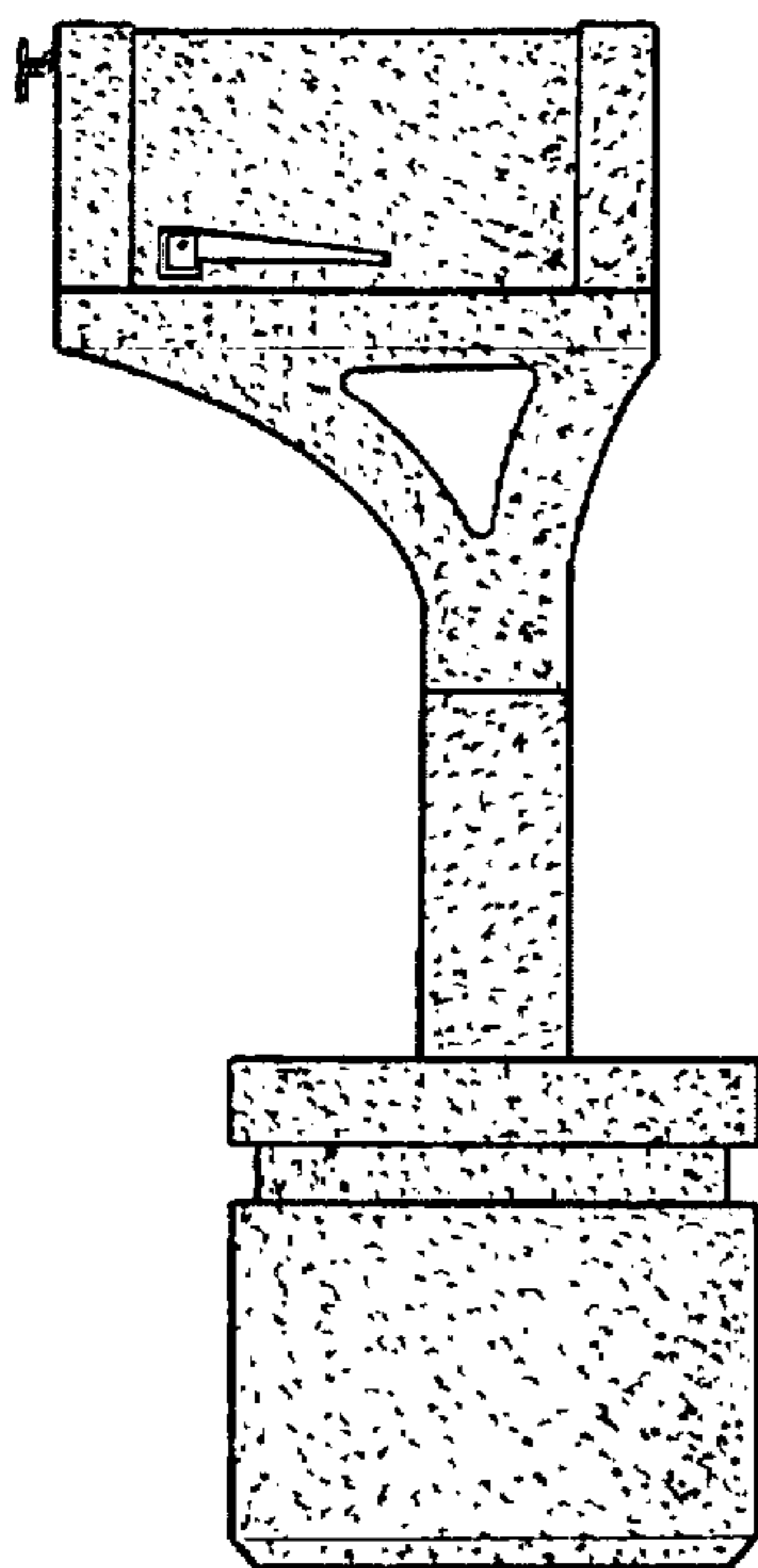


FIG. 4

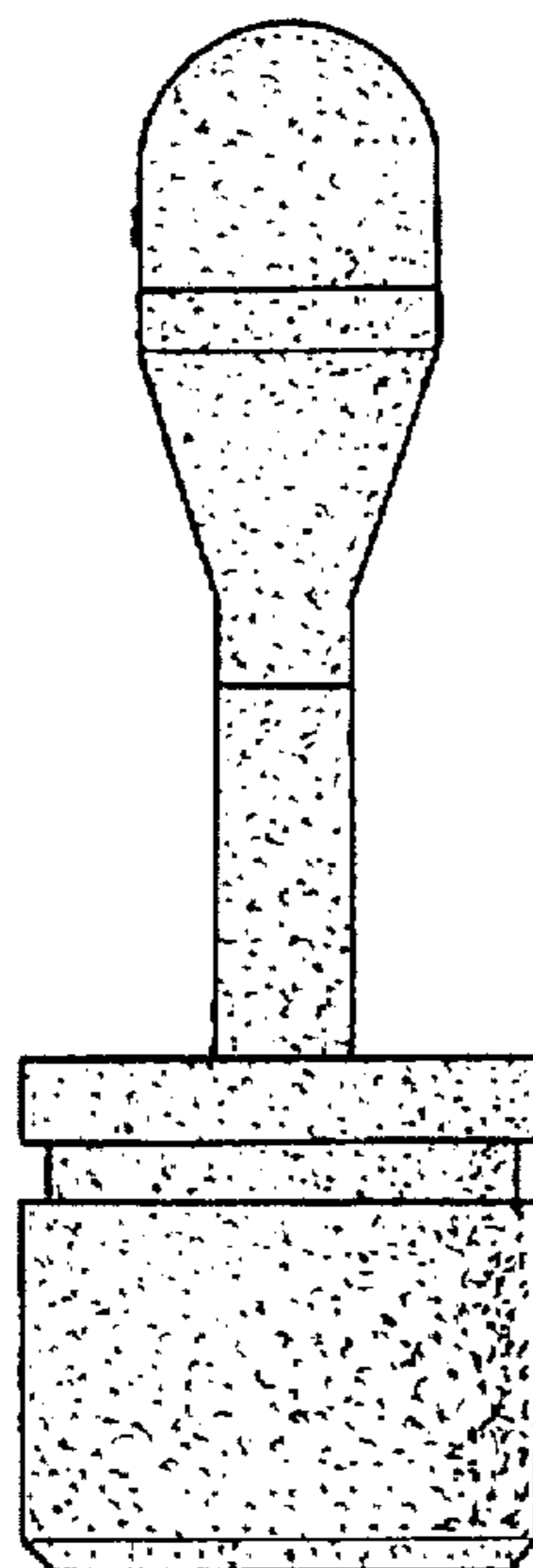


FIG. 5

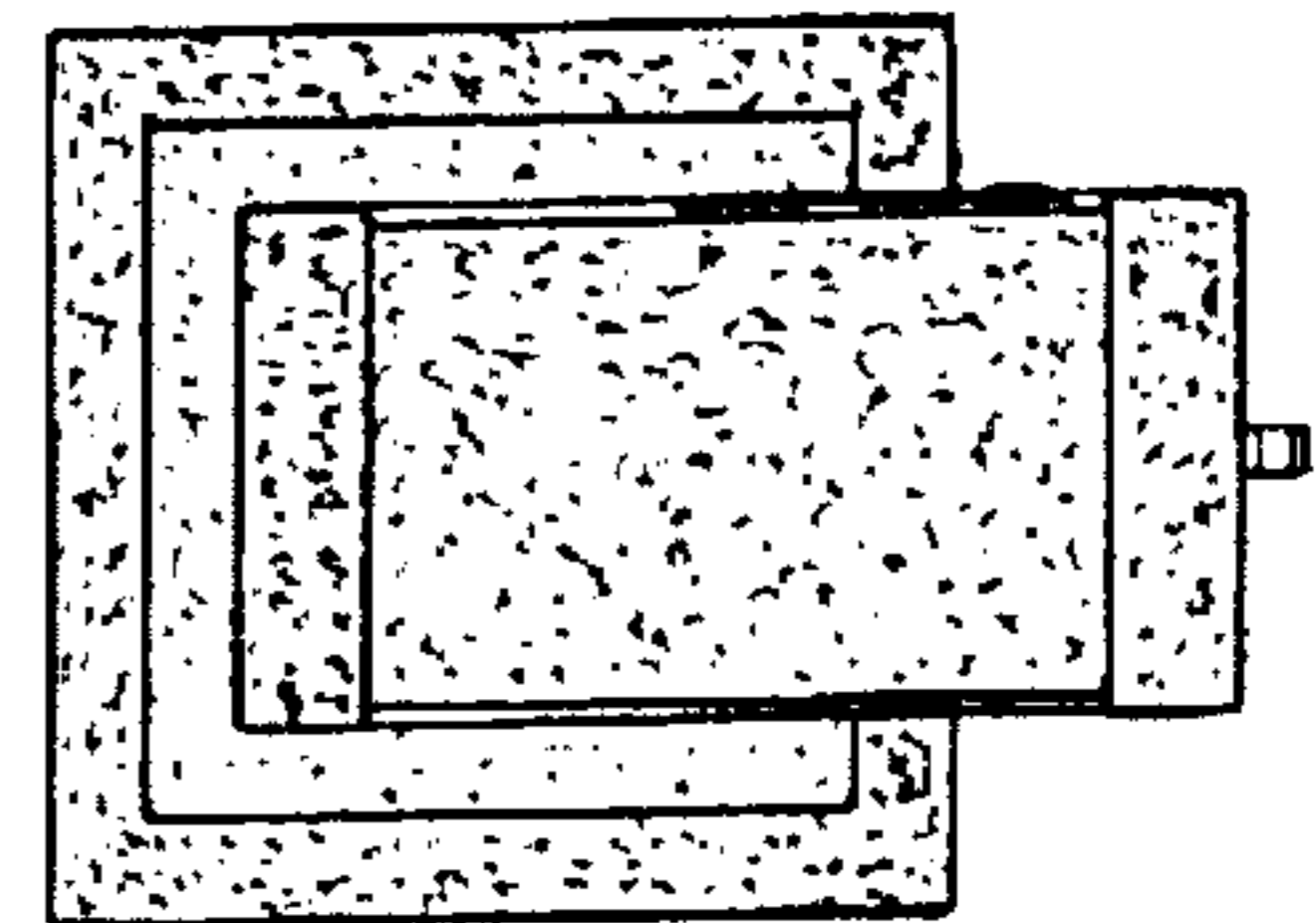


FIG. 6

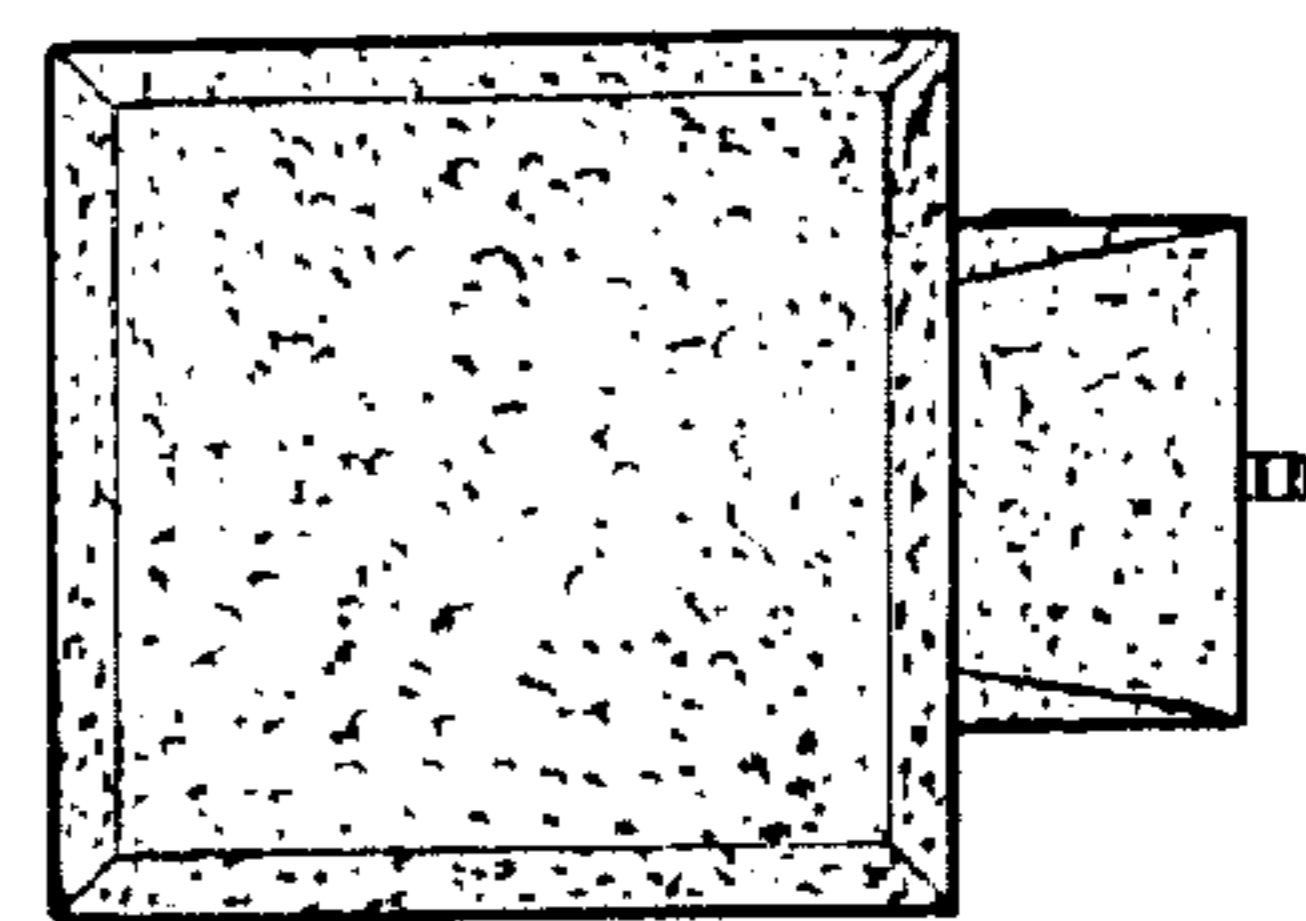


FIG. 7