

US00D385683S

# United States Patent [19]

[11] Patent Number: **Des. 385,683**

Duane

[45] Date of Patent: **\*\*Oct. 28, 1997**

[54] **DOUBLE DOOR MAILBOX WITH OPEN NEWSPAPER BOX**

D. 362,533	9/1995	Worden	.....	D99/31
3,030,058	4/1962	Rosing	.....	232/17
3,243,104	3/1966	Fillion	.....	232/33
3,888,409	6/1975	Bolduc	.....	D99/32 X
4,146,171	3/1979	Hodge	.....	232/1 C
5,465,902	11/1995	Hanson	.....	232/24 X

[76] Inventor: **James A. Duane**, 752 Leeward Ave., Beachwood, N.J. 08722

[\*\*] Term: **14 Years**

*Primary Examiner*—Doris V. Coles

[21] Appl. No.: **51,825**

[57] **CLAIM**

[22] Filed: **Mar. 19, 1996**

The ornamental design for a double door mailbox with open newspaper box, as shown and described.

[51] LOC (6) Cl. .... **99-00**

**DESCRIPTION**

[52] U.S. Cl. .... **D99/31; D99/29**

[58] Field of Search ..... D99/31, 29, 33; 232/24, 35, 34, 17, 33, 1 C, 43.1, 43.3, 43.4, 43.5, 39

FIG. 1 is a front elevational view of the double door mailbox with open newspaper box showing my new design; FIG. 2 is a rear elevational view thereof; FIG. 3 is a right view thereof; FIG. 4 is a left view thereof; FIG. 5 is a top plan view thereof; and, FIG. 6 is a bottom plan view thereof.

[56] **References Cited**

**U.S. PATENT DOCUMENTS**

D. 263,514	3/1982	Paparella	.....	D99/29 X
D. 313,106	12/1990	Hoffman et al.	.....	D99/29 X
D. 324,444	3/1992	Cummings	.....	D99/31

**1 Claim, 3 Drawing Sheets**

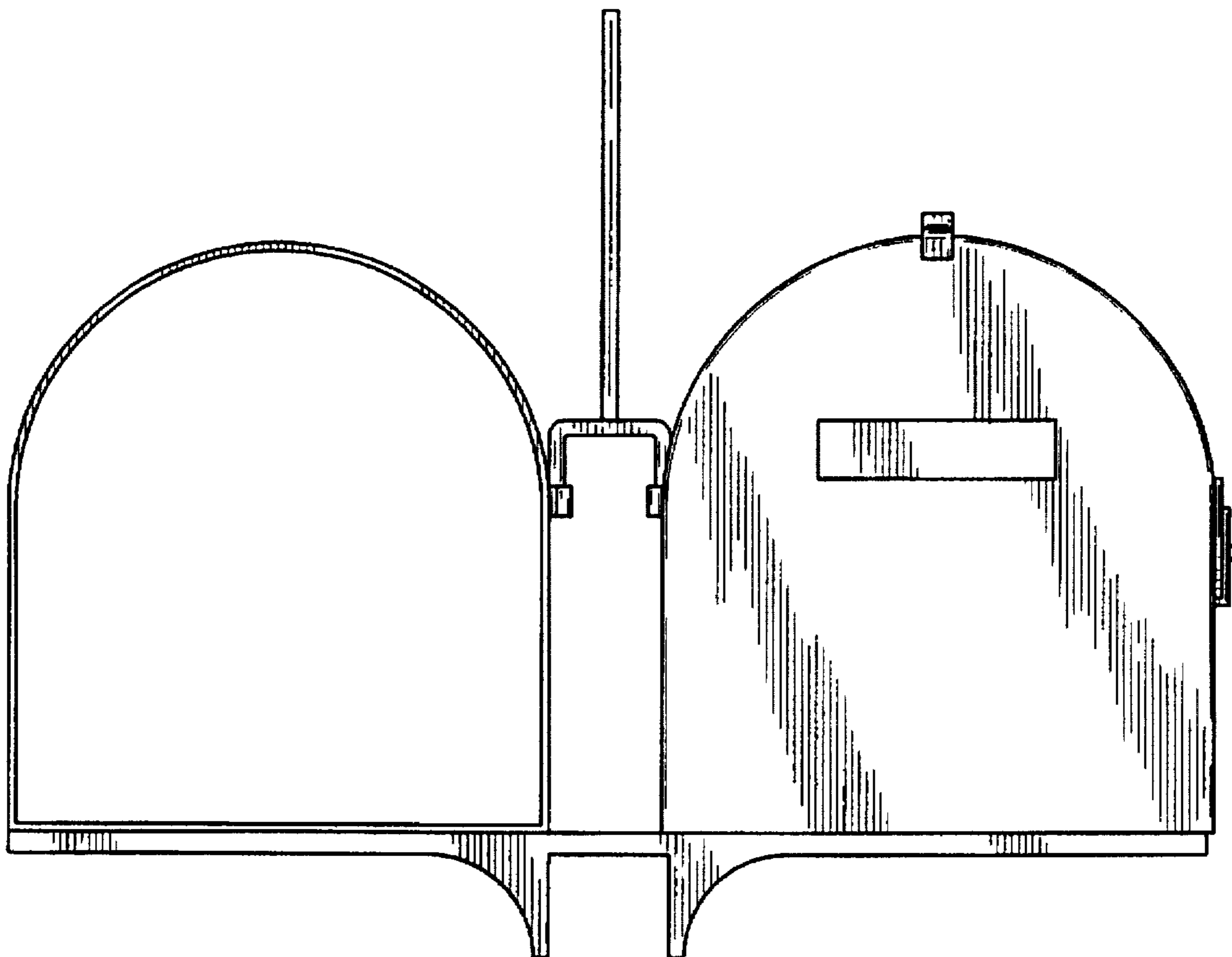


FIG. 1

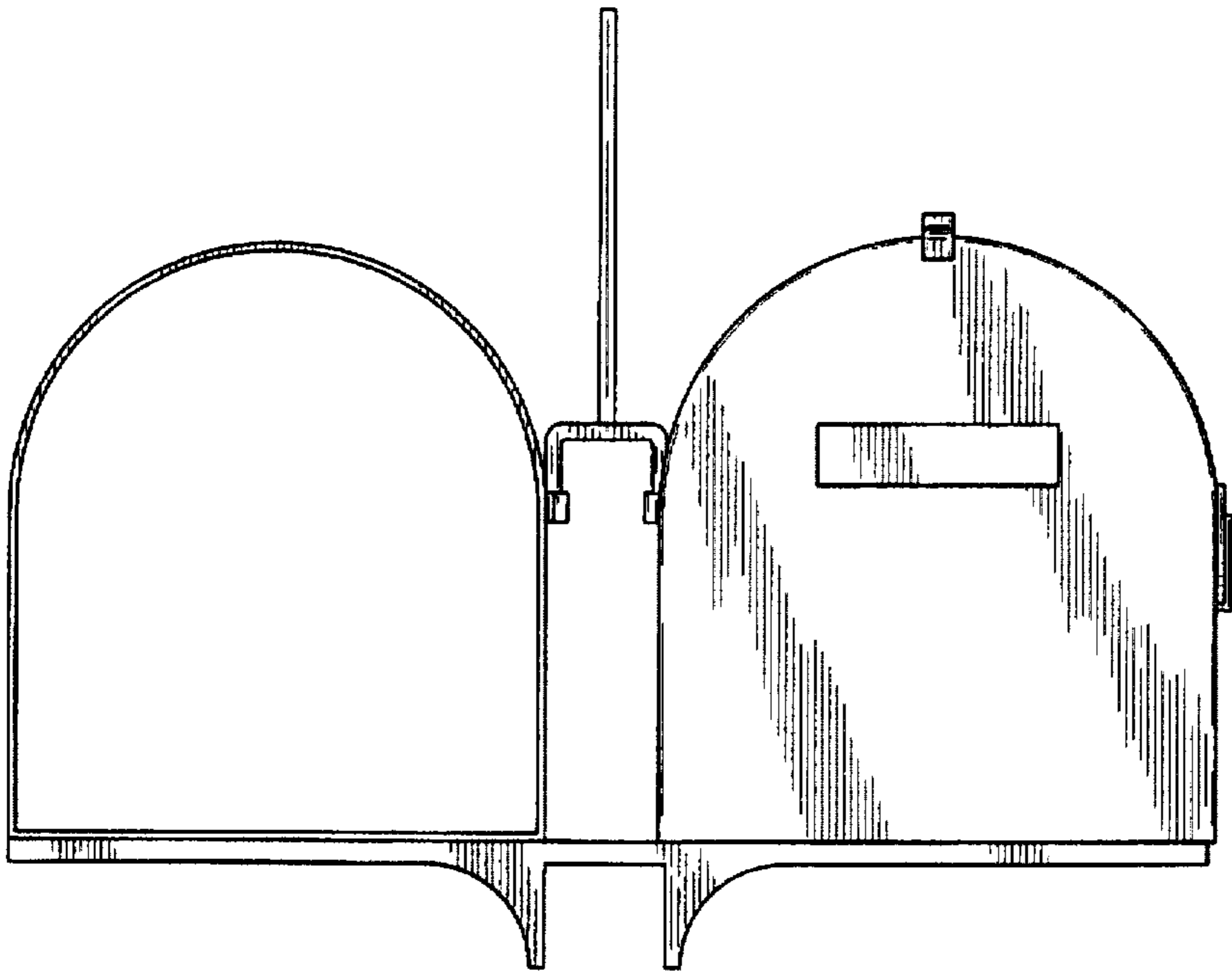


FIG. 2

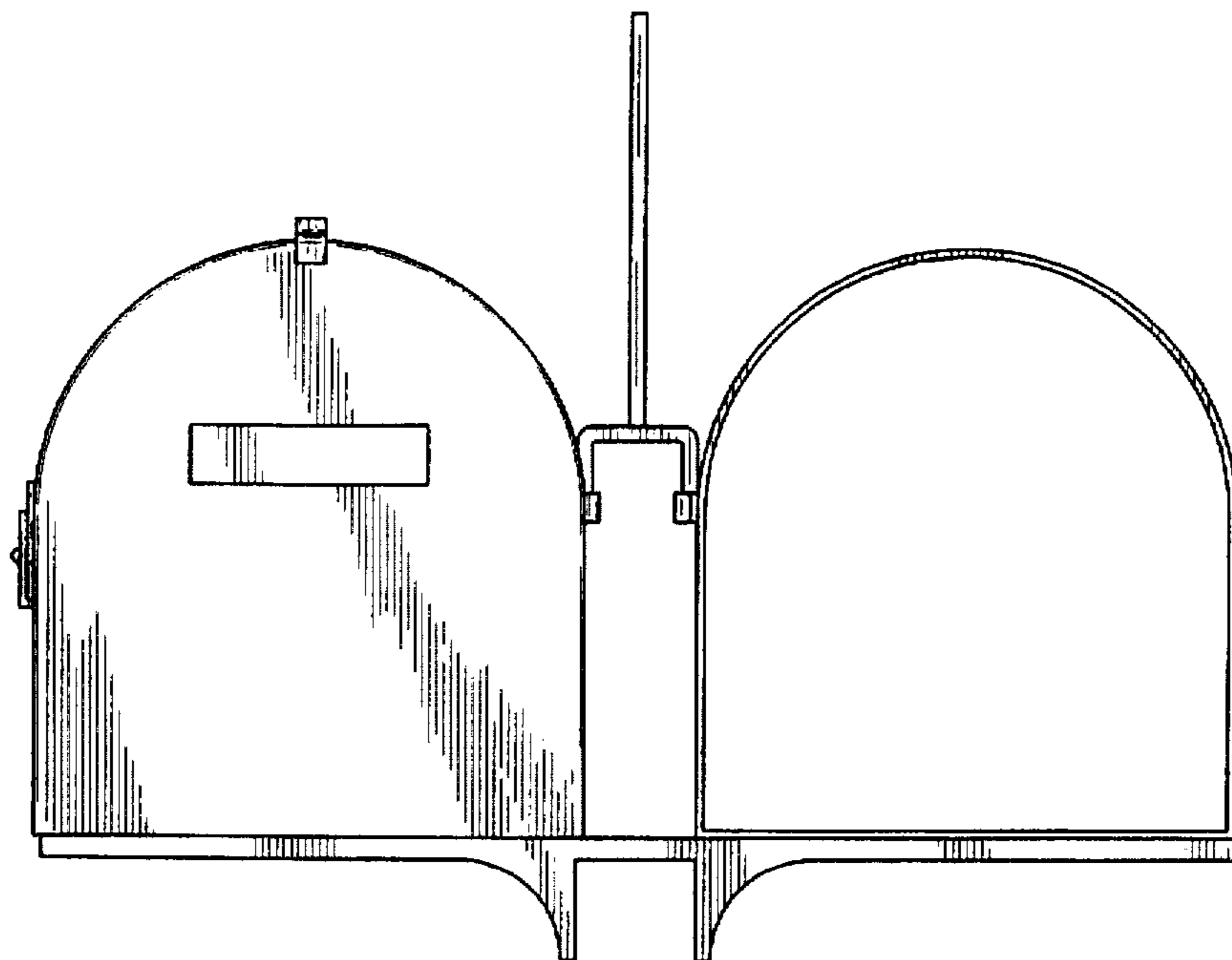


FIG. 3

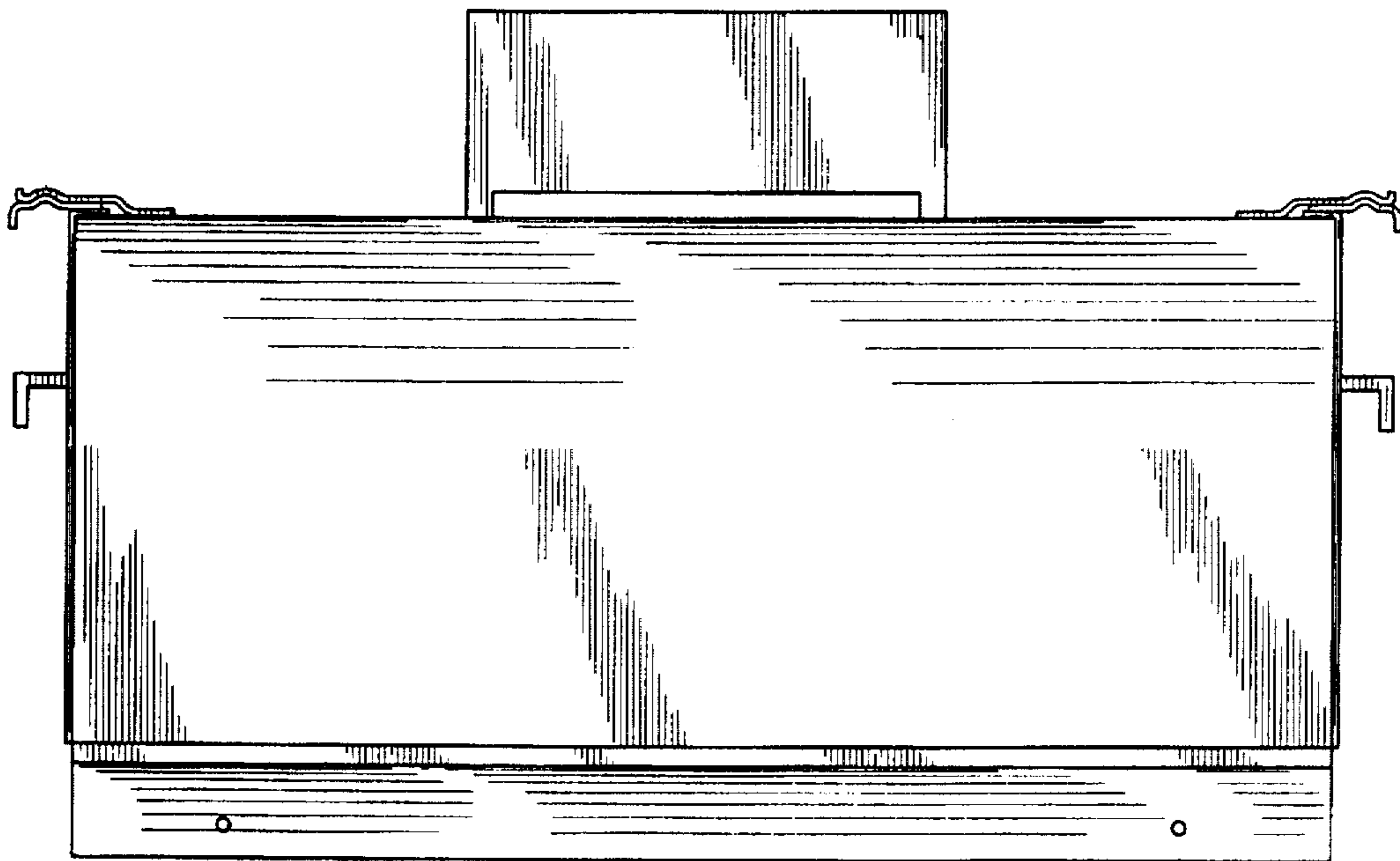


FIG. 4

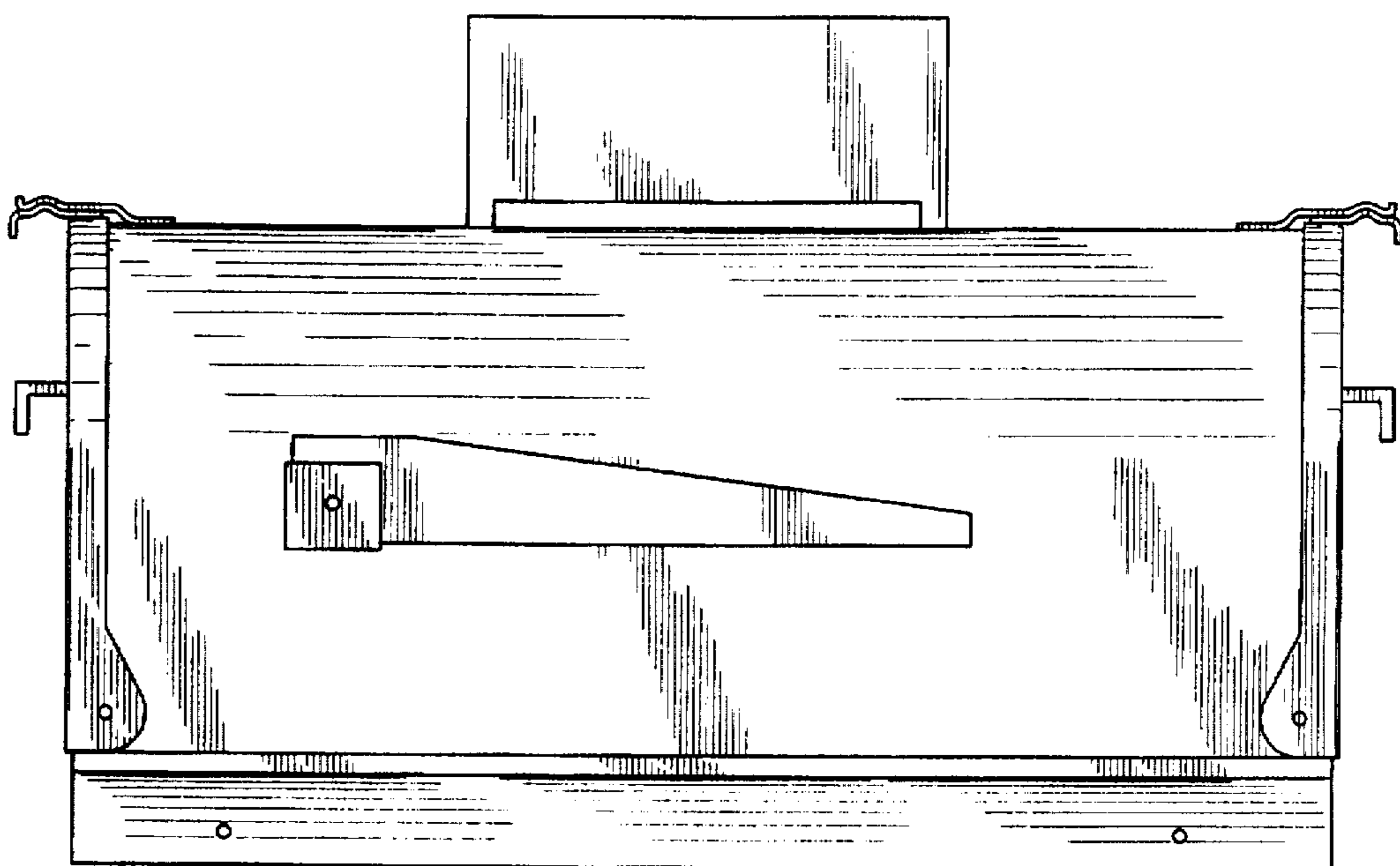


FIG. 6



FIG. 5

