



US00D385679S

United States Patent [19]

Sullivan

[11] Patent Number: **Des. 385,679**

[45] Date of Patent: ****Oct. 28, 1997**

[54] **MAILBOX PROTECTOR**

[76] Inventor: **Shawn Francis Sullivan, 329 Providence Blvd., Deltona, Fla. 32725**

[**] Term: **14 Years**

[21] Appl. No.: **50,030**

[22] Filed: **Feb. 7, 1996**

[51] LOC (6) Cl. **99-00**

[52] U.S. Cl. **D99/29**

[58] Field of Search **D99/29, 32; 232/17, 232/38, 39, 19**

4,901,913	2/1990	Fischer	232/17
4,905,891	3/1990	Wildish et al.	232/17
4,905,892	3/1990	Fischer	232/17
4,955,533	9/1990	Merkel	232/39
5,031,828	7/1991	Fischer	232/39
5,067,650	11/1991	Jones et al.	232/17
5,460,326	10/1995	Albanesius	232/39

Primary Examiner—Doris V. Coles

[57] **CLAIM**

The ornamental design for a mailbox protector, as shown.

DESCRIPTION

FIG. 1 is a front perspective view; and, FIG. 2 is a rear perspective view.

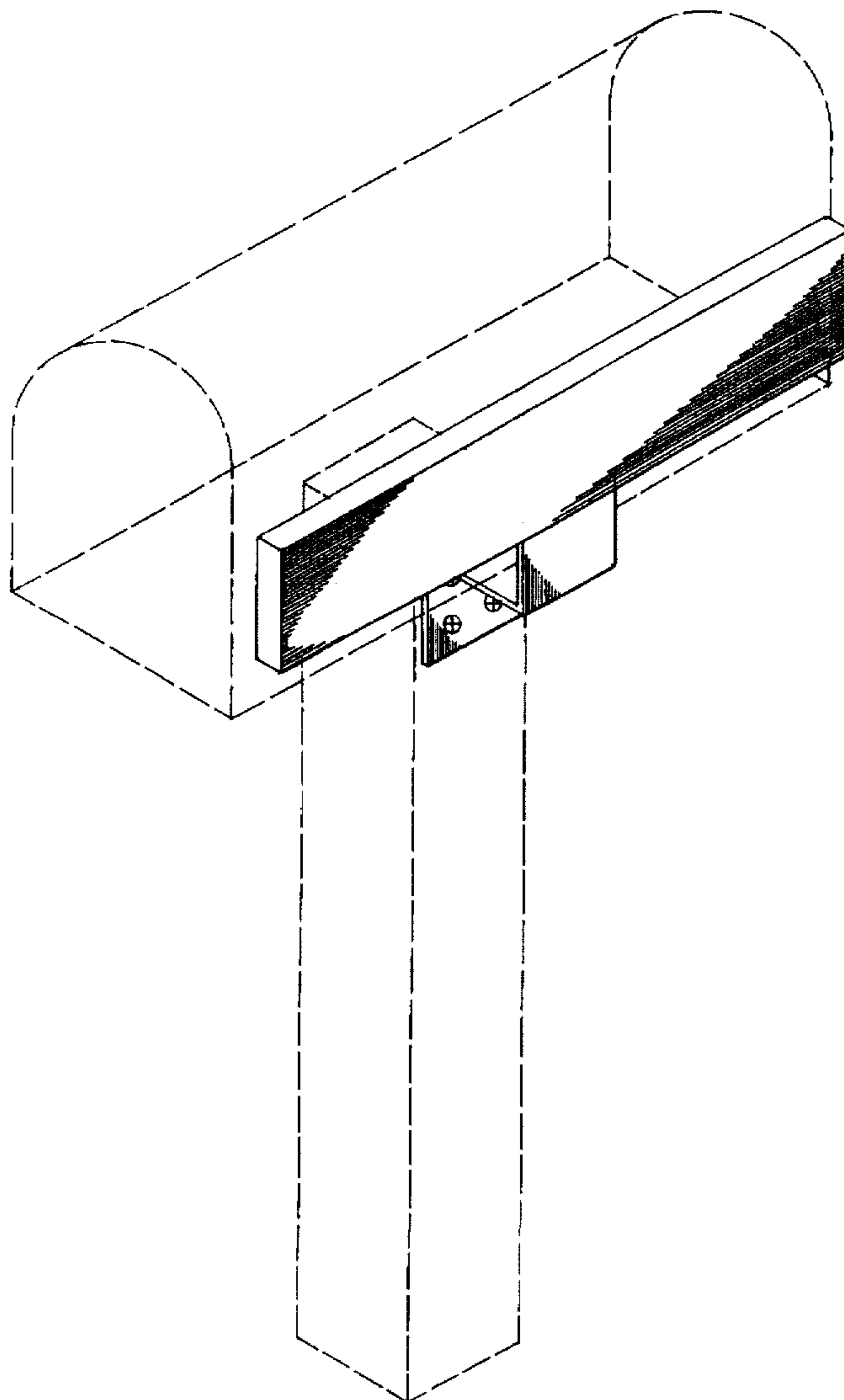
The broken line showing of a mailbox and post in FIGS. 1 and 2 is for illustrative purposes only and forms no part of the claimed design.

[56] **References Cited**

U.S. PATENT DOCUMENTS

D. 190,939	7/1961	Herblan	D99/32
3,556,393	1/1971	Fibus	232/17
4,187,978	2/1980	Dowker	232/39
4,368,842	1/1983	Delange, III	232/17

1 Claim, 2 Drawing Sheets



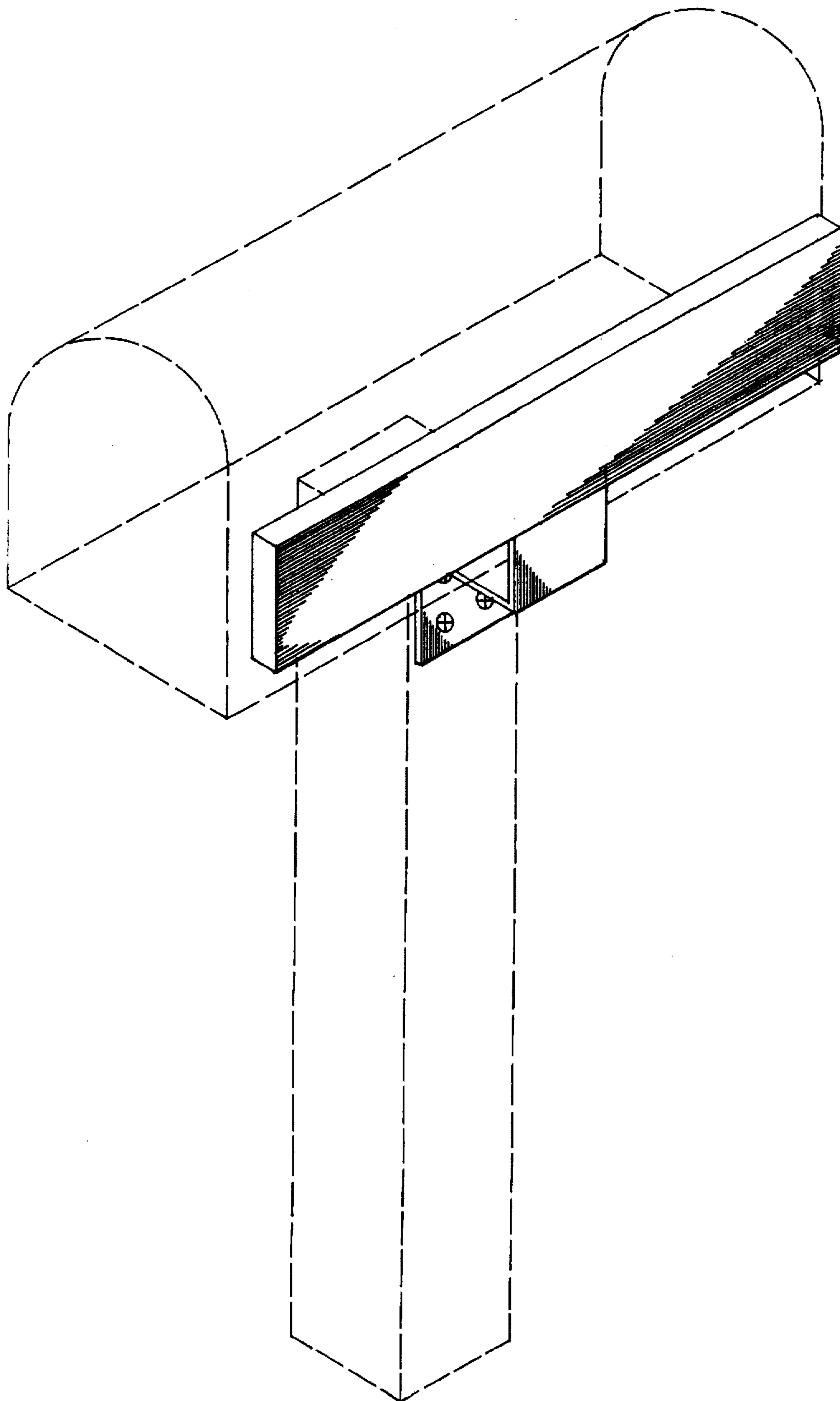


Fig. 1

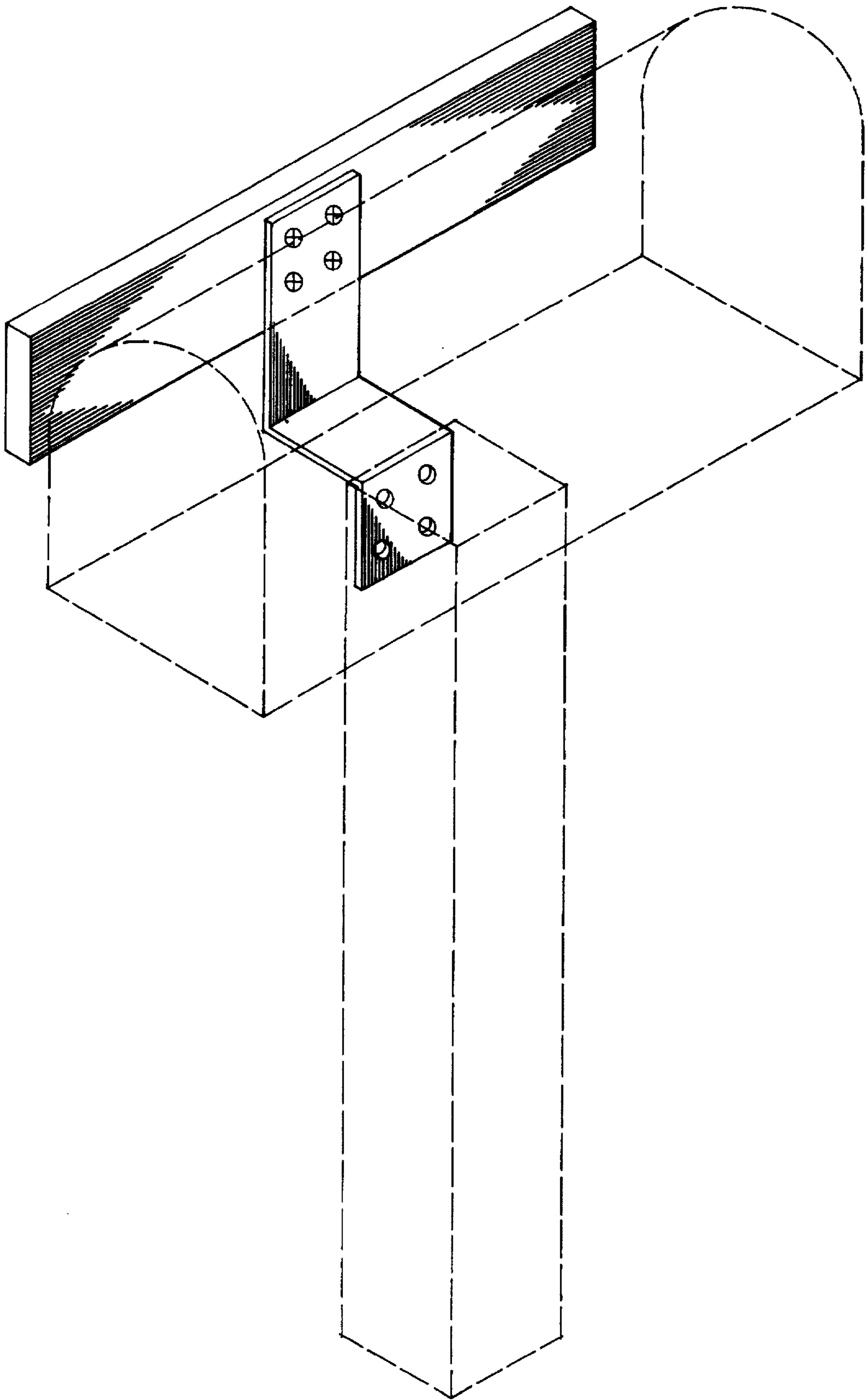


Fig. 2