

US00D385677S

# United States Patent [19]

[11] Patent Number: **Des. 385,677**

Vivirito, Jr.

[45] Date of Patent: **\*\*Oct. 28, 1997**

## [54] ILLUMINATED MAILBOX

[76] Inventor: **Thomas A. Vivirito, Jr.**, 11122 Hackney Dr., Riverview, Fla. 33569

[\*\*] Term: **14 Years**

[21] Appl. No.: **45,781**

[22] Filed: **Oct. 30, 1995**

[51] LOC (6) Cl. .... **99-00**

[52] U.S. Cl. .... **D99/29**

[58] Field of Search ..... D99/29-33; 232/1 C, 232/1 D, 4 R, 5, 17, 19, 25-28, 34, 35, 37-39, 43.4

## [56] References Cited

### U.S. PATENT DOCUMENTS

D. 306,228	2/1990	Hoffman et al. ....	D99/31
3,891,139	6/1975	Redling .....	D99/32 X
4,005,816	2/1977	Malik .....	232/35
4,220,278	9/1980	Hasselbring .....	232/17 X
4,648,012	3/1987	Pittman, II .....	D99/29 X
4,755,915	7/1988	Rogers .....	D99/29 X
4,756,472	7/1988	Hammons .....	232/35
5,054,685	10/1991	Roach .....	232/17
5,449,111	9/1995	Sauzedde et al. ....	232/43.4 X
5,460,325	10/1995	Surman .....	232/17

## OTHER PUBLICATIONS

Steel City Corp. Ad., 2 Door Safety Mailbox, Aug. 15, 1995.  
Signatures Catalog, Cedar Mailbox, Mar. 1990.

*Primary Examiner*—James Gandy  
*Assistant Examiner*—Caron D. Veynar  
*Attorney, Agent, or Firm*—Harold H. Dutton, Jr.; W. Charles L. Jamison; Diane F. Liebman

## [57] CLAIM

The ornamental design for an illuminated mailbox, as shown and described.

## DESCRIPTION

FIG. 1 is a perspective view of an illuminated mailbox, showing my new design;  
FIG. 2 is a right side view thereof with an open rear door;  
FIG. 3 is a left side view thereof;  
FIG. 4 is a rear view thereof;  
FIG. 5 is a front view thereof with open door;  
FIG. 6 is a top view thereof; and,  
FIG. 7 is a bottom view thereof.  
The broken line showing of a post in FIG. 1 is for illustrative purposes only and forms no part of the claimed design.

**1 Claim, 4 Drawing Sheets**

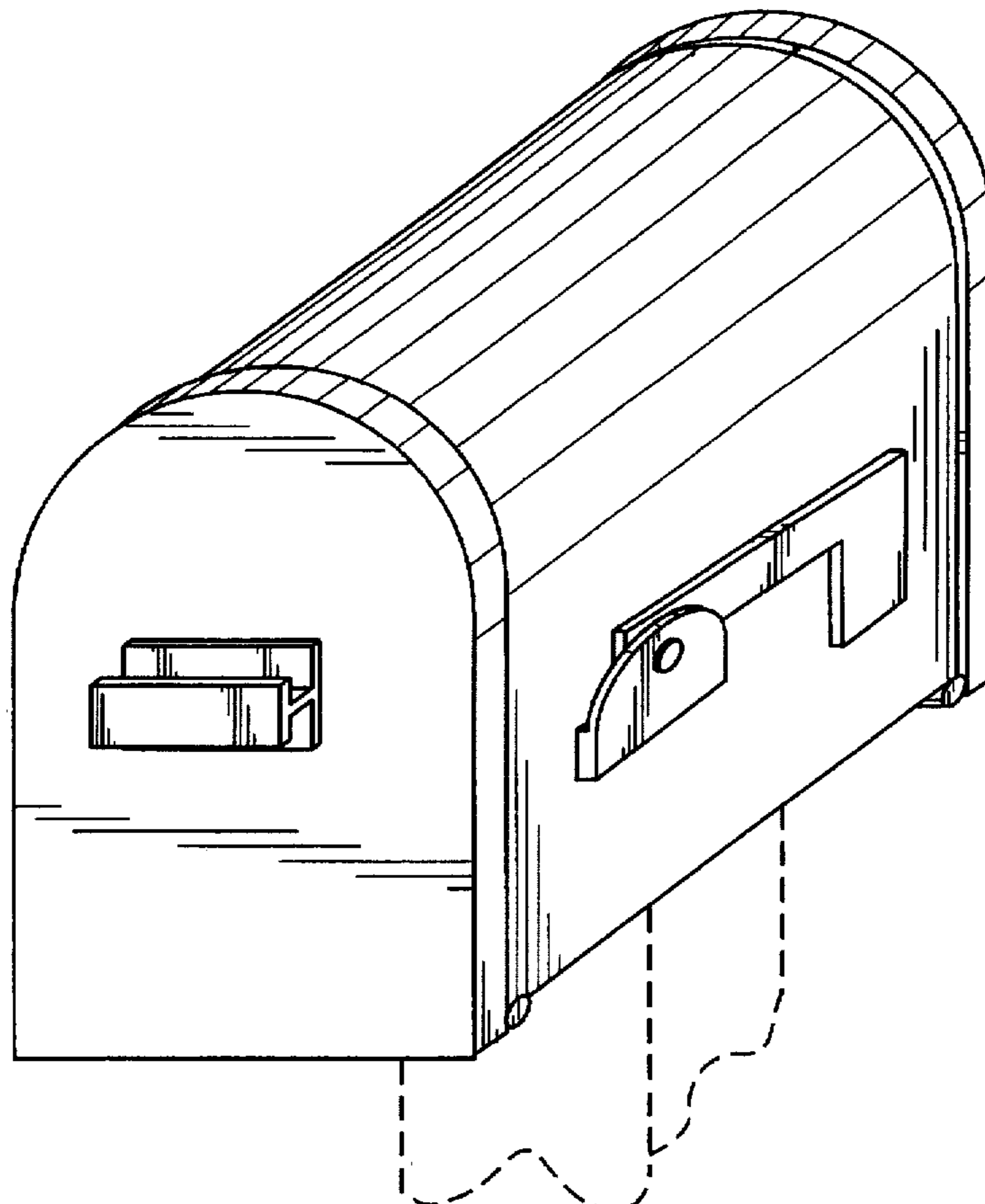
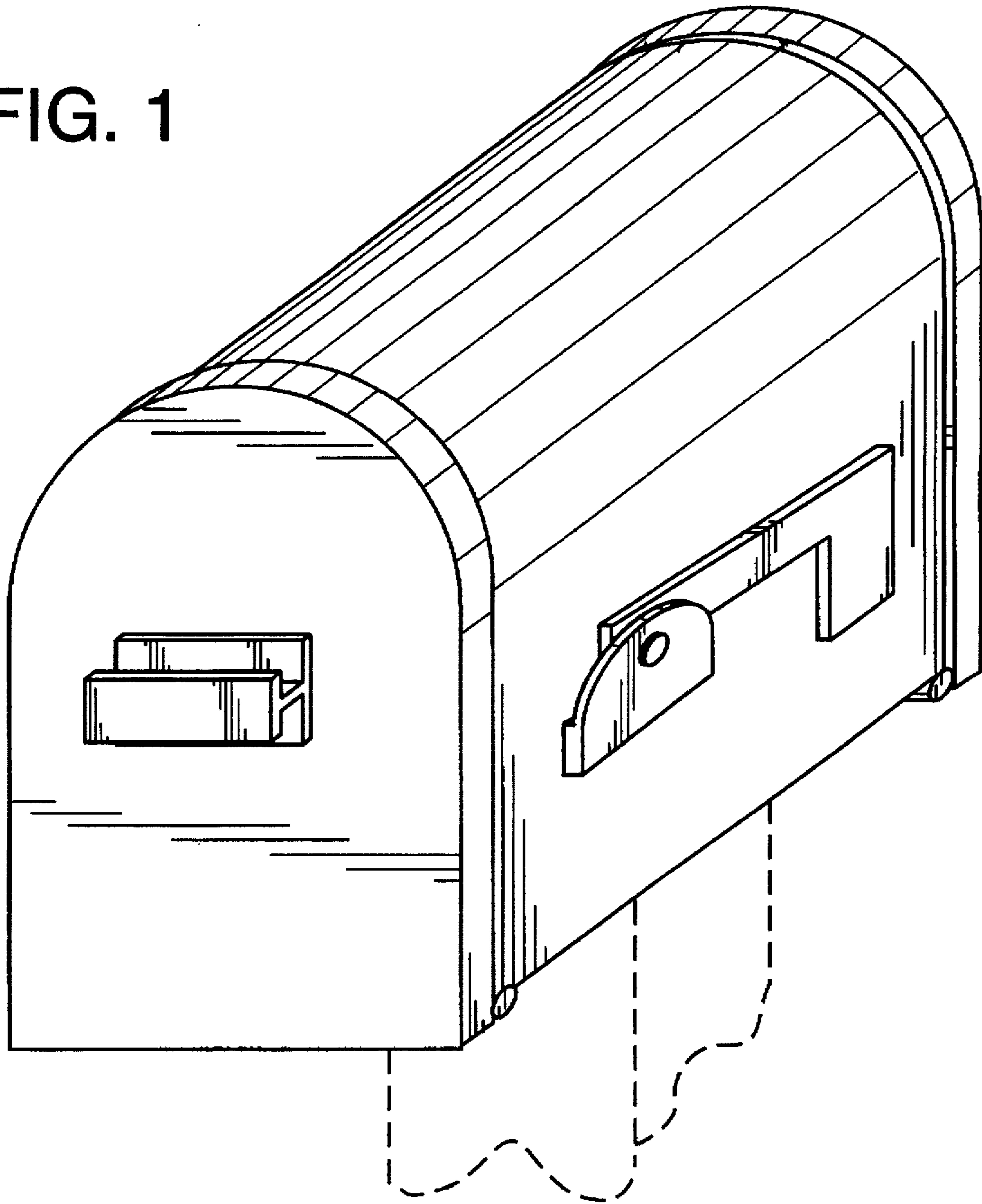


FIG. 1



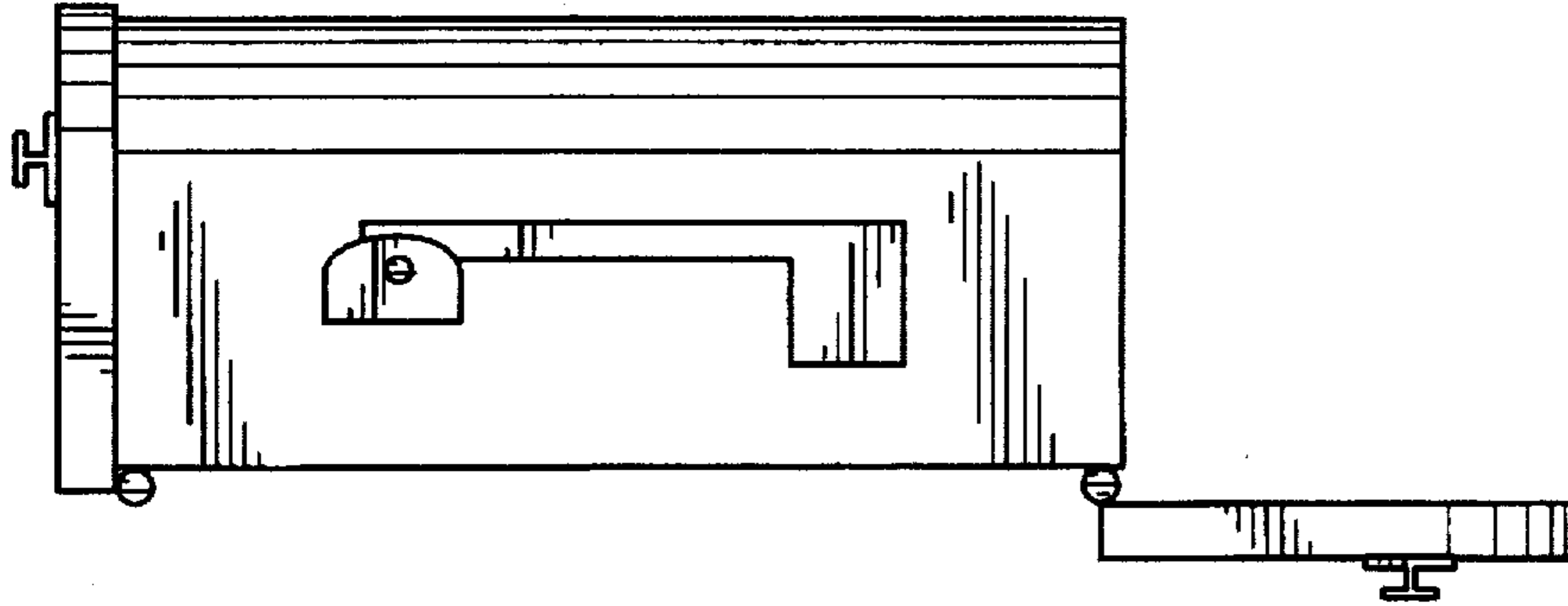
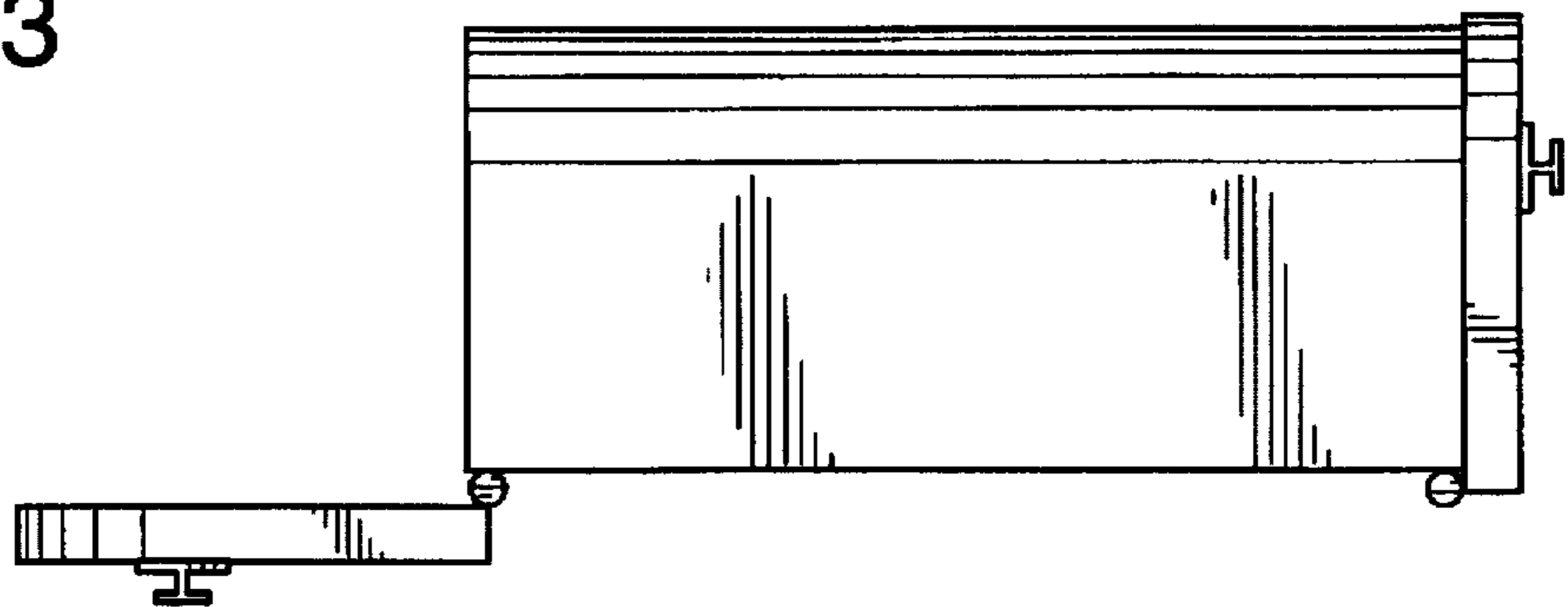


FIG. 2

FIG. 3



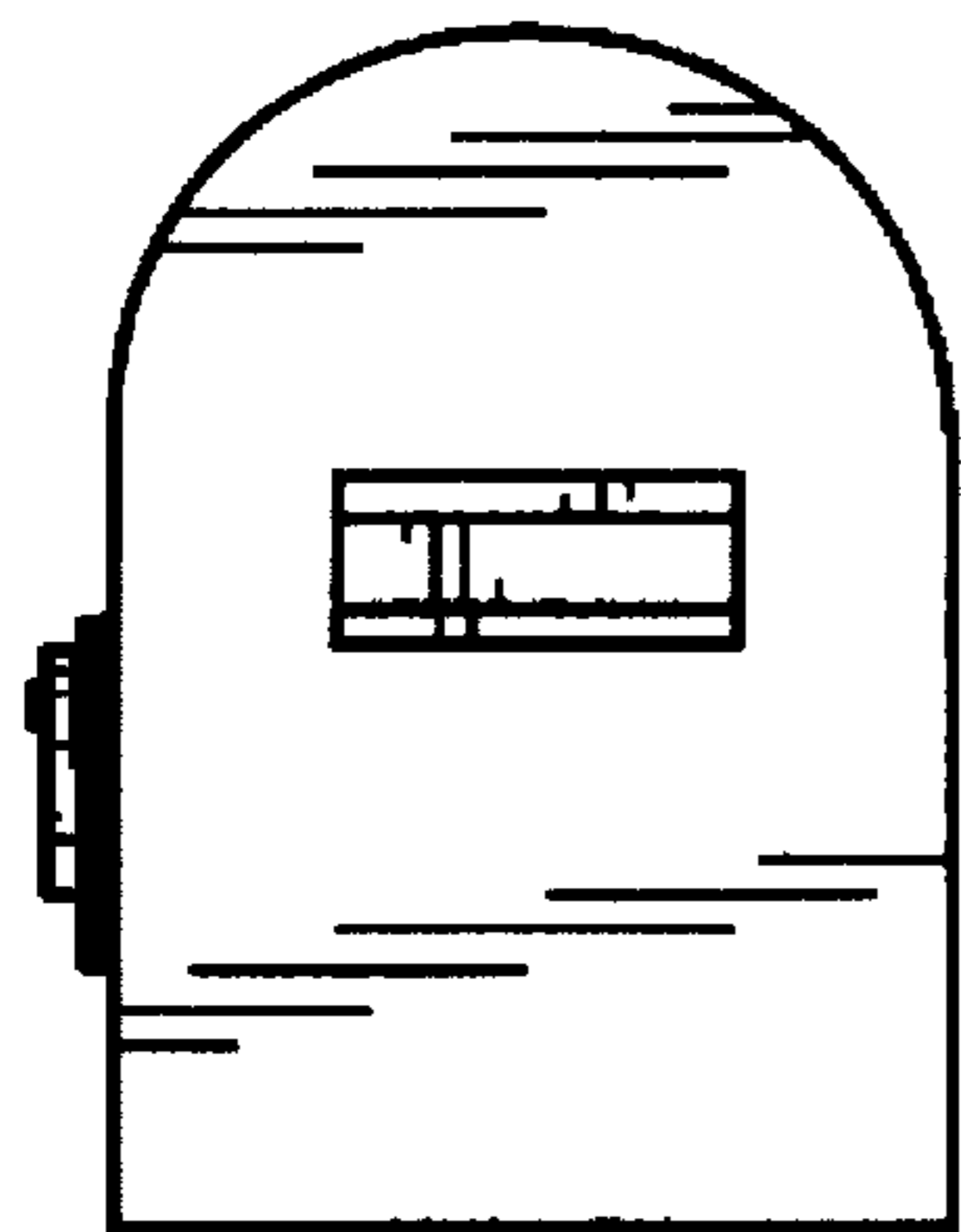


FIG. 4

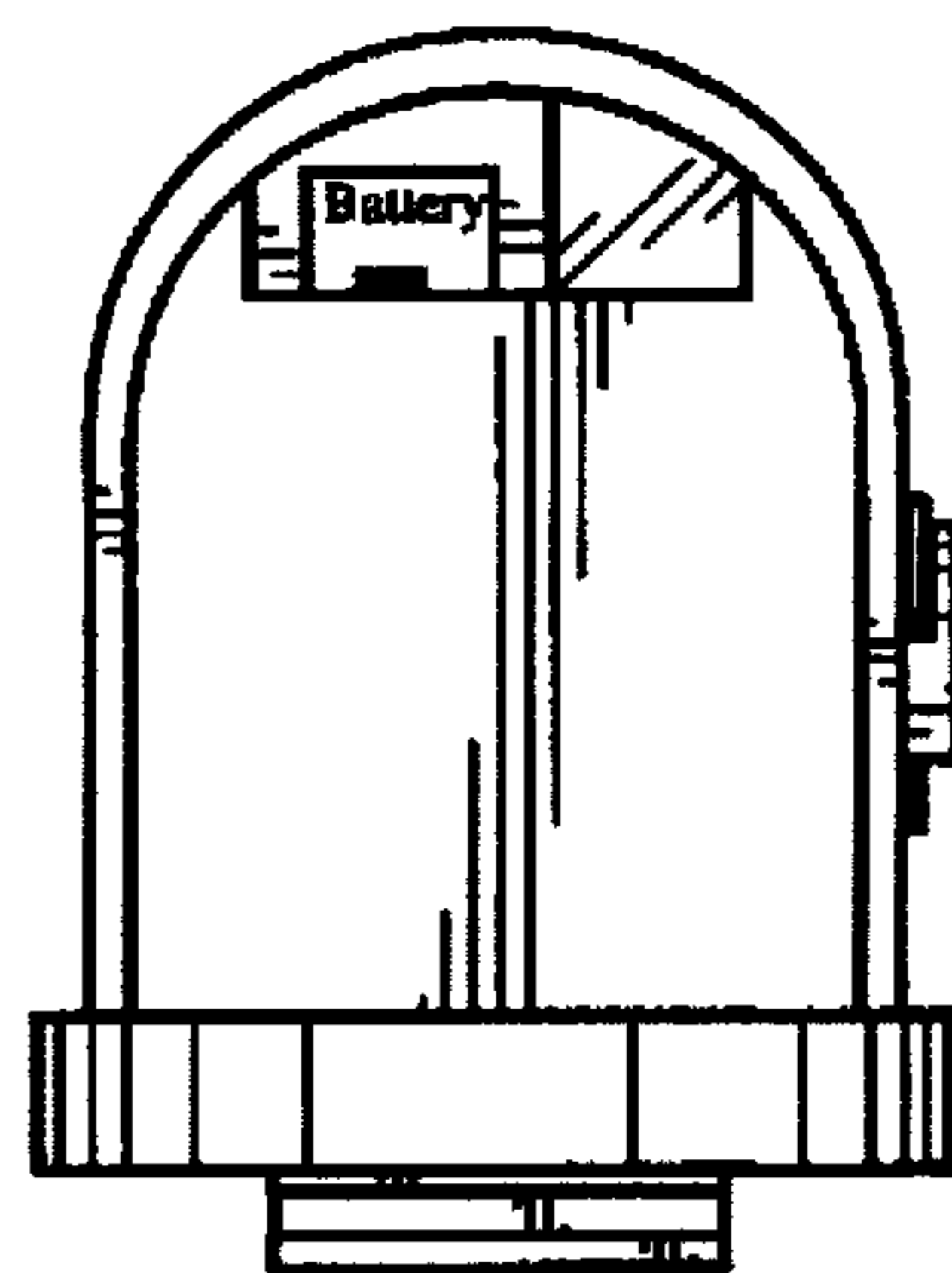


FIG. 5

FIG. 6

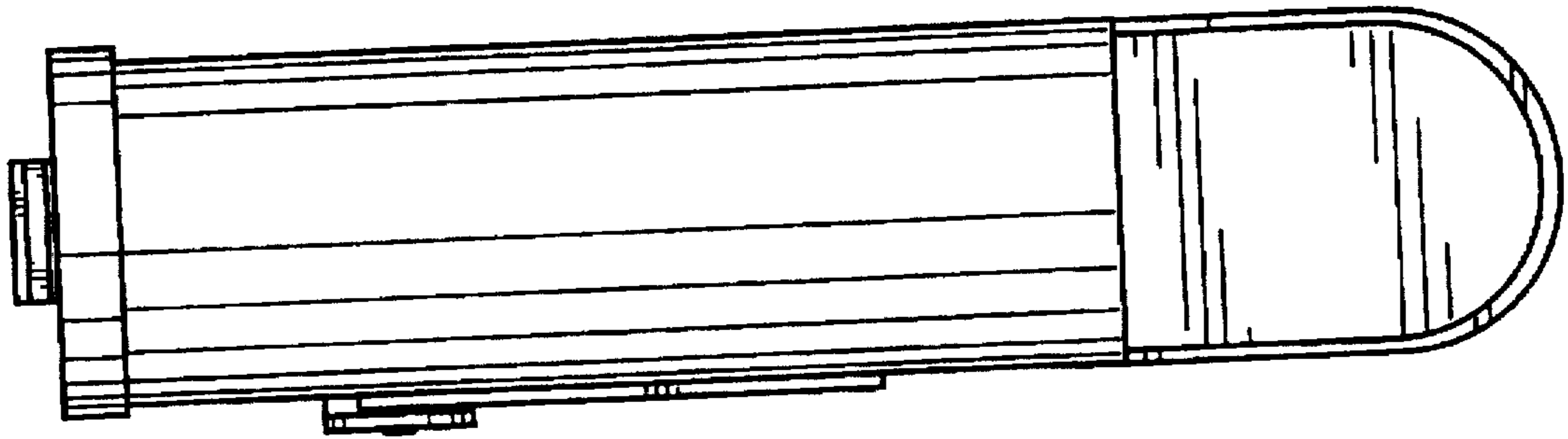


FIG. 7

