



US00D385676S

United States Patent [19]

[11] Patent Number: Des. 385,676

Childress et al.

[45] Date of Patent: **Oct. 28, 1997

[54] MAILBOX COVER WITH INTERCHANGEABLE DISPLAY SIGNS

[76] Inventors: **Brian K. Childress**, 104 Chase Ct., Peachtree City, Ga. 30269; **Ronald C. Childress**, 2605 Grey Twig La., Ft. Pierce, Fla. 34981

[**] Term: 14 Years

[21] Appl. No.: 42,674

[22] Filed: Aug. 14, 1995

[51] LOC (6) Cl. 99-00

[52] U.S. Cl. D99/29

[58] Field of Search D99/29-33, 232; 232/1 C, 1 D, 4 R, 5, 17, 19, 25-28, 34, 35, 37-39, 43.4

[56] References Cited

U.S. PATENT DOCUMENTS

D. 312,912	12/1990	Klahre	D99/30 X
D. 313,105	12/1990	Klahre	D99/30 X
D. 322,418	12/1991	White	D99/30 X
4,813,595	3/1989	Johns, Jr. et al.	D99/29 X
4,991,769	2/1991	Todd	232/17
5,035,356	7/1991	Granger	D99/30 X

Primary Examiner—James M. Gandy
Assistant Examiner—Caron D. Veynar
Attorney, Agent, or Firm—Brian K. Childress; Ron C. Childress; Classic Designs, Inc.

[57] CLAIM

The ornamental design for a mailbox cover with interchangeable display signs, as shown and described.

DESCRIPTION

FIG. 1 is a top, front right side perspective view of the mailbox cover with interchangeable display signs, it being understood that the broken line showing of a mailbox is for illustrative purposes only and forms no part of the claimed design;

FIG. 2 is a bottom rear left side perspective view thereof; FIG. 3 is a top plan view thereof, on a reduced scale with the interchangeable display signs omitted for clarity of illustration;

FIG. 4 is a bottom plan view of FIG. 3;

FIG. 5 is a right side elevational view of FIG. 3;

FIG. 6 is a front elevational view of FIG. 3;

FIG. 7 is a rear elevational view of FIG. 3;

FIG. 8 is an enlarged end elevational view of one of the interchangeable display signs shown separately for clarity of illustration;

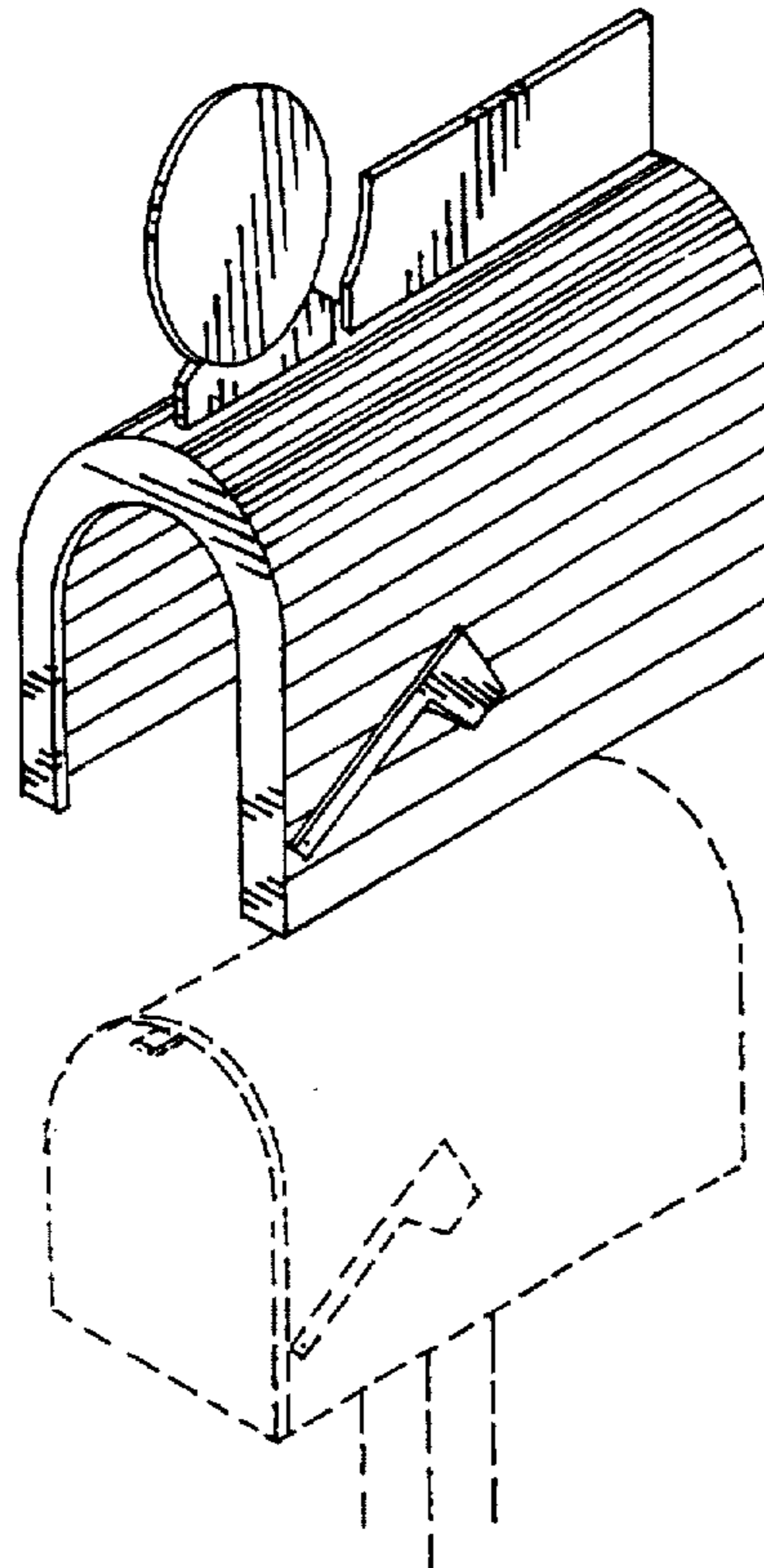
FIG. 9 is a side elevational view of FIG. 8;

FIG. 10 is an enlarged side elevational view of the second interchangeable display sign shown separately for clarity of illustration;

FIG. 11 is an end elevational view of FIG. 10; and,

FIG. 12 is a side elevational view of FIG. 2 with the interchangeable display signs omitted for convenience of illustration.

1 Claim, 4 Drawing Sheets



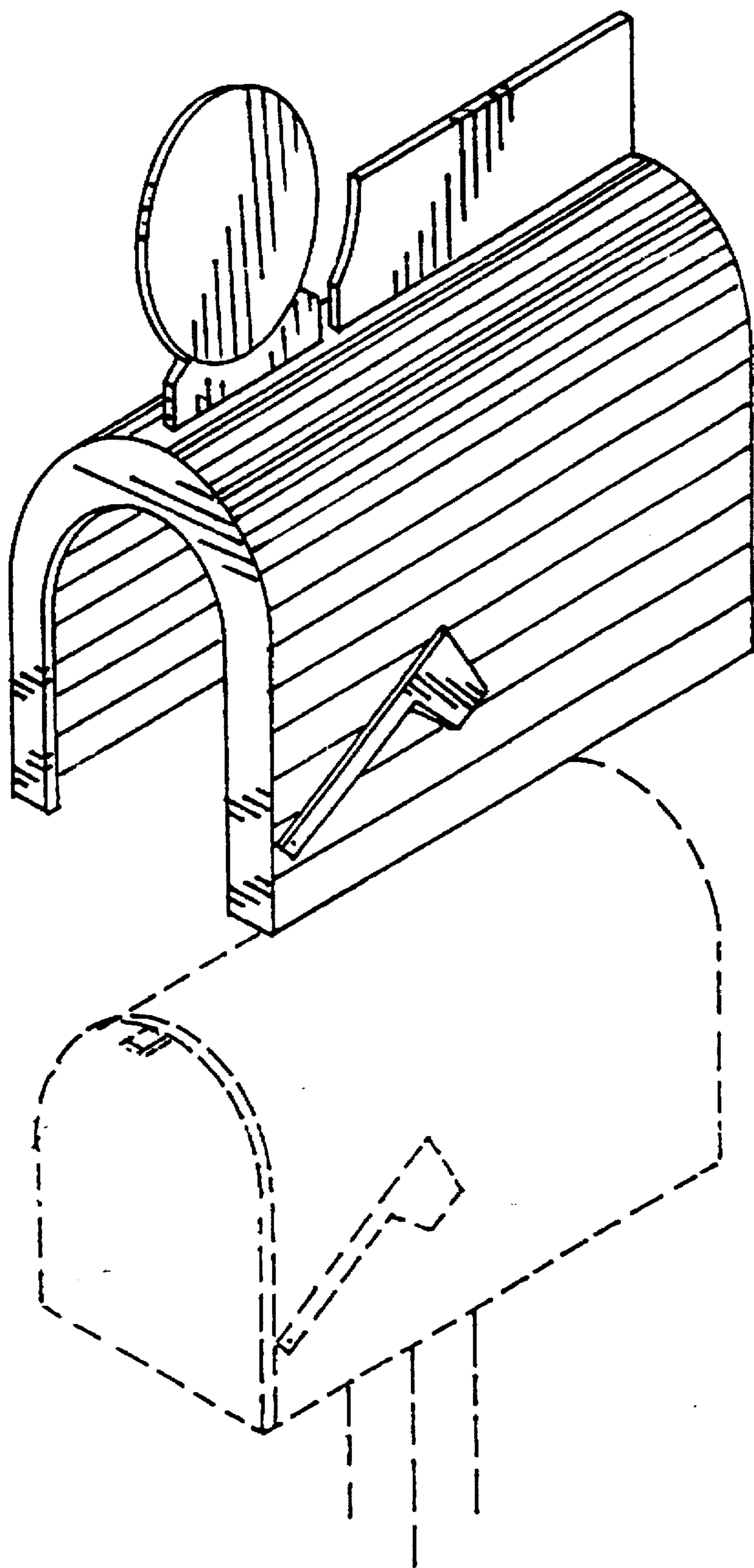


FIG. 1

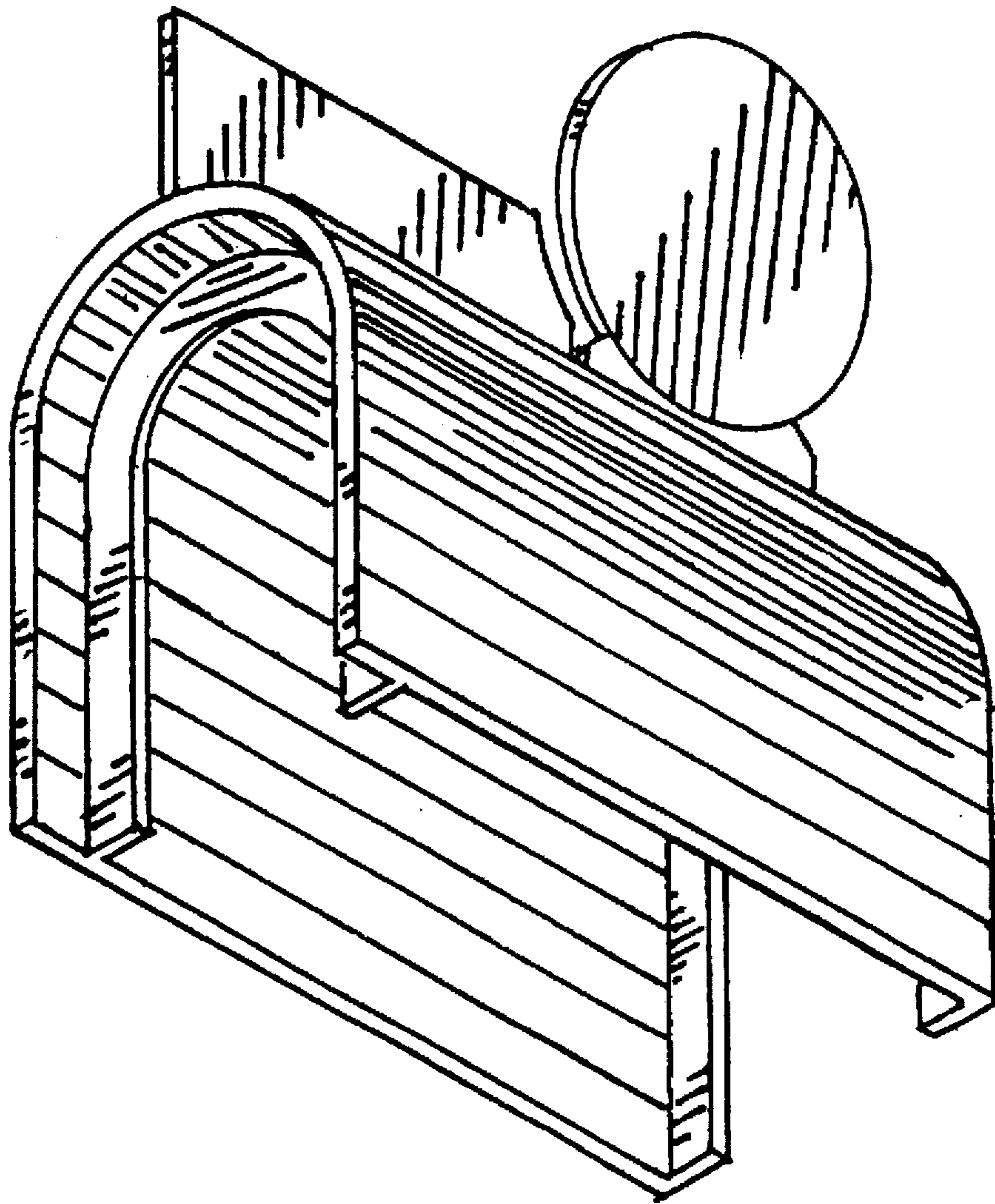


FIG.2

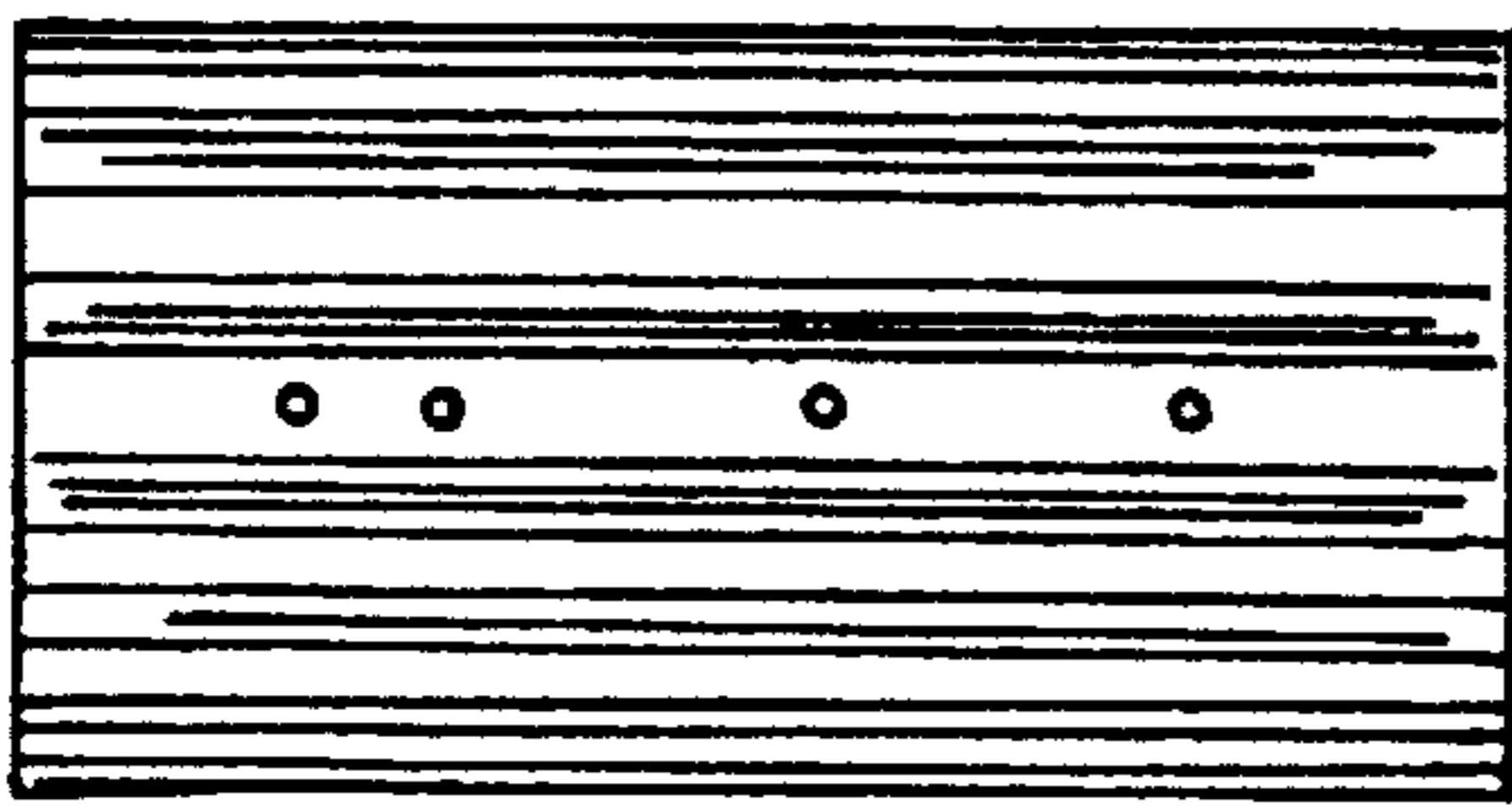


FIG.3

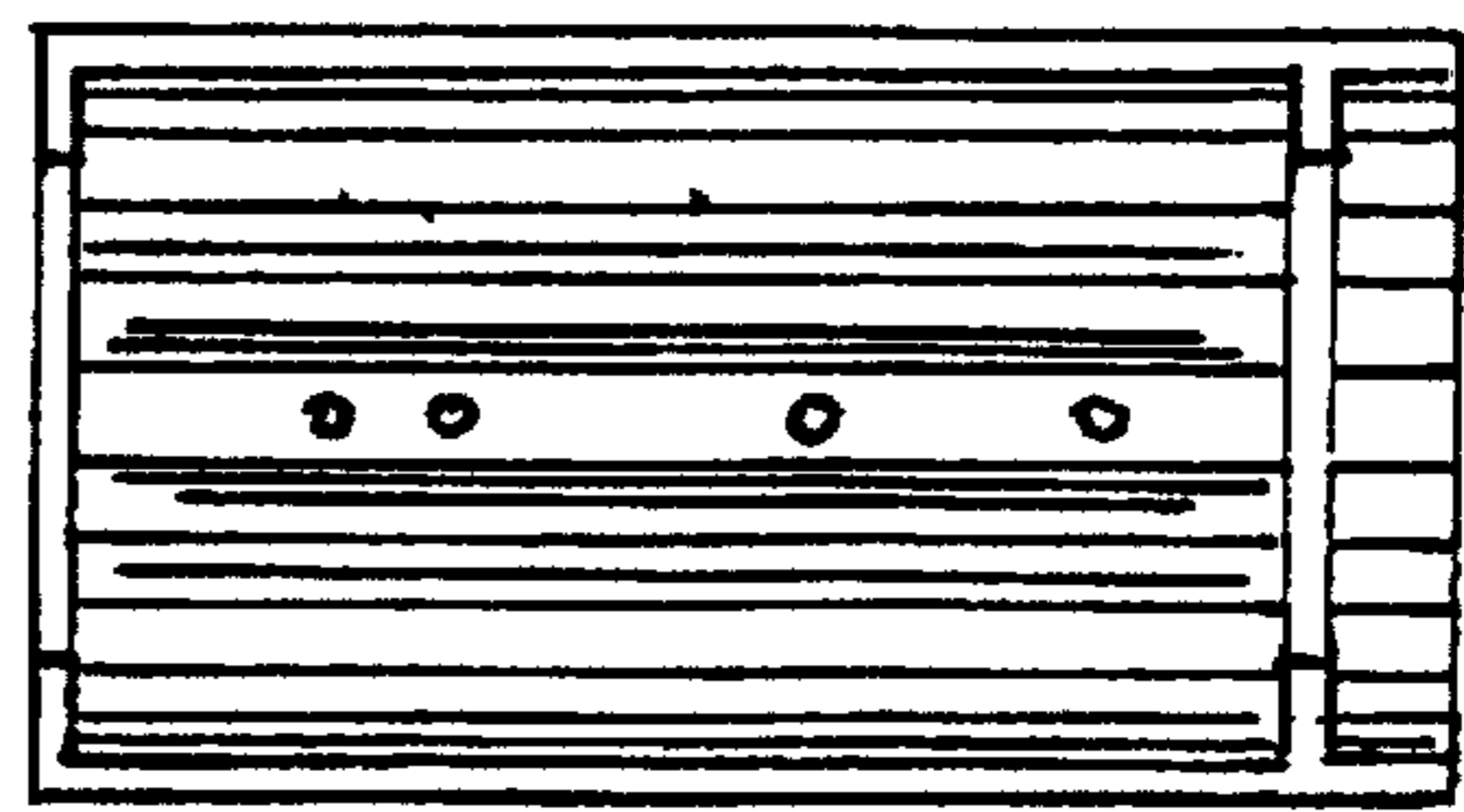


FIG.4

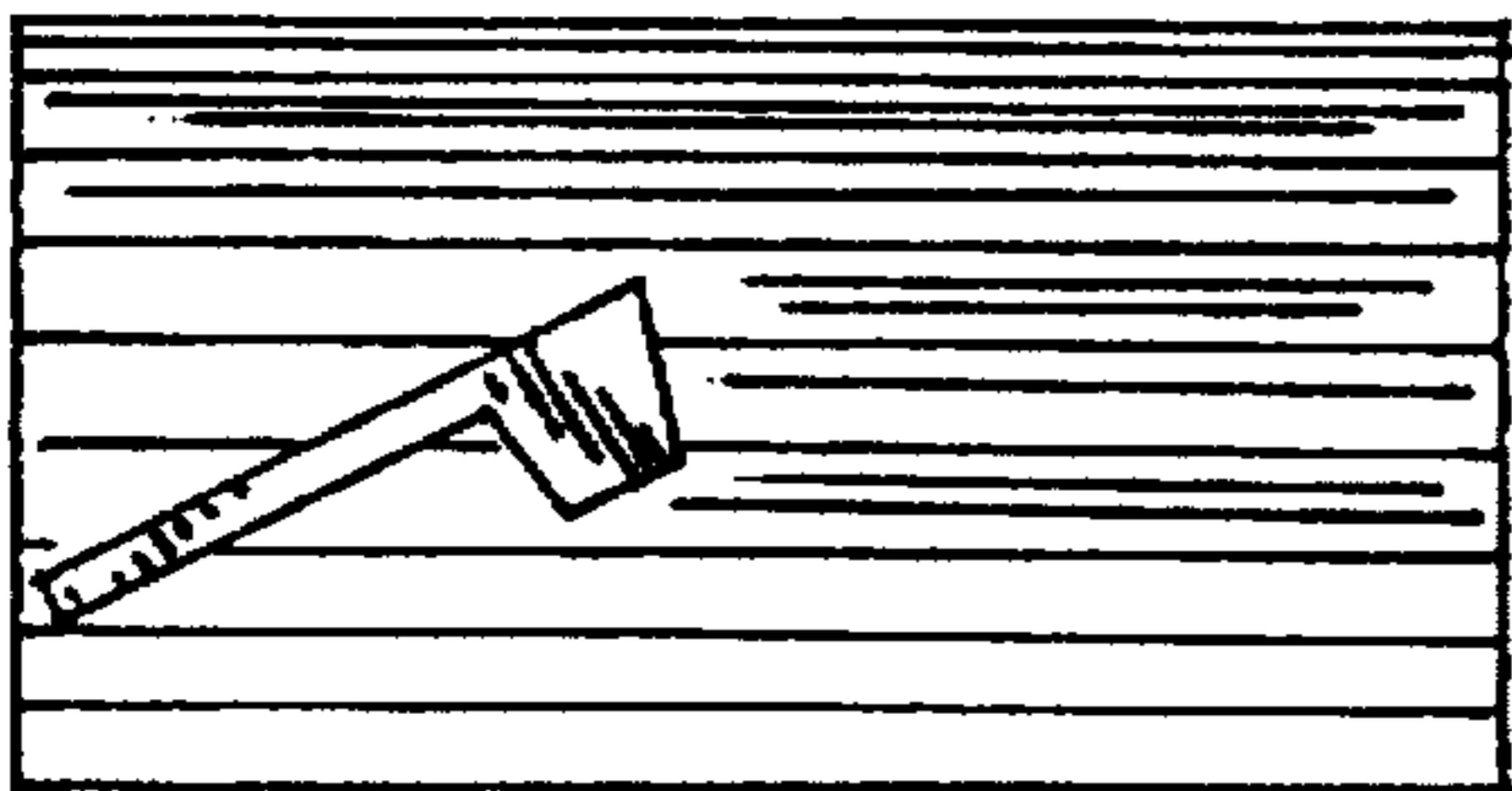


FIG.5

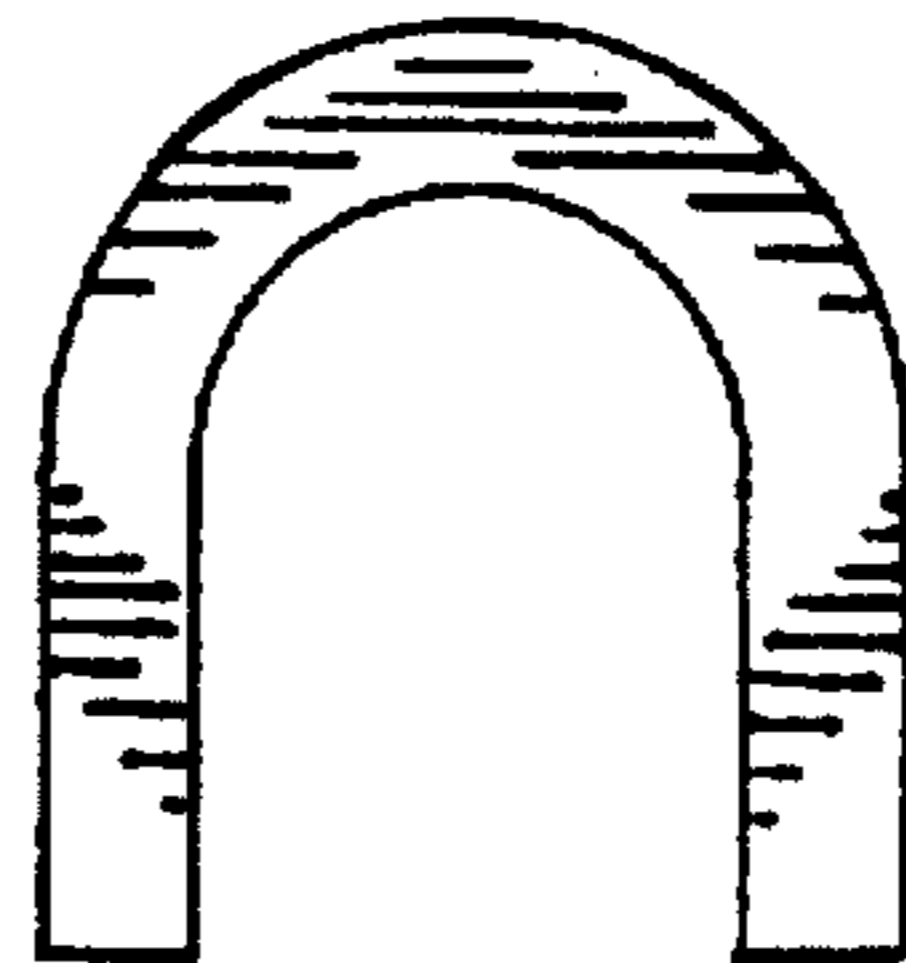


FIG.6

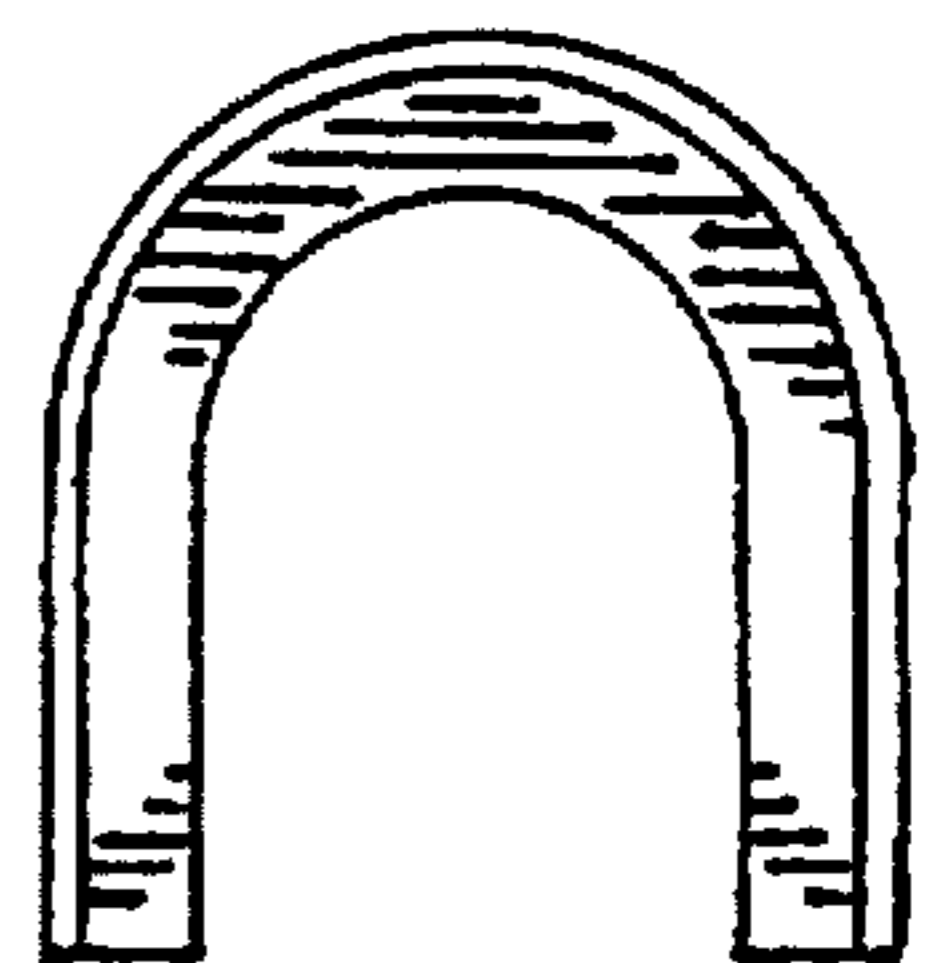


FIG.7



FIG. 8

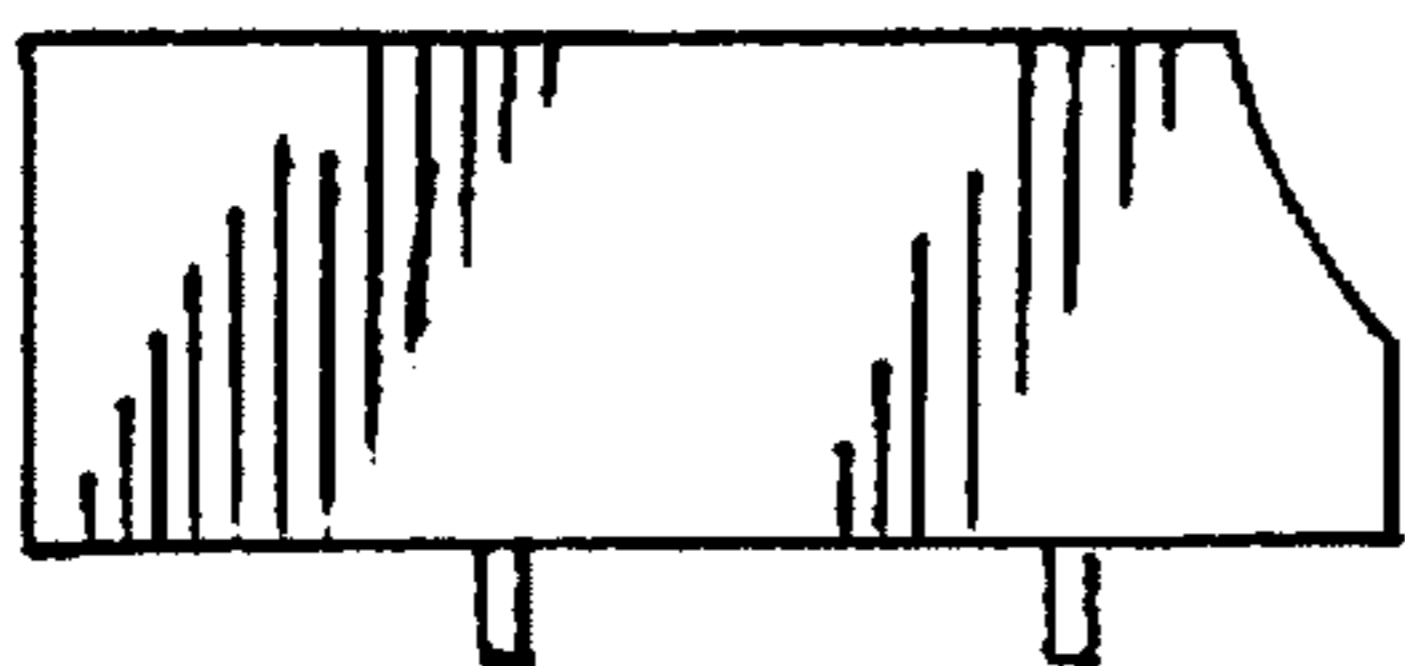


FIG. 9

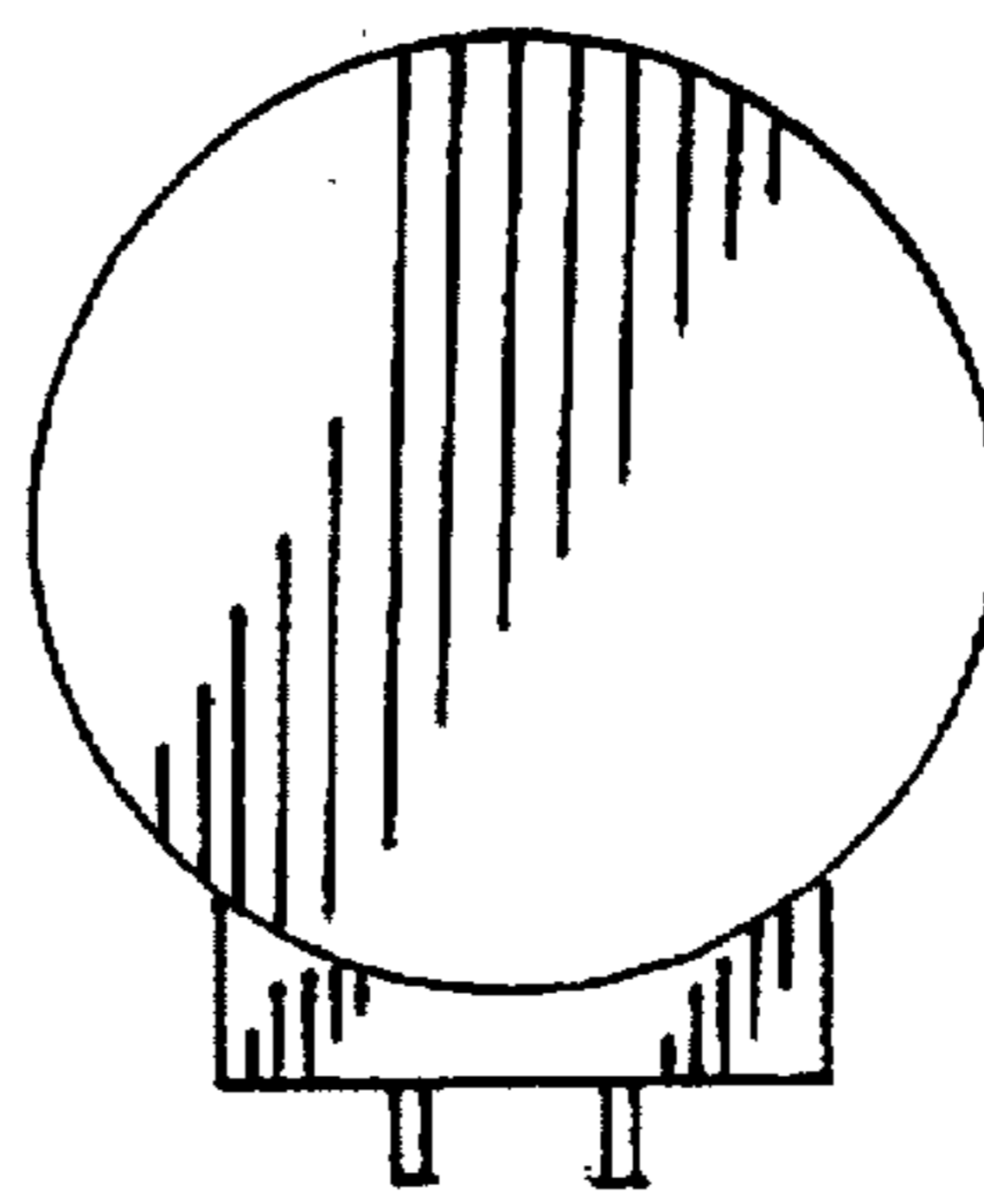


FIG. 10



FIG. 11

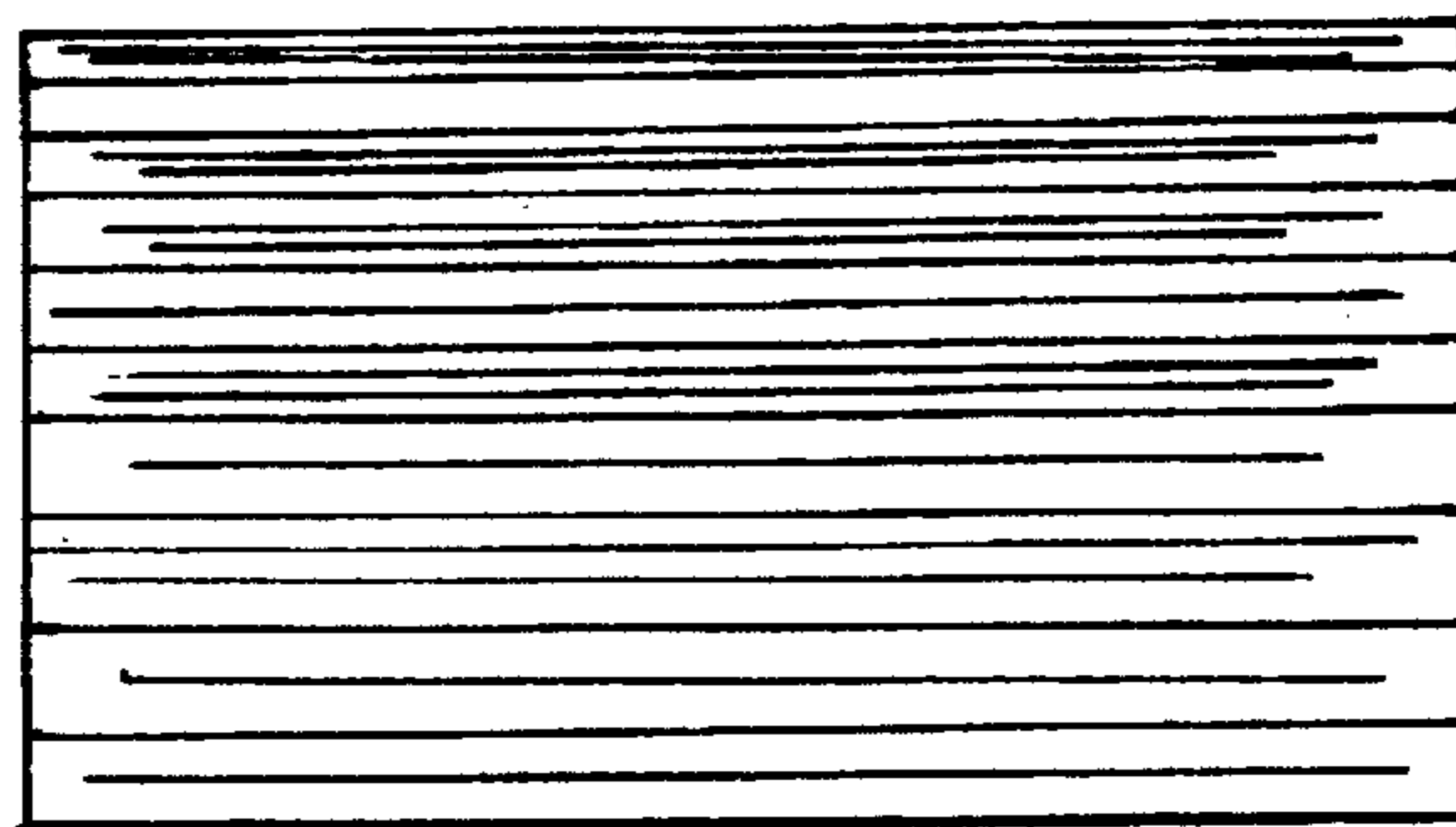


FIG. 12