



US00D385675S

United States Patent [19]

Busby et al.

[11] Patent Number: **Des. 385,675**

[45] Date of Patent: ****Oct. 28, 1997**

[54] **SELF-SERVICE KIOSK**

[75] Inventors: **Miles T. Busby; Michael E. Bailey,**
both of Charlotte, N.C.

[73] Assignee: **Source Technologies, Inc.,** Charlotte,
N.C.

[**] Term: **14 Years**

[21] Appl. No.: **51,956**

[22] Filed: **Mar. 20, 1996**

[51] LOC (6) Cl. **99-00**

[52] U.S. Cl. **D99/28**

[58] Field of Search D99/28, 35; 235/279,
235/381; 194/906; 109/24.1, 2, 38, 40,
10

[56] **References Cited**

U.S. PATENT DOCUMENTS

- D. 282,937 3/1986 Di Benedetto et al. D99/28 X
- D. 283,746 5/1986 Kobayashi D99/28
- D. 284,321 6/1986 Kobayashi D99/28

- D. 291,936 9/1987 Long D99/28
- D. 317,071 5/1991 McFadden et al. D99/28
- D. 327,766 7/1992 Swaine et al. D99/28
- D. 360,735 7/1995 Hall D99/28
- 4,085,687 4/1978 Beck et al. 109/24.1
- 4,754,126 6/1988 Caldwell D99/28 X

Primary Examiner—Doris V. Coles
Attorney, Agent, or Firm—Kilpatrick Stockton LLP

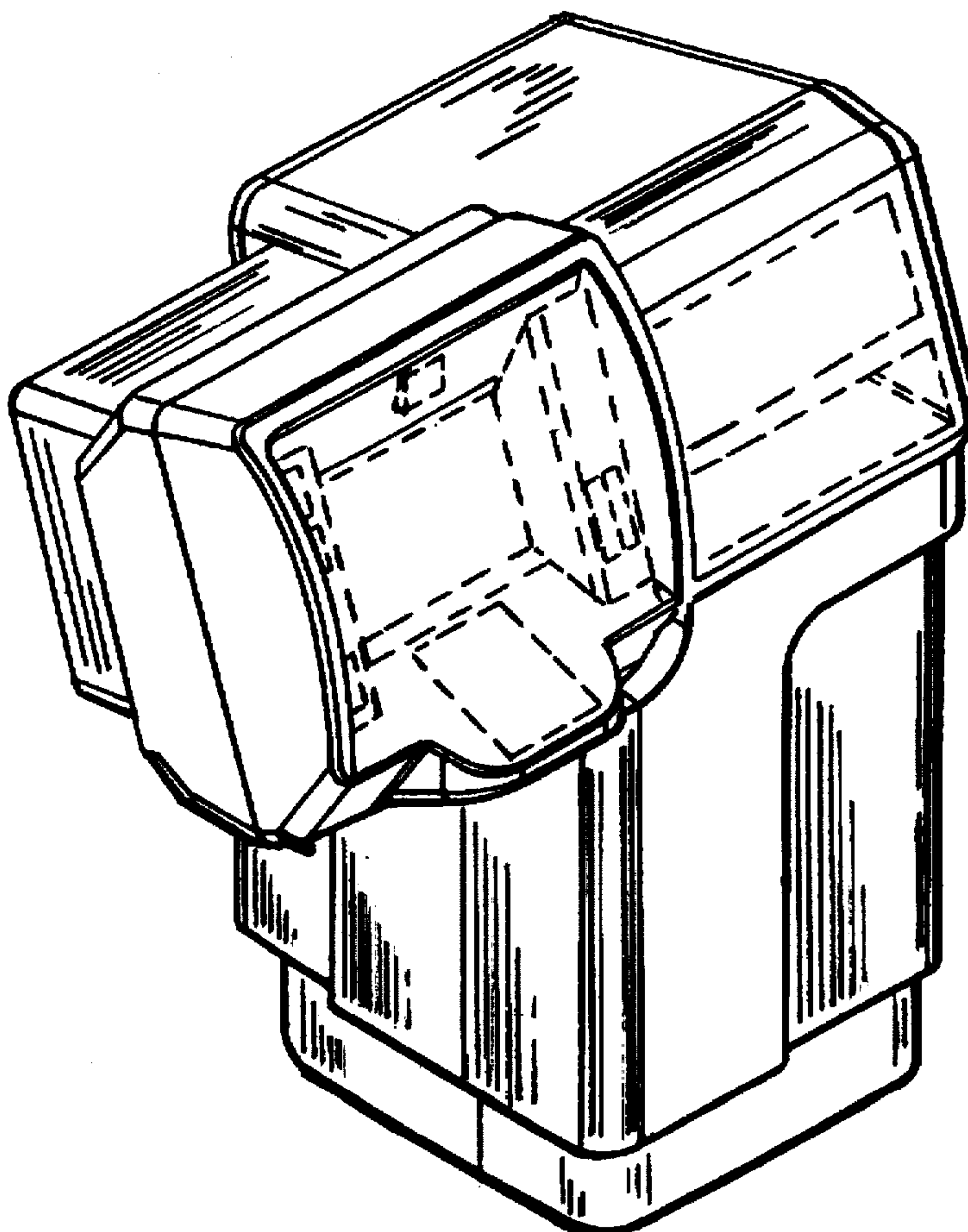
[57] **CLAIM**

The ornamental design for a self-service kiosk, as shown.

DESCRIPTION

FIG. 1 is a front elevational view of self-service kiosk showing our new design;
 FIG. 2 is a perspective view thereof;
 FIG. 3 is a right side elevational view thereof;
 FIG. 4 is a rear elevational view thereof;
 FIG. 5 is a left side elevational view thereof;
 FIG. 6 is a top elevational view thereof; and,
 FIG. 7 is a bottom elevational view thereof.
 The broken line showing of environment in FIGS. 1 and 2 is for illustrative purposes only and forms no part of the claimed design.

1 Claim, 3 Drawing Sheets



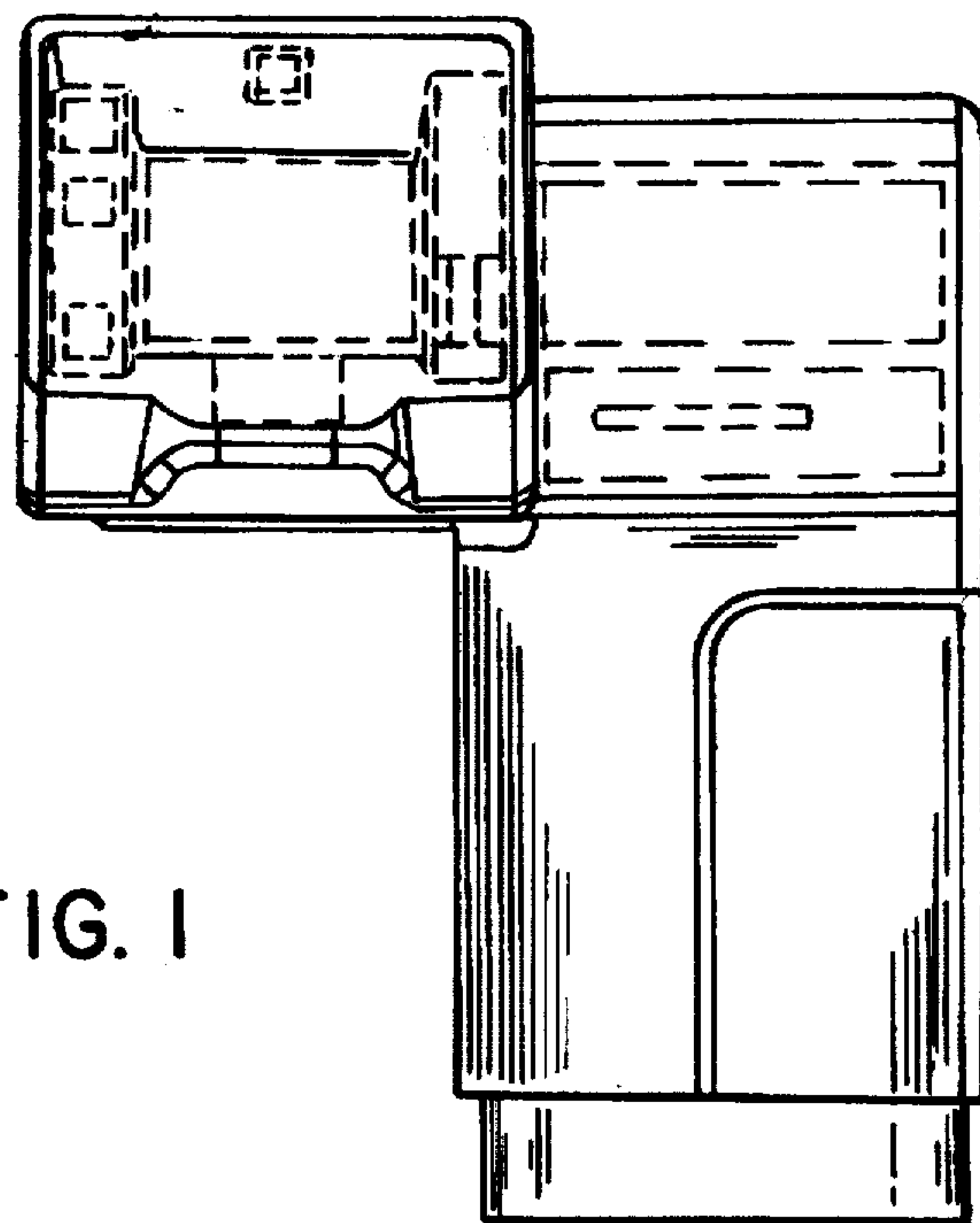


FIG. 1

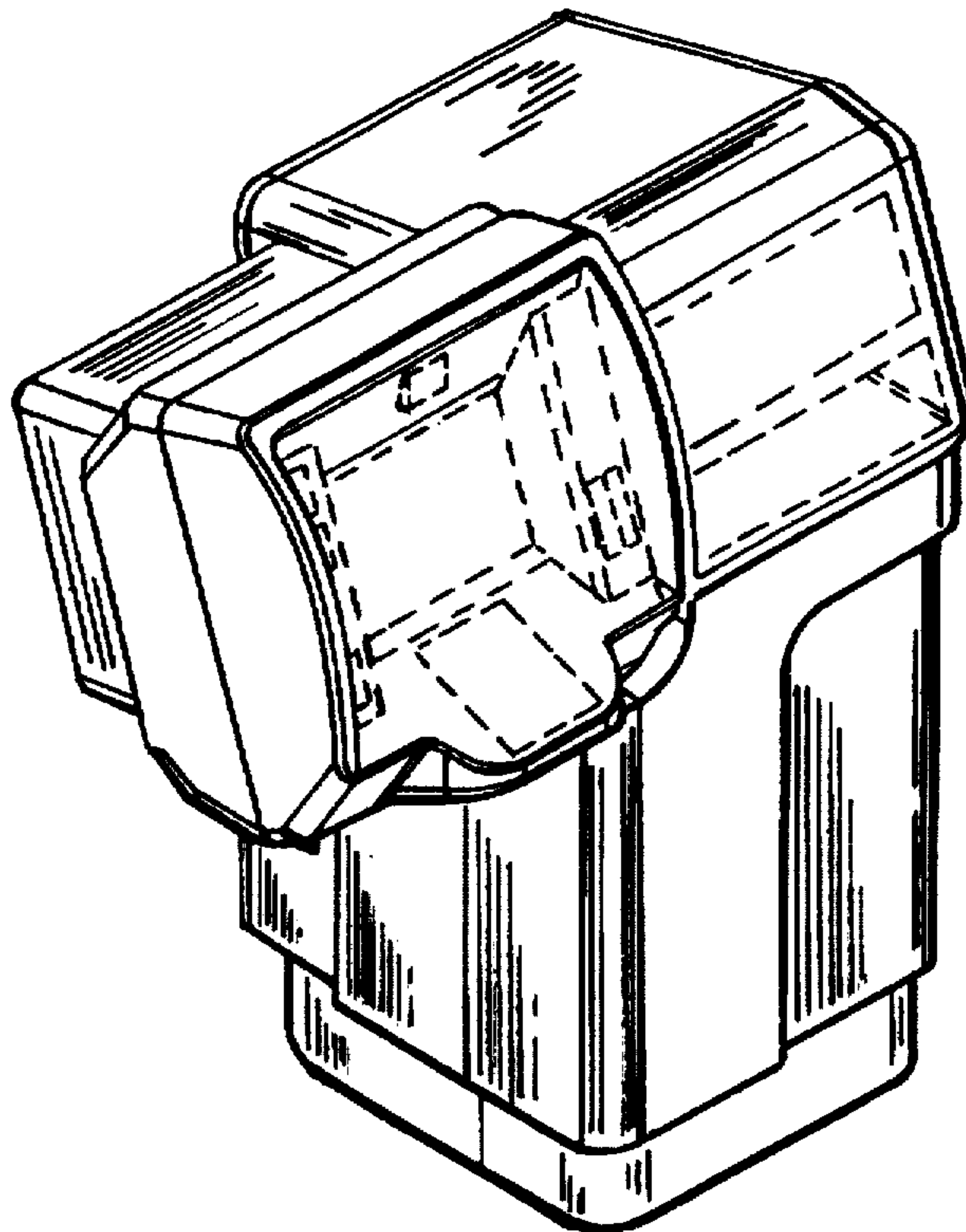


FIG. 2

FIG. 3

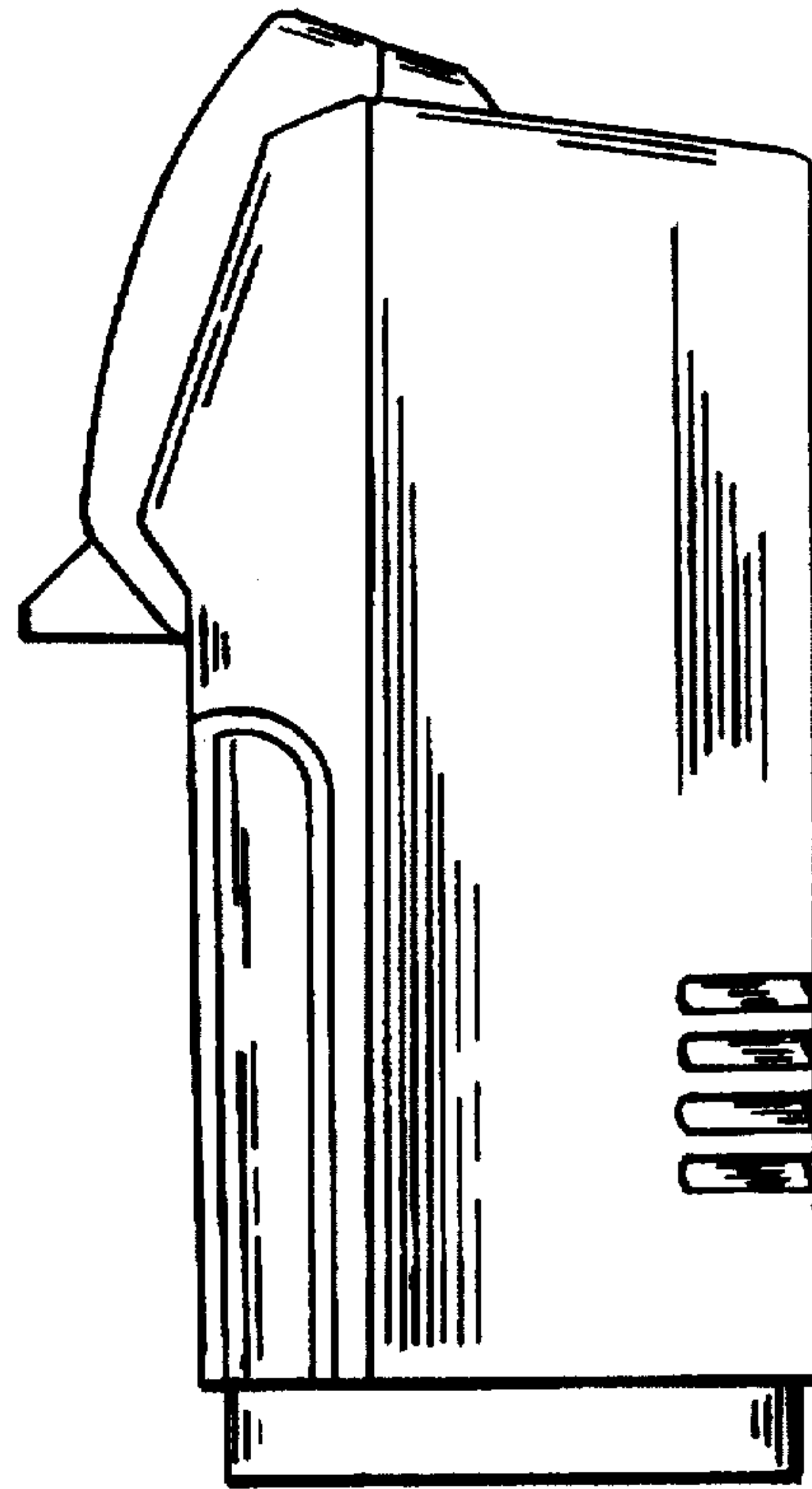
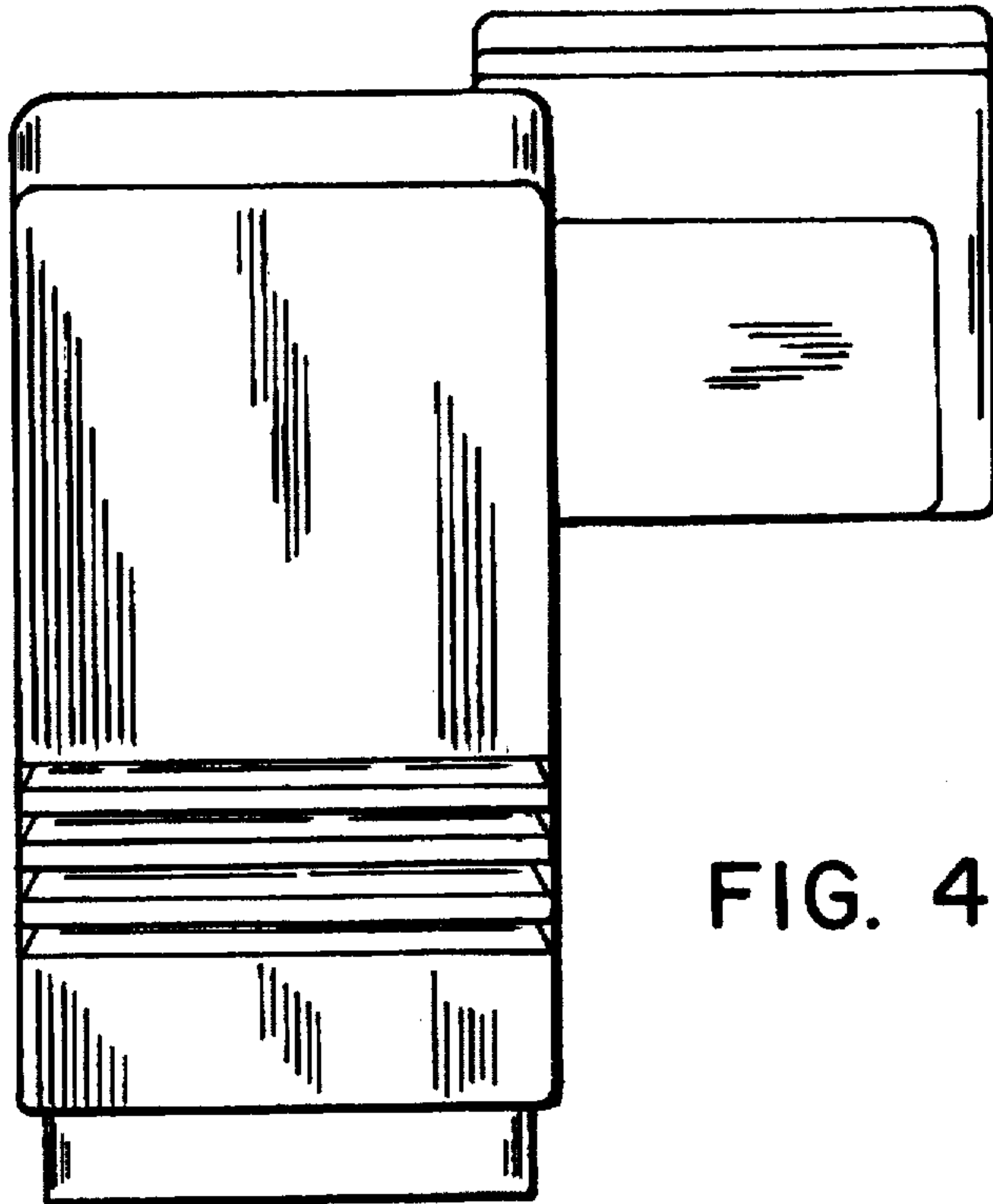


FIG. 4



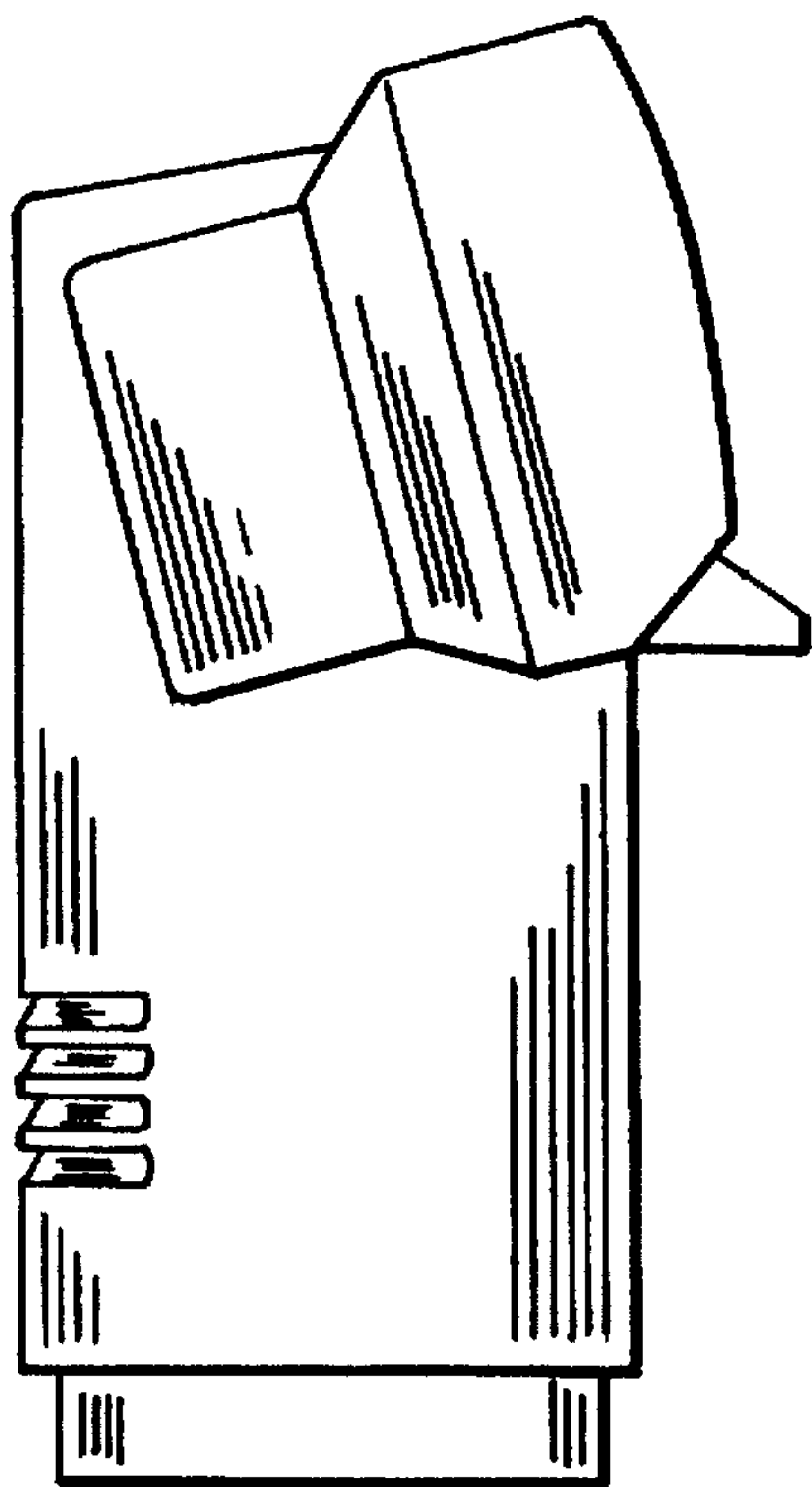


FIG. 5

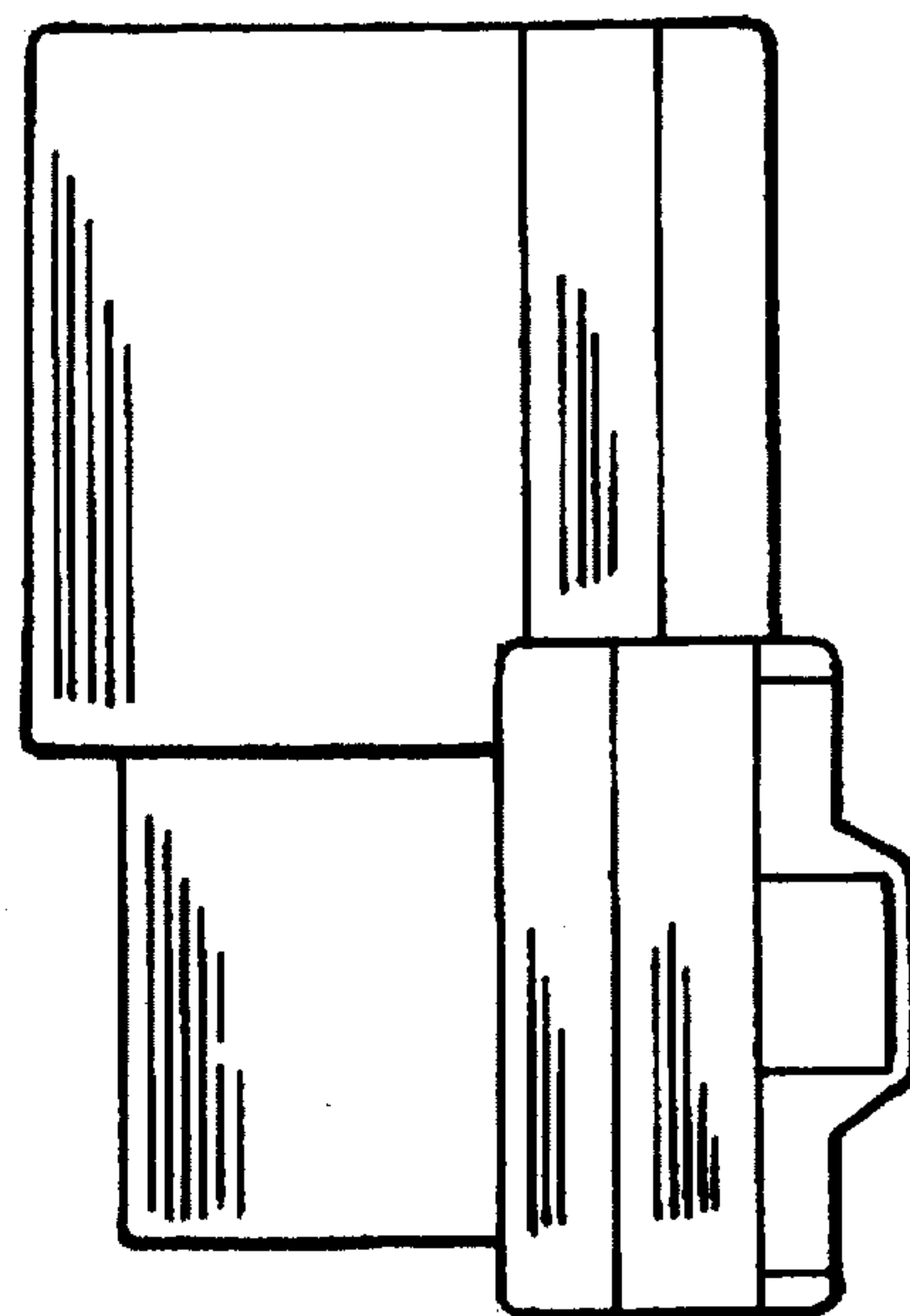


FIG. 6

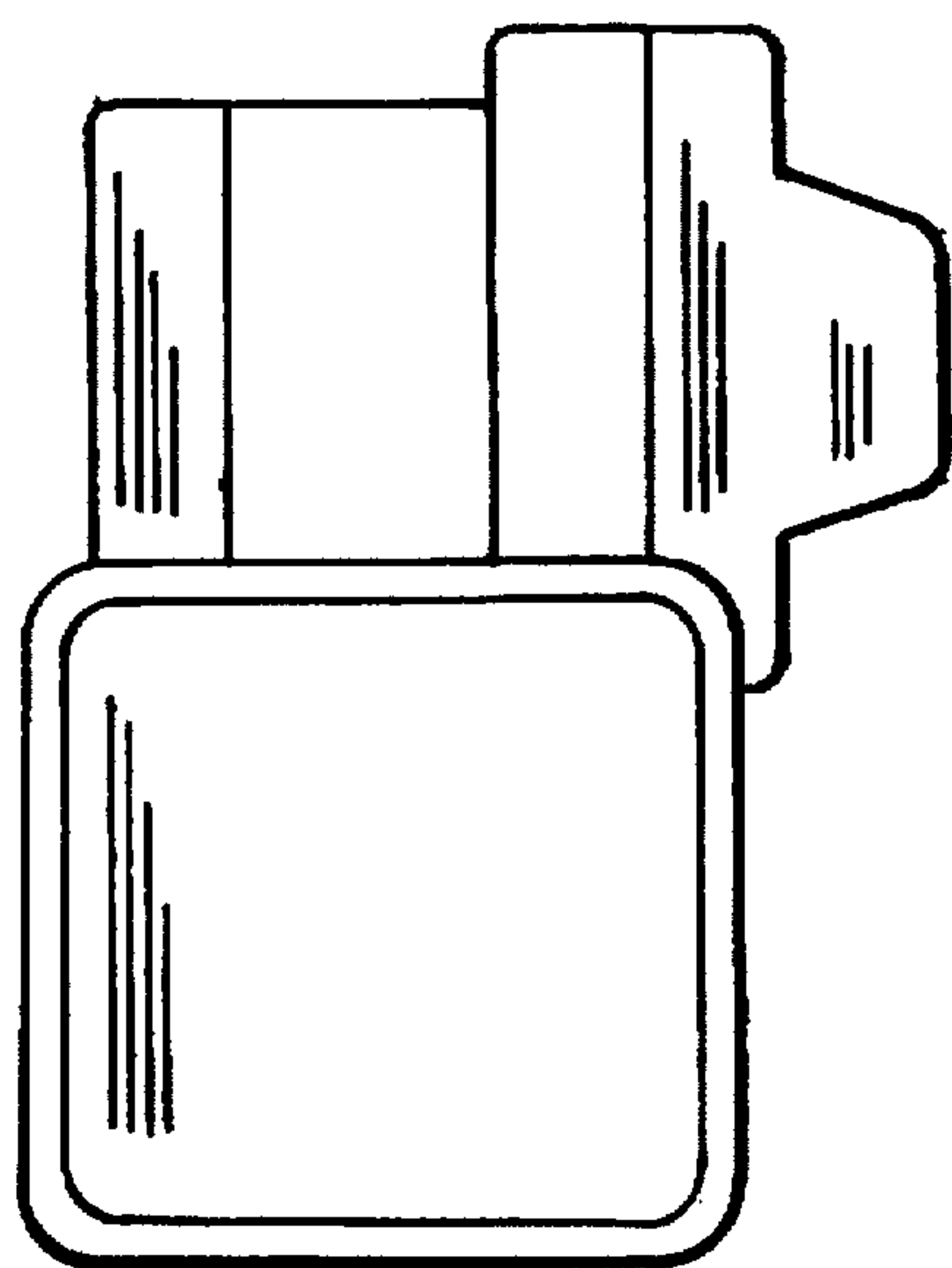


FIG. 7