

US00D385674S

# United States Patent [19]

[11] Patent Number: **Des. 385,674**

Sugawara et al.

[45] Date of Patent: **\*\*Oct. 28, 1997**

[54] **COMBINATION CASH-HANDLING MACHINE AND BANKNOTE DISPENSING CASSETTE**

[75] Inventors: **Koki Sugawara; Masaaki Iwamoto; Yoshinori Koshida**, all of Tokyo, Japan

[73] Assignee: **Oki Electric Industry Co., Ltd.**, Tokyo, Japan

[\*\*] Term: **14 Years**

[21] Appl. No.: **44,398**

[22] Filed: **Sep. 22, 1995**

### Related U.S. Application Data

[63] Continuation-in-part of Ser. No. 27,599, Aug. 25, 1994, abandoned, and Ser. No. 27,600, Aug. 25, 1994, Pat. No. Des. 376,246.

### [30] Foreign Application Priority Data

May 12, 1994	[JP]	Japan	.....	6-013187
May 12, 1994	[JP]	Japan	.....	6-013188

[51] LOC (6) Cl. .... **99-00**

[52] U.S. Cl. .... **D99/28**

[58] Field of Search ..... D99/28, 34, 35; D18/3, 4, 46, 99; 109/45, 58; 186/37; 194/206, 350; 209/534, 551; 221/185, 195, 197-8; 234/7 R, 31 R, 89 R, 379, 380; 271/278

### [56] References Cited

#### U.S. PATENT DOCUMENTS

D. 249,970	10/1978	Wetzel	.....	D99/28
D. 266,004	8/1982	Onda et al.	.....	D18/3
D. 279,790	7/1985	Kajita	.....	D18/3
D. 328,399	8/1992	McGrory et al.	.....	D99/28
D. 349,128	7/1994	Akioka et al.	.....	D18/46
D. 354,839	1/1995	Baudin	.....	D99/99
4,648,550	3/1987	Cleary, Jr.	.....	109/58

#### OTHER PUBLICATIONS

Catalogue, "D224 Compact Cash Dispenser", Dassault Automatismes ET Telecommunications Nov. 4, 1993.  
Catalogue, "Teller Cash", Frisco Bay date unknown.

Catalogue, "Teller Cash Jr." Frisco Bay, date unknown.  
Catalogue, "Currency Dispensing System", Korden, date unknown.

*Primary Examiner*—James Gandy  
*Assistant Examiner*—R. Spears  
*Attorney, Agent, or Firm*—Wenderoth, Lind & Ponack

### [57] CLAIM

The ornamental design for a combination cash-handling machine and banknote dispensing cassette, as shown and described.

### DESCRIPTION

FIG. 1 is a top, front, right side perspective view of a combination cash-handling machine and banknote dispensing cassette showing our new design, the top of the cash-handling machine being in an open condition, exposing the banknote dispensing cassette in an alternate position of use; FIG. 2 is a top, front, left side perspective view of the cash-handling machine of FIG. 1 shown in a closed condition;

FIG. 3 is a front elevational view thereof;

FIG. 4 is a rear elevational view thereof;

FIG. 5 is a top plan view thereof;

FIG. 6 is a bottom plan view thereof;

FIG. 7 is a left side elevational view thereof;

FIG. 8 is a right side elevational view thereof;

FIG. 9 is a top, front, right side perspective view of the banknote dispensing cassette of FIG. 1, shown separated from the combination cash-handling machine and banknote dispensing cassette for ease of disclosure;

FIG. 10 is a front elevational view of the cassette of FIG. 9;

FIG. 11 is a rear elevational view of the cassette of FIG. 9;

FIG. 12 is a top plan view of the cassette of FIG. 9;

FIG. 13 is a bottom plan view of the cassette of FIG. 9;

FIG. 14 is a left side elevational view of the cassette of FIG. 9;

FIG. 15 is a right side elevational view of the cassette of FIG. 9;

FIG. 16 is a bottom perspective view of the banknote dispensing cassette, shown in a reduced scale in an alternate position of use;

FIG. 17 is a fragmentary front perspective view of the banknote dispensing cassette with the handle in an open condition for ease of disclosure;

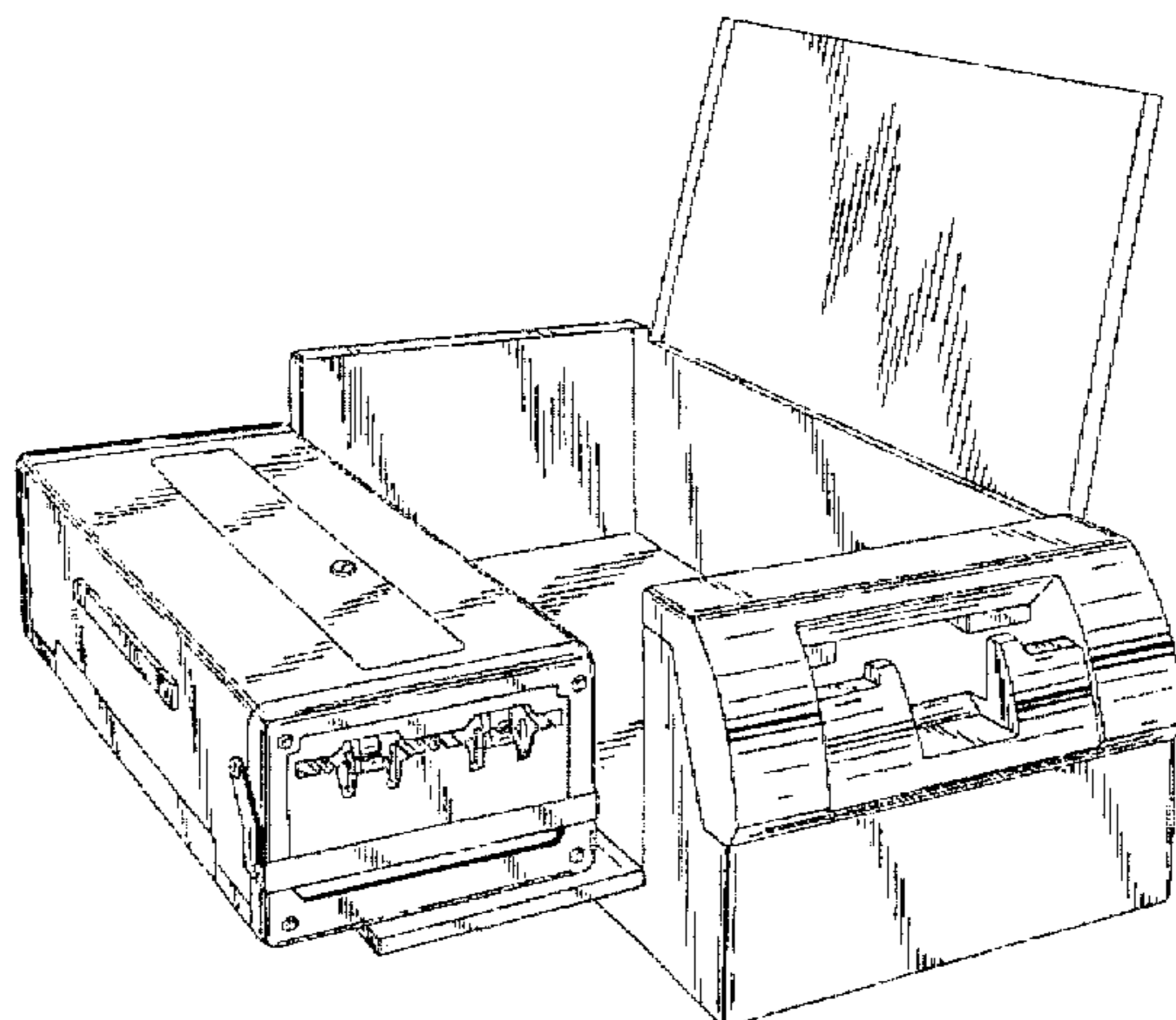


FIG. 18 is a bottom, front, right side perspective view of the banknote dispensing cassette in an open condition for ease of disclosure;

FIG. 19 is a top, front, right side perspective view of the banknote dispensing cassette in an open condition for ease of disclosure; and,

FIG. 20 is a top, front, right side perspective view of the combined cash-handling machine and banknote dispensing cassette, shown partially broken away for ease of disclosure and shown at a reduced scale in an alternate position of use.

The broken lines disclose environmental structure which is for illustrative purposes only and is not part of the claimed design.

**1 Claim, 16 Drawing Sheets**

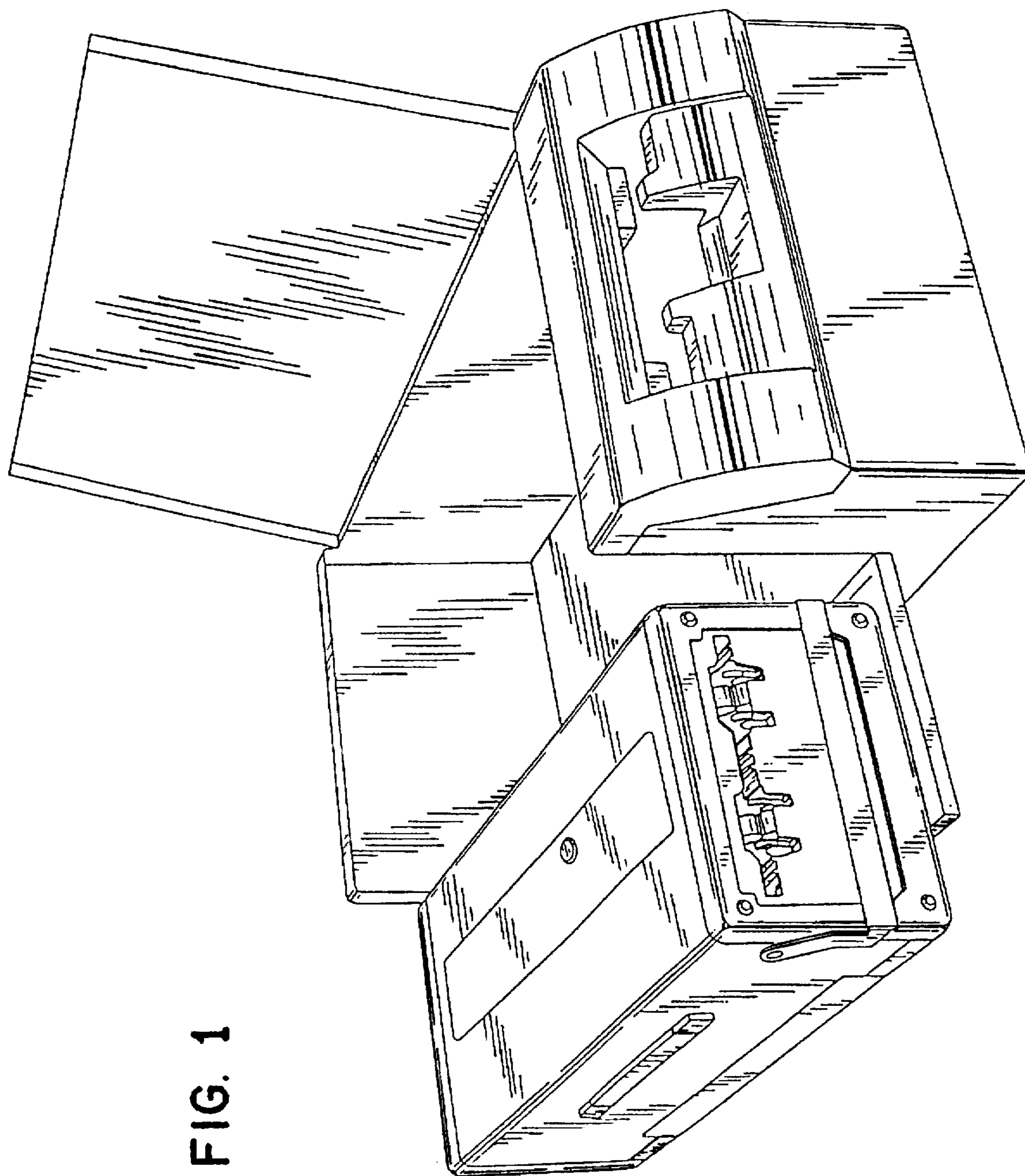


FIG. 1

FIG. 2

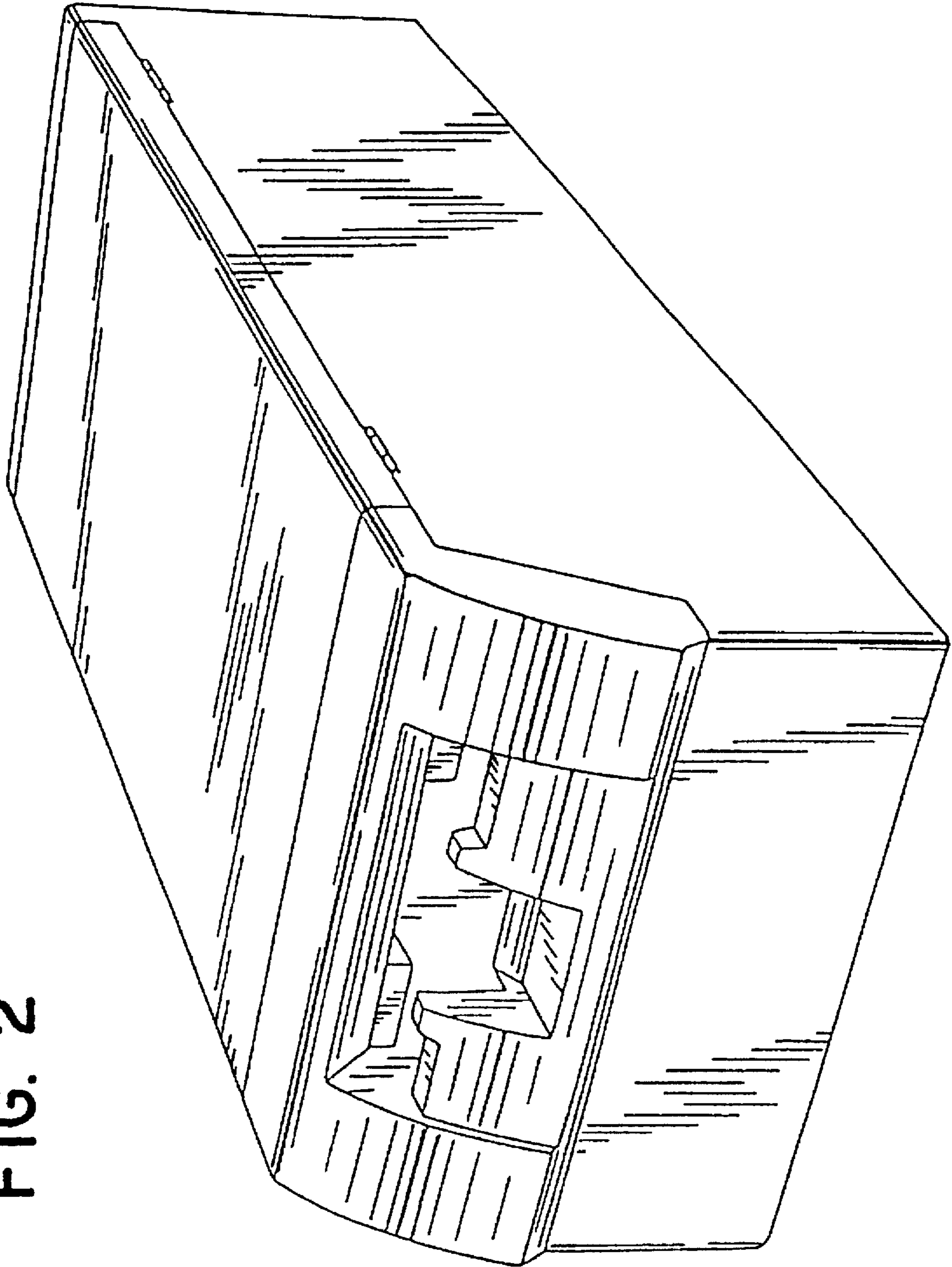


FIG. 4

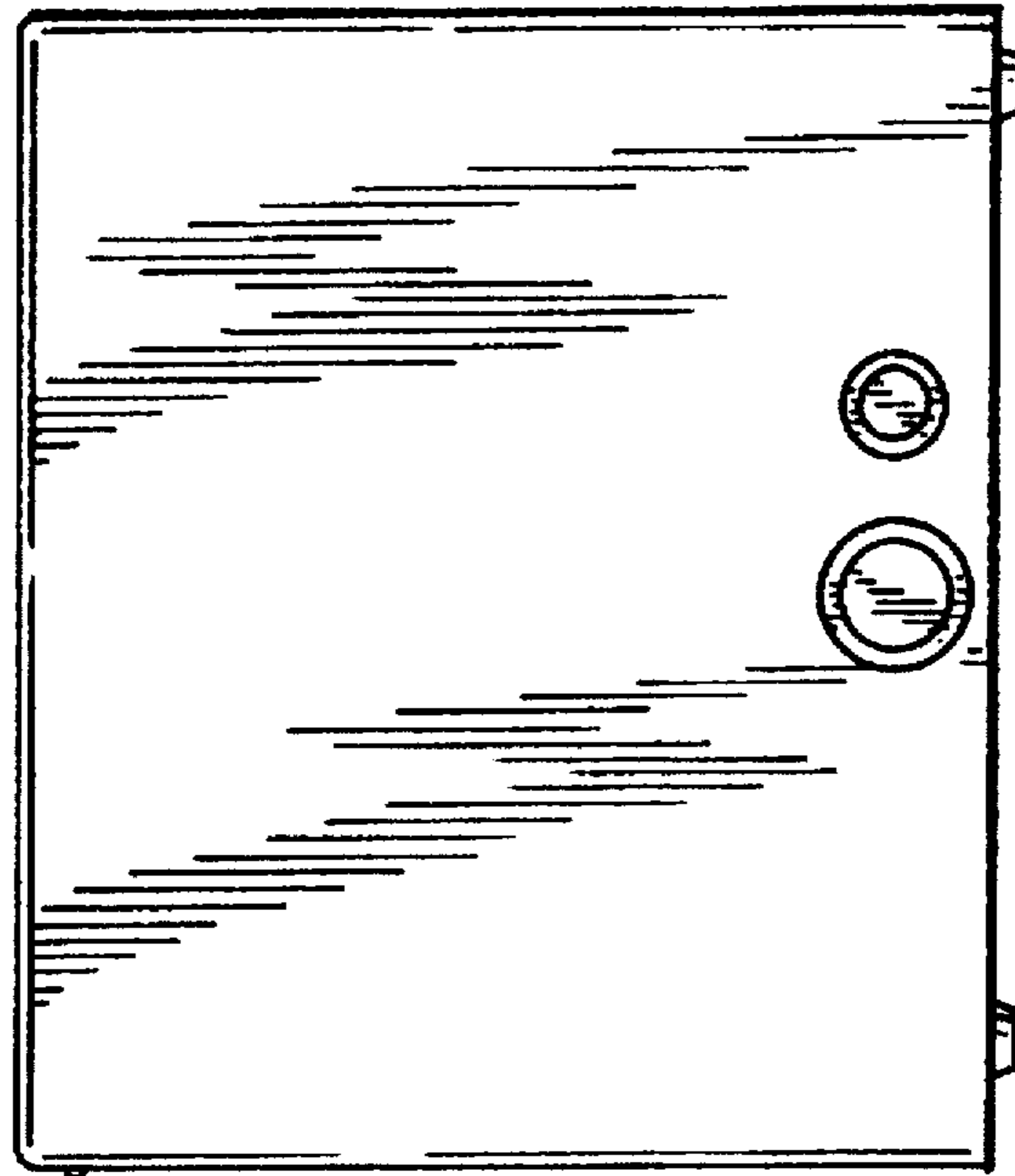


FIG. 3

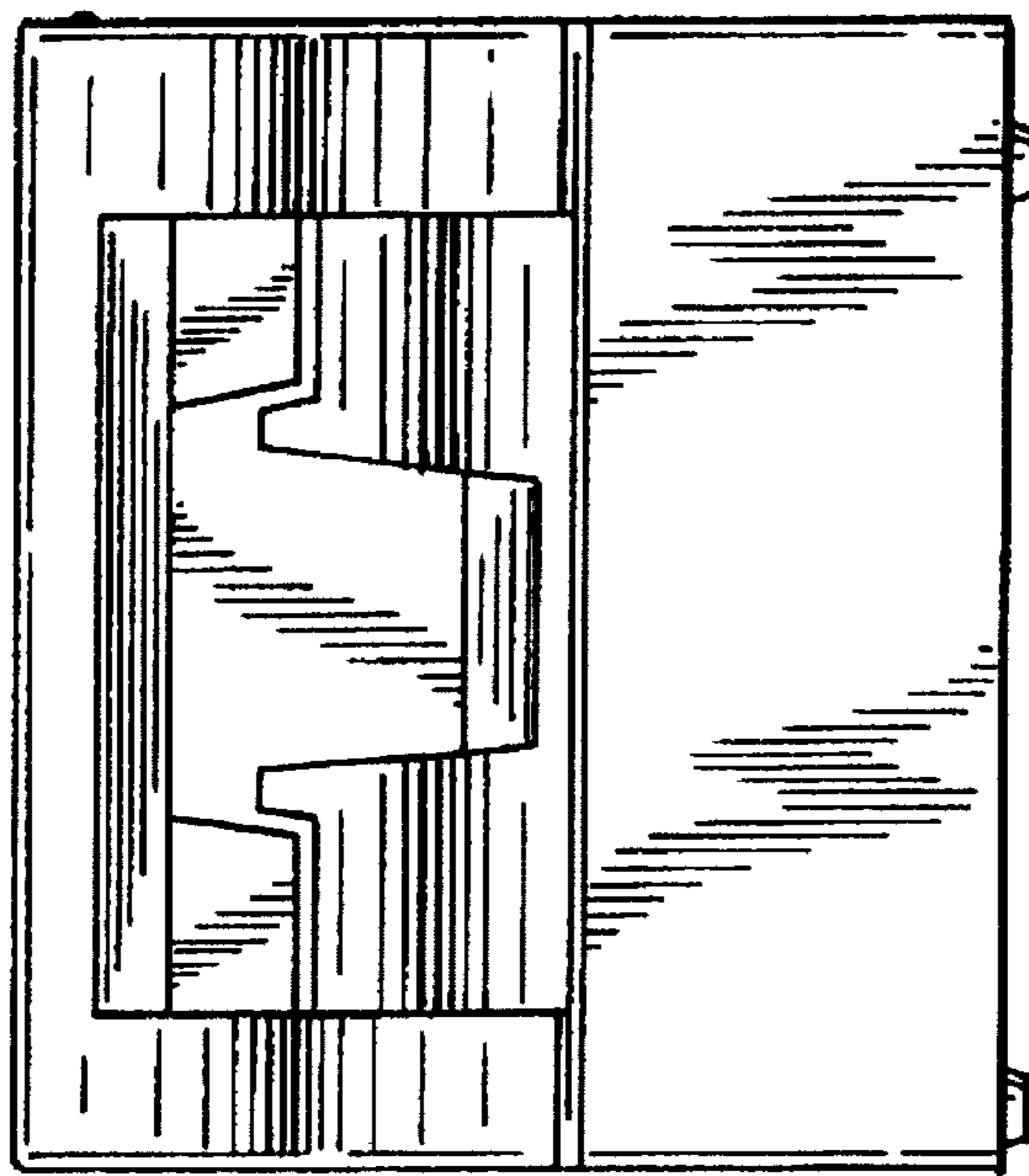
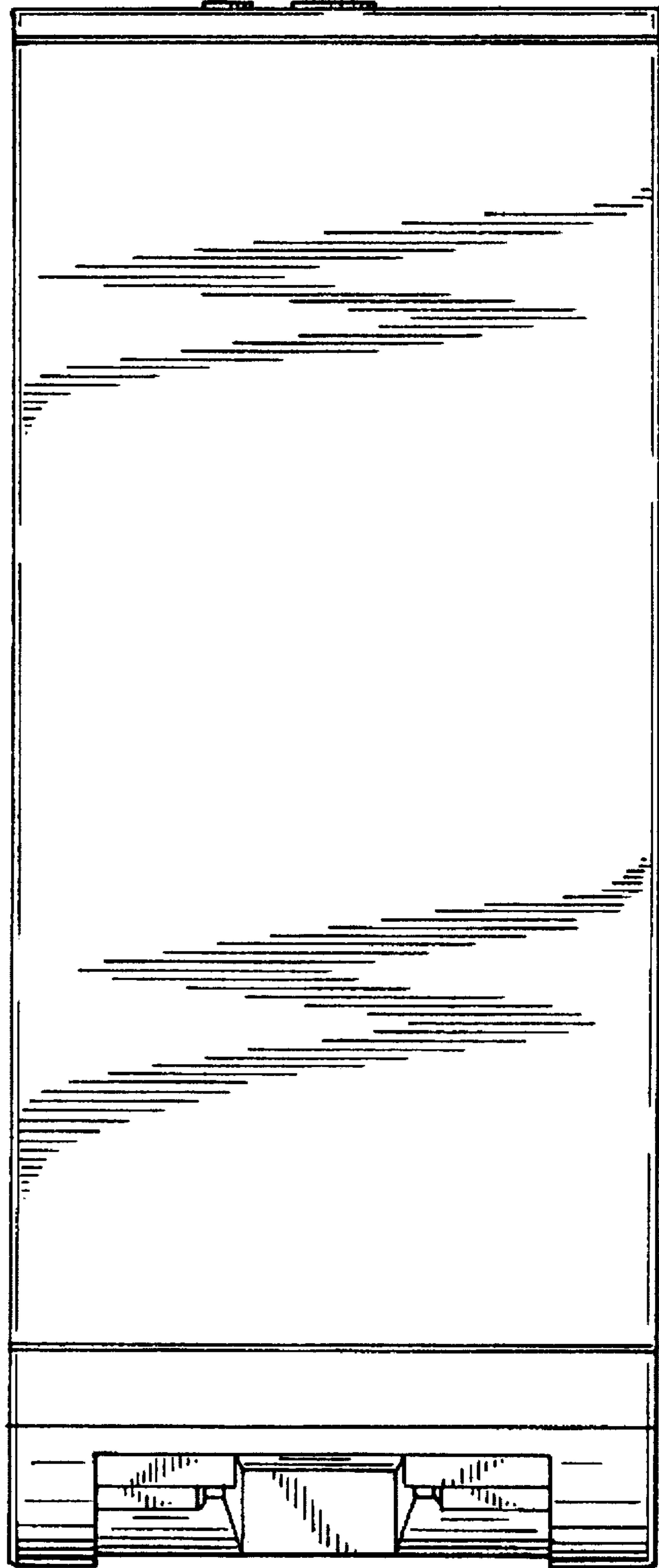


FIG. 5



# FIG. 6

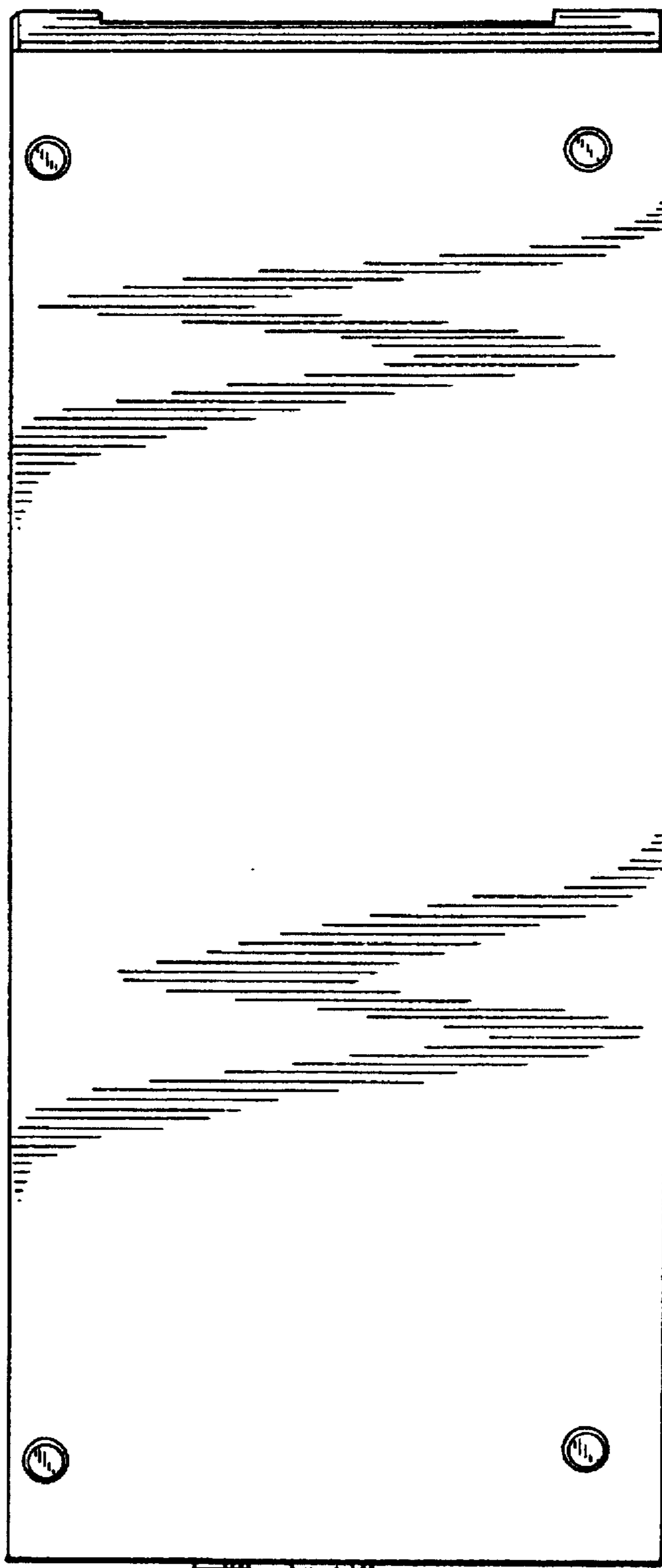


FIG. 7

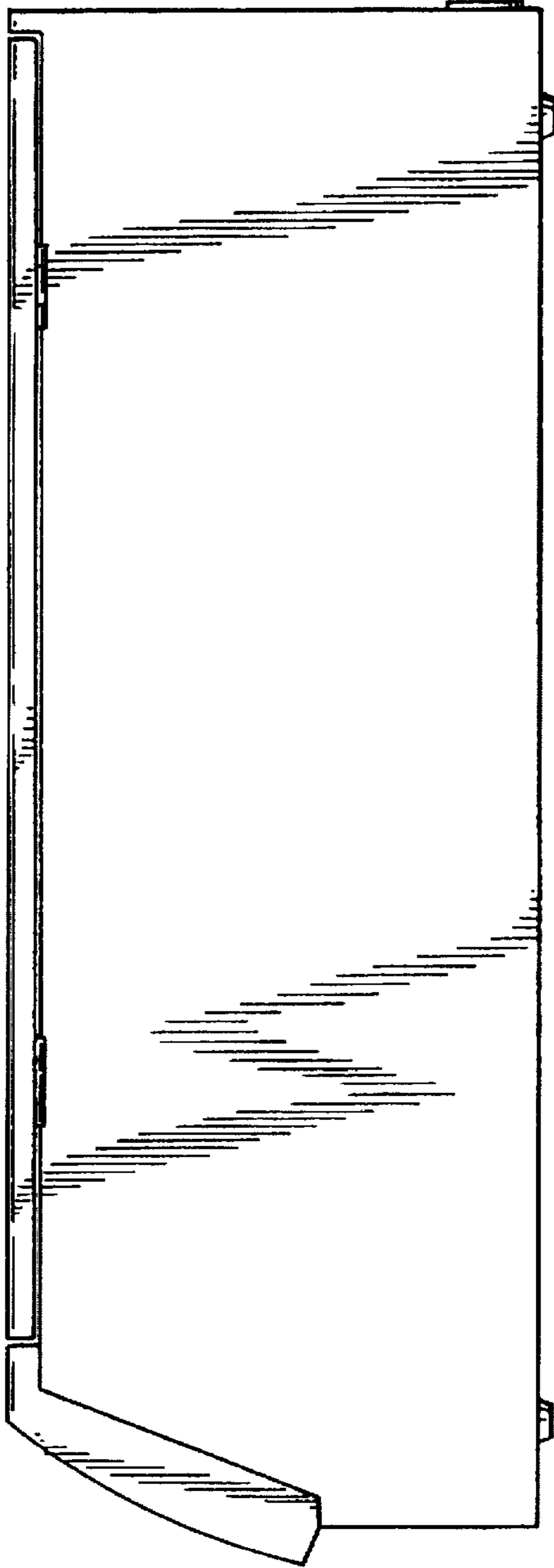


FIG. 8

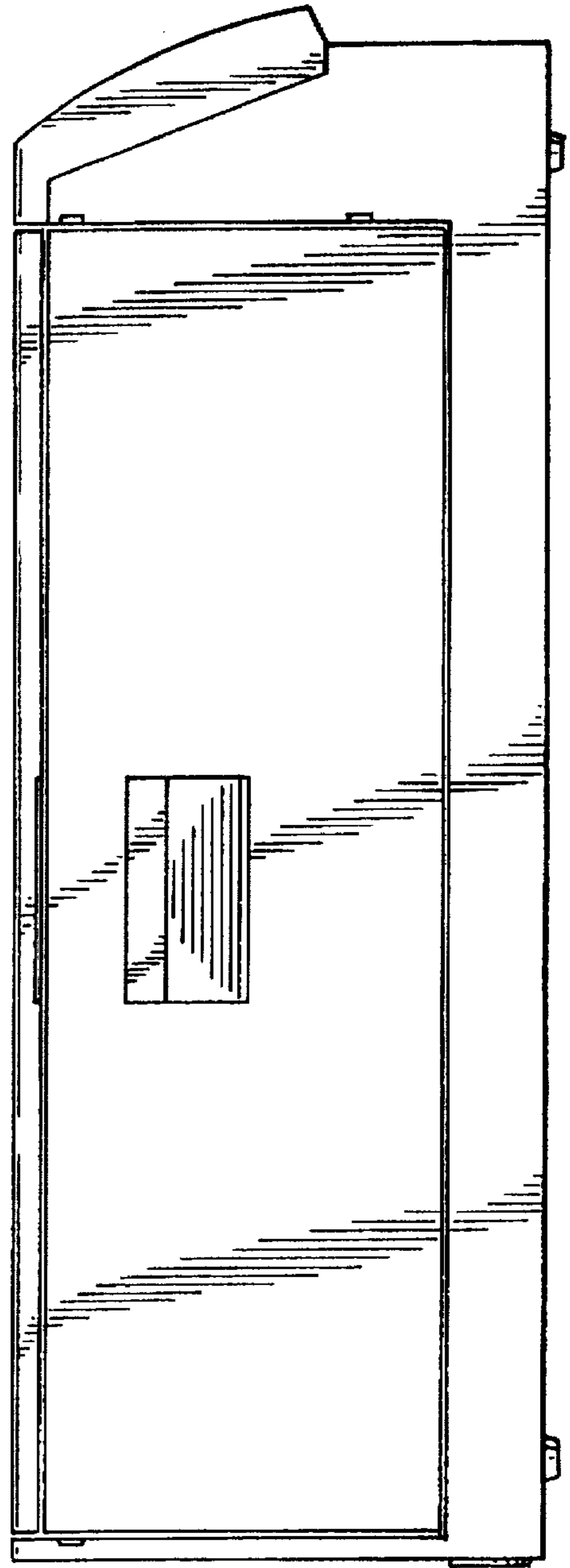




FIG. 9

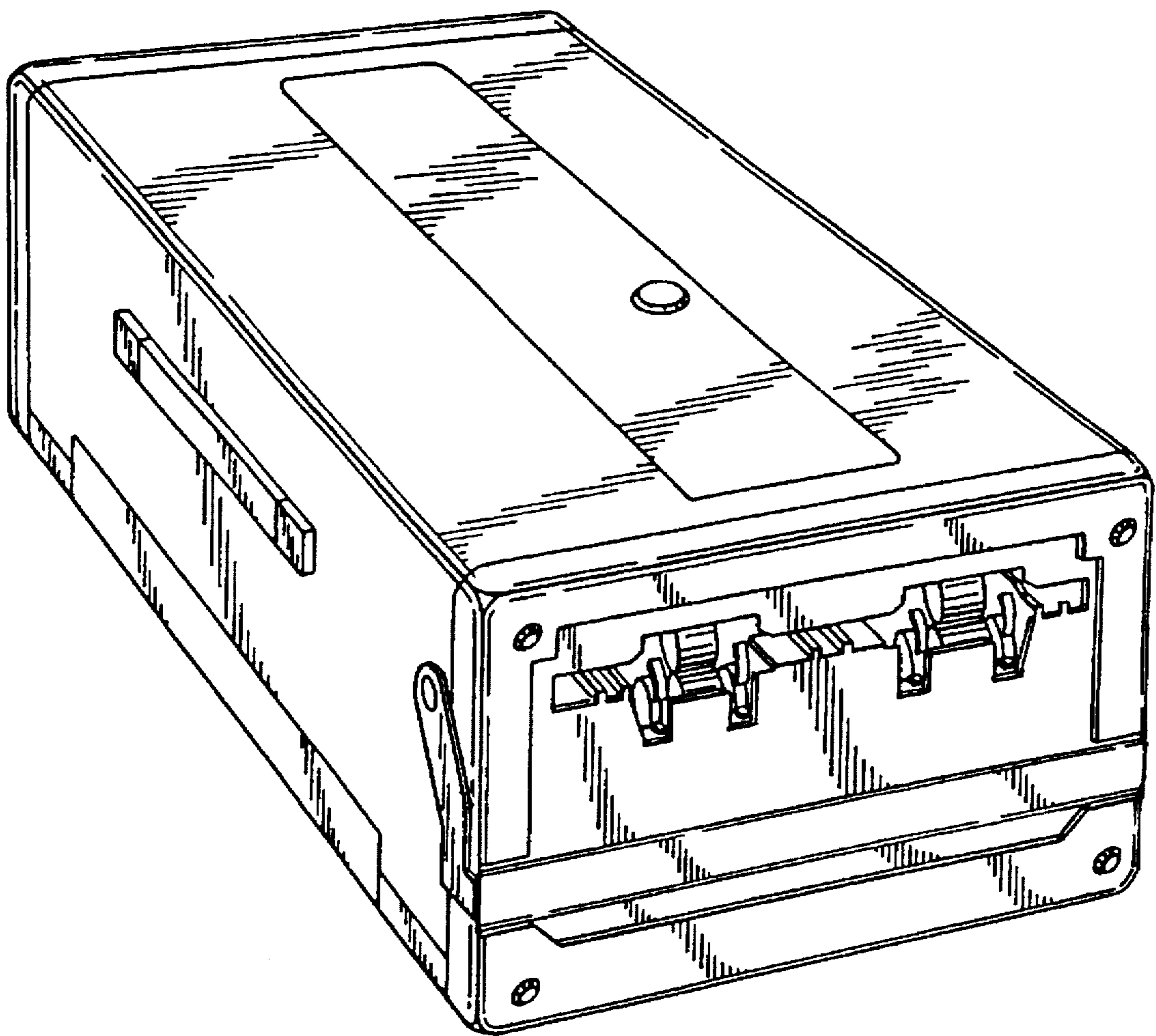


FIG. 11

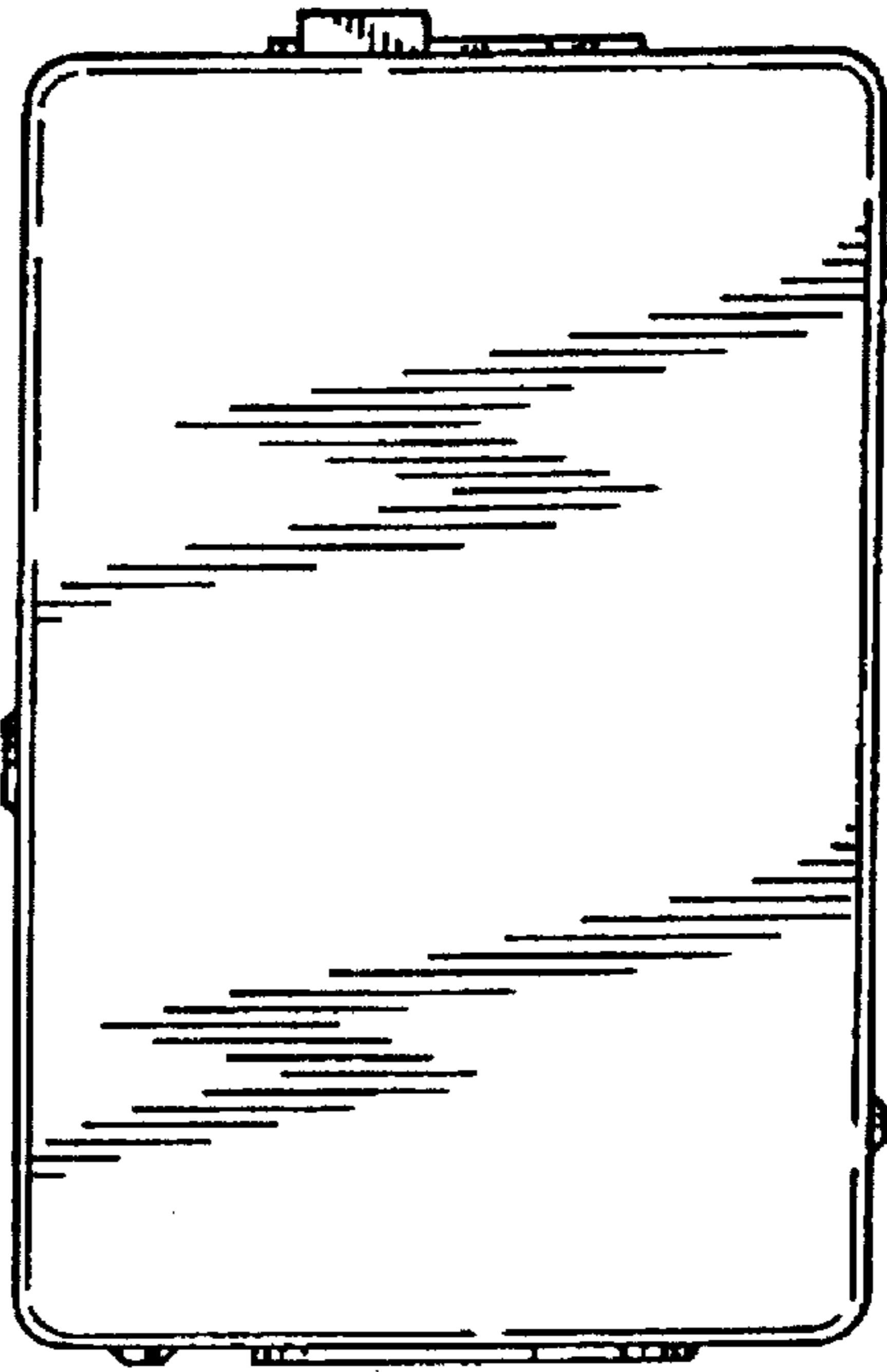


FIG. 10

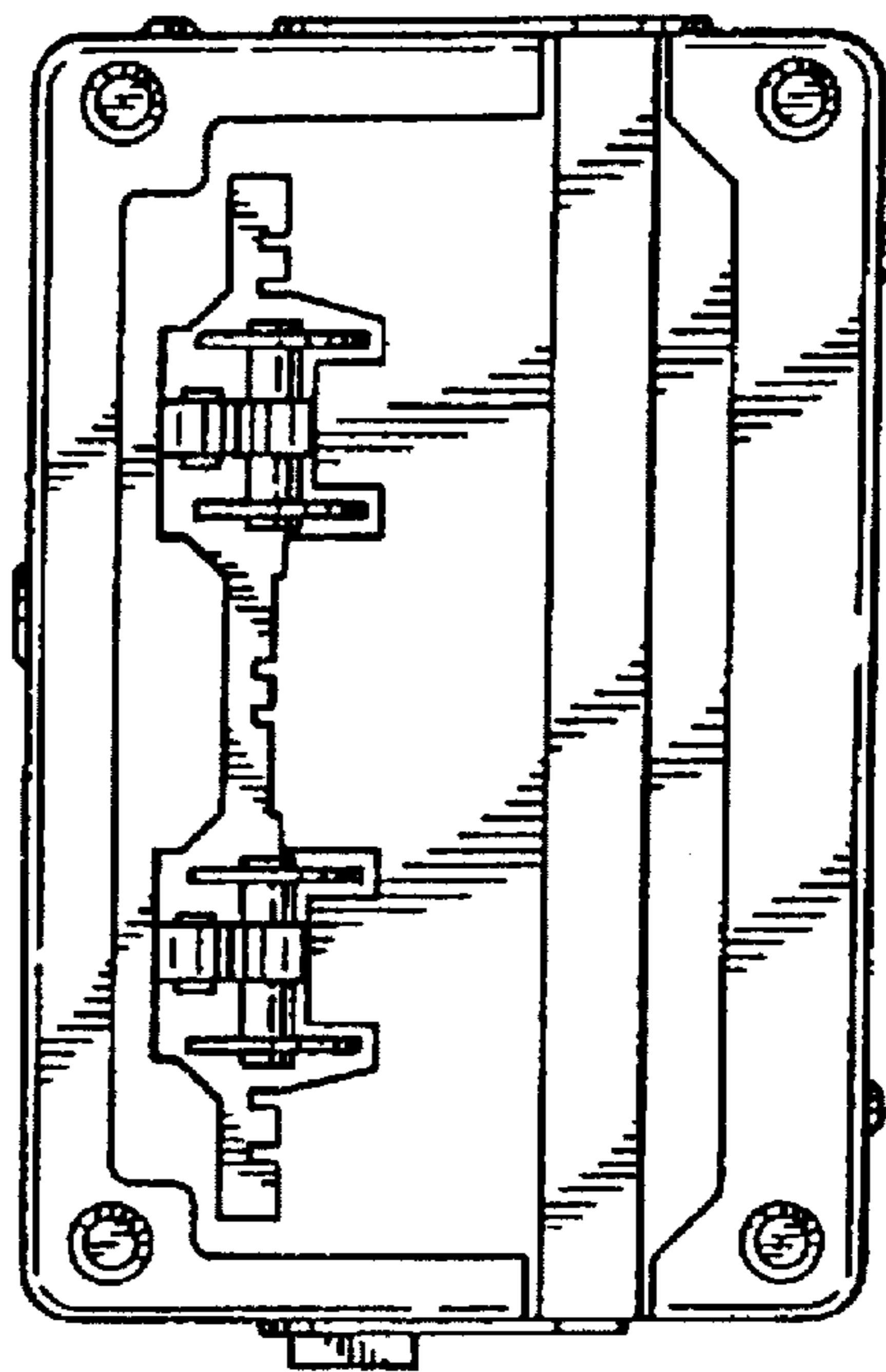


FIG. 12

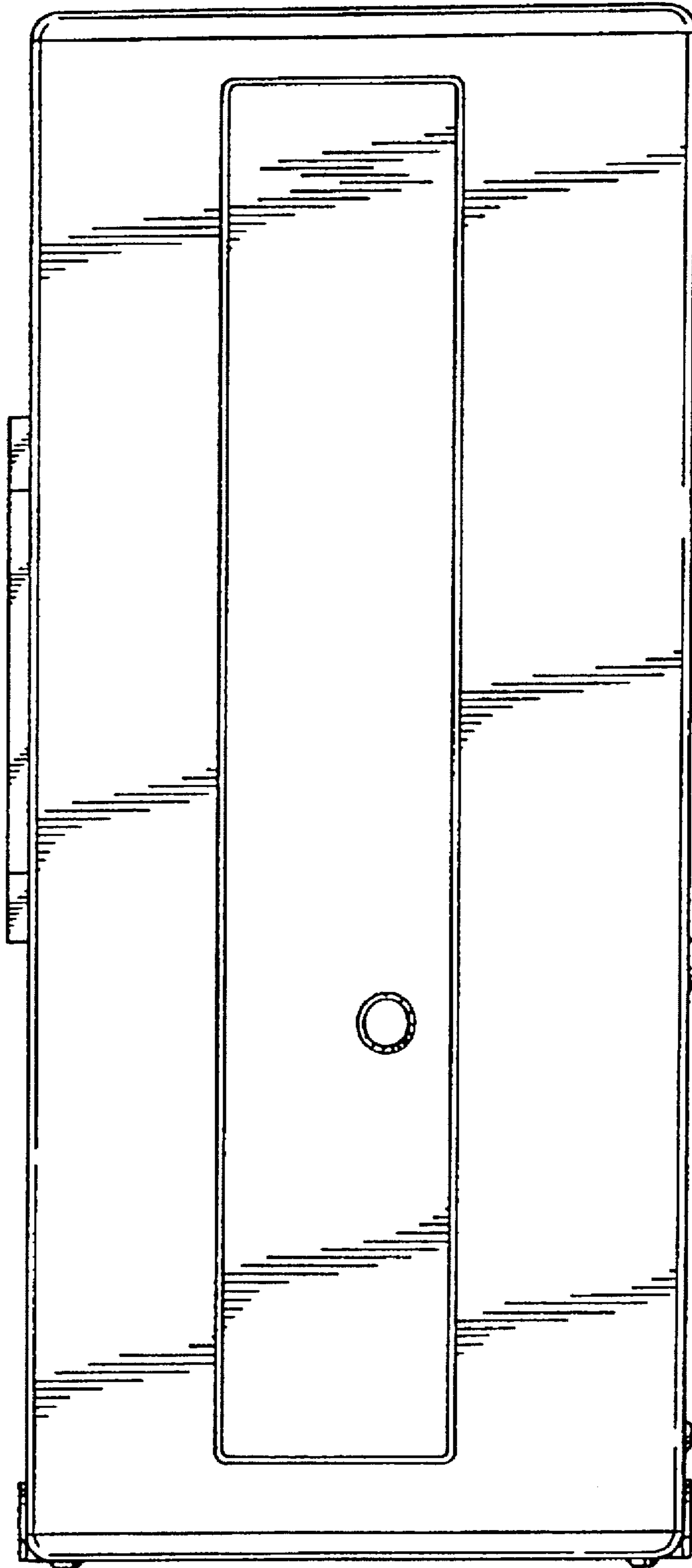


FIG. 13

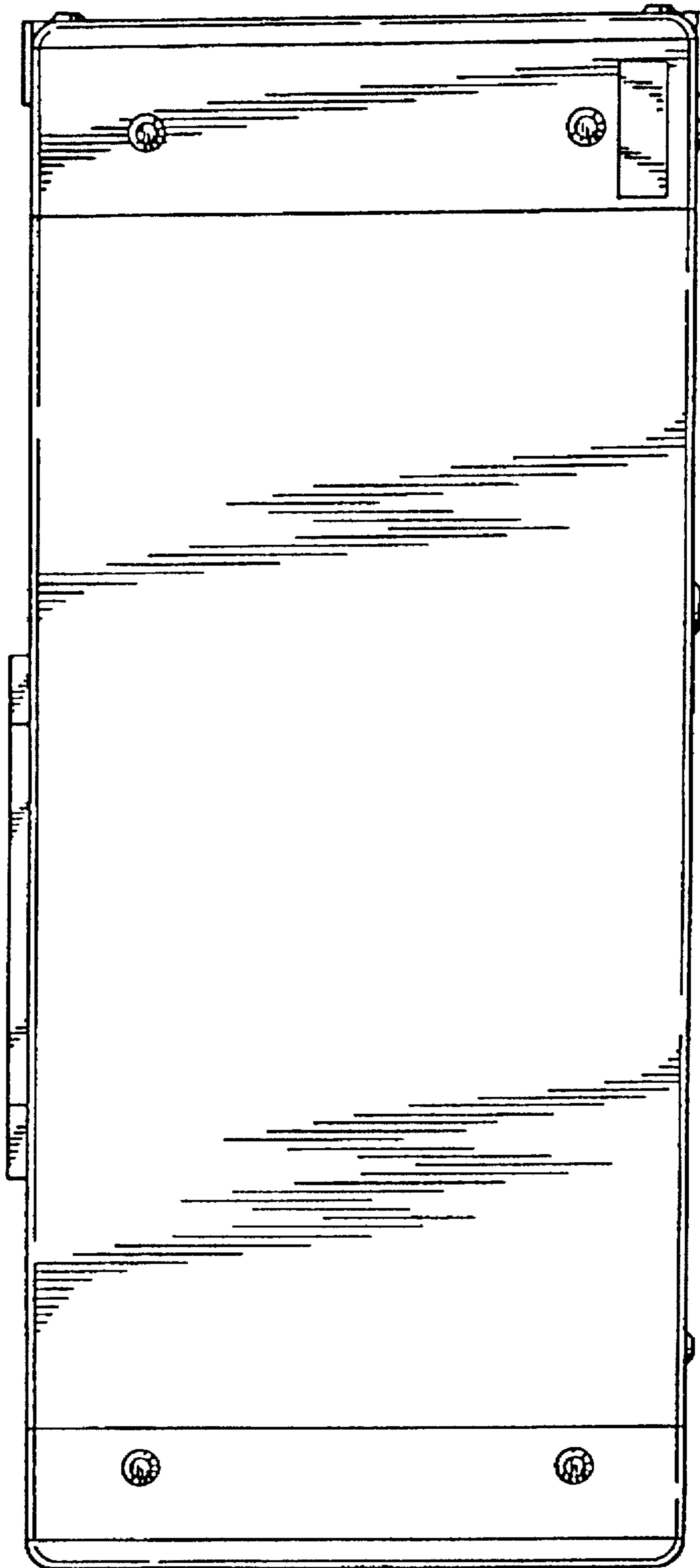


FIG. 14

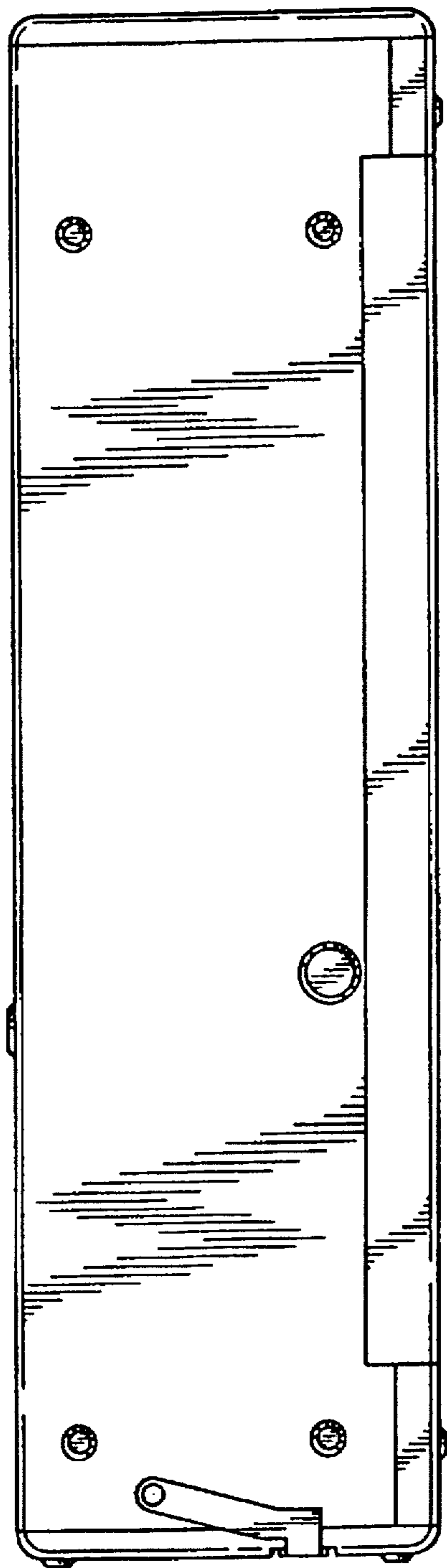


FIG. 15

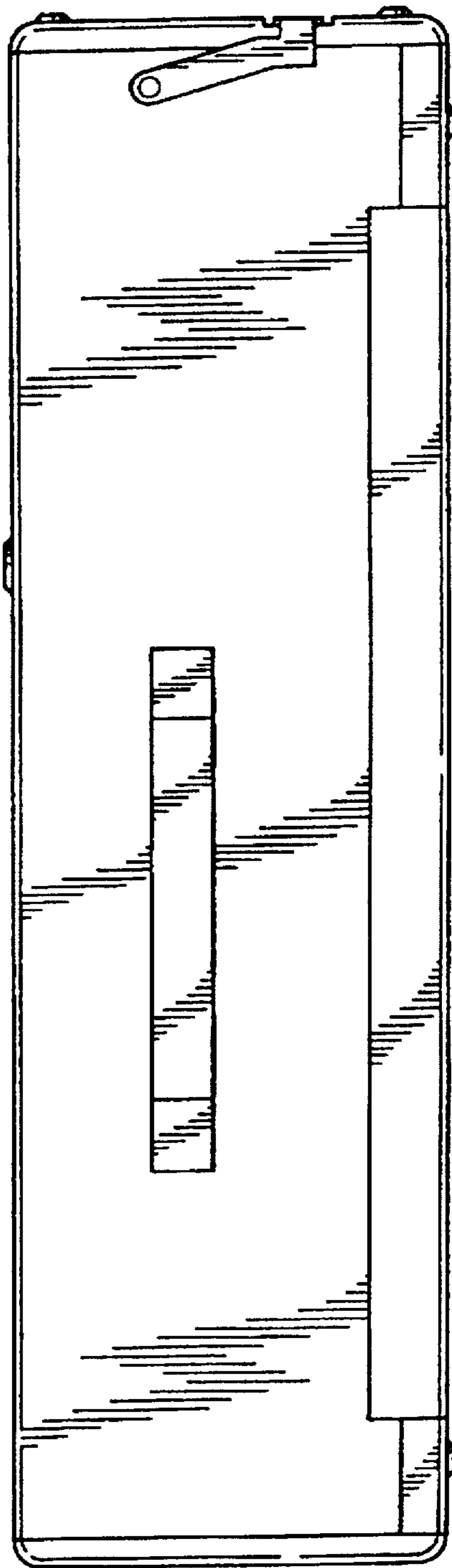


FIG. 16

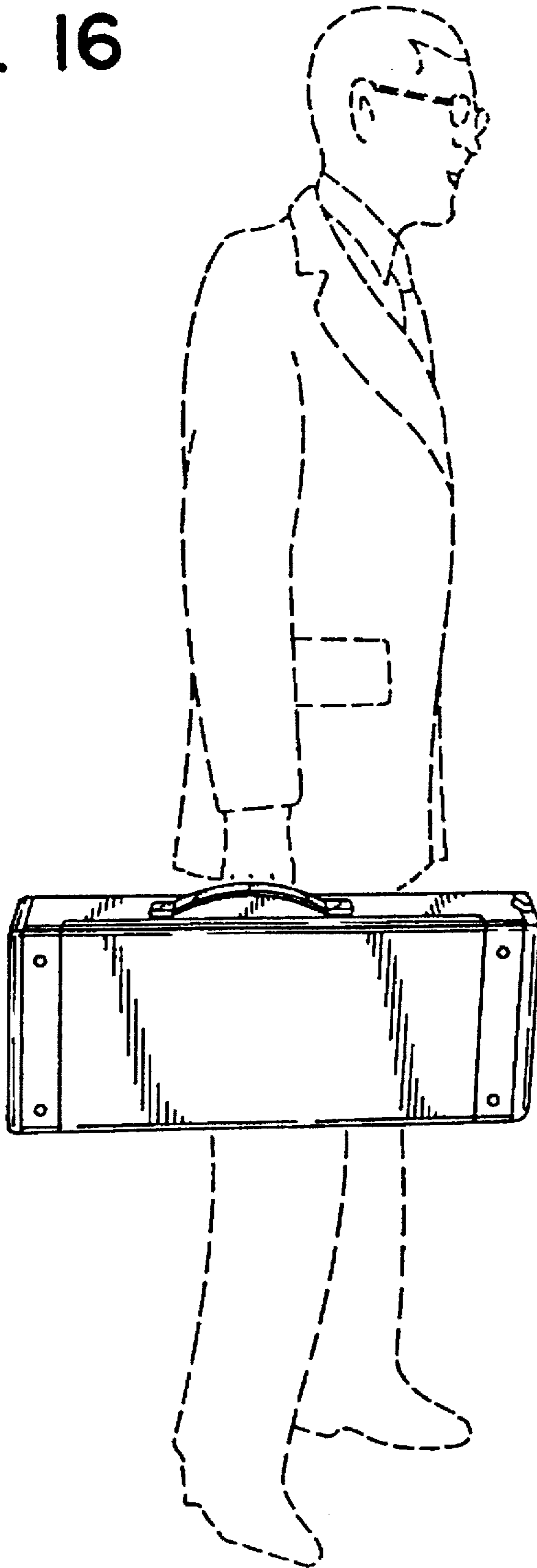
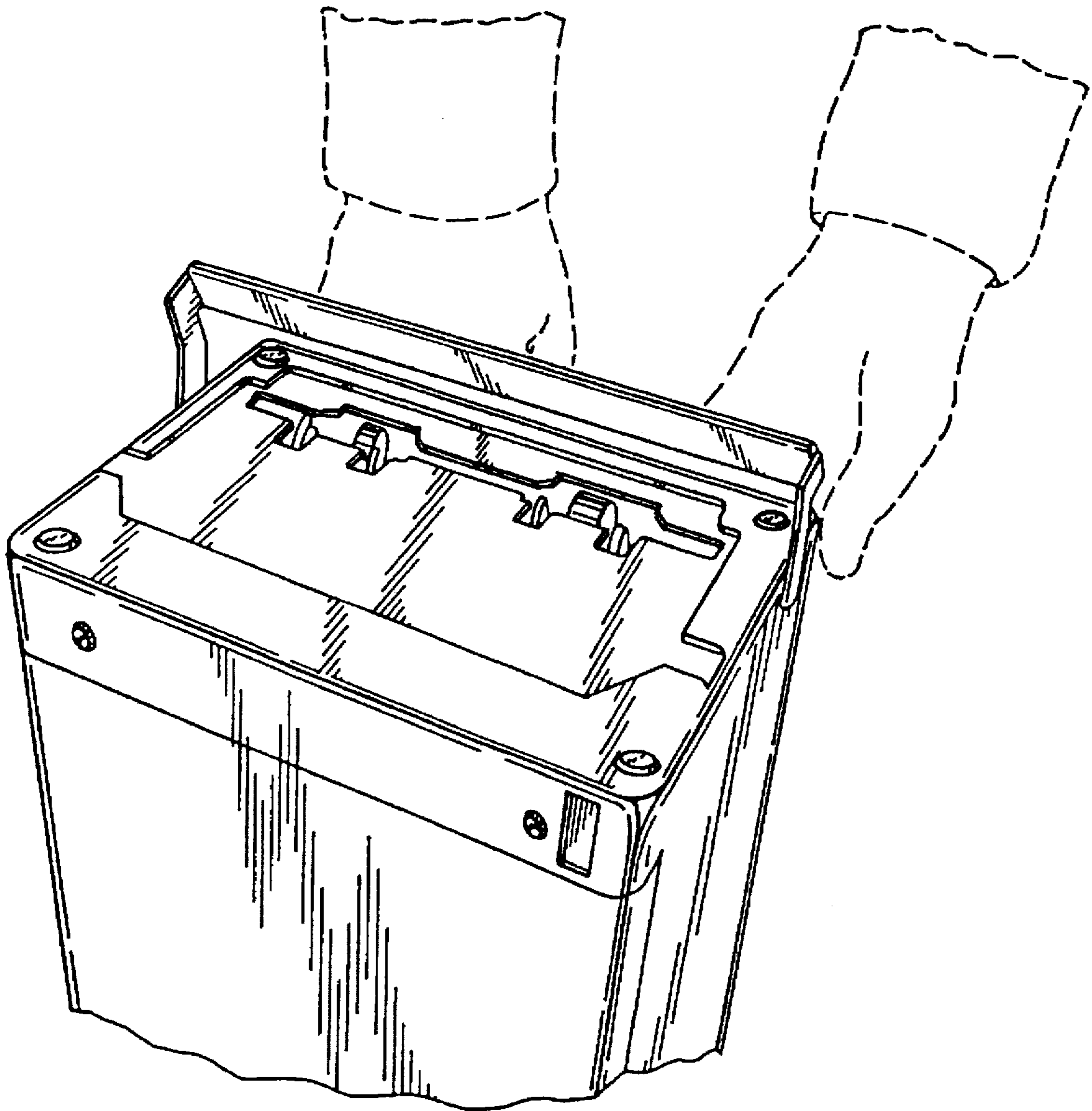


FIG. 17



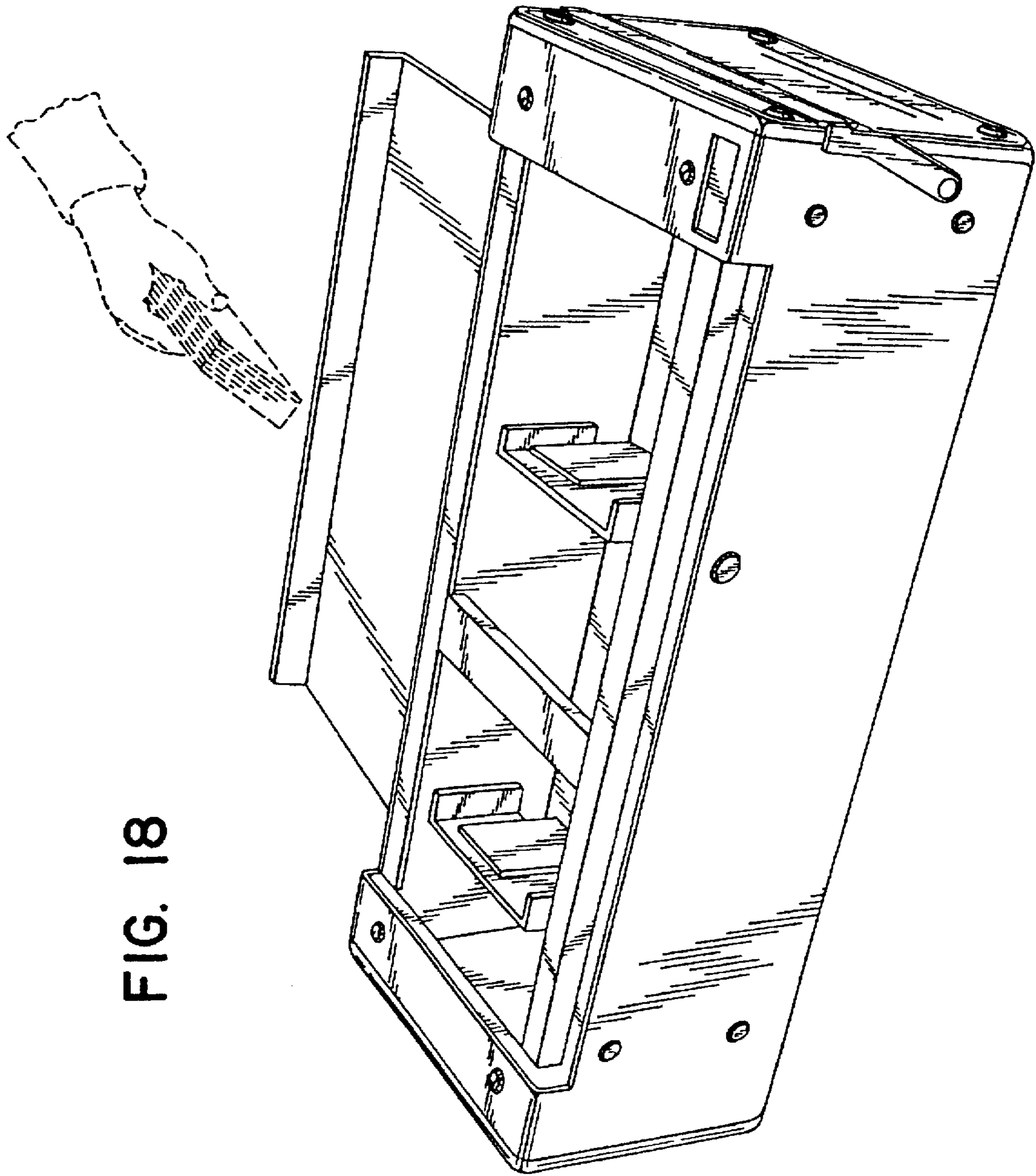


FIG. 18



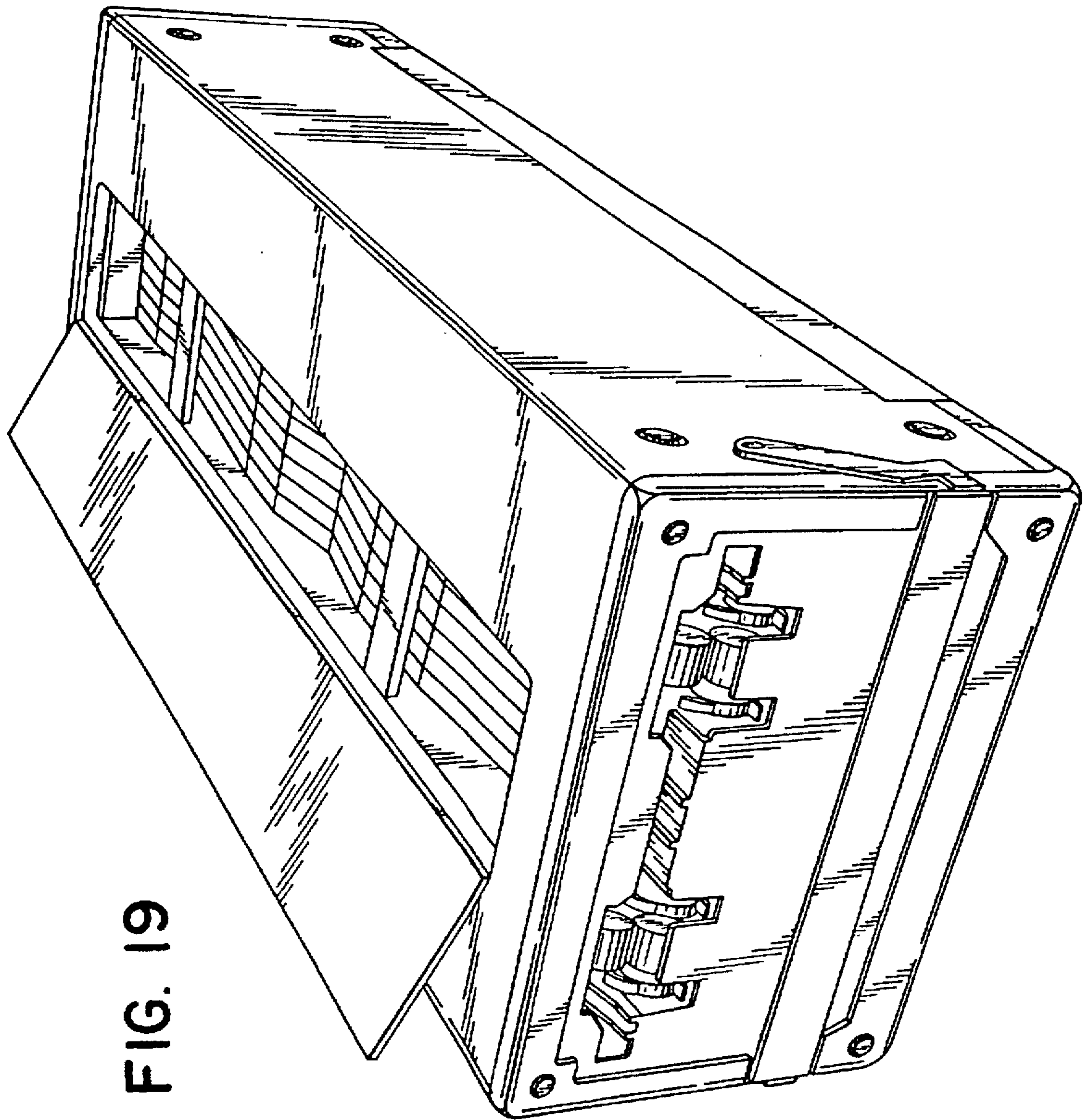


FIG. 19

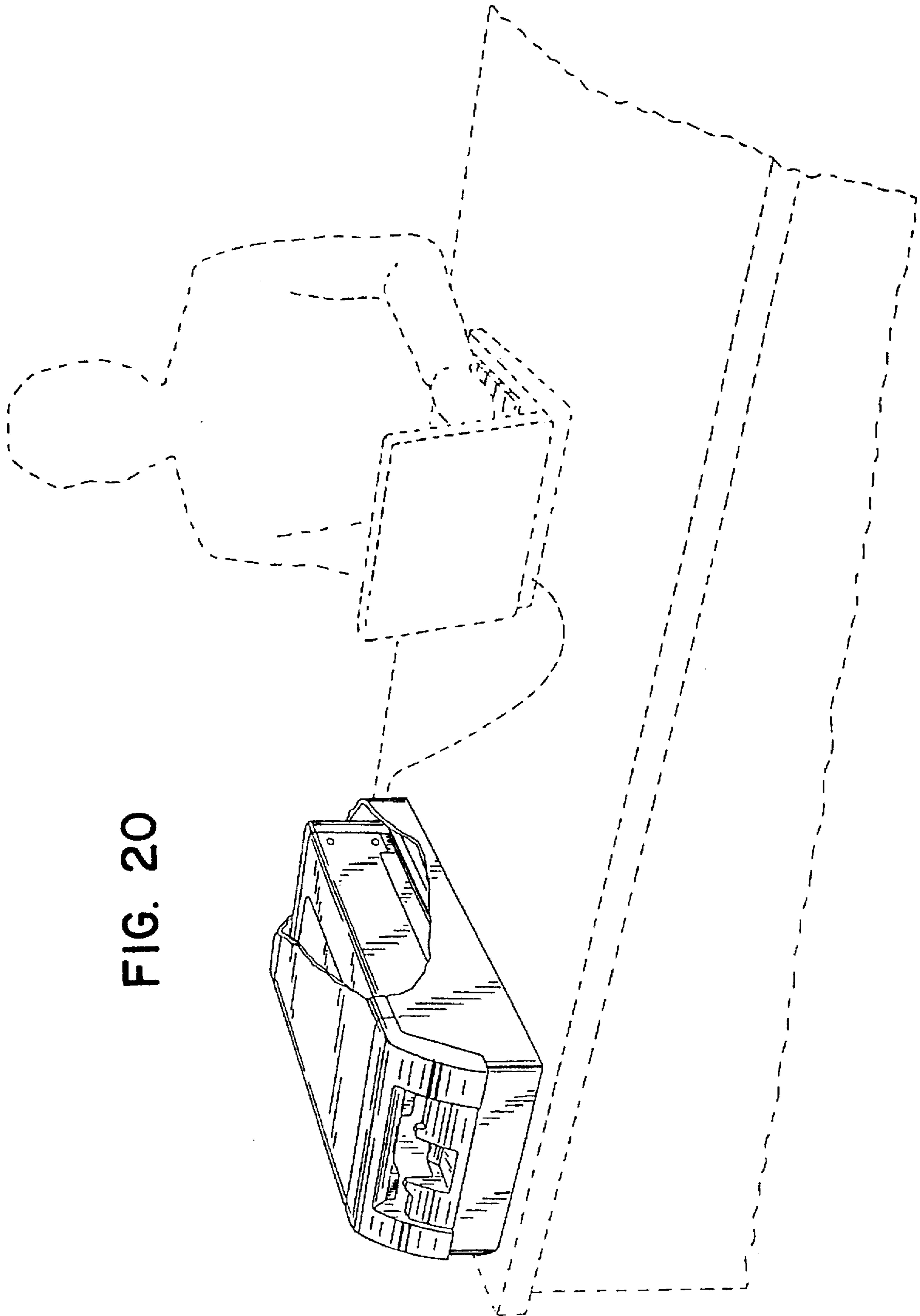


FIG. 20