



US00D385673S

United States Patent [19]

Siler et al.

[11] Patent Number: **Des. 385,673**

[45] Date of Patent: ****Oct. 28, 1997**

[54] SECURITY BAG FOR NIGHT DEPOSIT SAFE

3,300,128 1/1967 Jasinski et al. D99/28 X
3,727,438 4/1973 Knaack 70/56 X

[76] Inventors: **Buzz L. Siler**, 3328 Lakeview Blvd.,
Lake Oswego, Oreg. 97035; **Roger H. Pierce**, 10101 NE. 14th Cir., Vancouver,
Wash. 98664

Primary Examiner—Nelson C. Holtje
Assistant Examiner—Caron D. Veynar

[**] Term: **14 Years**

[57] CLAIM

[21] Appl. No.: **39,143**

The ornamental design for a security bag for night deposit safe, as shown and described.

[22] Filed: **May 22, 1995**

DESCRIPTION

[51] LOC (6) CL **99-00**

[52] U.S. Cl. **D99/28; D3/201; D3/254; D3/303**

[58] Field of Search D99/28, 35, 43,
D99/99; 70/56, 57, 63, 64, 69, 158; 109/1 R,
45, 57; D3/201, 225, 232, 245-247, 254,
276, 294, 303; 224/101, 908, 925; 150/100,
107, 111, 118-120, 154, 165

FIG. 1 is a perspective view;
FIG. 2 is a front view;
FIG. 3 is a top view;
FIG. 4 is a right side view. The left side is a mirror image of the right side;
FIG. 5 is a back view; and,
FIG. 6 is a bottom view.

[56] References Cited

U.S. PATENT DOCUMENTS

D. 361,548 8/1995 Bascom D3/303 X

1 Claim, 2 Drawing Sheets

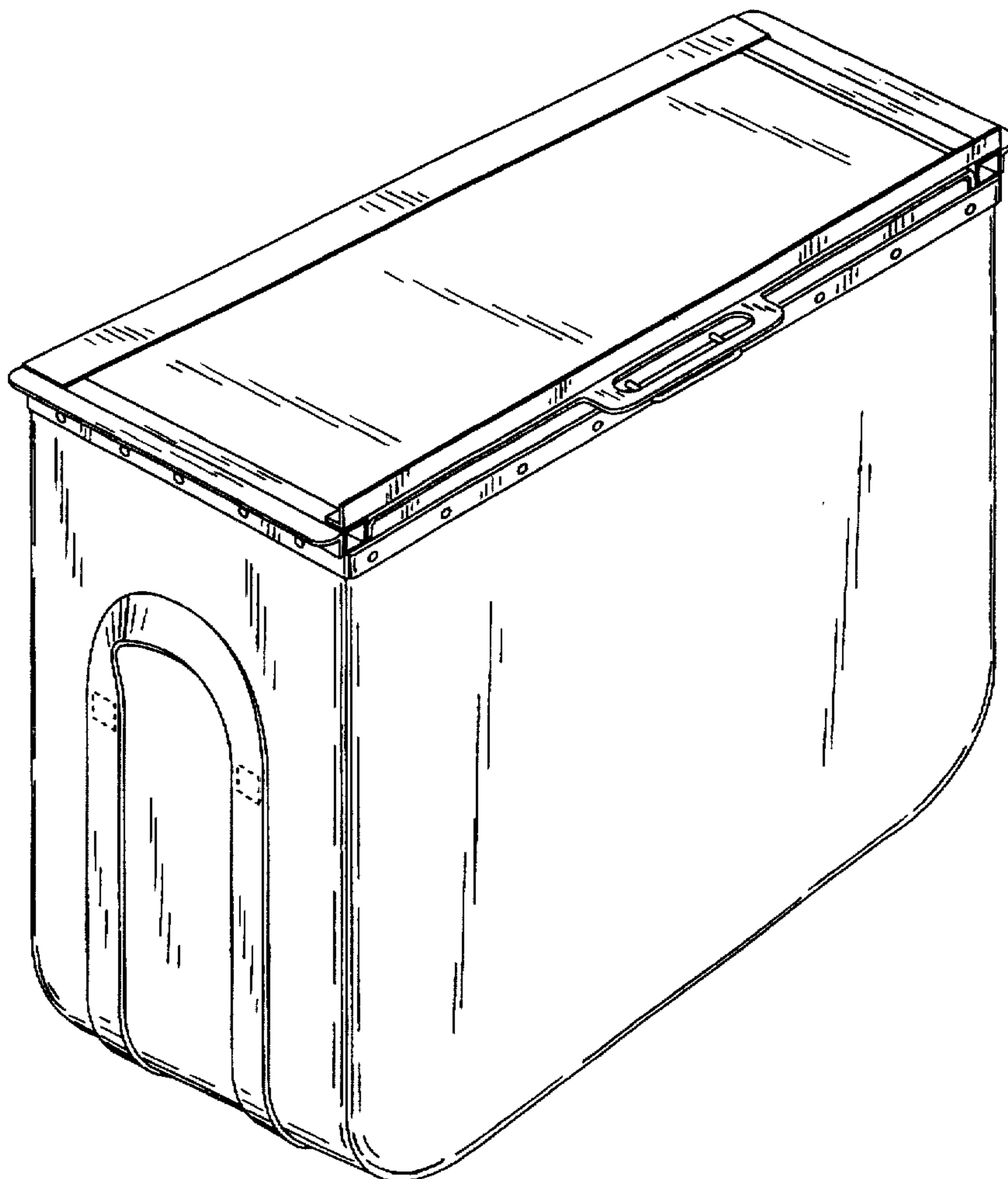


FIG. 1

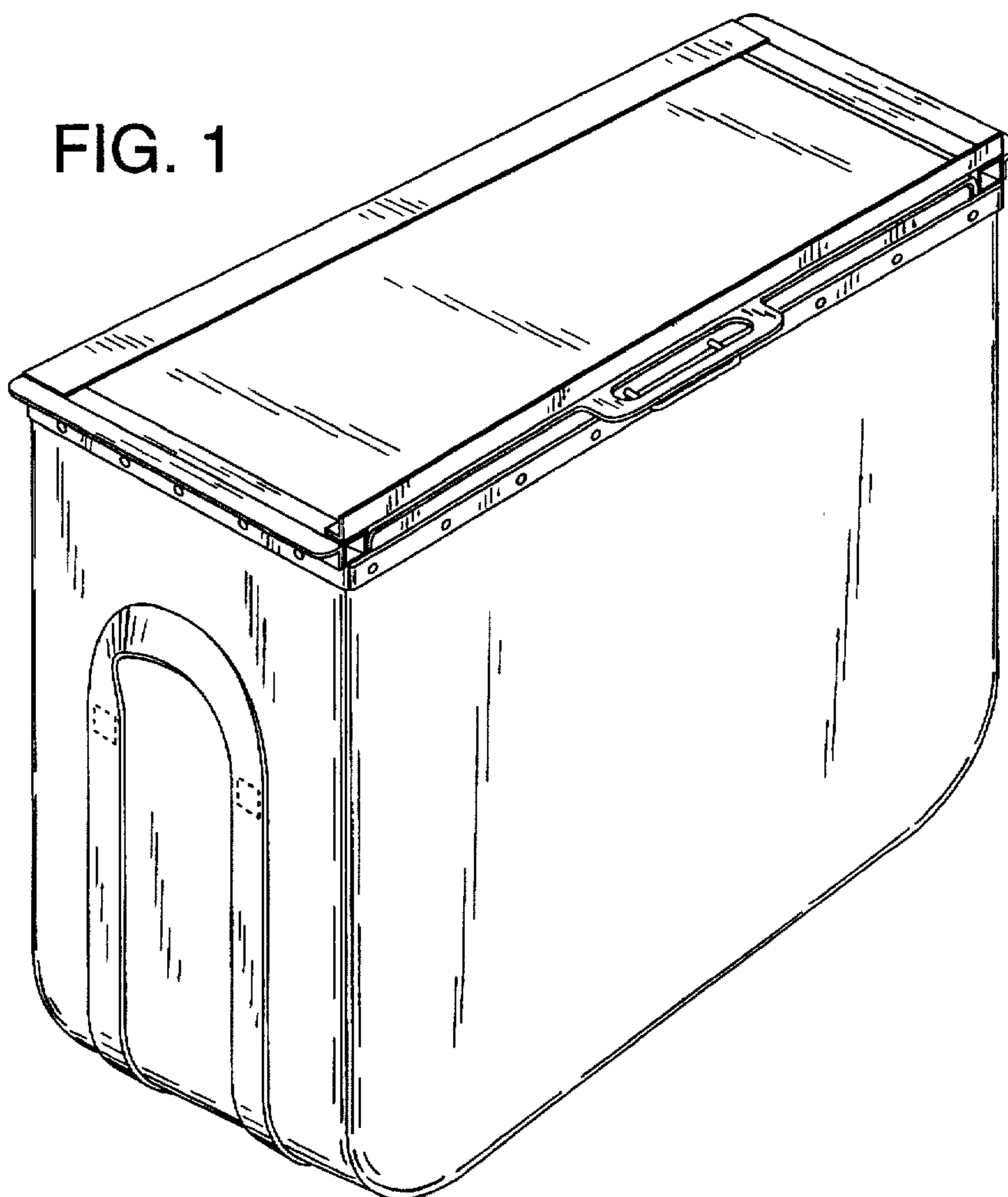


FIG. 2

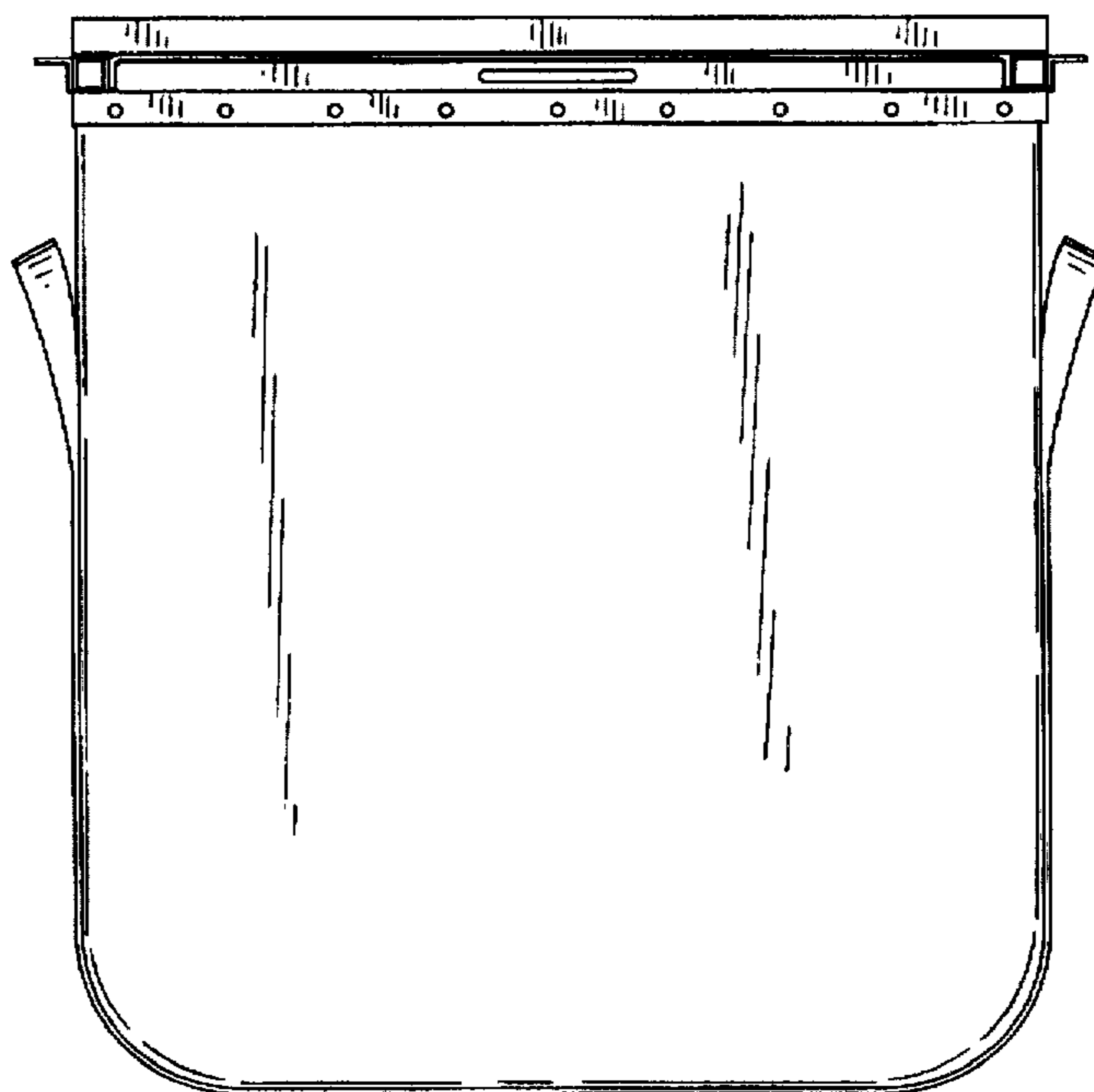


FIG. 3

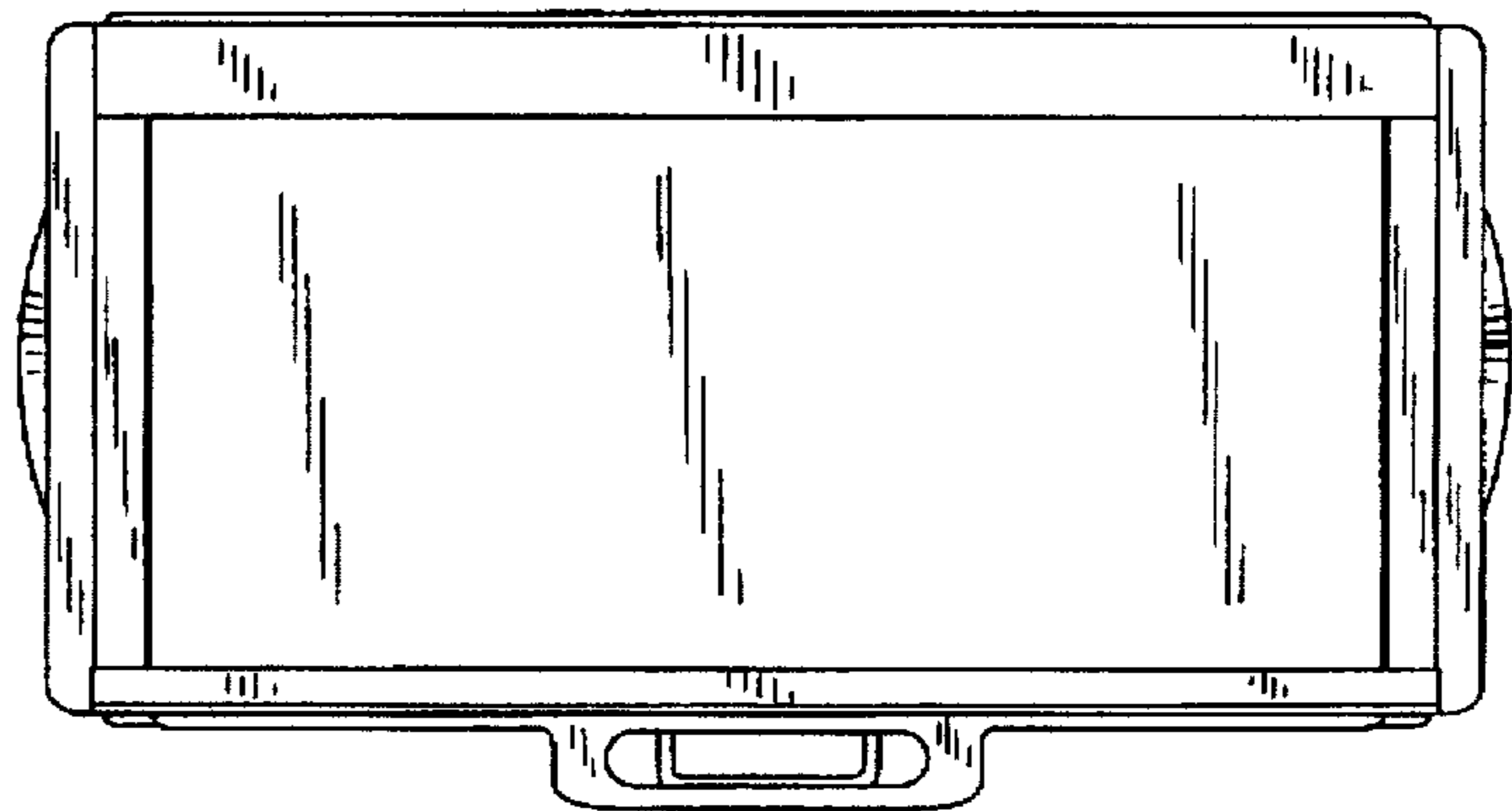


FIG. 4

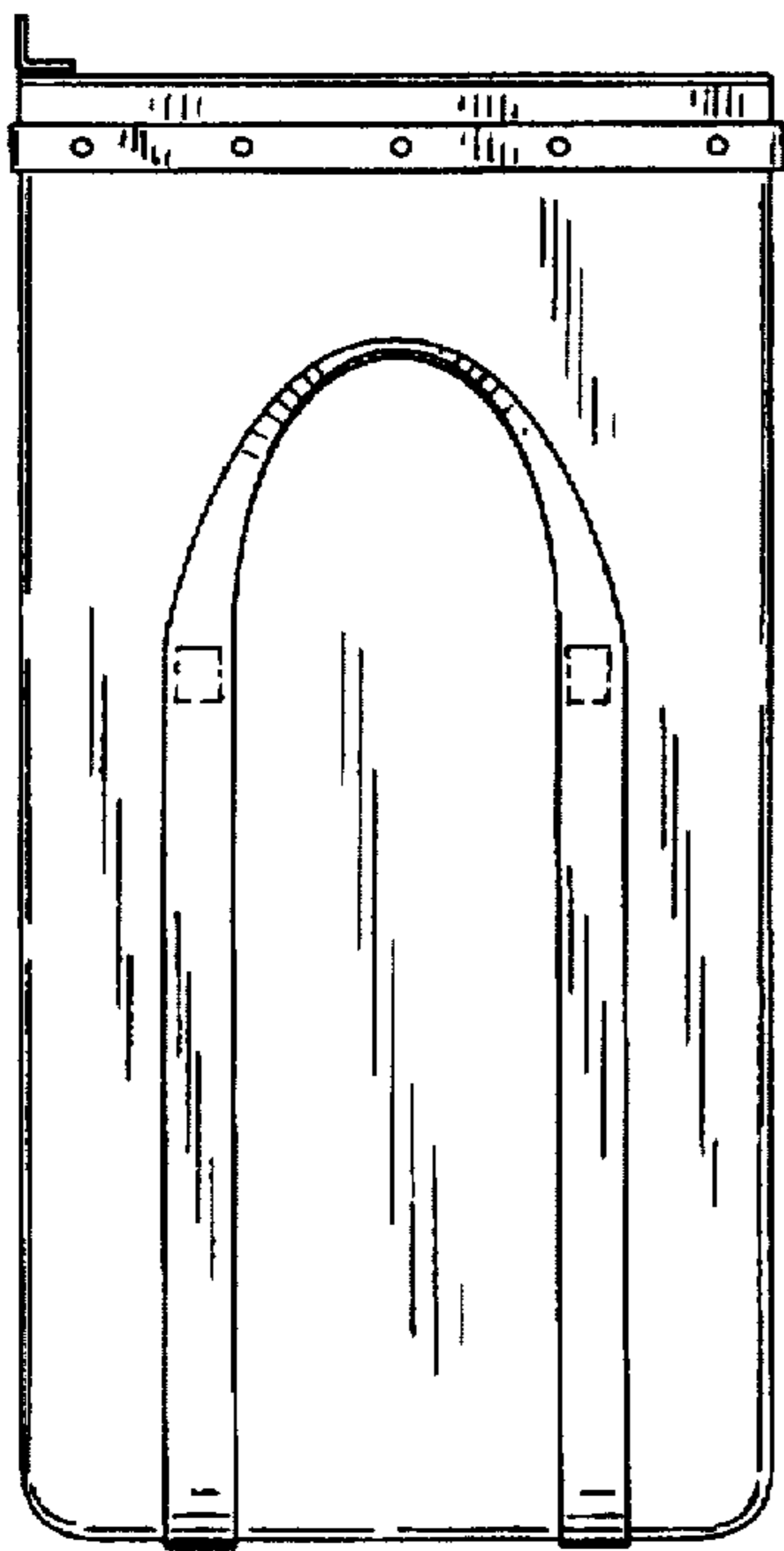


FIG. 5

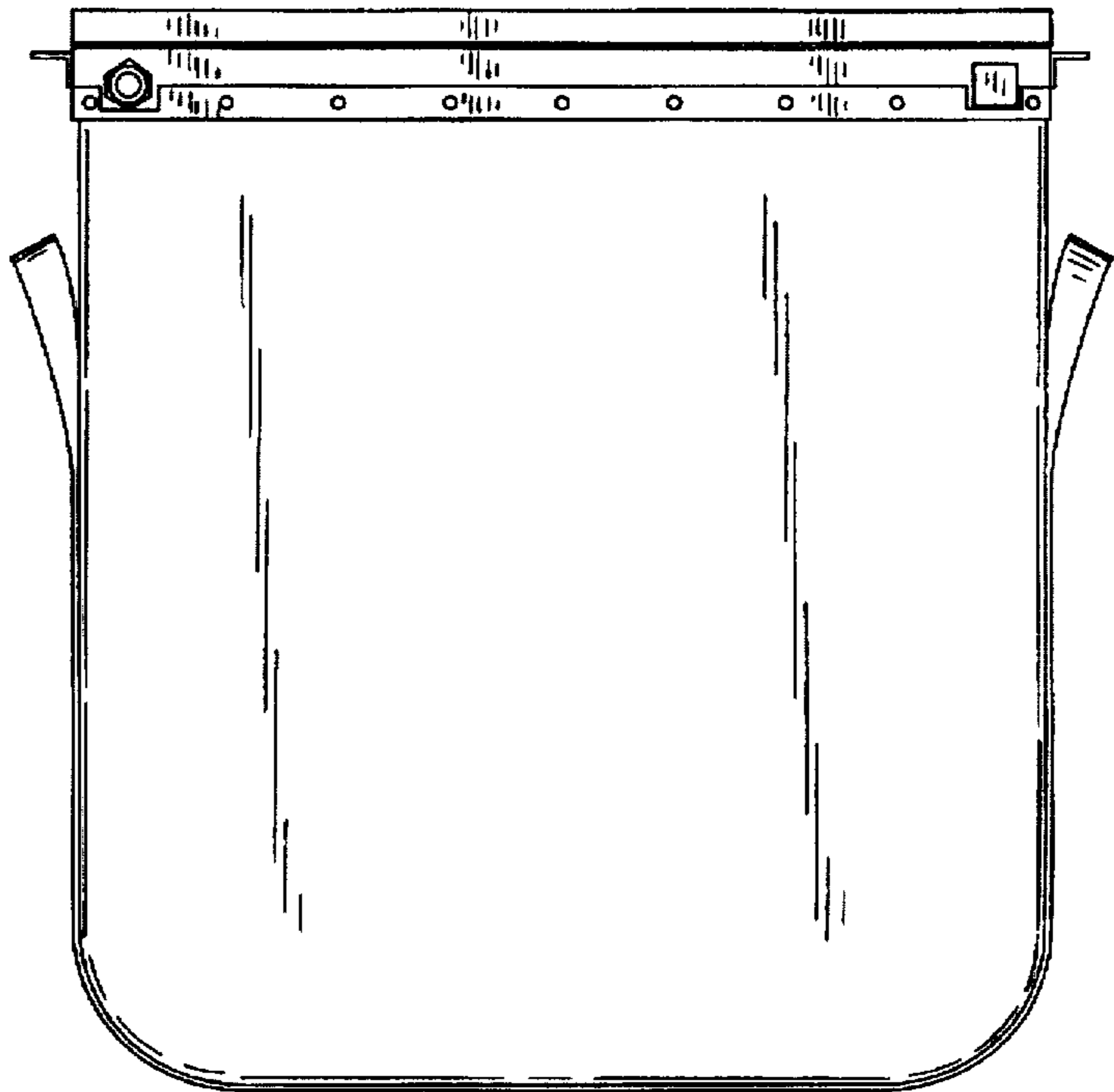


FIG. 6

