



US00D385672S

United States Patent [19]

[11] Patent Number: Des. 385,672

Noris

[45] Date of Patent: **Oct. 28, 1997

[54] CRUCIFORM DISPLAY

[76] Inventor: **Buford A. Noris**, 15350 Peachmeadow La., Channelview, Tex. 77530

[**] Term: **14 Years**

[21] Appl. No.: **56,924**

[22] Filed: **Jul. 11, 1996**

[51] LOC (6) Cl. **99-00**

[52] U.S. Cl. **D99/27; D6/450**

[58] Field of Search **D99/27, 23; D11/96; D6/450, 474; 108/150; 428/3**

[56] References Cited

U.S. PATENT DOCUMENTS

D. 189,687	1/1961	McAllister	D99/27
D. 232,541	8/1974	Bartley et al.	D6/450
D. 330,129	10/1992	Kelly	
D. 370,770	6/1996	Cramer	D99/27
2,637,438	5/1953	Menz et al.	428/3 X
2,844,894	7/1958	Marshall	428/3 X
3,992,812	11/1976	Horowitz	428/3 X
4,262,605	4/1981	Sokol	
4,692,749	9/1987	Bussing, Jr.	D99/27 X

FOREIGN PATENT DOCUMENTS

531357	11/1957	Belgium	.
2608700	9/1977	Germany	.
602048	7/1978	Switzerland	.
633050	12/1949	United Kingdom	.

Primary Examiner—Doris V. Coles
Attorney, Agent, or Firm—Stephen R. Greiner

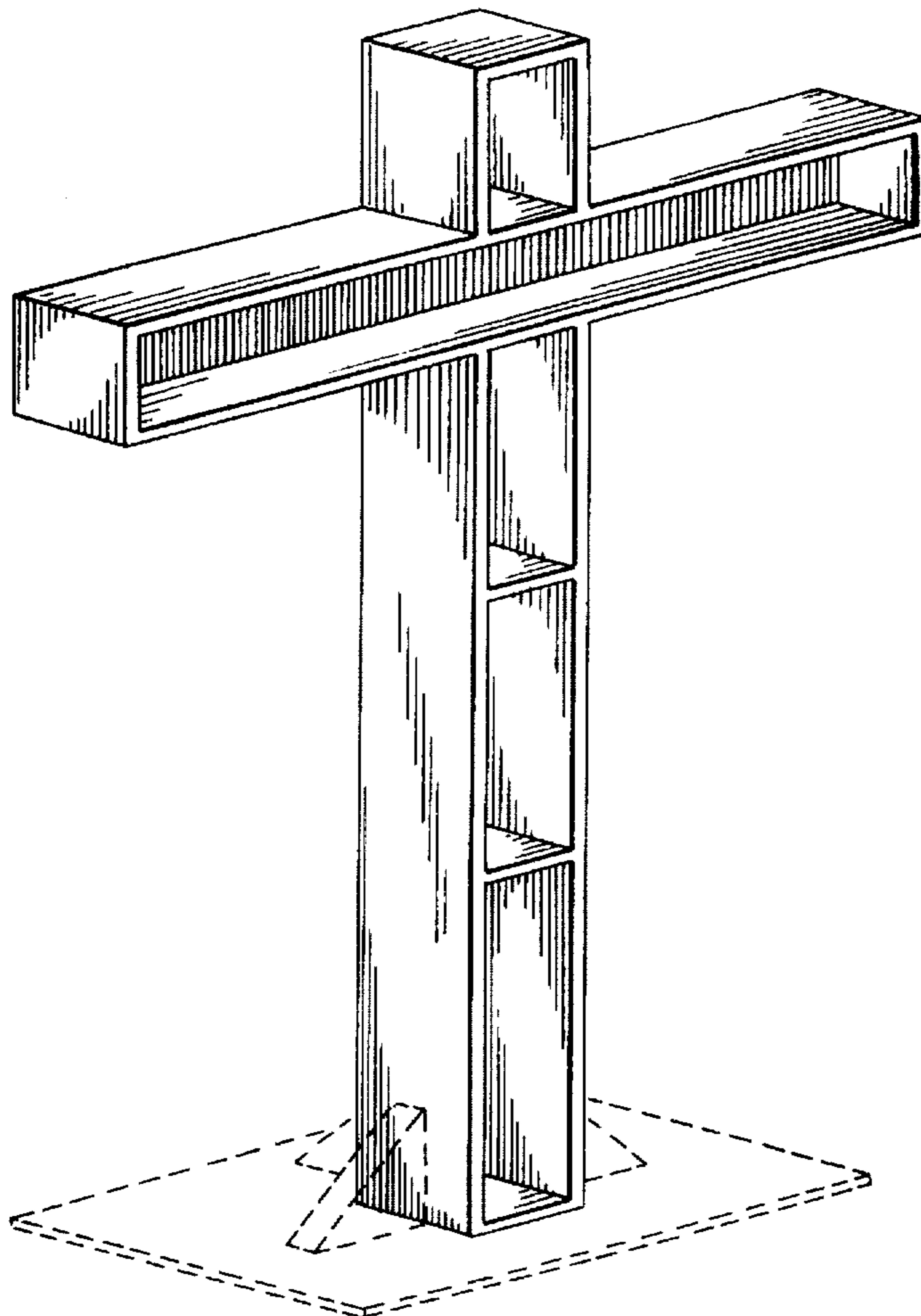
[57] CLAIM

The ornamental design for a cruciform display, as shown and described.

DESCRIPTION

FIG. 1 is a perspective view of a cruciform display showing my new design;
 FIG. 2 is a right side elevational view thereof with the left side being a mirror image;
 FIG. 3 is a top view thereof with the bottom view being mirror image;
 FIG. 4 is a front elevational view thereof; and,
 FIG. 5 is a rear elevational view thereof.
 The broken line showing of support means in FIG. 1 is for illustrative purposes only and forms no part of the claimed design.

1 Claim, 2 Drawing Sheets



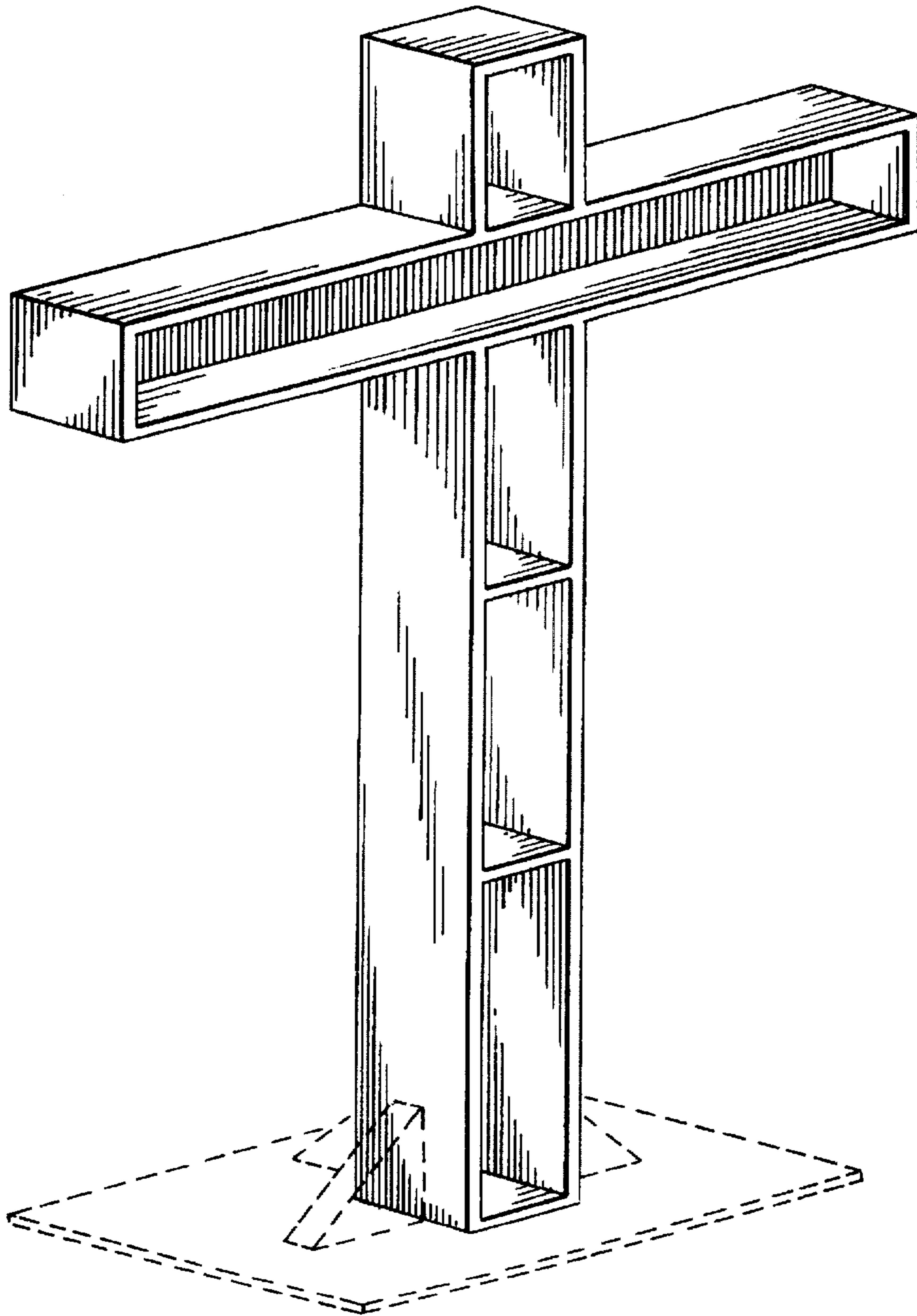


FIG. 1

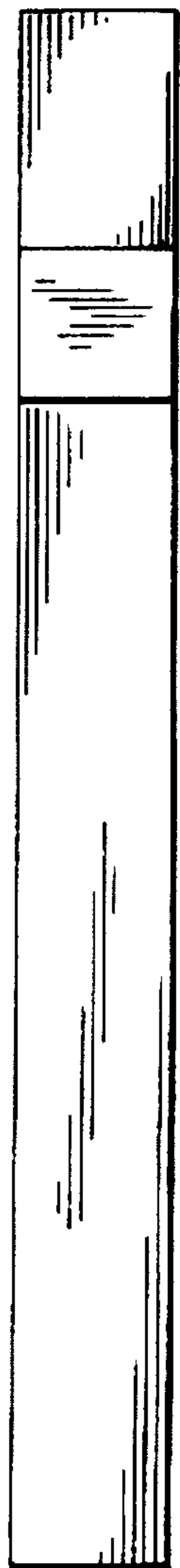


FIG. 2



FIG. 3

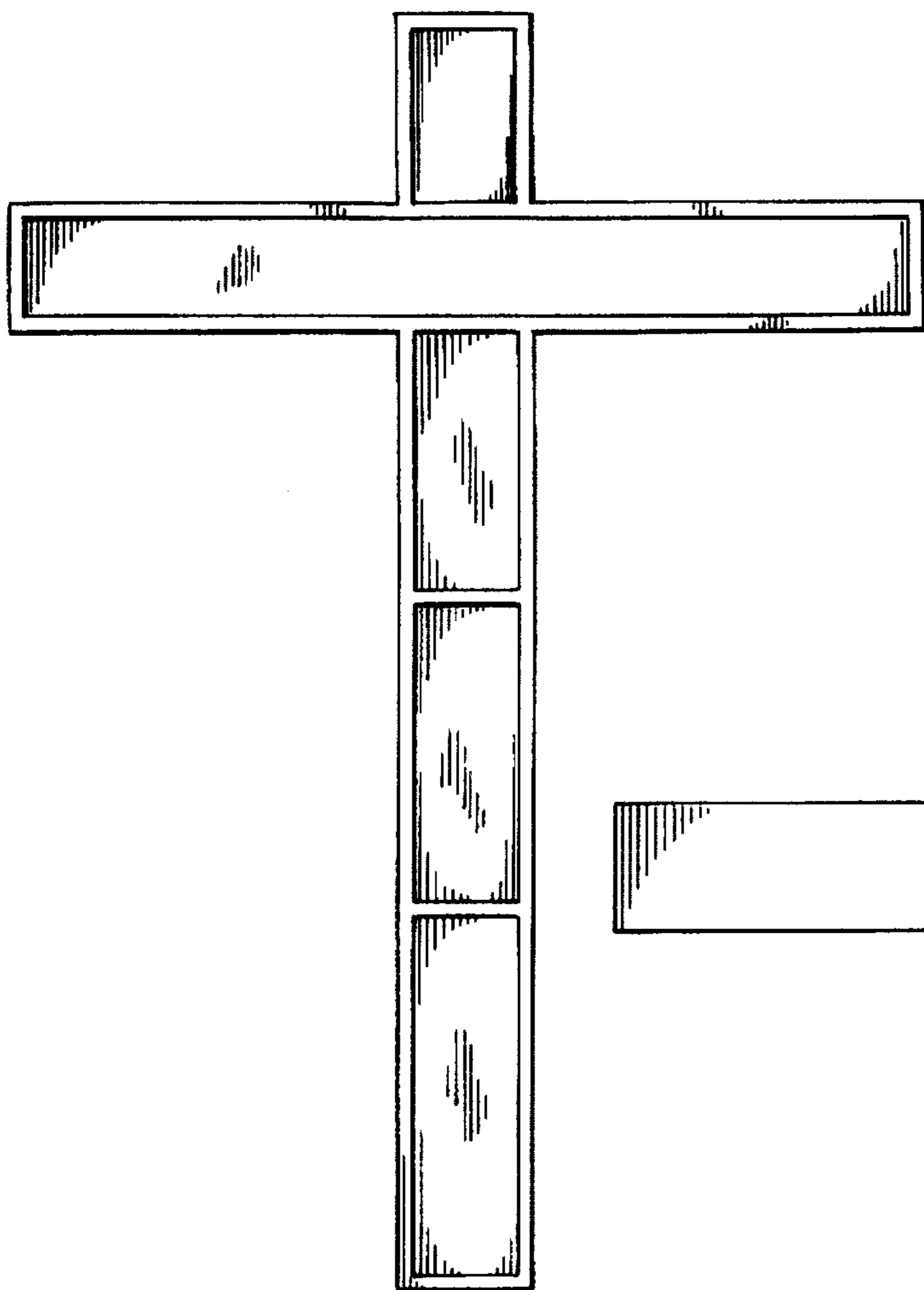


FIG. 4

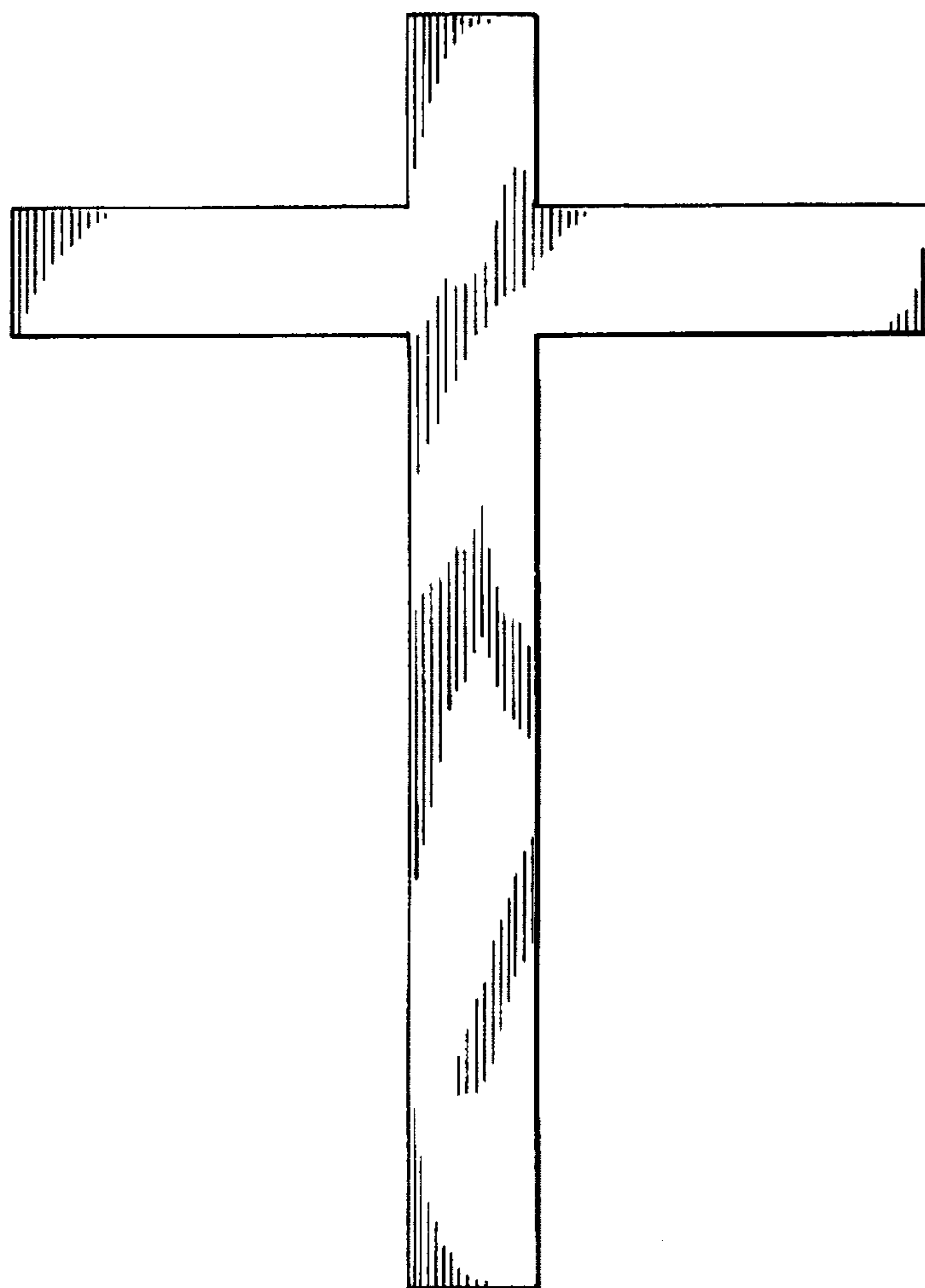


FIG. 5