



US00D385668S

United States Patent [19]
Sprock

[11] **Patent Number:** **Des. 385,668**

[45] **Date of Patent:** ****Oct. 28, 1997**

[54] **ANKLE PROTECTOR FOR HURDLERS**

5,520,628 5/1996 Wehr 602/27
5,566,476 10/1996 Beatrand et al. 36/72 R

[76] **Inventor:** **Carolyn Sprock**, 676 Chestnut St., Apt.
1, Emmaus, Pa. 18049

Primary Examiner—Stella Reid
Attorney, Agent, or Firm—Harold H. Dutton, Jr.

[**] **Term:** **14 Years**

[57] **CLAIM**

[21] **Appl. No.:** **49,798**

The ornamental design for an ankle protector for hurdlers, as shown.

[22] **Filed:** **Jan. 31, 1996**

DESCRIPTION

[51] **LOC (6) Cl.** **29-02**

[52] **U.S. Cl.** **D29/120; D24/192**

[58] **Field of Search** D24/190, 192;
602/27, 23, 5, 65; D29/120, 100; 36/72 R

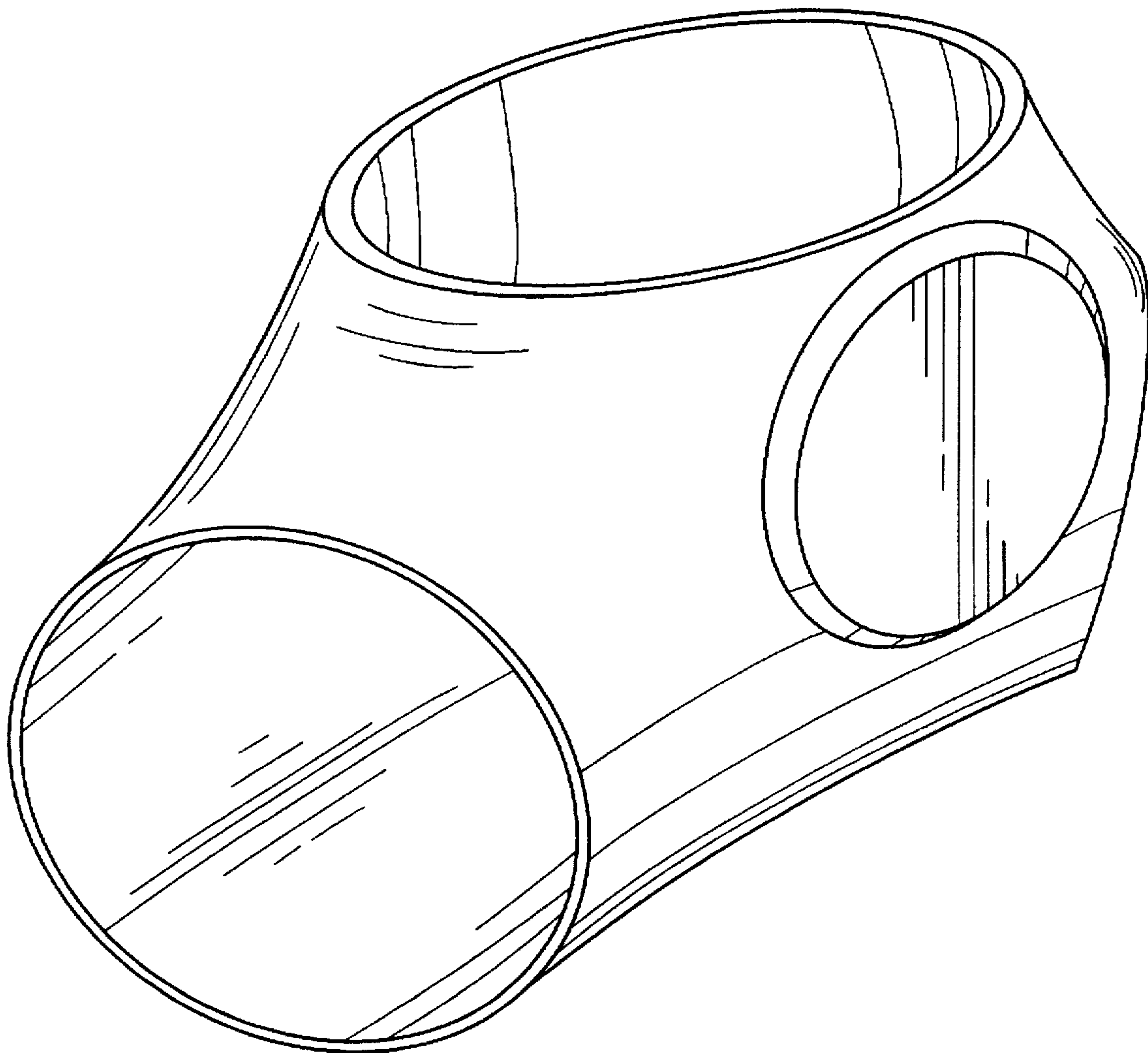
FIG. 1 is a perspective view of an ankle protector for hurdlers showing my new design;
FIG. 2 is a right side view thereof;
FIG. 3 is a left side view thereof;
FIG. 4 is a front view thereof;
FIG. 5 is a rear view thereof;
FIG. 6 is a top view thereof; and,
FIG. 7 is a bottom view thereof.

[56] **References Cited**

U.S. PATENT DOCUMENTS

4,313,433 2/1982 Cramer 602/27
4,974,343 12/1990 Davidson 602/27 X

1 Claim, 4 Drawing Sheets



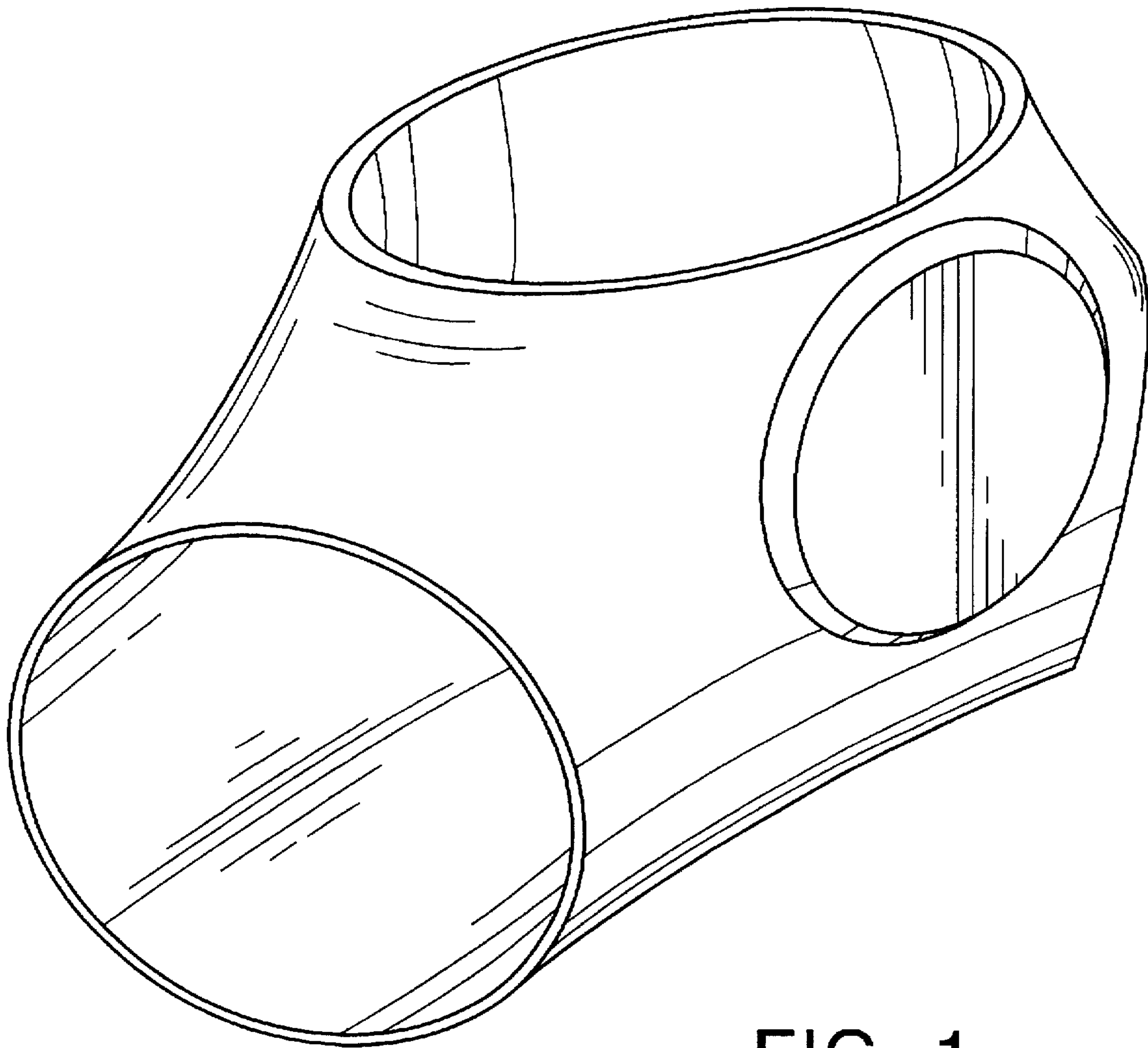


FIG. 1

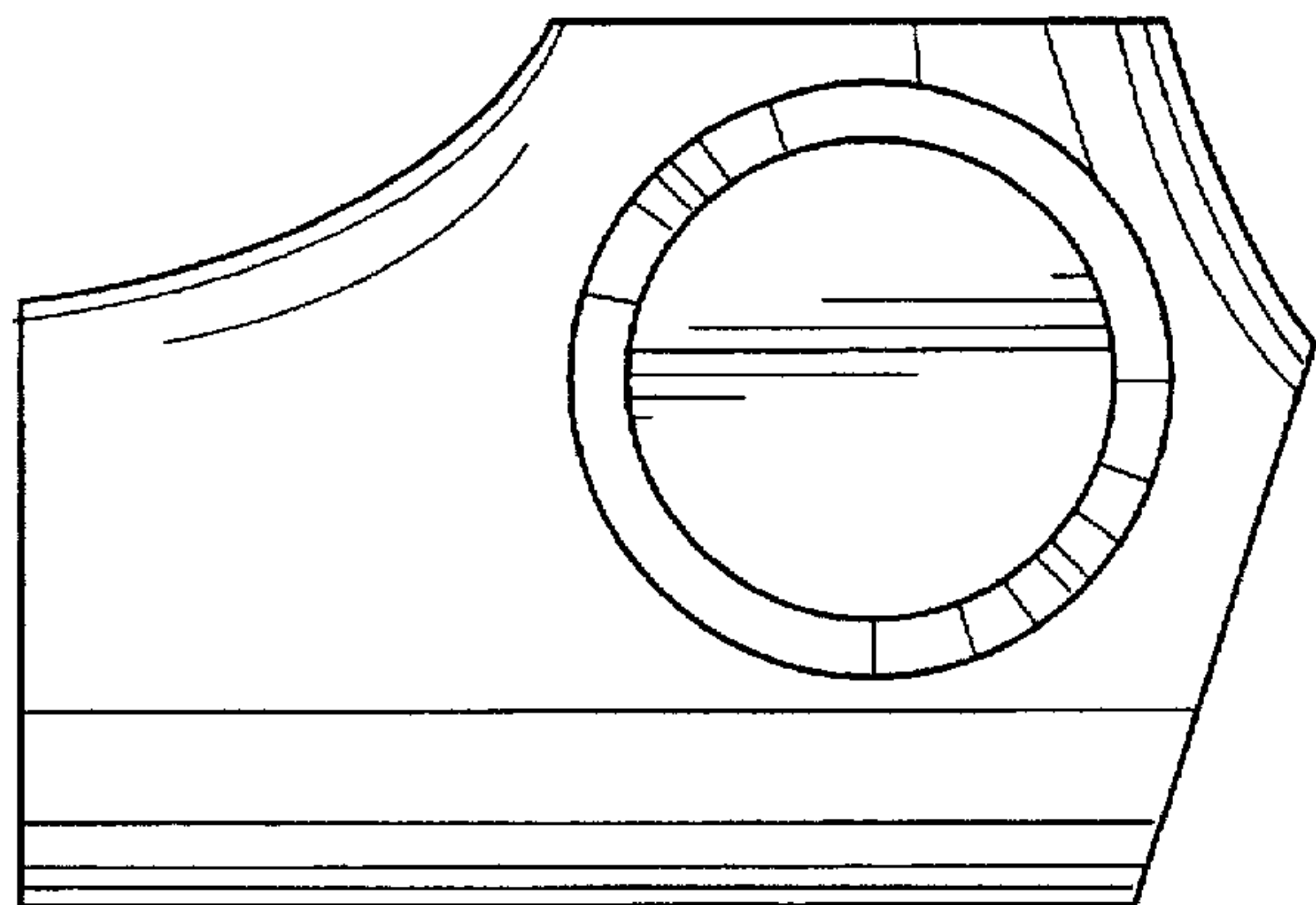


FIG. 2

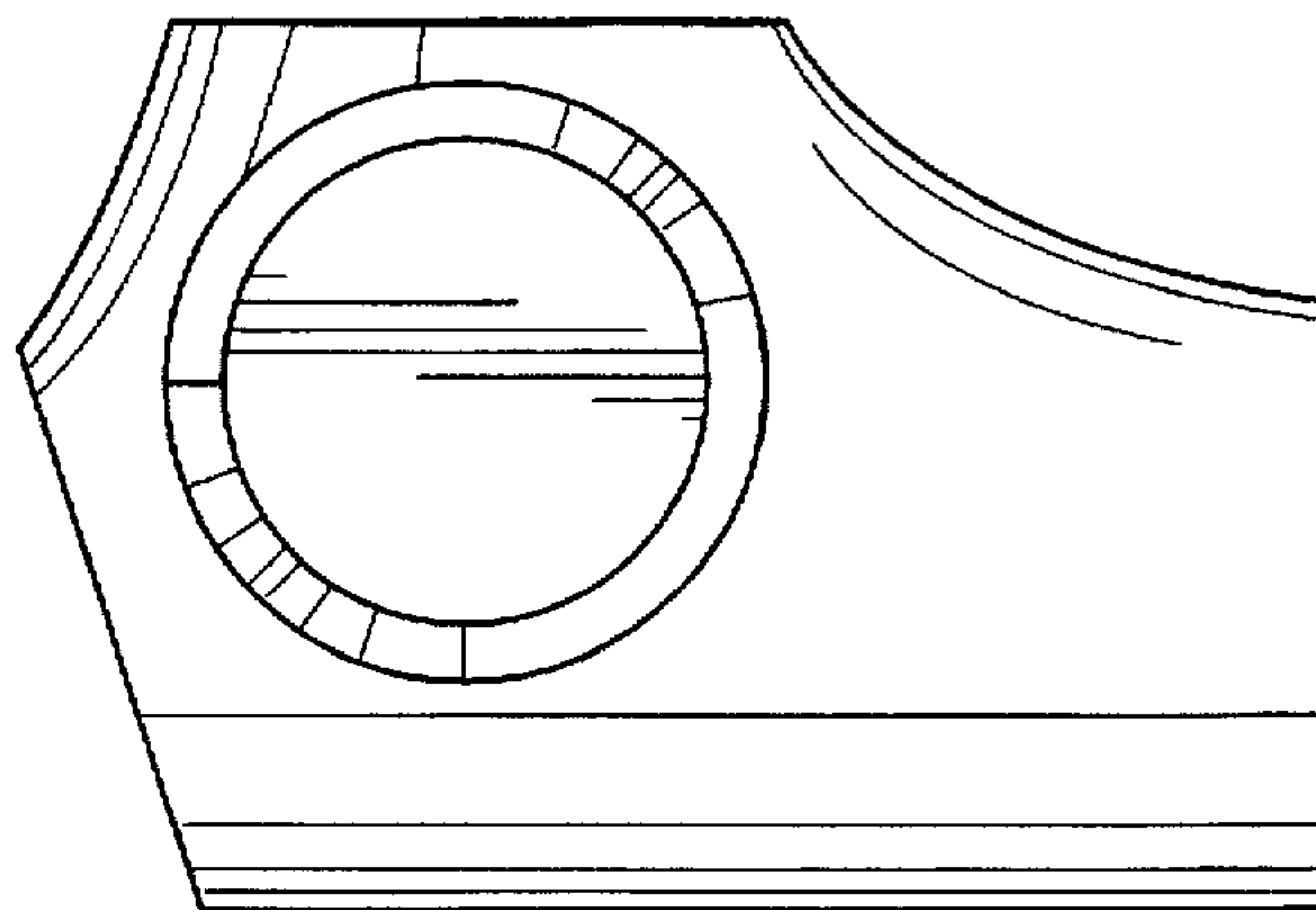


FIG. 3

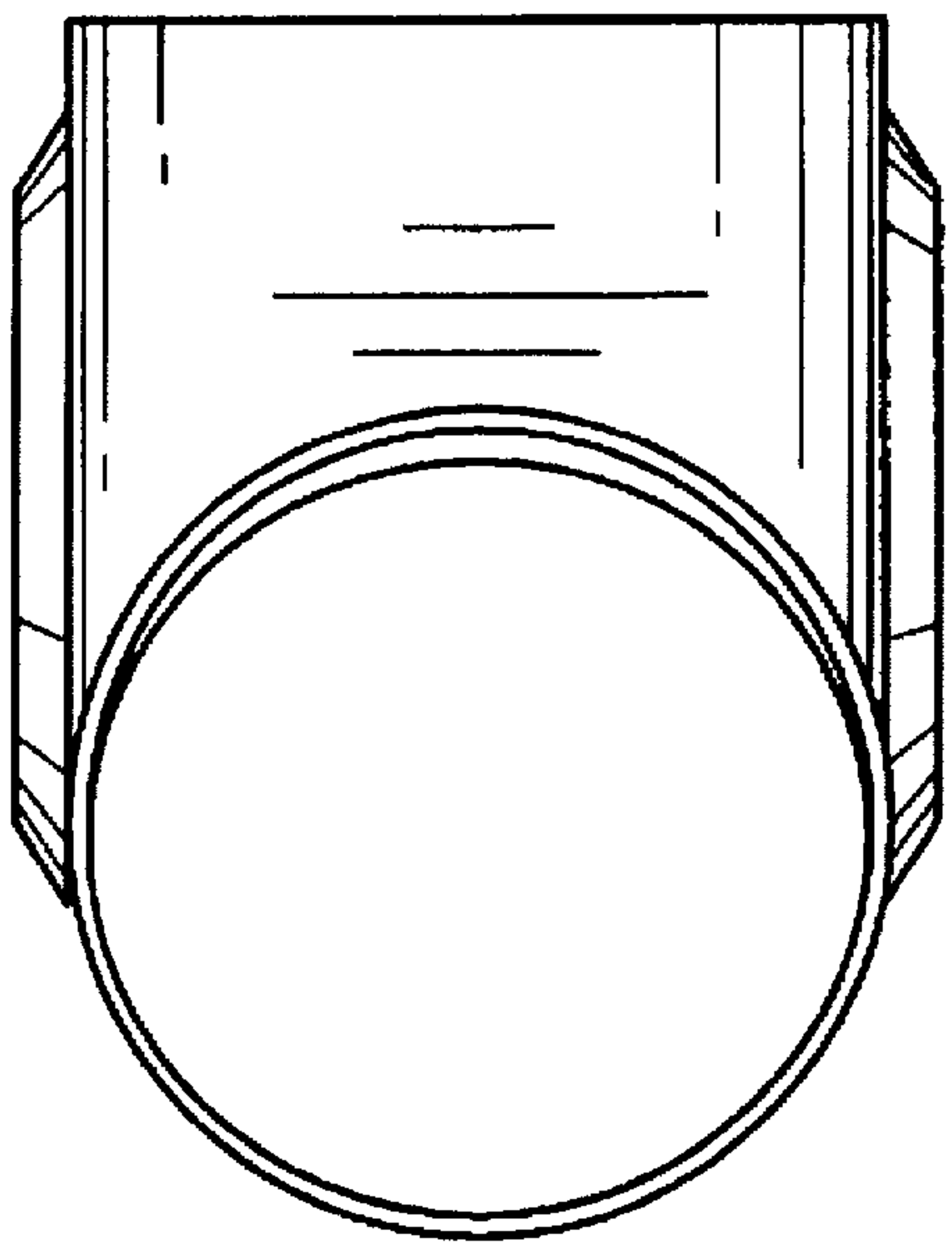


FIG. 4

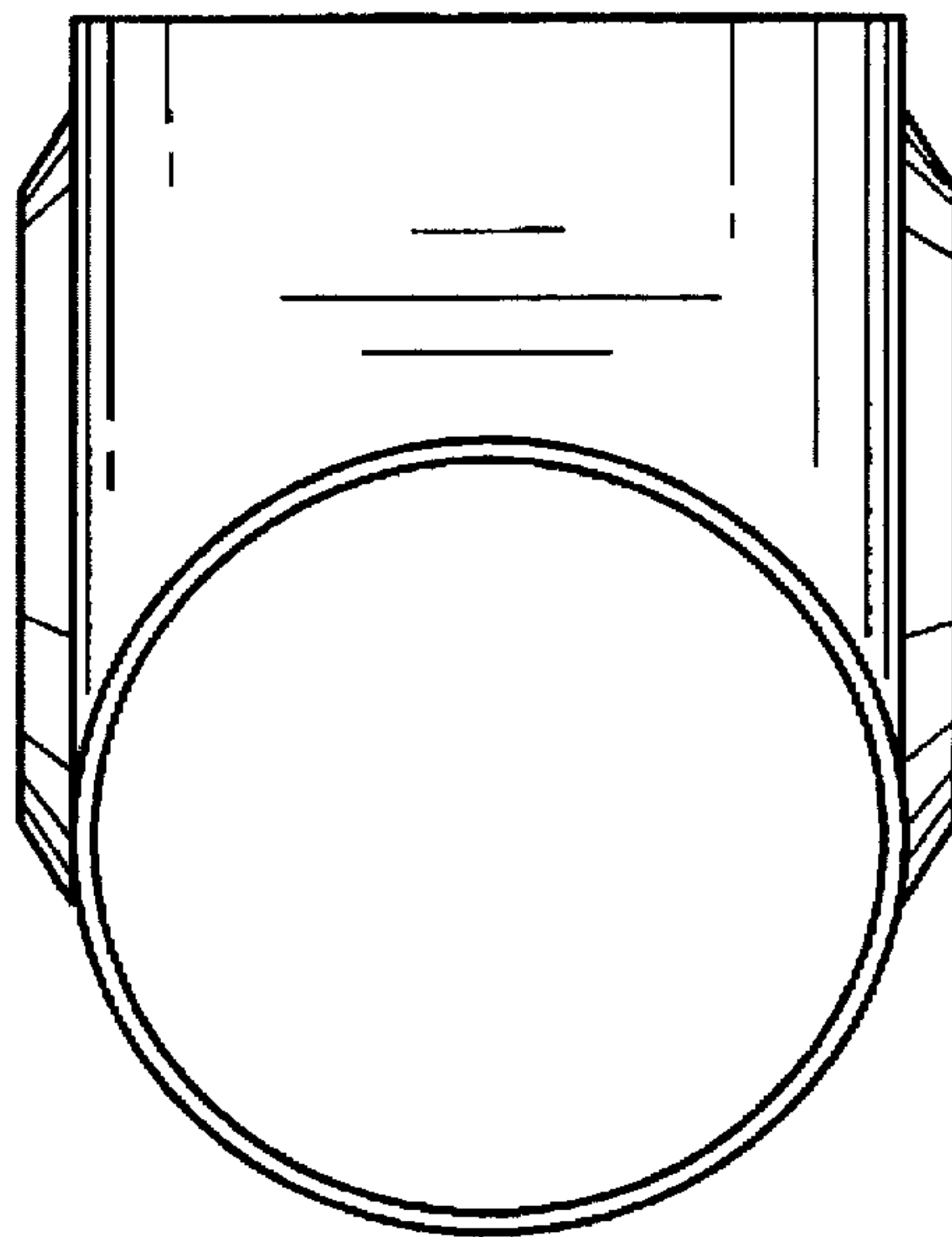


FIG. 5

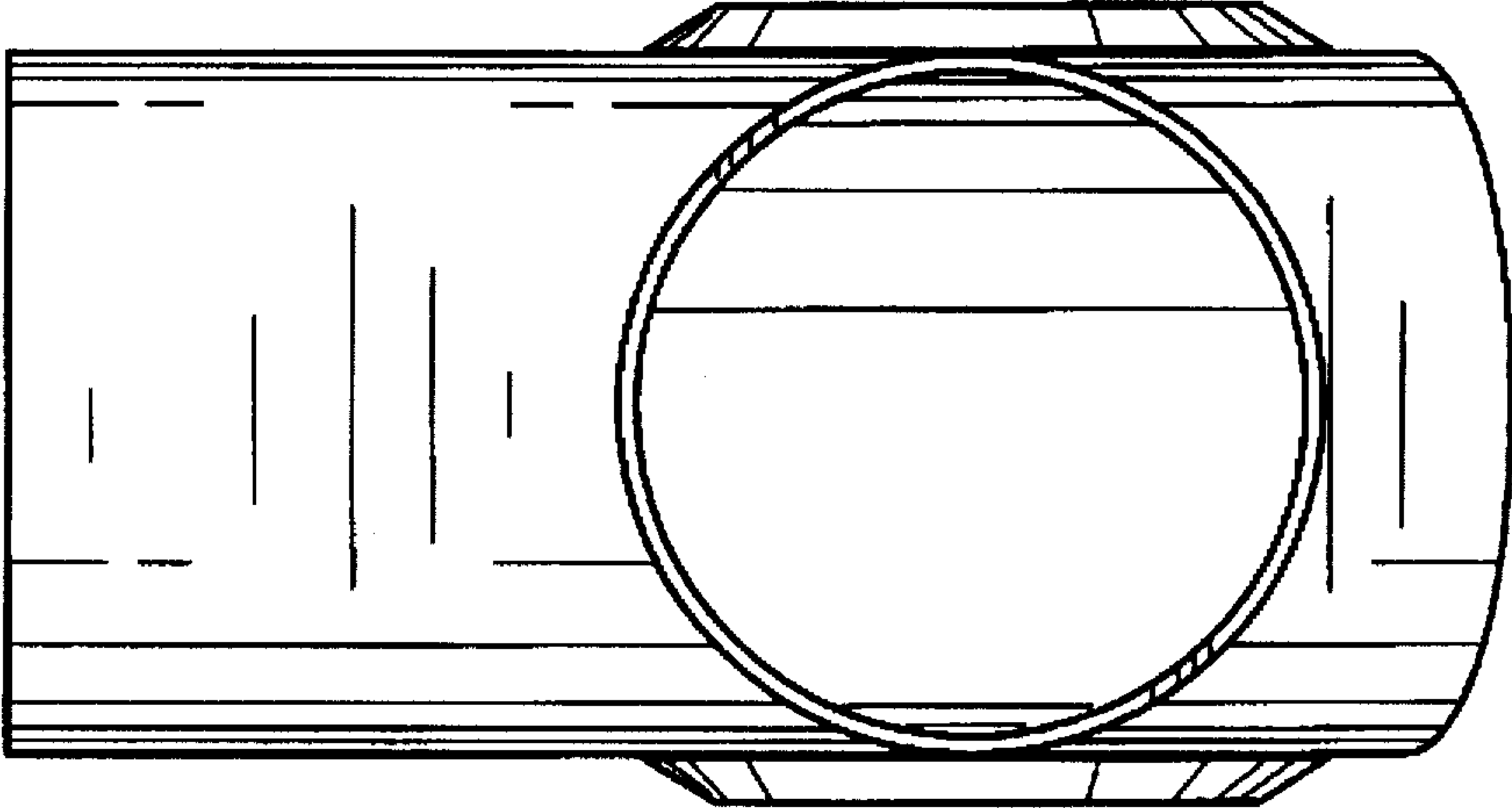


FIG. 6

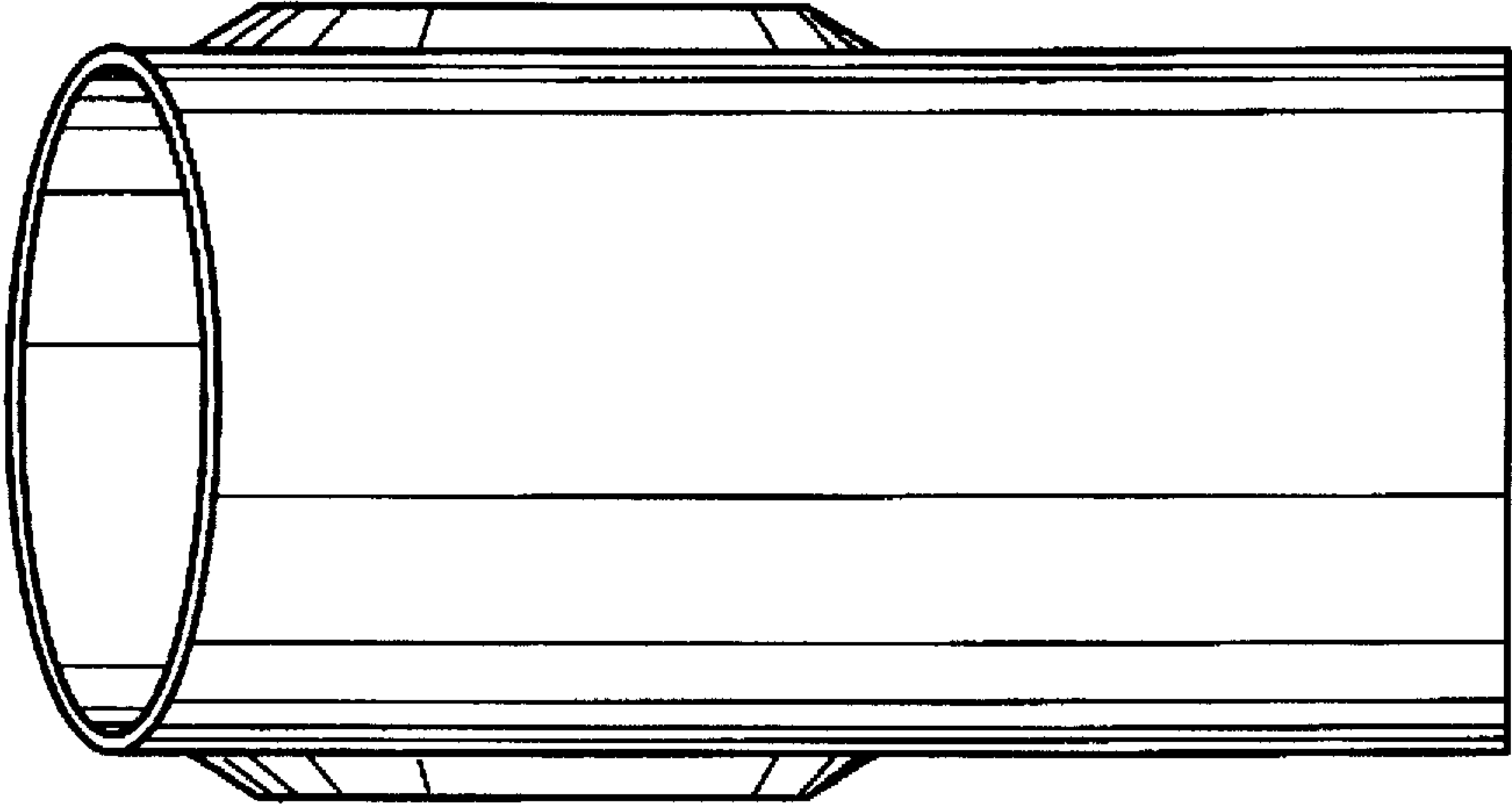


FIG. 7