



US00D385656S

United States Patent [19]
Celik

[11] **Patent Number:** **Des. 385,656**
[45] **Date of Patent:** ****Oct. 28, 1997**

[54] **HAIR BRAIDING TOOL**

[76] **Inventor:** **Cezahir Celik**, 8 Winchester Dr.,
Howell, N.J. 07731

[**] **Term:** **14 Years**

[21] **Appl. No.:** **60,674**

[22] **Filed:** **Oct. 3, 1996**

[51] **LOC (6) Cl.** **28-03**

[52] **U.S. Cl.** **D28/10**

[58] **Field of Search** D28/10, 35, 37,
D28/39; 132/210, 212, 213, 226, 245, 273,
275-278, 333

[56] **References Cited**

U.S. PATENT DOCUMENTS

D. 52,051	5/1918	Marcher	D28/42
D. 160,373	10/1950	Davis et al.	D28/35
D. 373,654	9/1996	Schach	D28/10
D. 374,306	10/1996	Query	D28/10
1,146,934	7/1915	Gleeson	132/273
1,774,390	8/1930	McGrath	132/226
5,036,870	8/1991	Edmark	132/212 X
5,518,011	5/1996	Nash	132/212
5,575,297	11/1996	Hatchett et al.	132/213 X

FOREIGN PATENT DOCUMENTS

186801 9/1956 Austria 132/253

Primary Examiner—Catherine Tuttle
Attorney, Agent, or Firm—Patrick J. Pinto

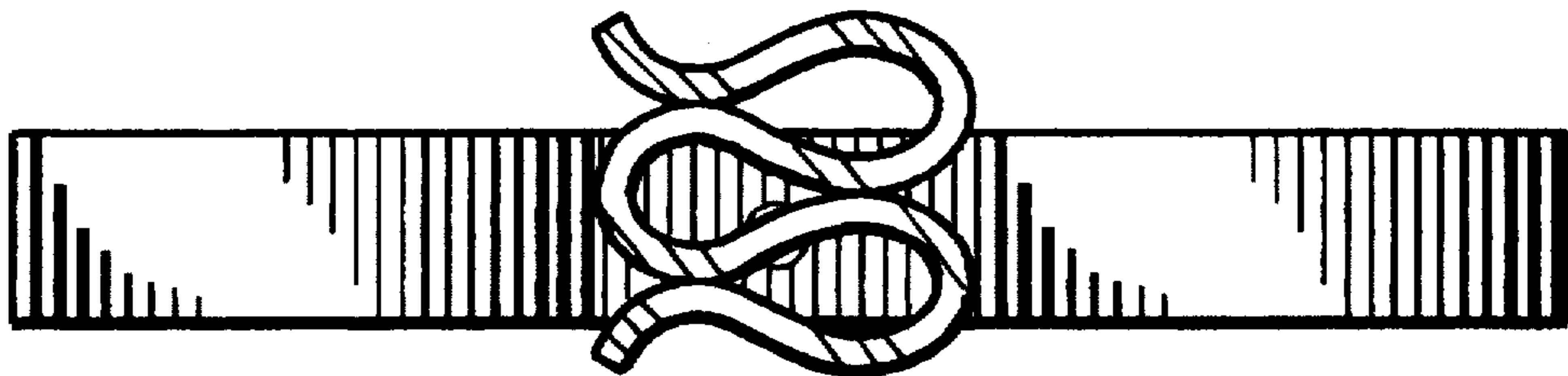
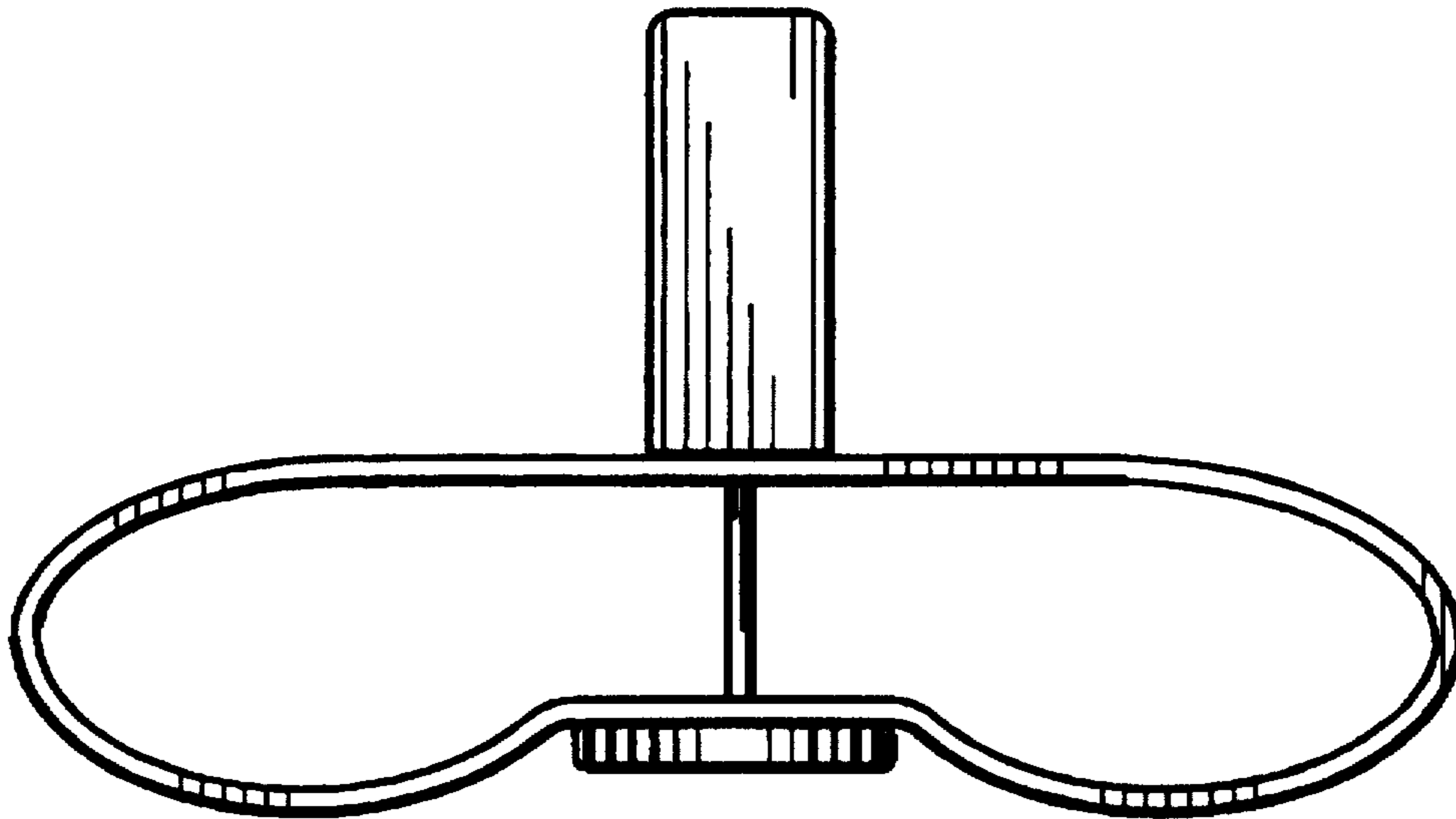
[57] **CLAIM**

The ornamental design for a hair braiding tool, as shown and described.

DESCRIPTION

FIG. 1 is a front elevation showing my new design, a rear elevation is a mirror image thereof;
FIG. 2 is a top view thereof;
FIG. 3 is a bottom view thereof;
FIG. 4 is a right side view thereof; a left side view is a mirror image thereof; and,
FIG. 5; represents a plan view thereof in a reduced scale, showing my new design in use on a head of hair, the broken lines showing the hair being for illustrative purposes only and forming no part of the claimed design.
The undisclosed and partially obscured surfaces of the design are unornamented and follow the contours of the surfaces shown.

1 Claim, 1 Drawing Sheet



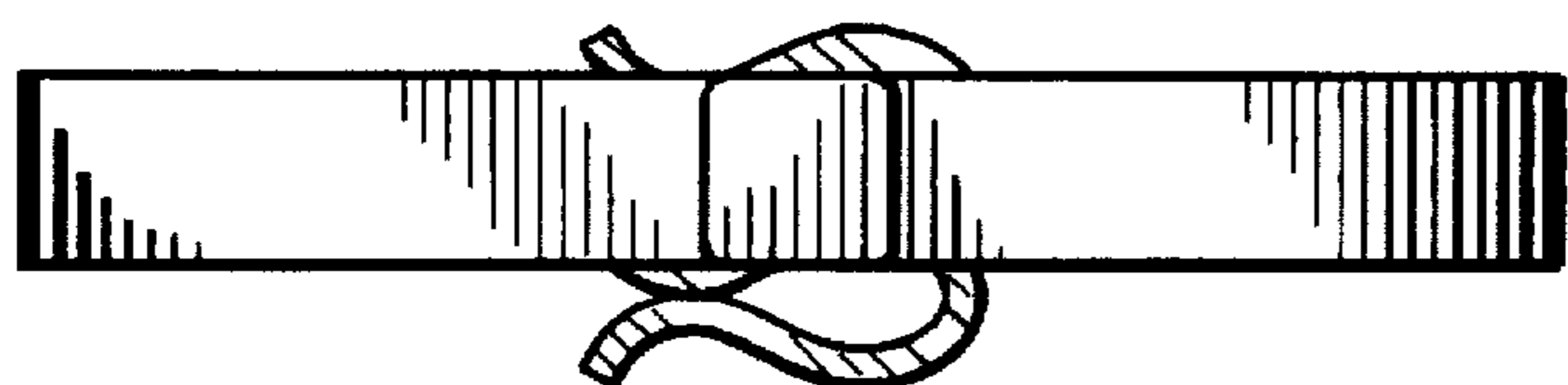


FIG. 2

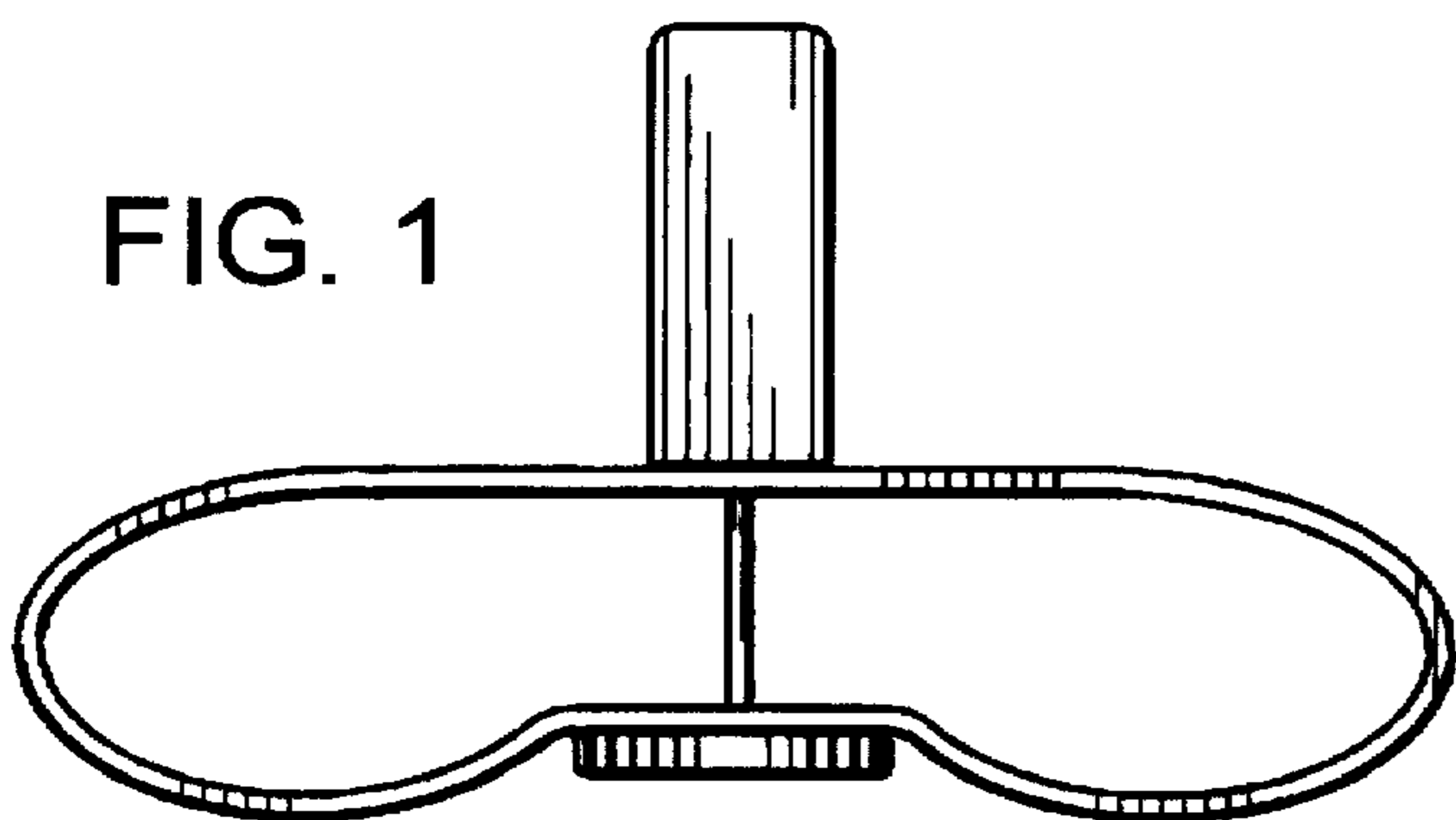


FIG. 1

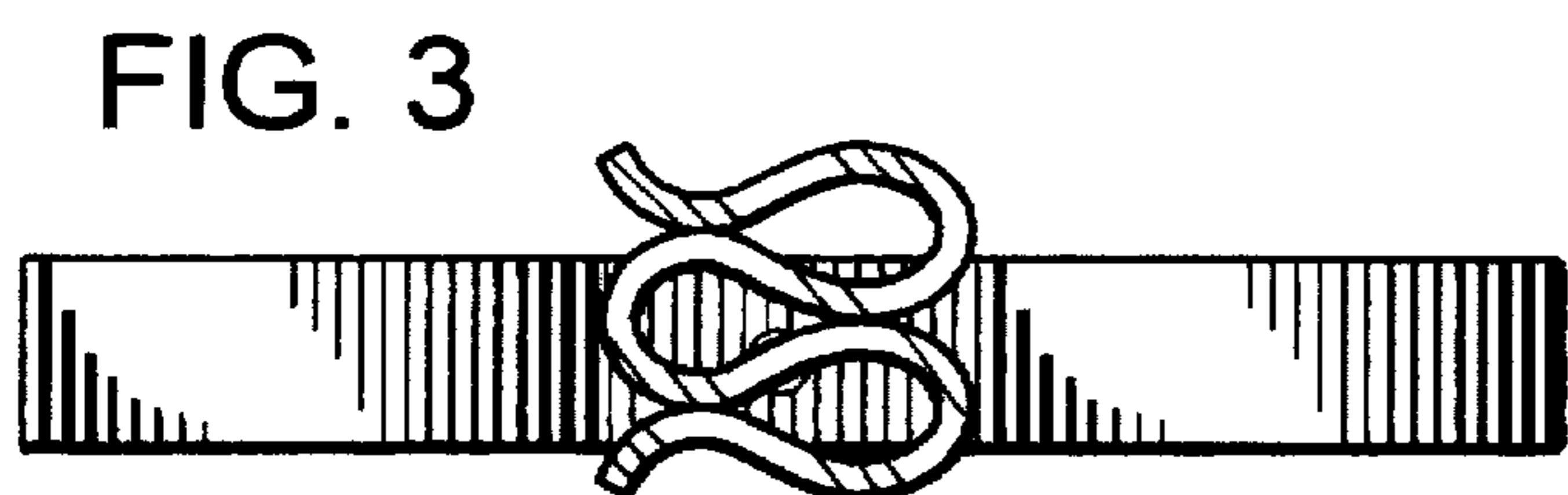


FIG. 3

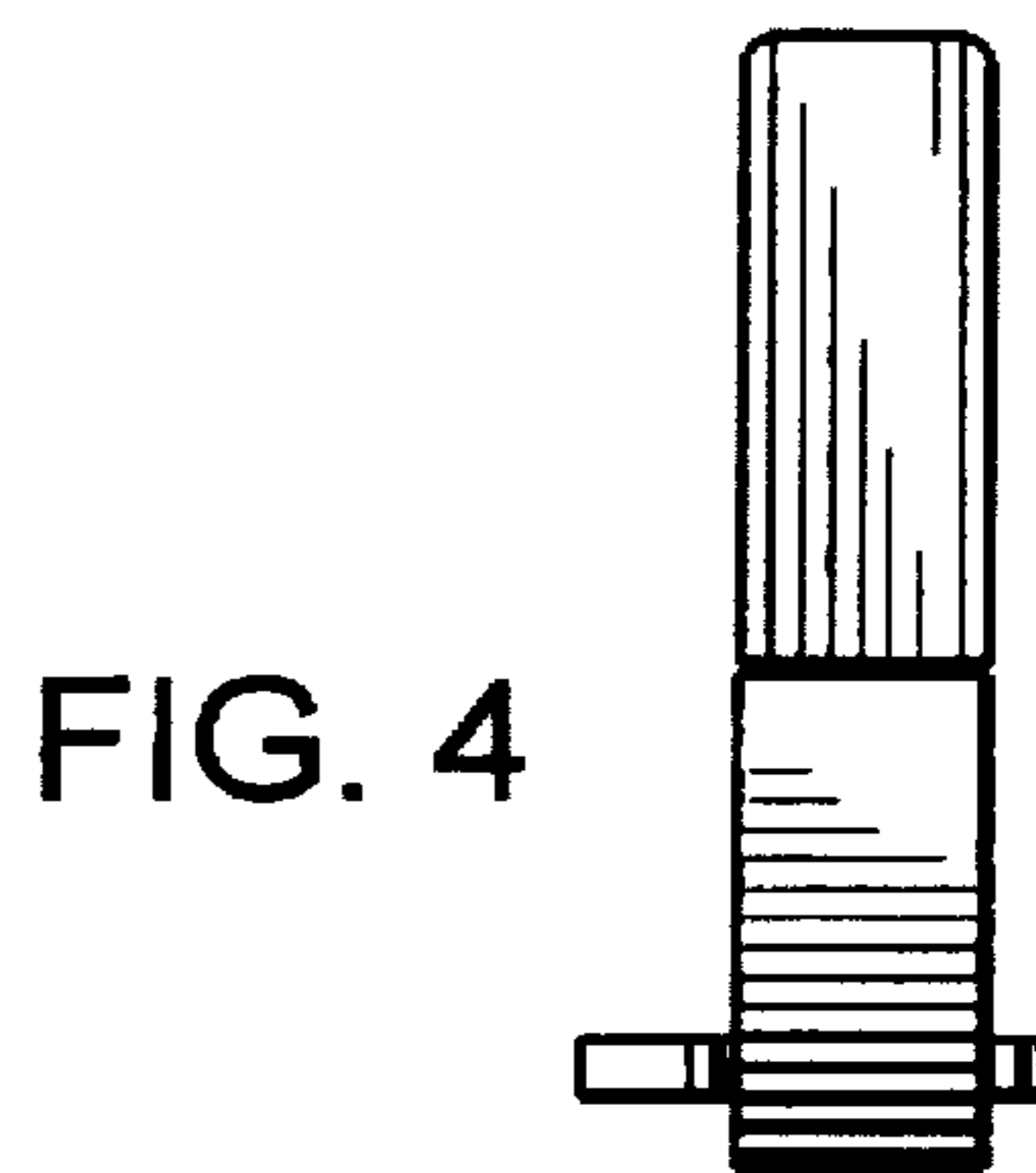


FIG. 4

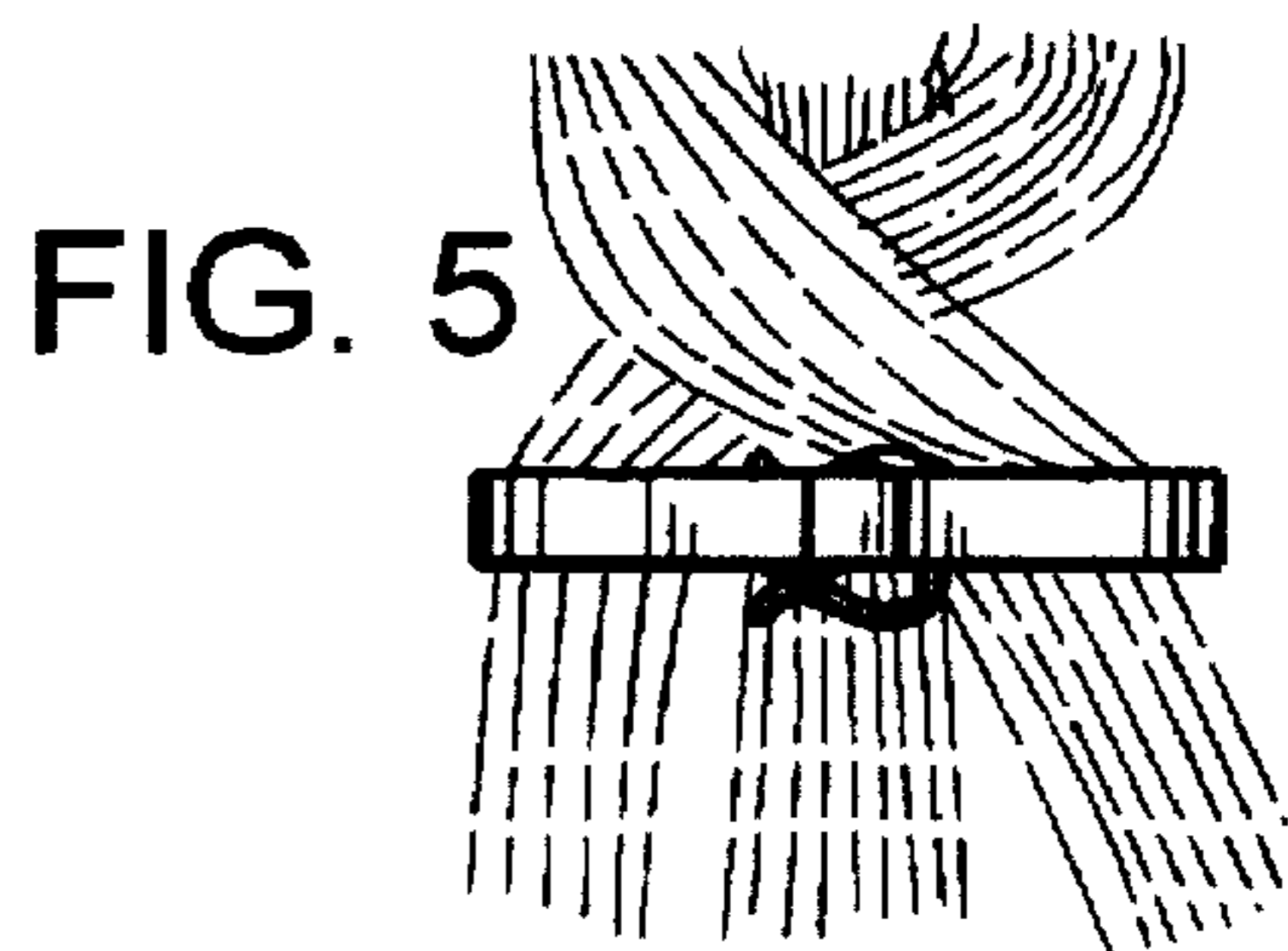


FIG. 5