

US00D385654S

United States Patent [19]

[11] Patent Number: **Des. 385,654**

Taylor et al.

[45] Date of Patent: ****Oct. 28, 1997**

[54] **CIGAR CUTTER**

703,162 6/1902 Todd, Jr. 131/255
5,535,763 7/1996 Conte 131/255

[76] Inventors: **Todd Taylor**, 2059 NW. Eastes; **Mark Blackwell**, 1208 NW. West Hills Ave., both of Bend, Oreg. 97701

Primary Examiner—Susan J. Lucas
Assistant Examiner—Jennifer Register
Attorney, Agent, or Firm—Chernoff, Vilhauer, McClung & Stenzel

[**] Term: **14 Years**

[57] **CLAIM**

[21] Appl. No.: **60,446**

The ornamental design for a cigar cutter, as shown and described.

[22] Filed: **Sep. 24, 1996**

DESCRIPTION

[51] LOC (6) Cl. **27-99**

[52] U.S. Cl. **D27/195**

[58] Field of Search D27/195, 193,
D27/194; 131/188, 252, 253, 187, 270,
255, 330; 30/113, 111, 109, 112

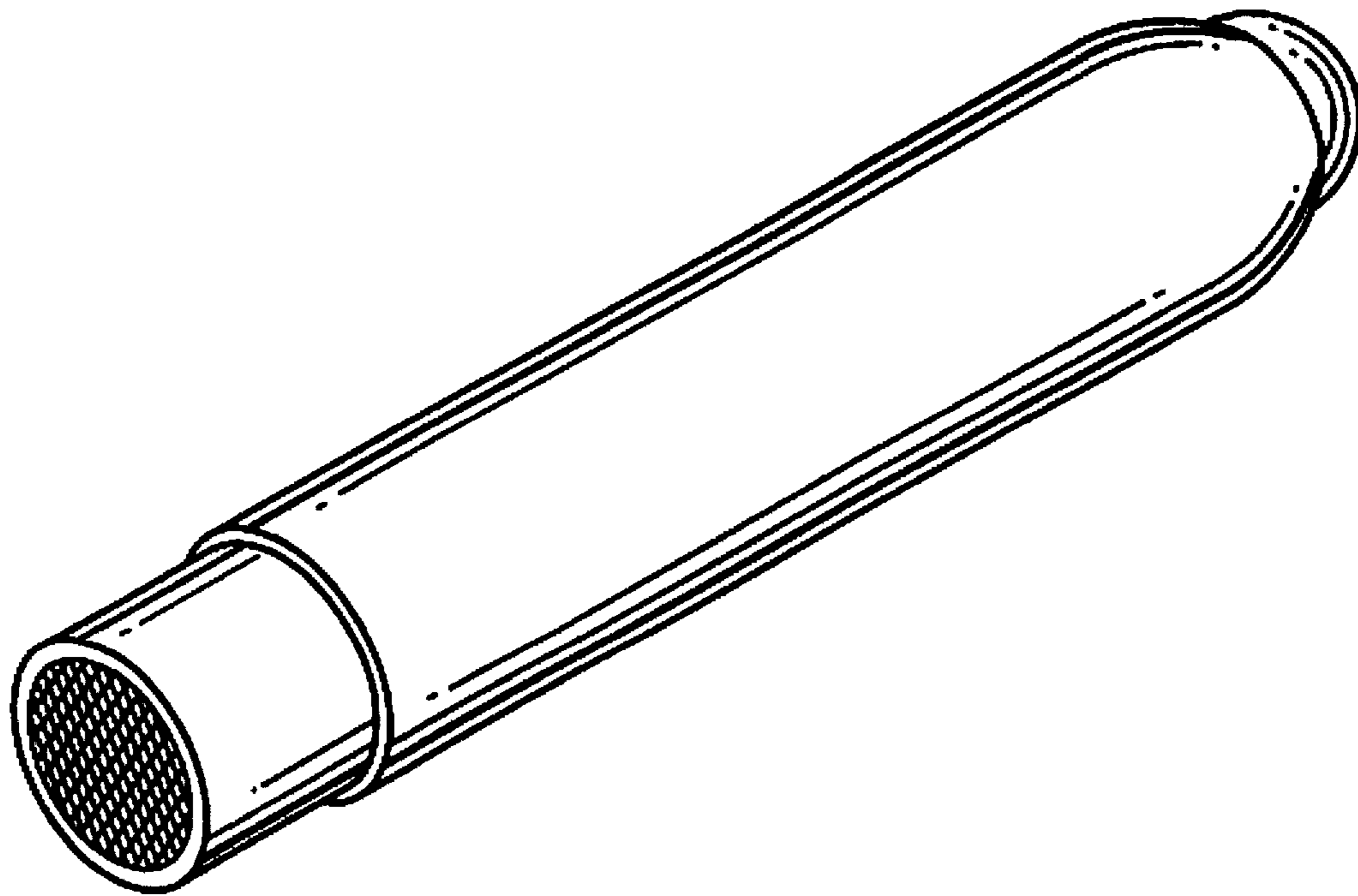
FIG. 1 is a perspective view of a cigar cutter embodying our new design;
FIG. 2 is a side view thereof with the opposite side being a mirror image;
FIG. 3 is a top view thereof; and,
FIG. 4 is a bottom view thereof.

[56] **References Cited**

U.S. PATENT DOCUMENTS

282,764 8/1883 Peavey 30/113

1 Claim, 1 Drawing Sheet



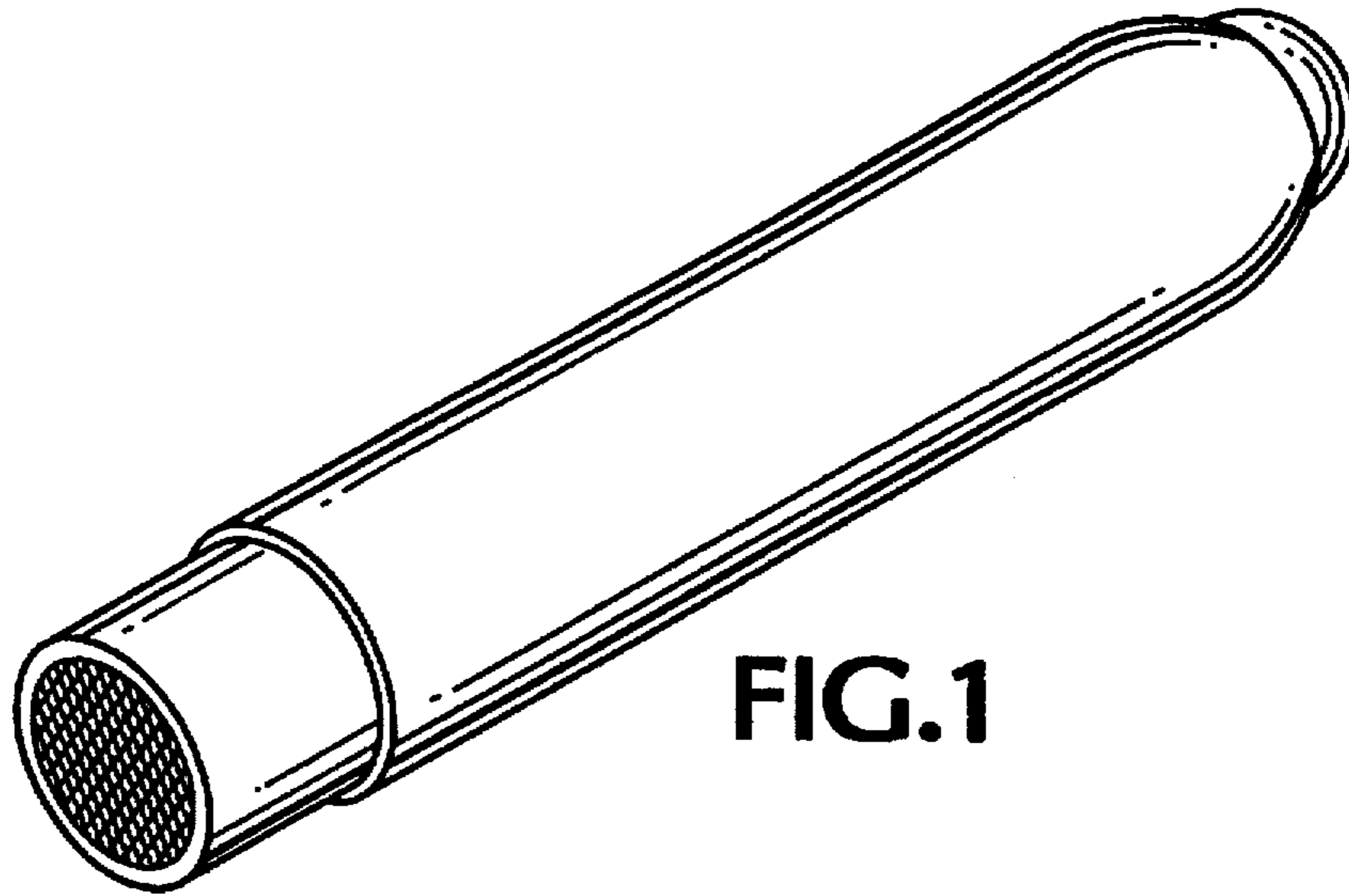


FIG. 1

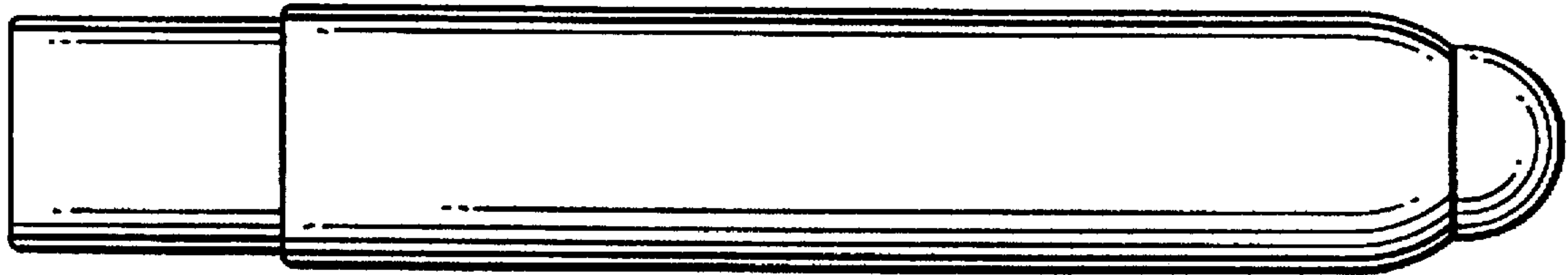


FIG. 2

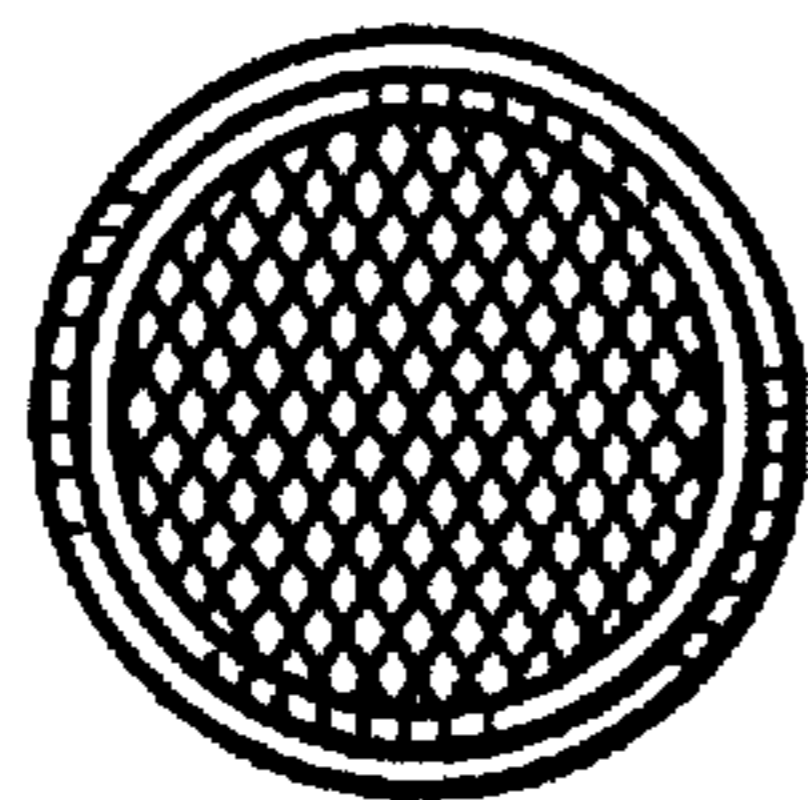


FIG. 3

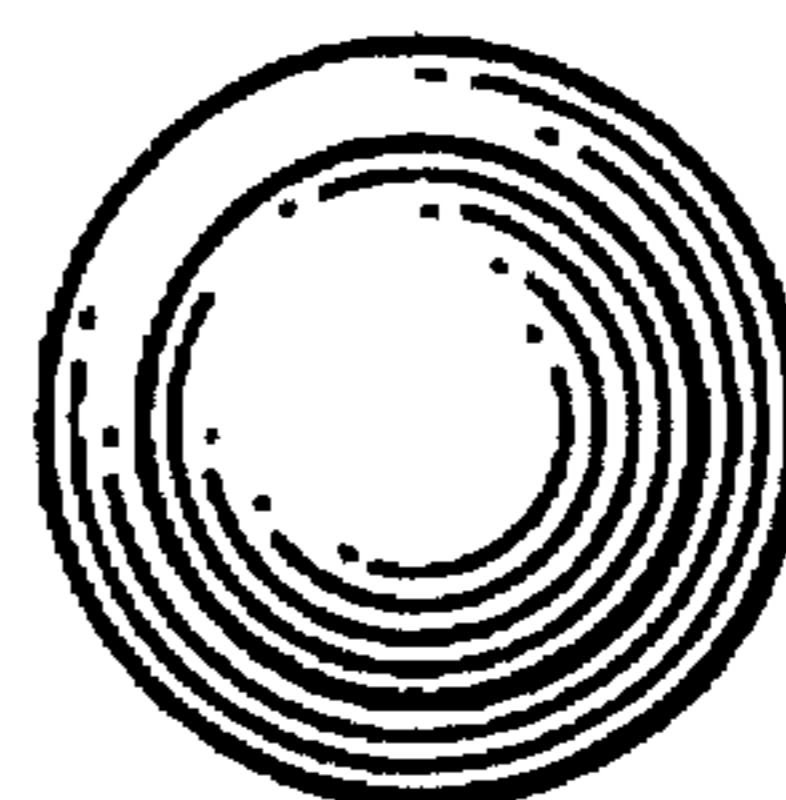


FIG. 4