



US00D385652S

United States Patent [19]

[11] Patent Number: **Des. 385,652**

Haslam et al.

[45] Date of Patent: ****Oct. 28, 1997**

[54] **DECORATIVE LANTERN BASE**

[75] Inventors: **Gary M. Haslam, Graham; Suleyman O. Sumer, Chapel Hill, both of N.C.**

[73] Assignee: **Regent Lighting Corporation, Burlington, N.C.**

[**] Term: **14 Years**

[21] Appl. No.: **38,323**

[22] Filed: **May 3, 1995**

[51] LOC (6) Cl. **26-05**

[52] U.S. Cl. **D26/142; D26/92**

[58] Field of Search **D26/67, 68, 69, D26/70, 71, 72, 80-92, 142, 149, 153; 362/147, 431, 432**

[56] **References Cited**

U.S. PATENT DOCUMENTS

D. 315,424	3/1991	Claytor	D26/122
3,958,118	5/1976	Schwartz	250/221
3,988,726	10/1976	Reiss et al.	340/258 D
4,787,722	11/1988	Claytor	350/452
5,282,118	1/1994	Lee	362/276
5,308,985	5/1994	Lee	250/353

OTHER PUBLICATIONS

Kicehler Lighting Catalog© 1989 p. 105, Wall Lantern #K9721, Base.

Progress Lanterns Catalog, p. 3 Wall Lantern #P5937, Base. Advertisement "Automatic Two Level Lighting", about Jun. 1994.

Advertisement "Motion Activated 300 Watt Quartz Halogen Floodlight", about Jun. 1992.

Advertisement "Motion Activated Twin Floodlight Kit", about Dec. 1993.

Primary Examiner—Susan J. Lucas

Attorney, Agent, or Firm—Olive & Olive, P.A.

[57] **CLAIM**

The ornamental design for a decorative lantern base, as shown and described.

DESCRIPTION

FIG. 1 is a front elevational view of the decorative lantern base showing our new design the broken lines being shown for illustrative purposes only and forming no part of the claimed design;

FIG. 2 is a top plan view thereof;

FIG. 3 is a bottom plan view thereof;

FIG. 4 is a left side elevational view thereof;

FIG. 5 is a right side elevational view thereof;

FIG. 6 is a fragmentary elevational view of a second embodiment of the new design;

FIG. 7 is a top plan view of the embodiment of FIG. 6;

FIG. 8 is a bottom plan view thereof;

FIG. 9 is a fragmentary left side elevational view of a second embodiment of the new design;

FIG. 10 is a fragmentary rear elevational view of a second embodiment of the new design;

FIG. 11 is a fragmentary front elevational view of a third embodiment of the new design;

FIG. 12 is a top plan view of the embodiment of FIG. 11;

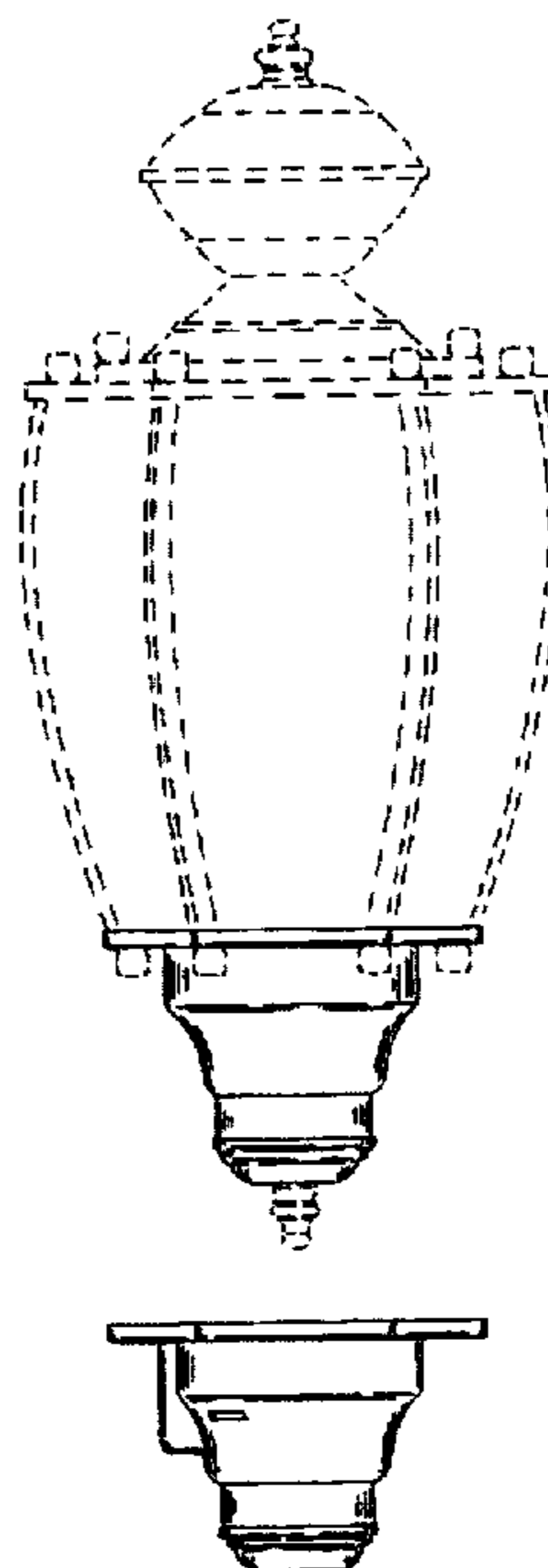
FIG. 13 is a bottom plan view thereof;

FIG. 14 is a fragmentary left side elevational view of a third embodiment of the new design; and,

FIG. 15 is a fragmentary rear elevational view of a third embodiment of the new design;

The elevational views of the second and third embodiments are fragmentarily shown for convenience of illustration, it being understood that the front, sides and rear of each of these embodiments is identical to those of the first embodiment as shown in FIGS. 1, 4 and 5.

1 Claim, 2 Drawing Sheets



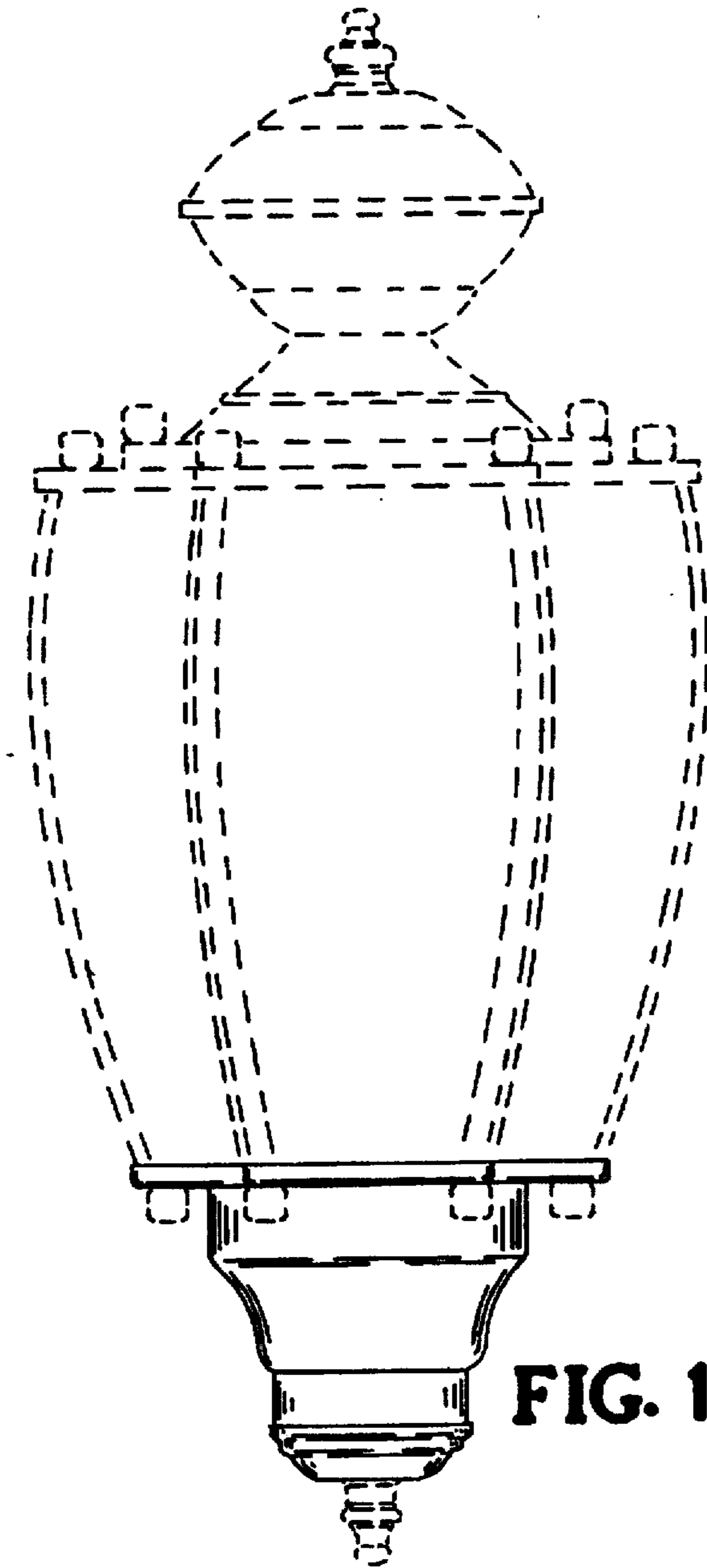


FIG. 1

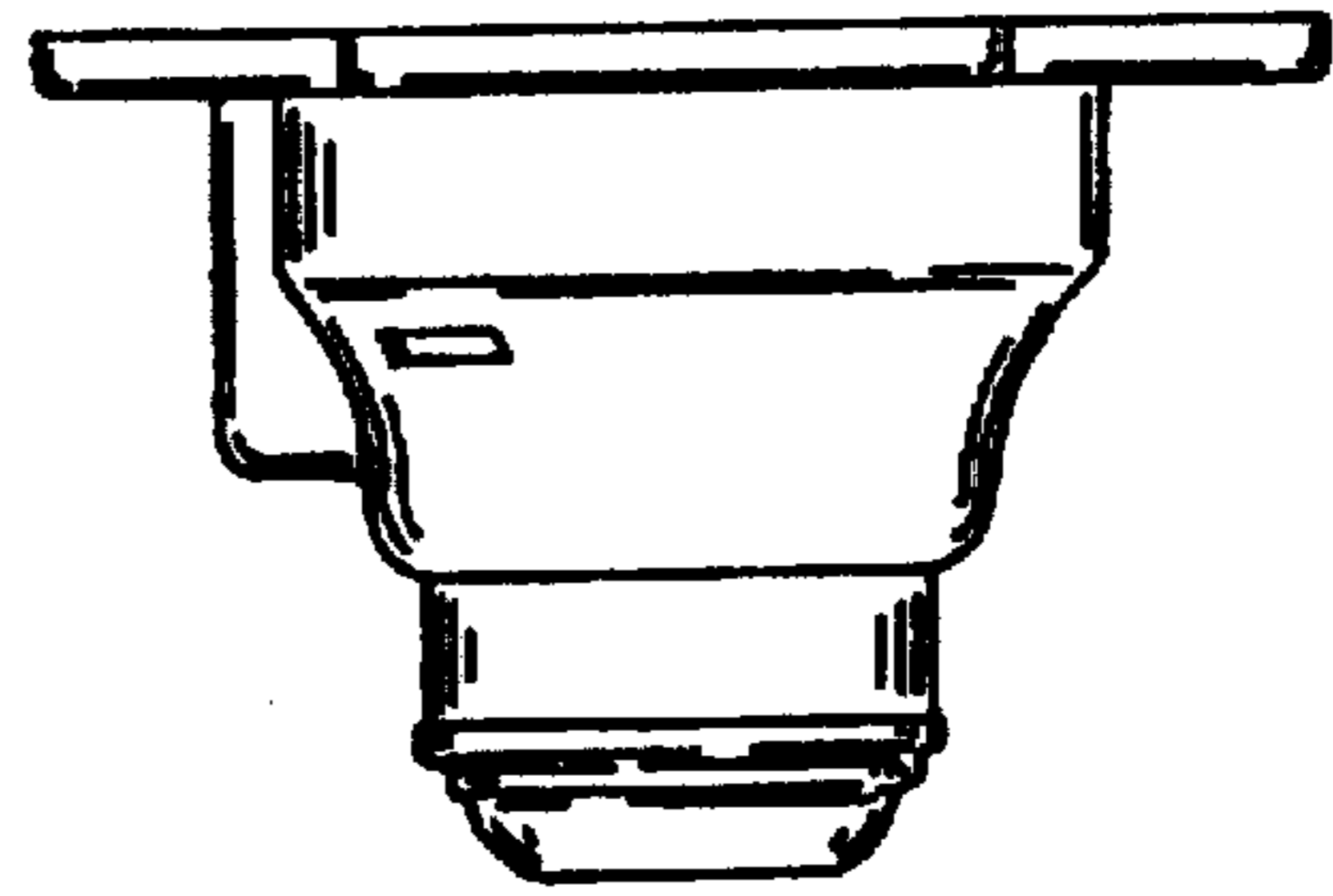


FIG. 4

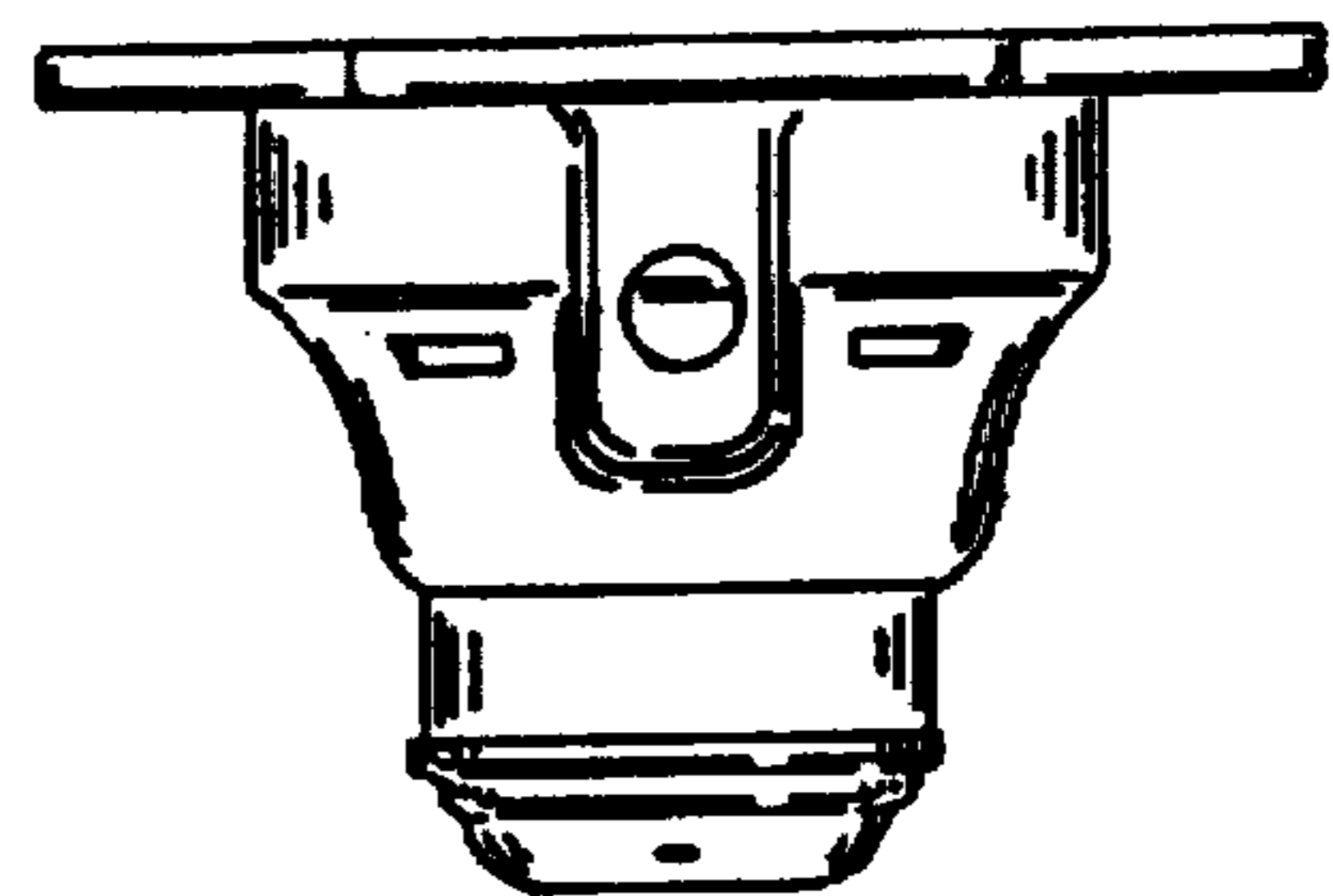


FIG. 5

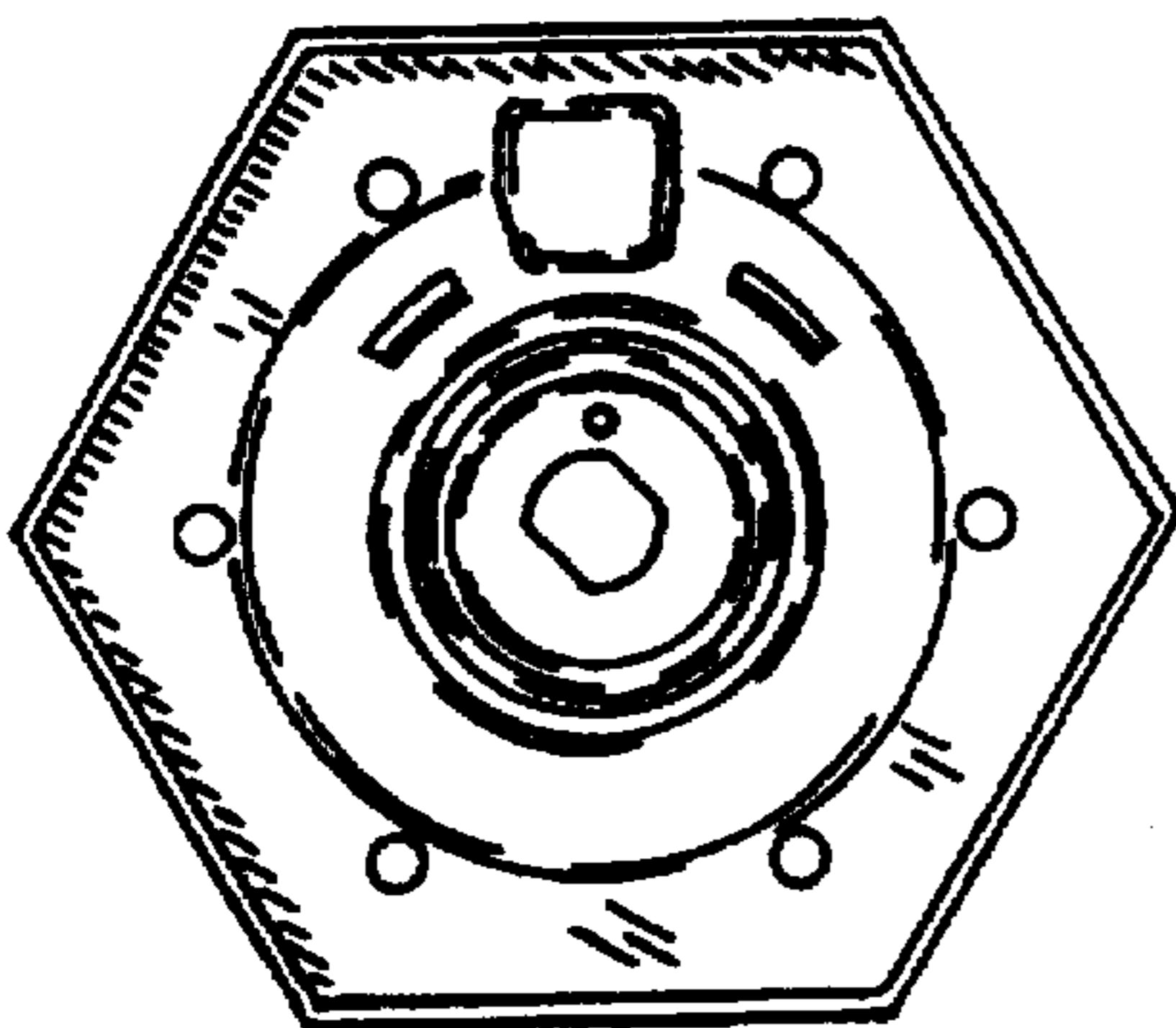


FIG. 2

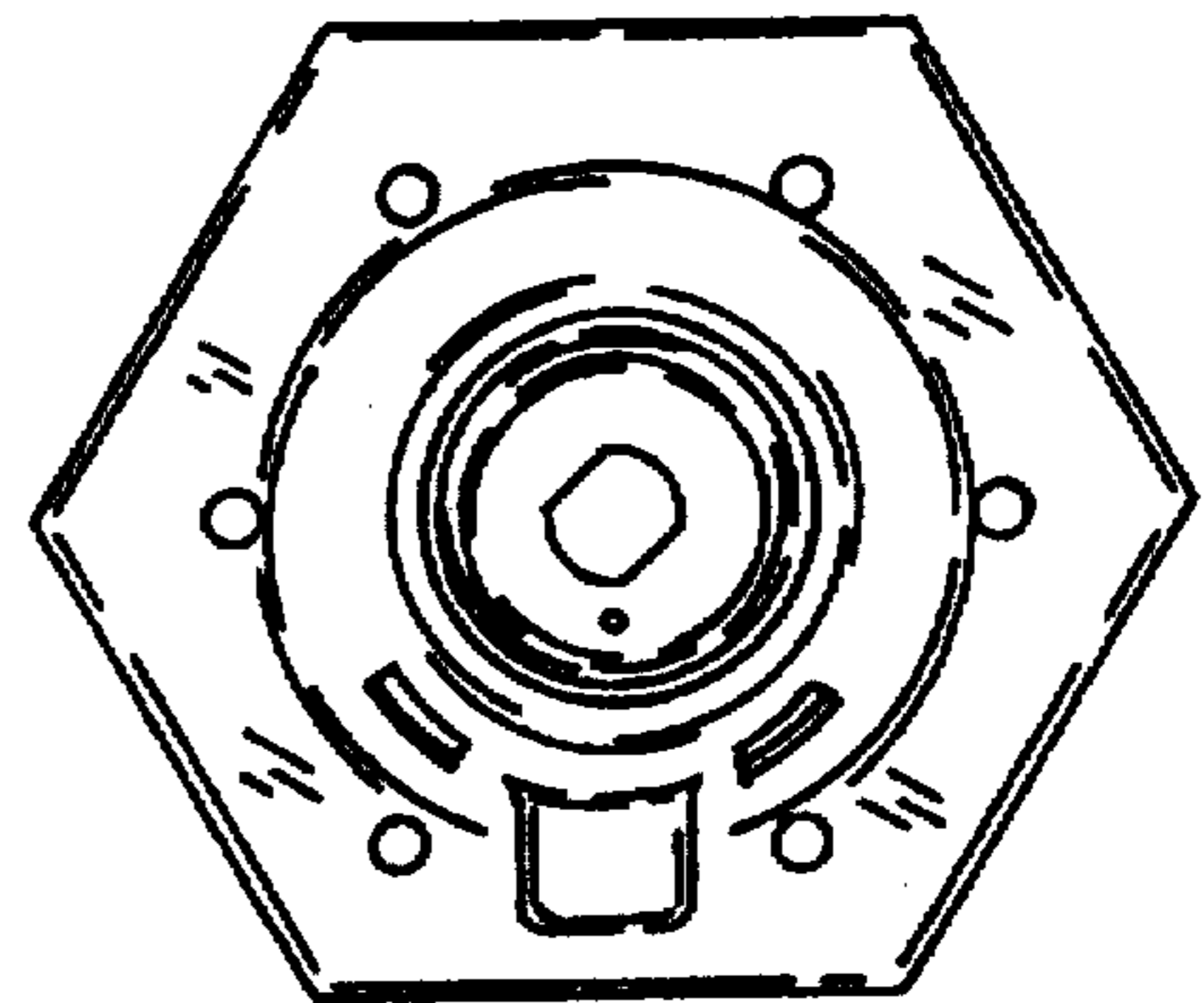


FIG. 3

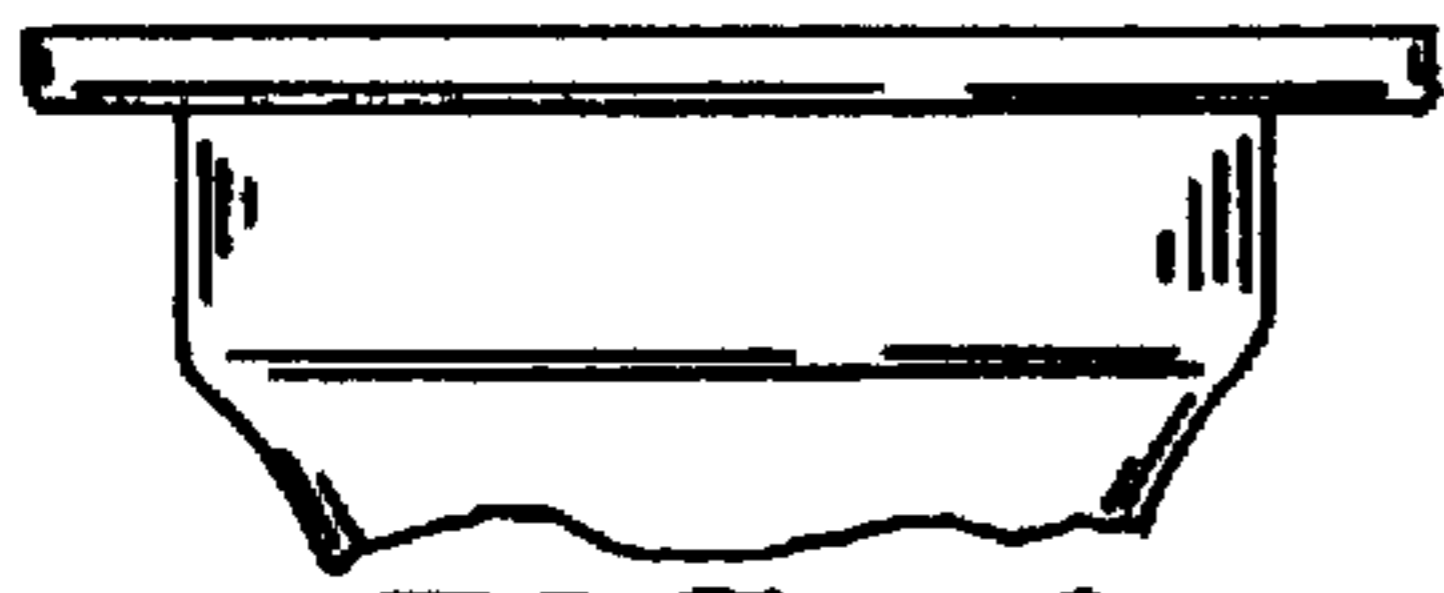


FIG. 6

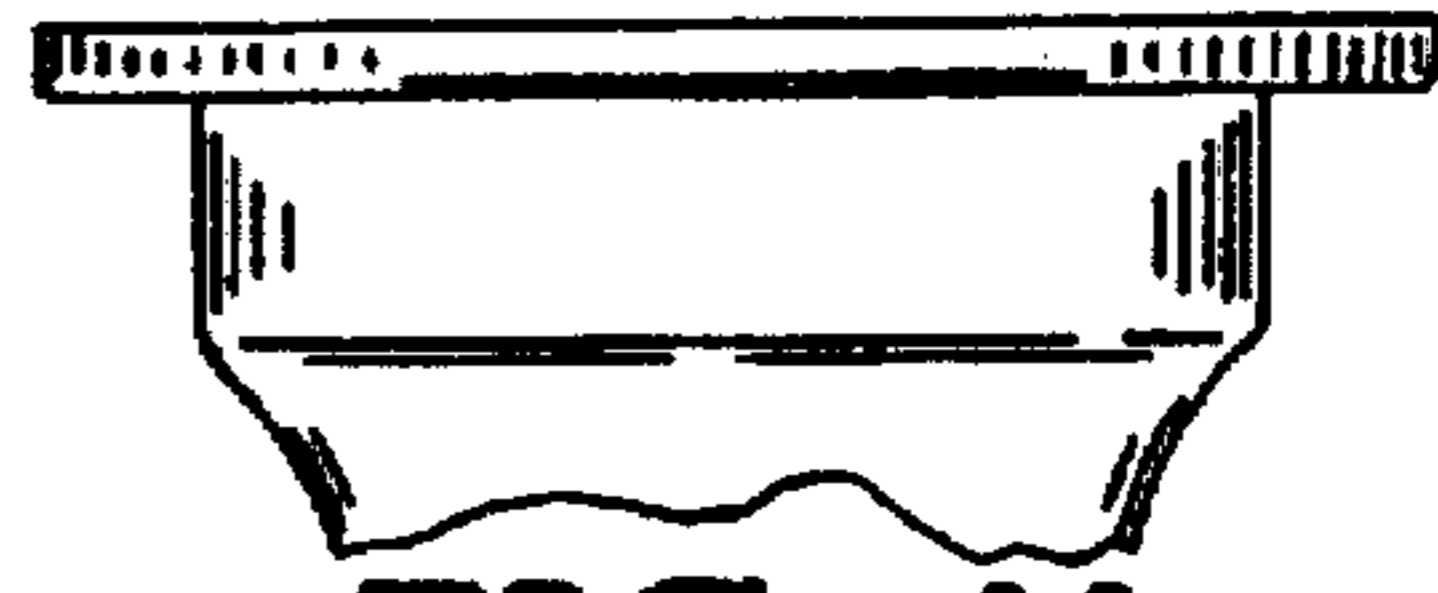


FIG. 11

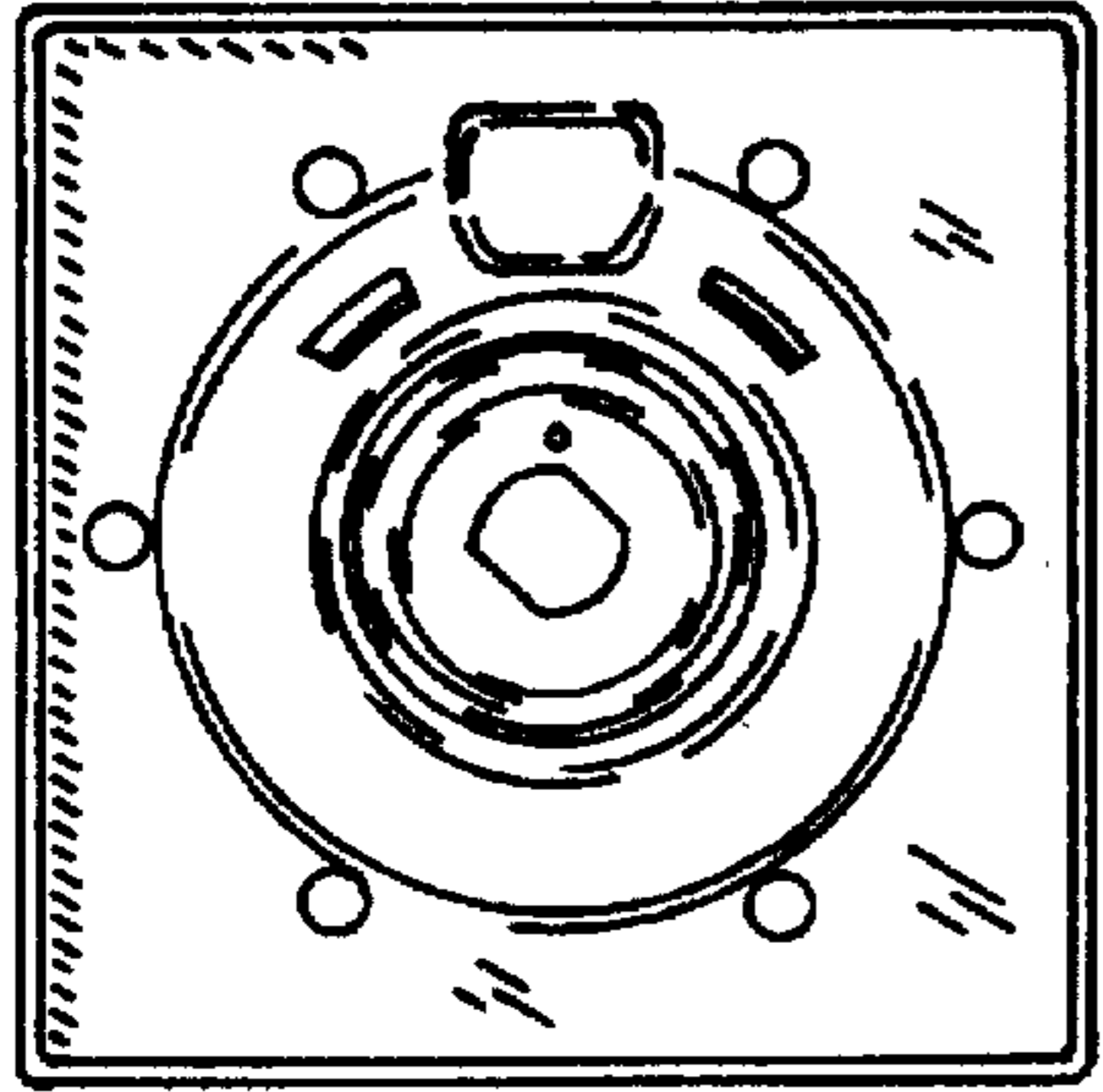


FIG. 7

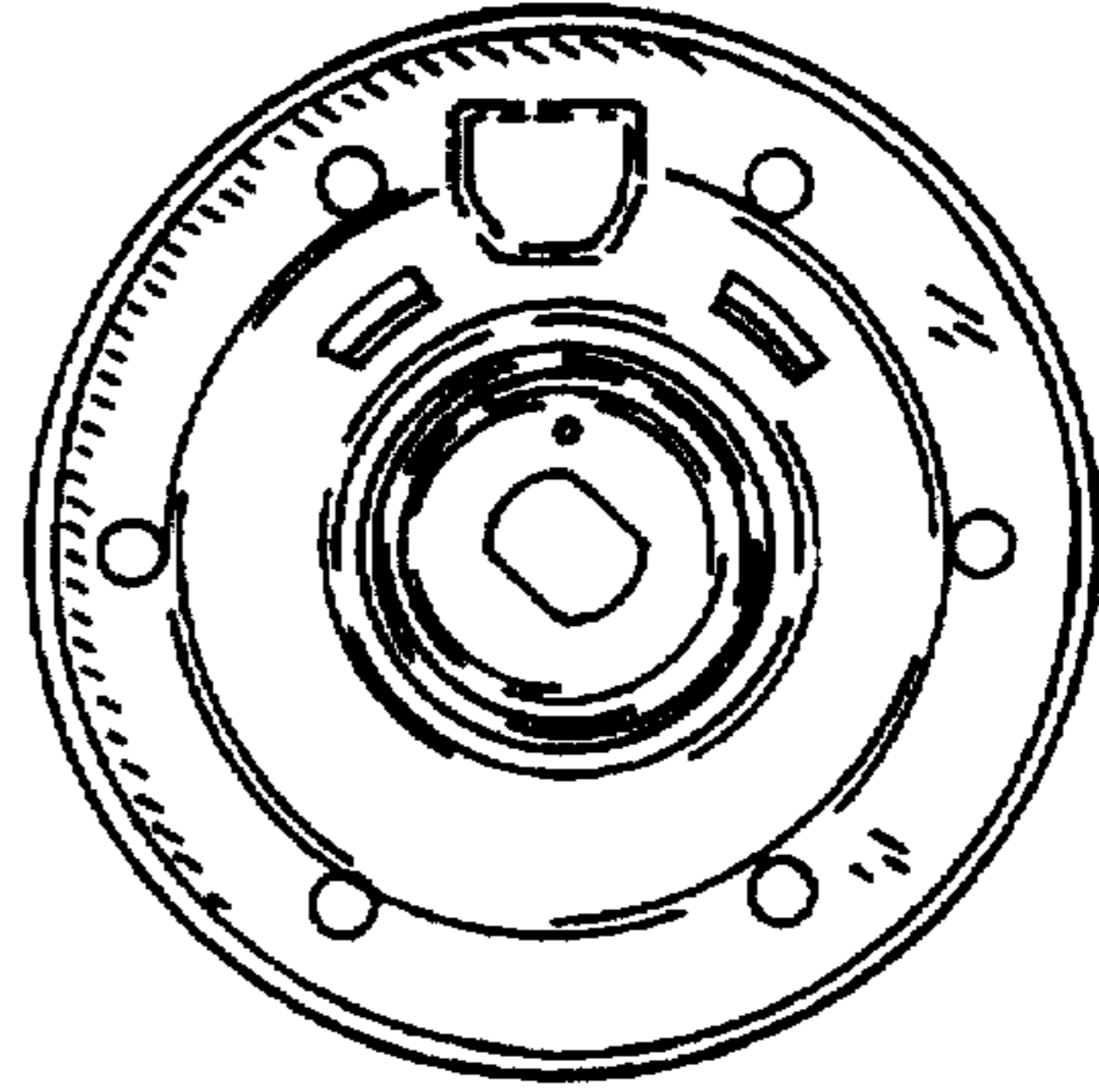


FIG. 12

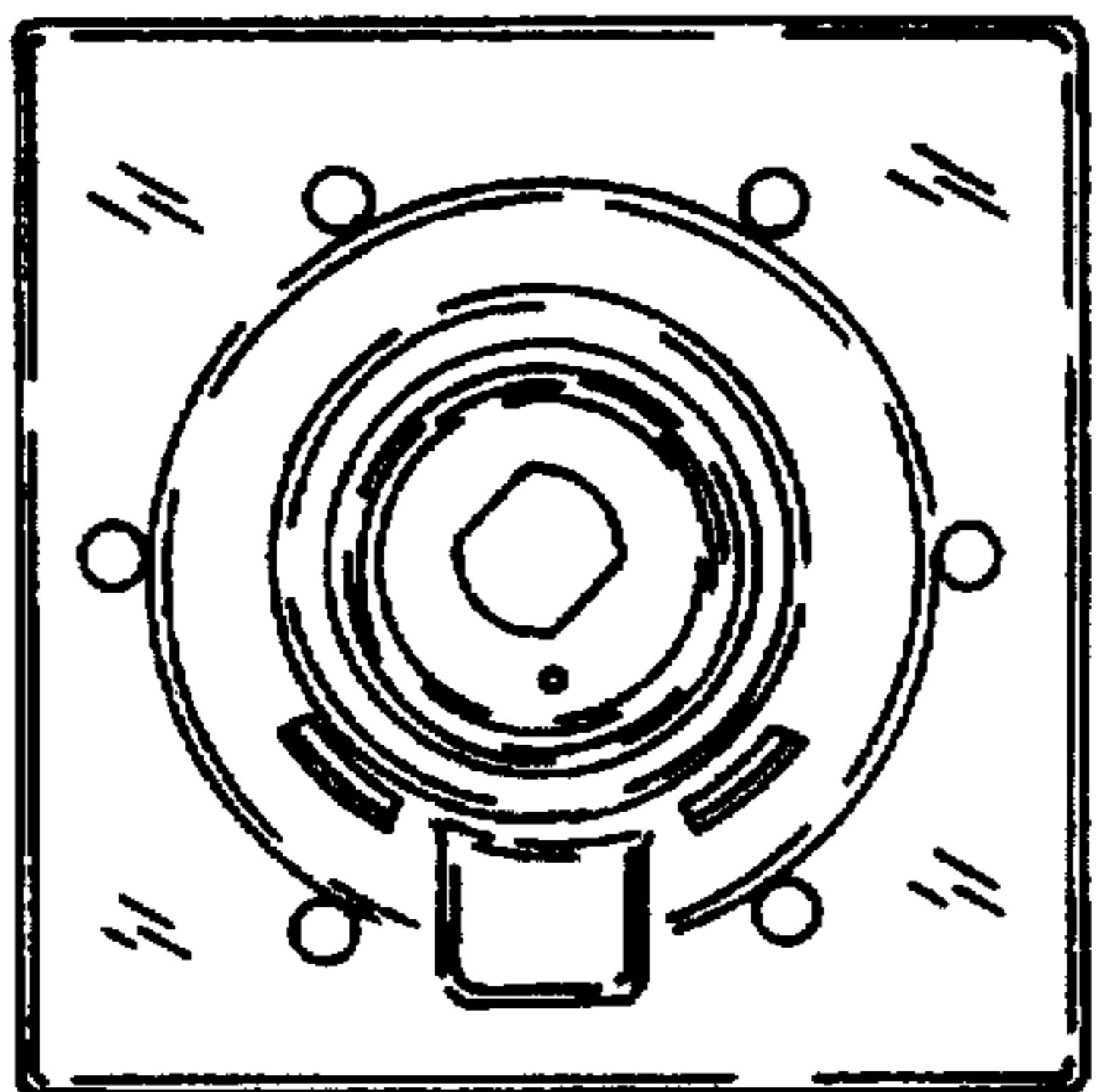


FIG. 8

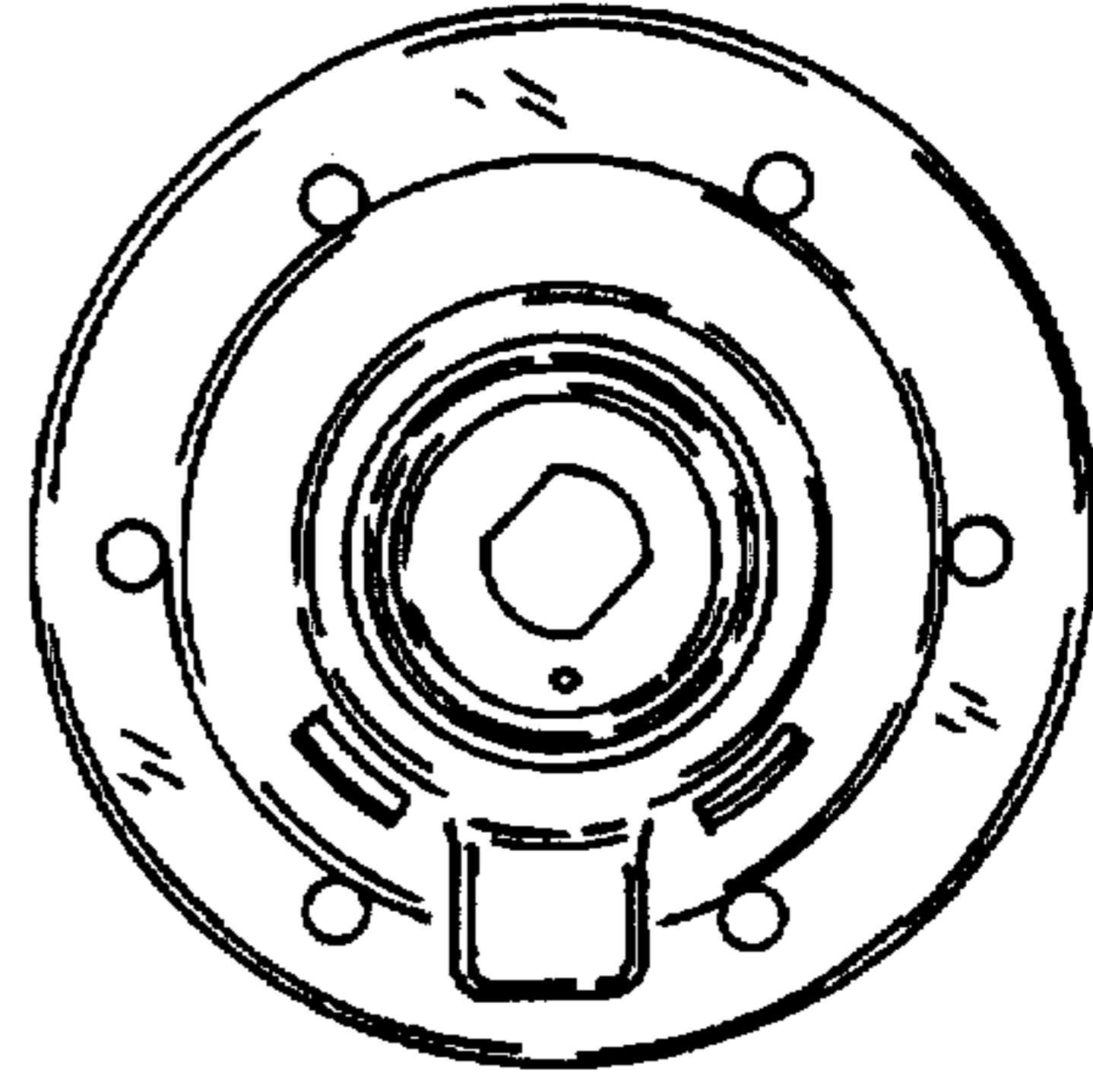


FIG. 13

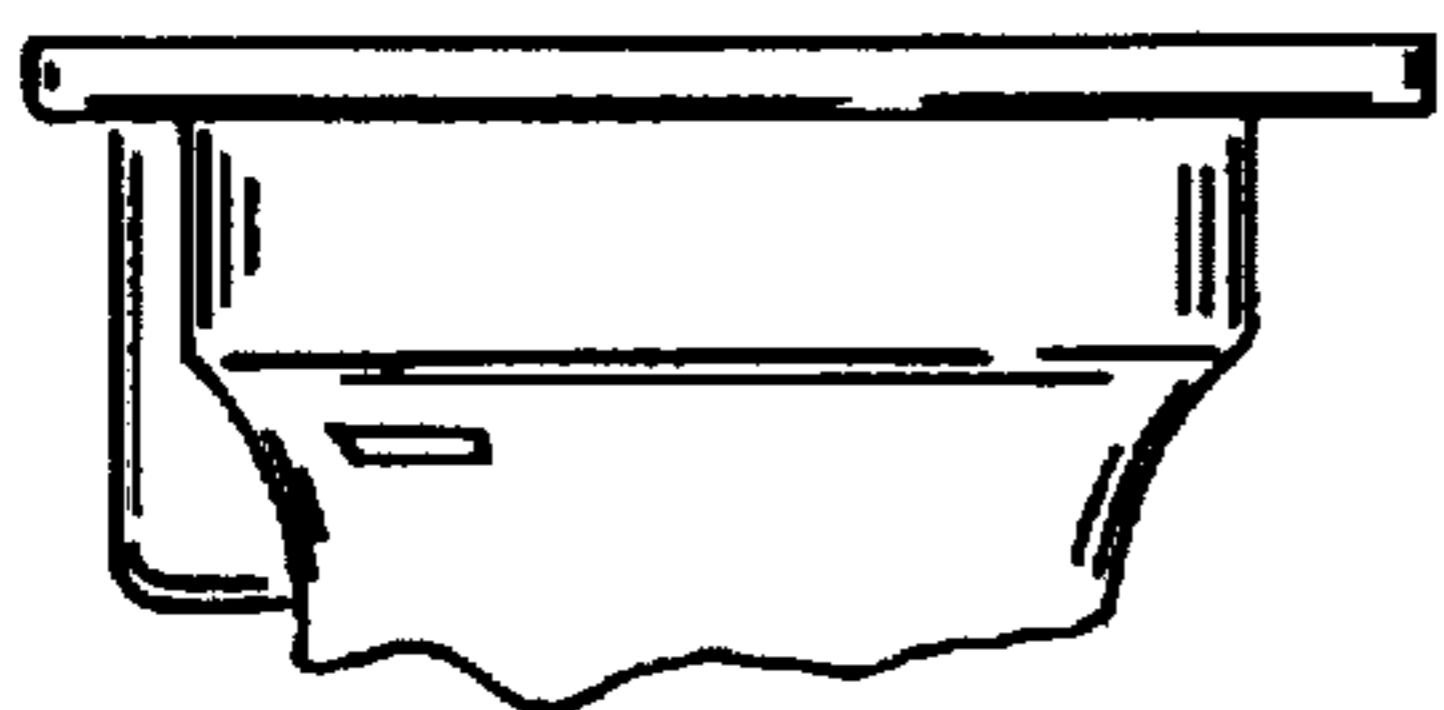


FIG. 9

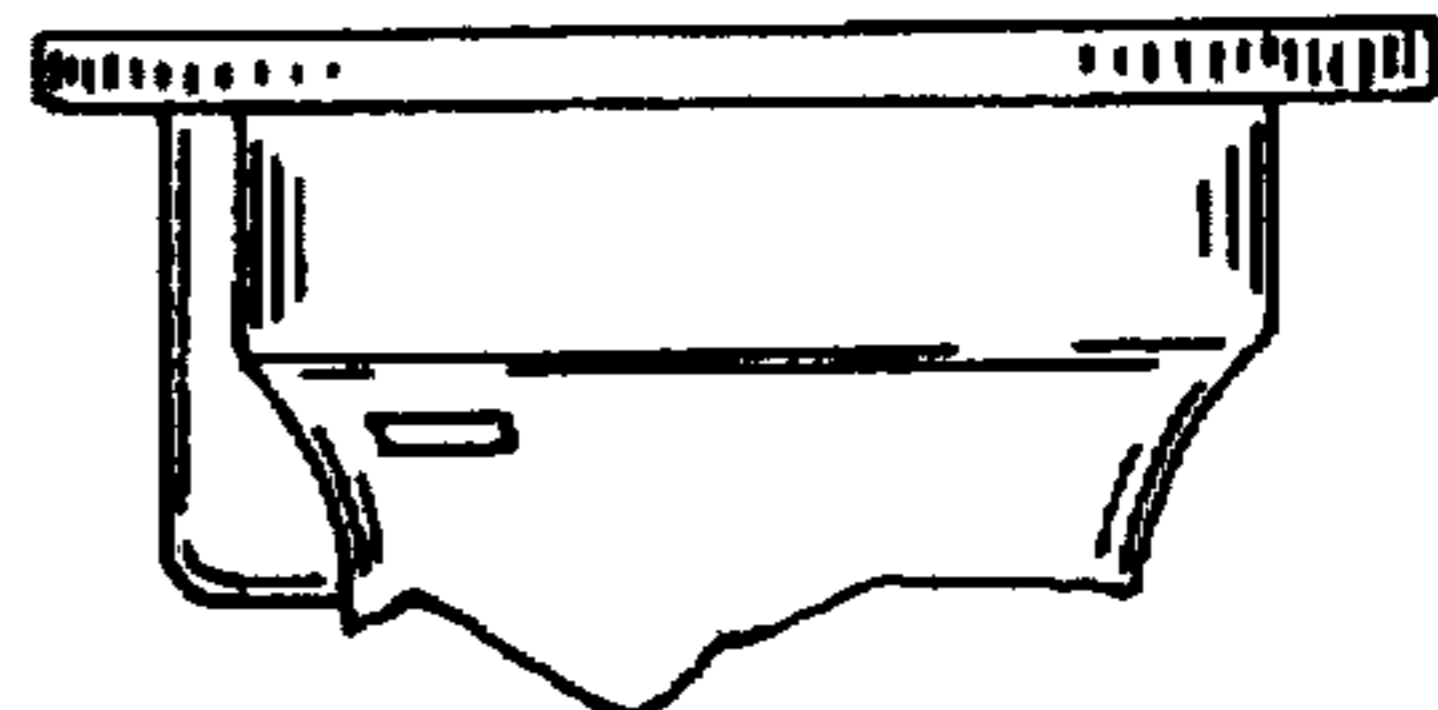


FIG. 14

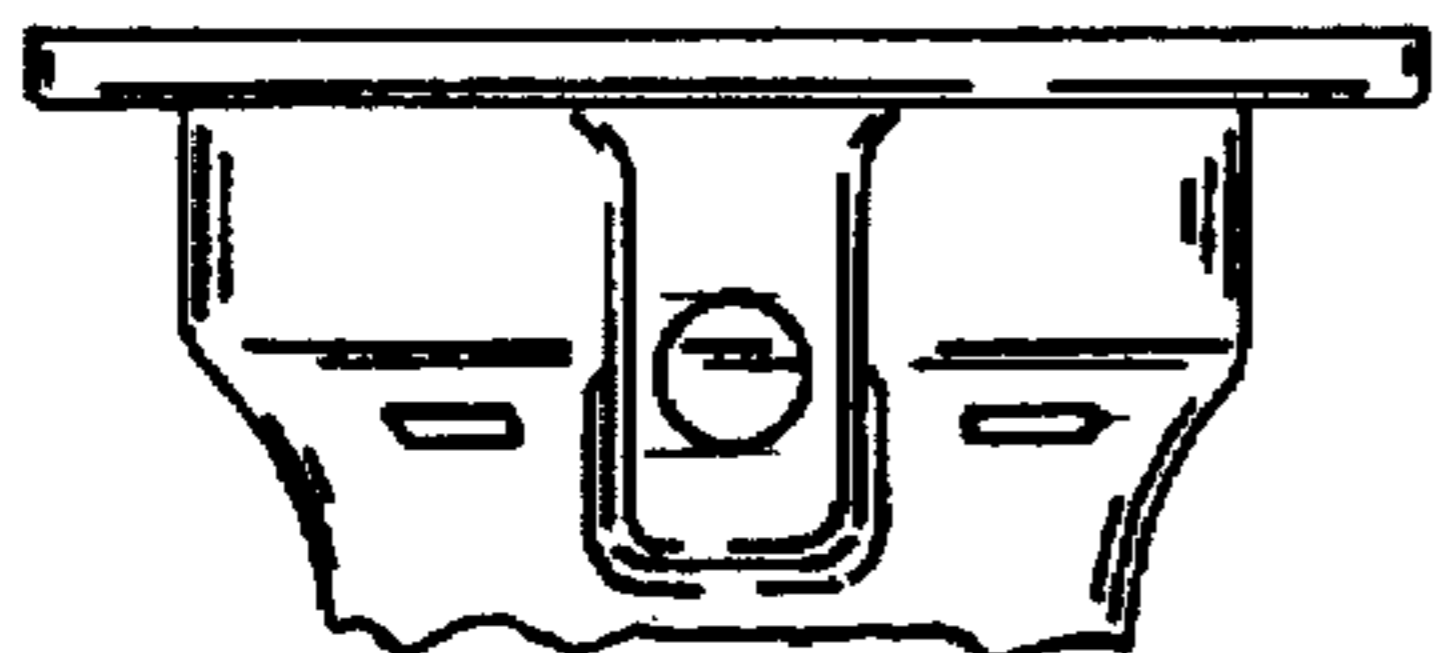


FIG. 10

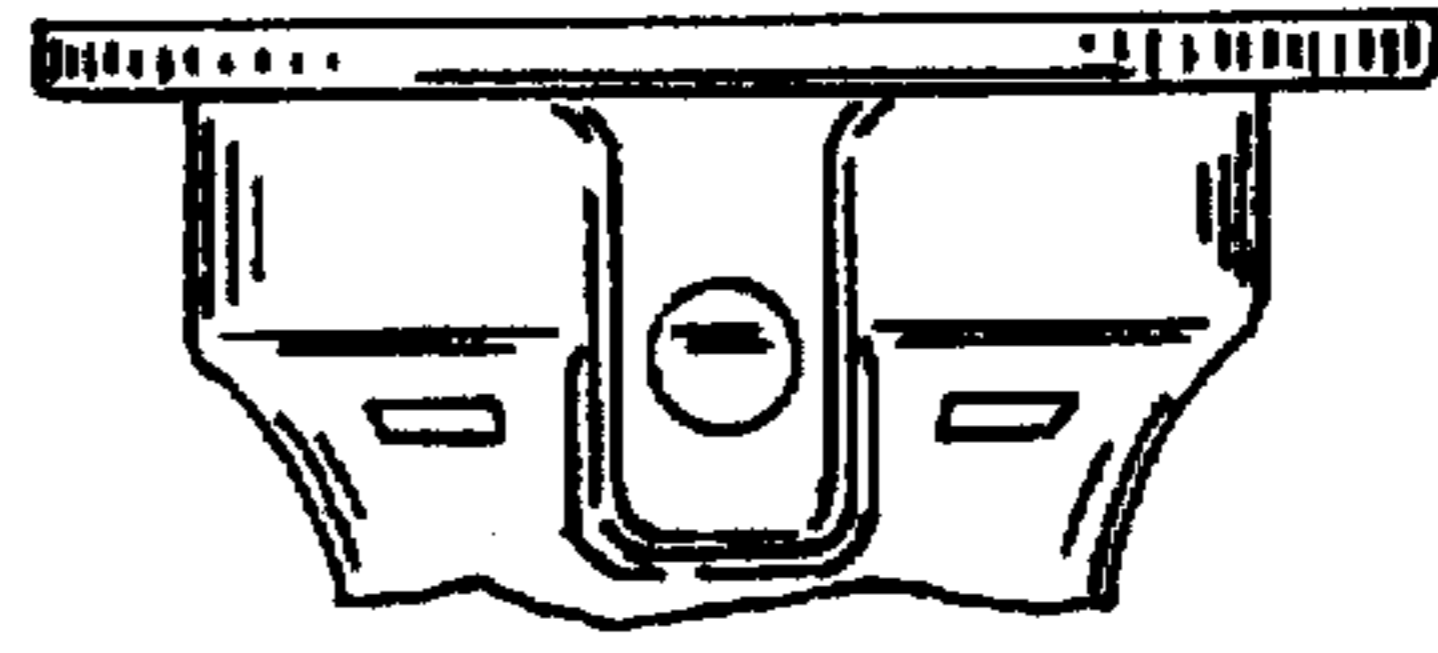


FIG. 15