



US00D385650S

United States Patent [19]
Okros

[11] **Patent Number: Des. 385,650**

[45] **Date of Patent: **Oct. 28, 1997**

[54] **YARD LIGHT LENS**

[76] **Inventor: Paul G. Okros, 16632 Timberview Ct., Clinton Township, Macomb County, Mich. 48036**

[**] **Term: 14 Years**

[21] **Appl. No.: 56,197**

[22] **Filed: Jun. 25, 1996**

[51] **LOC (6) Cl. 26-05**

[52] **U.S. Cl. D26/120; D26/128; D26/137**

[58] **Field of Search D26/72, 80-92, D26/67, 68, 69, 70, 71, 128-137, 118, 119, 120, 122; 362/147, 404-407, 153, 153.1, 432, 431**

[56] **References Cited**

U.S. PATENT DOCUMENTS

D. 168,237 11/1952 Pennow D26/120

D. 193,867 10/1962 Harling et al. D26/120
D. 226,327 2/1973 Anderson, Jr. D26/67
4,447,864 5/1984 Smith et al. 362/334 X

Primary Examiner—Susan J. Lucas

[57] **CLAIM**

The ornamental design for a yard light lens, as shown and described.

DESCRIPTION

FIG. 1 is a perspective view of the yard light lens showing my new design;

FIG. 2 is a front elevational view thereof;

FIG. 3 is a rear elevational view thereof;

FIG. 4 is a left side elevational view thereof, the right side elevational view being a mirror image of the view shown in this figure; and

FIG. 5 is a top plan view thereof, the bottom plan view being a mirror image of the view shown in this figure.

1 Claim, 2 Drawing Sheets

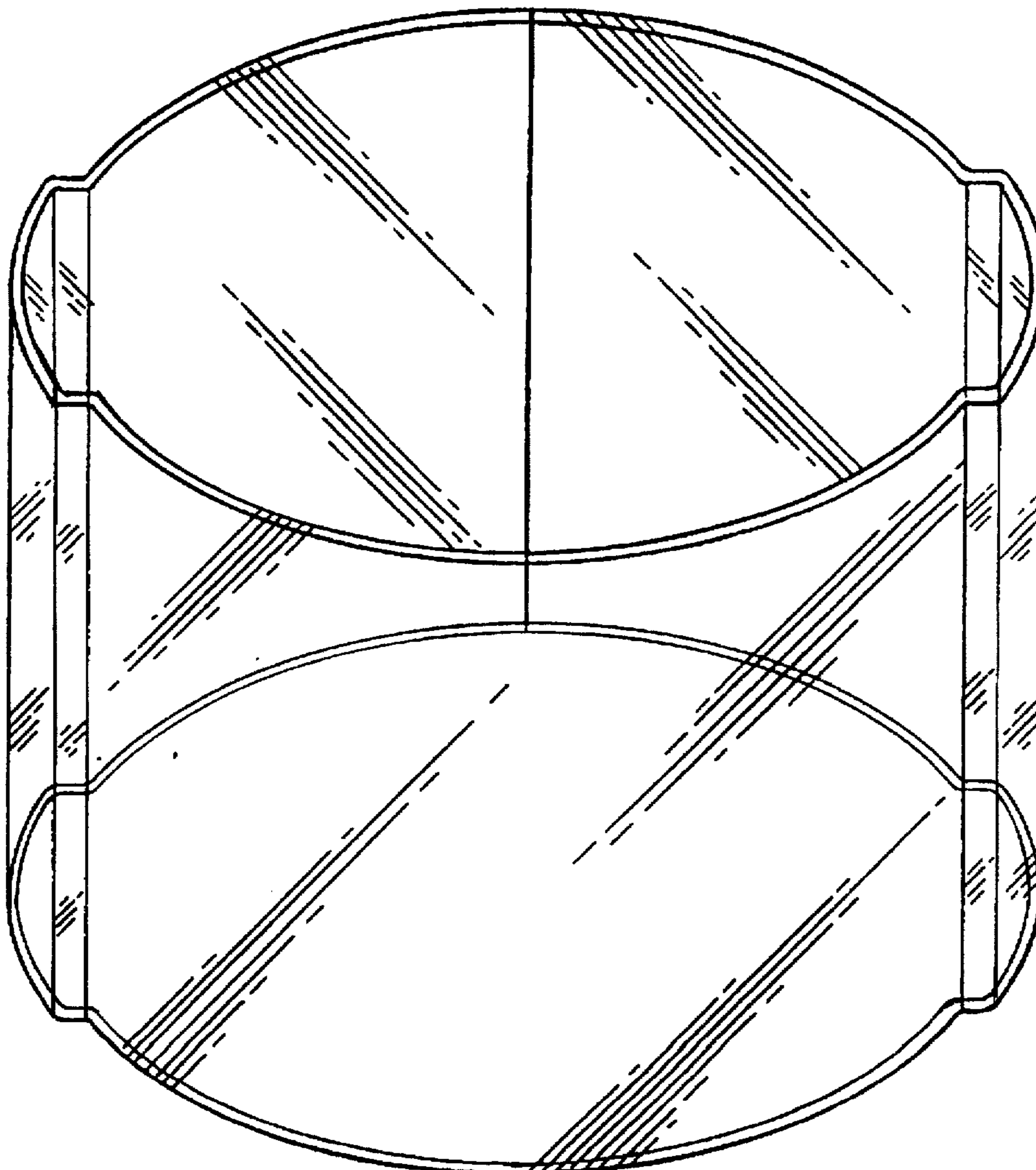


FIG. 1

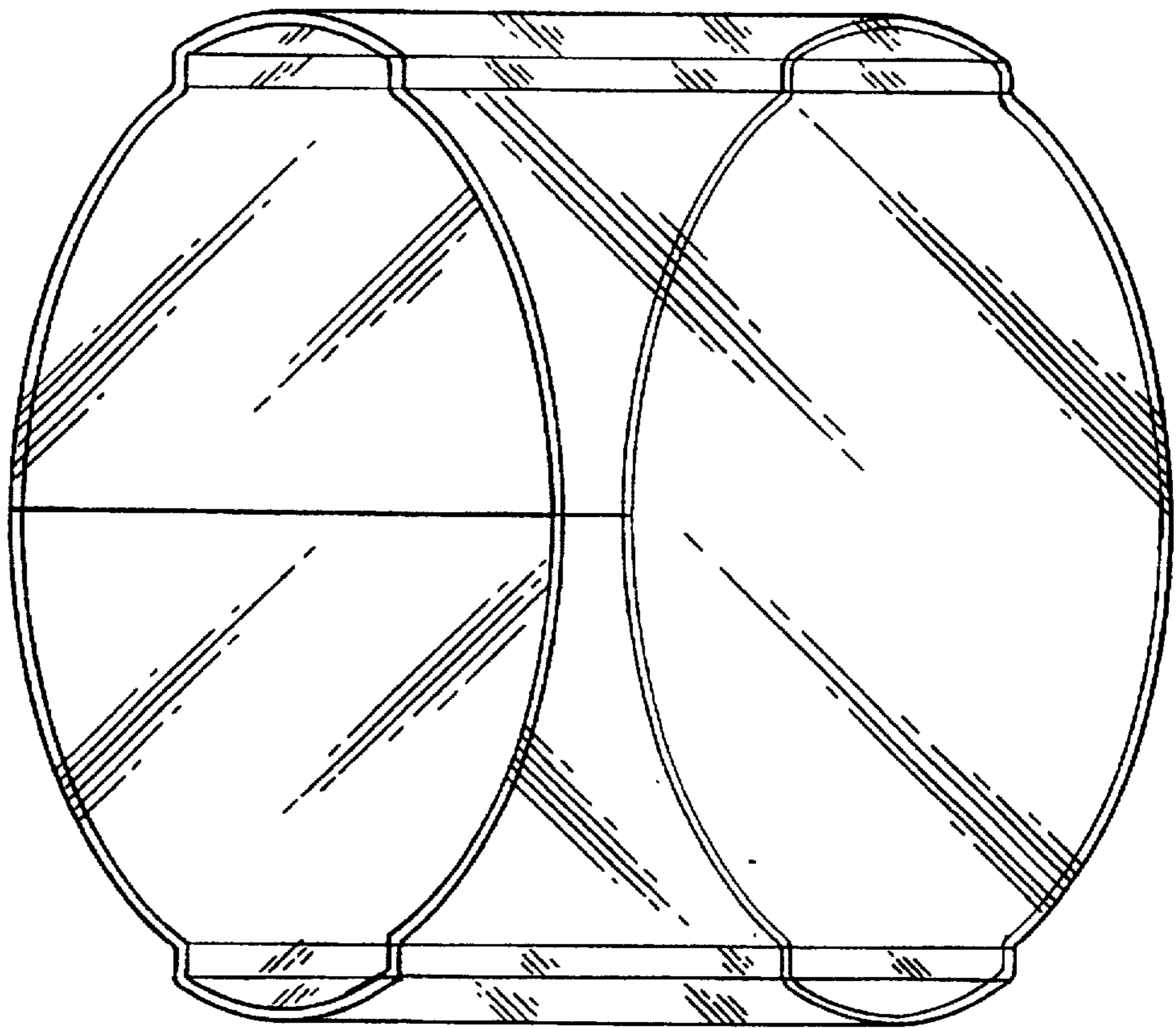


FIG. 4

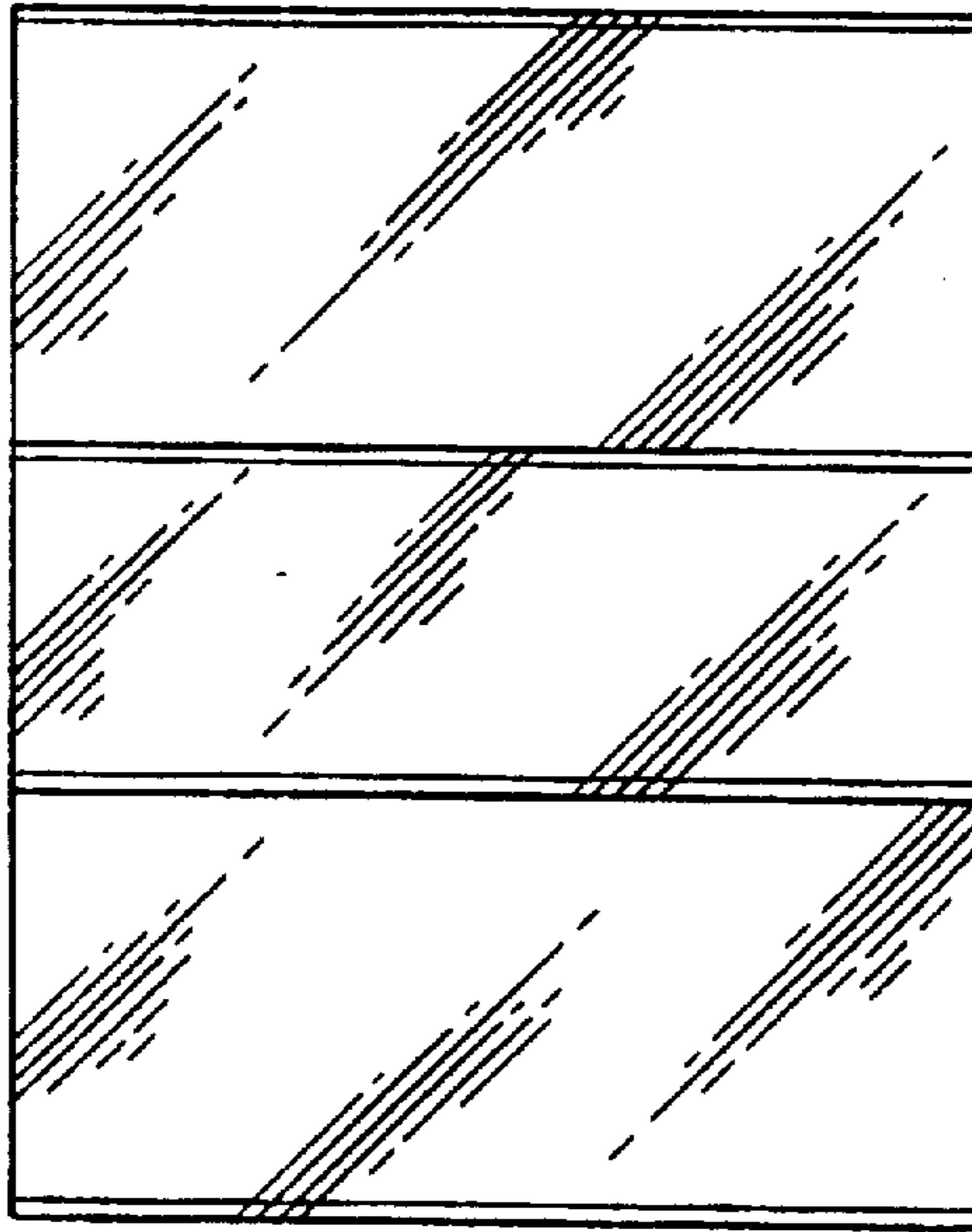


FIG. 3

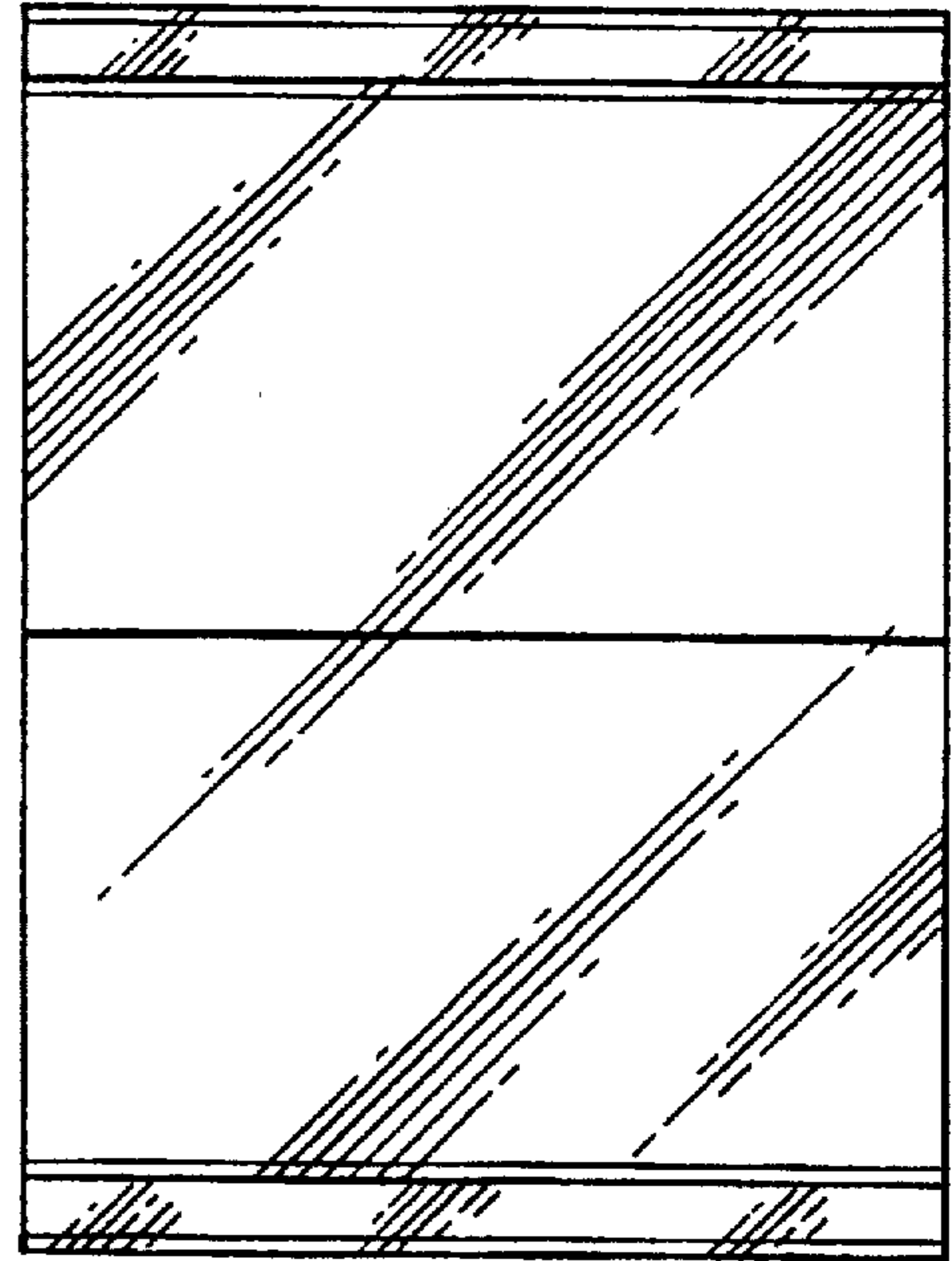


FIG. 5

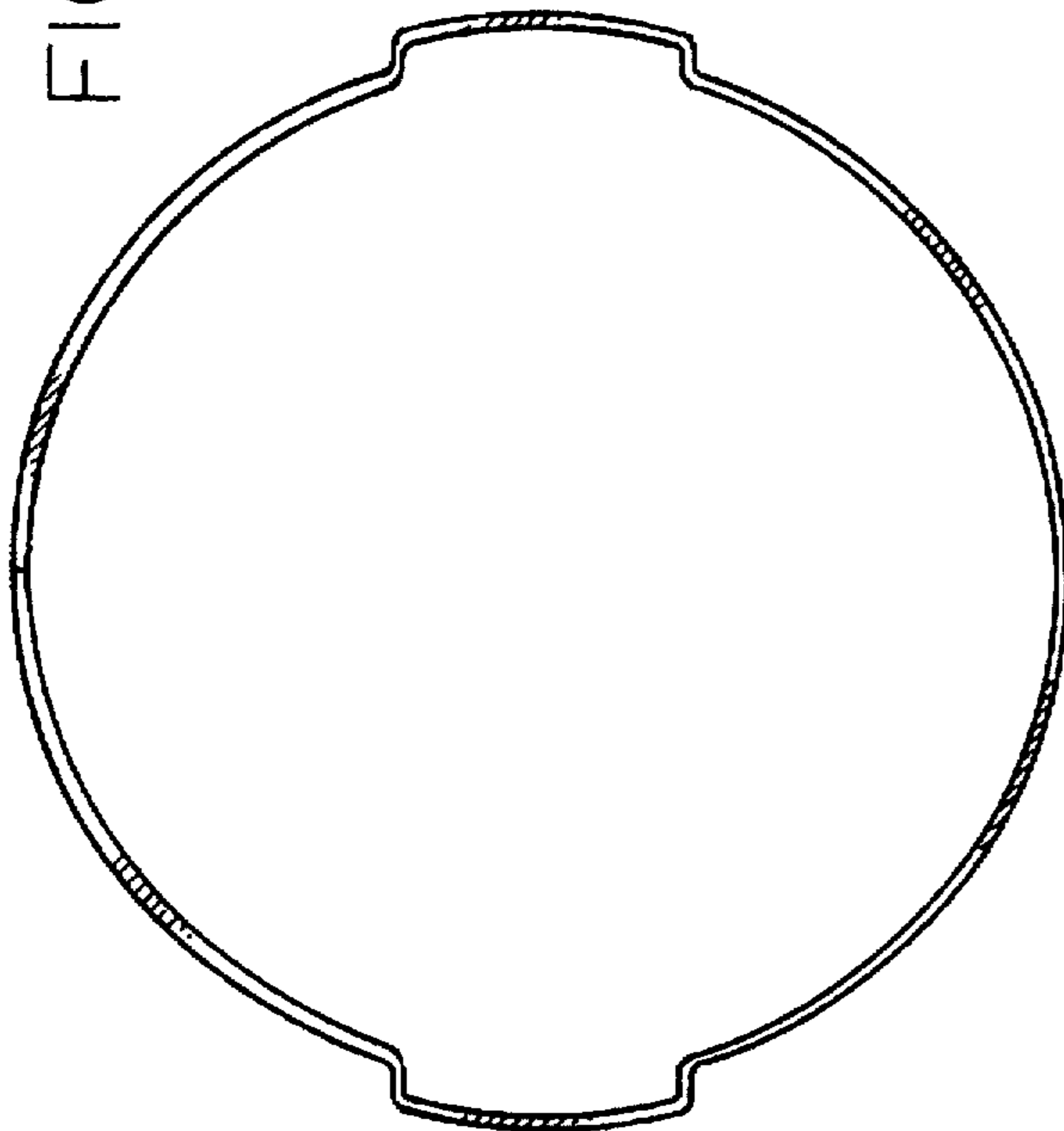


FIG. 2

