



US00D385649S

United States Patent [19]
Yeh

[11] **Patent Number: Des. 385,649**

[45] **Date of Patent: **Oct. 28, 1997**

[54] **DESK LAMP**

[76] **Inventor: John Yeh, 660 S. Aberdeen, Anaheim Hills, Calif. 92807**

[**] **Term: 14 Years**

[21] **Appl. No.: 58,833**

[22] **Filed: Aug. 26, 1996**

[51] **LOC (6) Cl. 26-05**

[52] **U.S. Cl. D26/112; D26/110**

[58] **Field of Search D26/93, 102-112;
362/410-414**

[56] **References Cited**

U.S. PATENT DOCUMENTS

- D. 77,406 1/1929 Greene D26/93
- D. 340,309 10/1993 Porter D26/106
- D. 361,640 8/1995 Benghozi D26/106

OTHER PUBLICATIONS

Home Lighting and Accessories, p. 42, Engelite Lighting table lamp, front, left, Dec. 1993.

Primary Examiner—Susan J. Lucas

[57] **CLAIM**

The ornamental design for a desk lamp, as shown and described.

DESCRIPTION

FIG. 1 is a front-elevational view of a desk lamp, showing my new design thereof;
FIG. 2 is a rear-elevational view thereof;
FIG. 3 is a left side-elevational view thereof;
FIG. 4 is a right side-elevational view thereof;
FIG. 5 is a top plan view thereof; and,
FIG. 6 is a bottom plan view thereof.

1 Claim, 3 Drawing Sheets

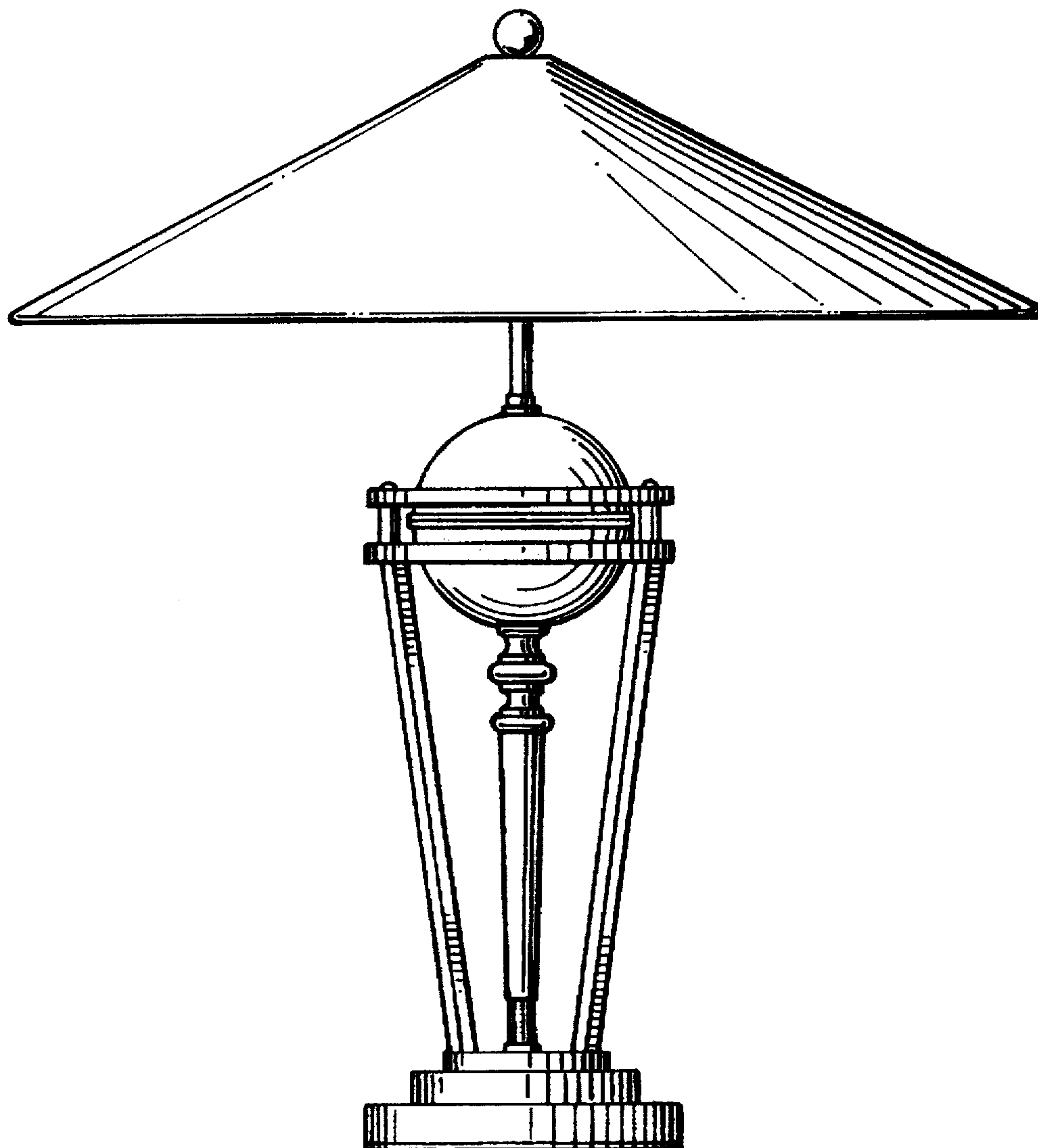


FIG. 2

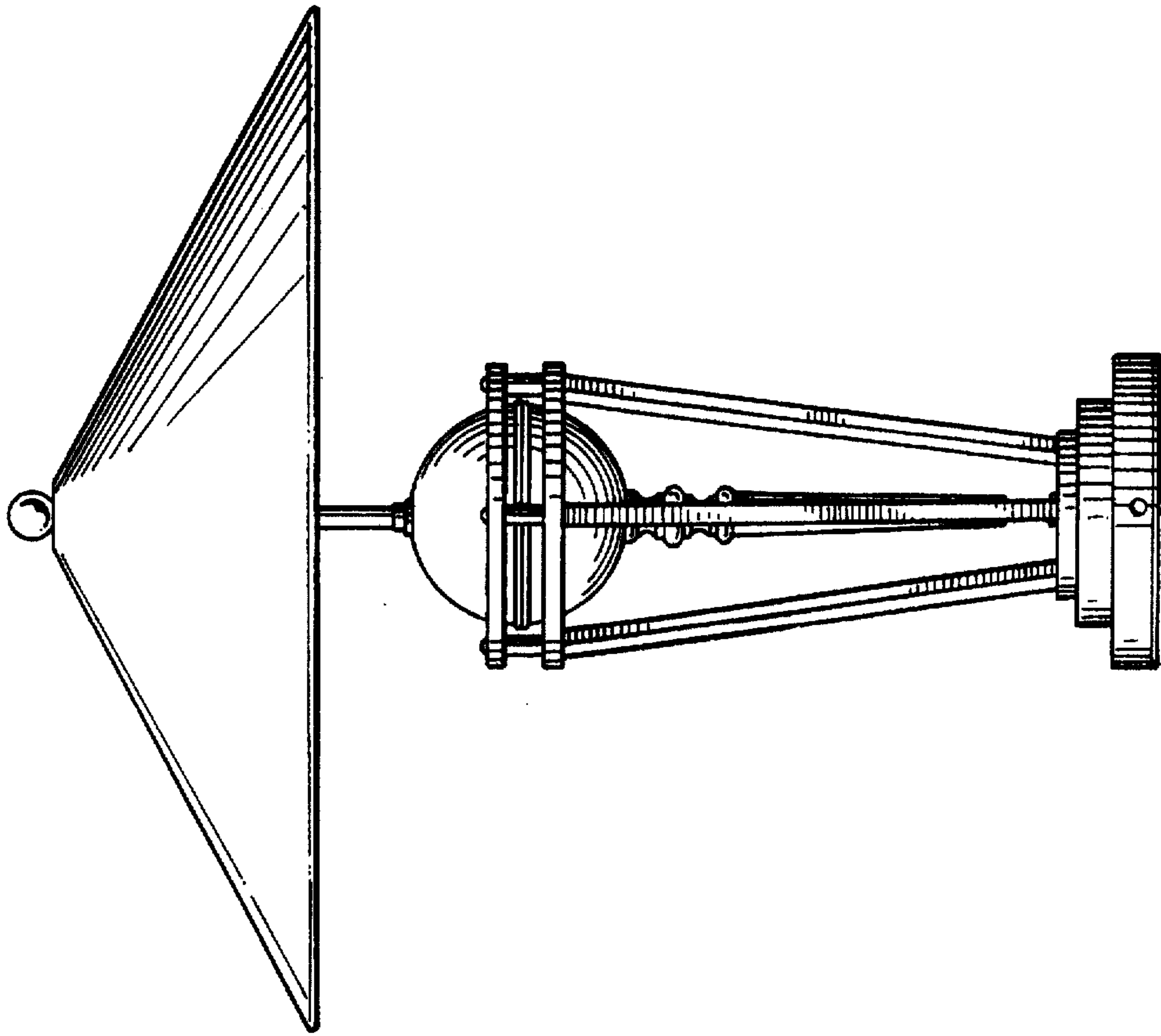


FIG. 1

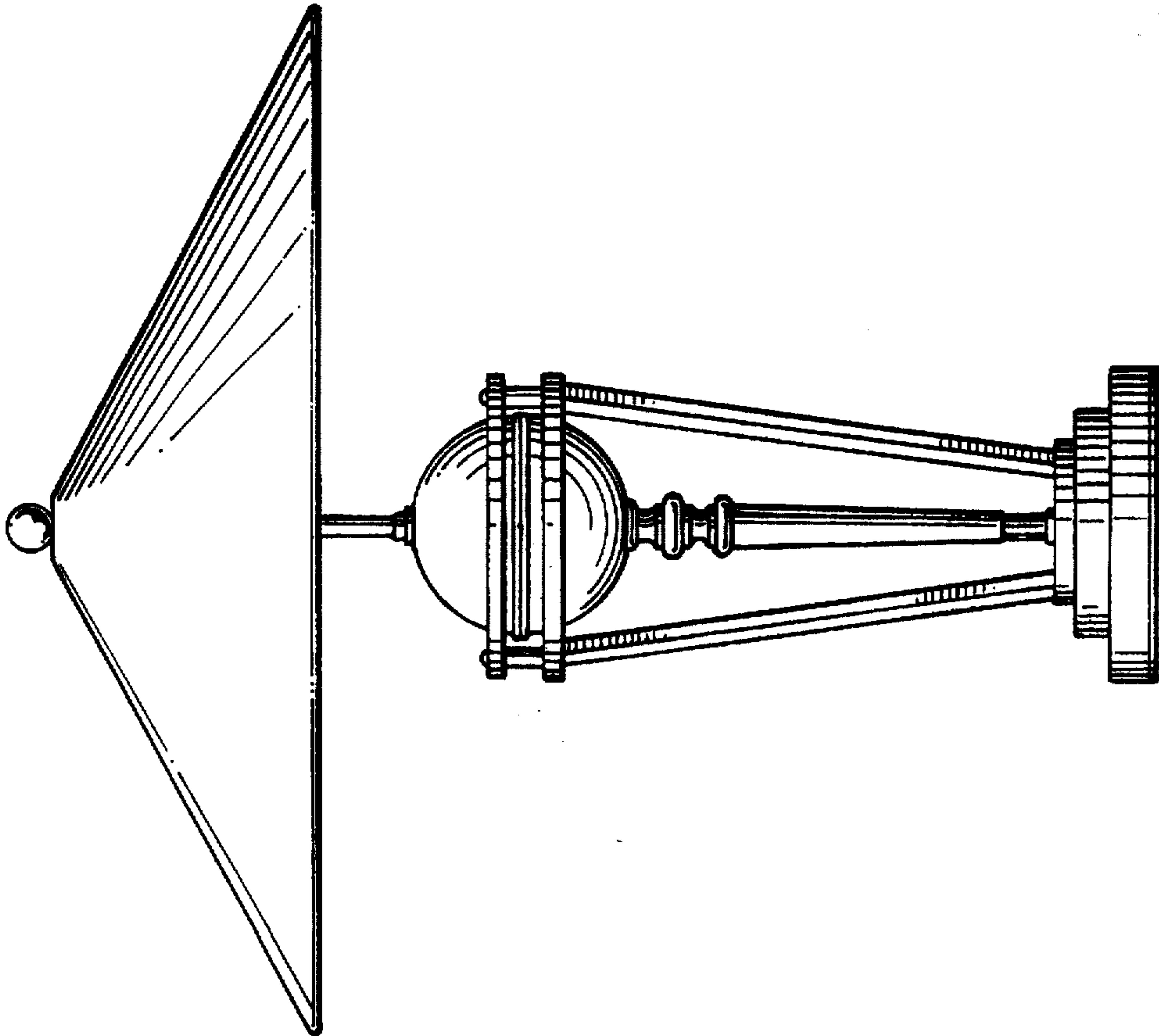


FIG. 4

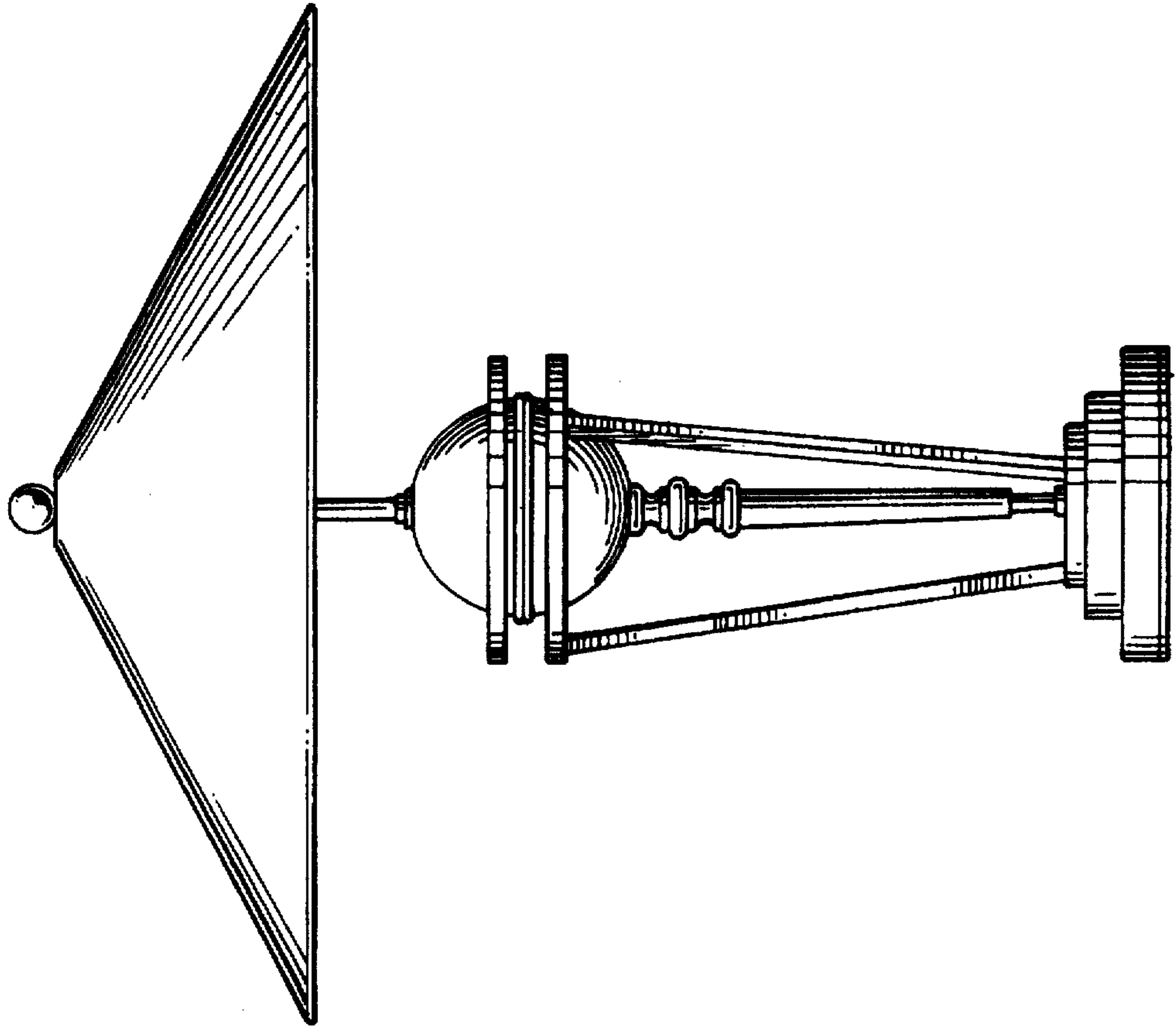


FIG. 3

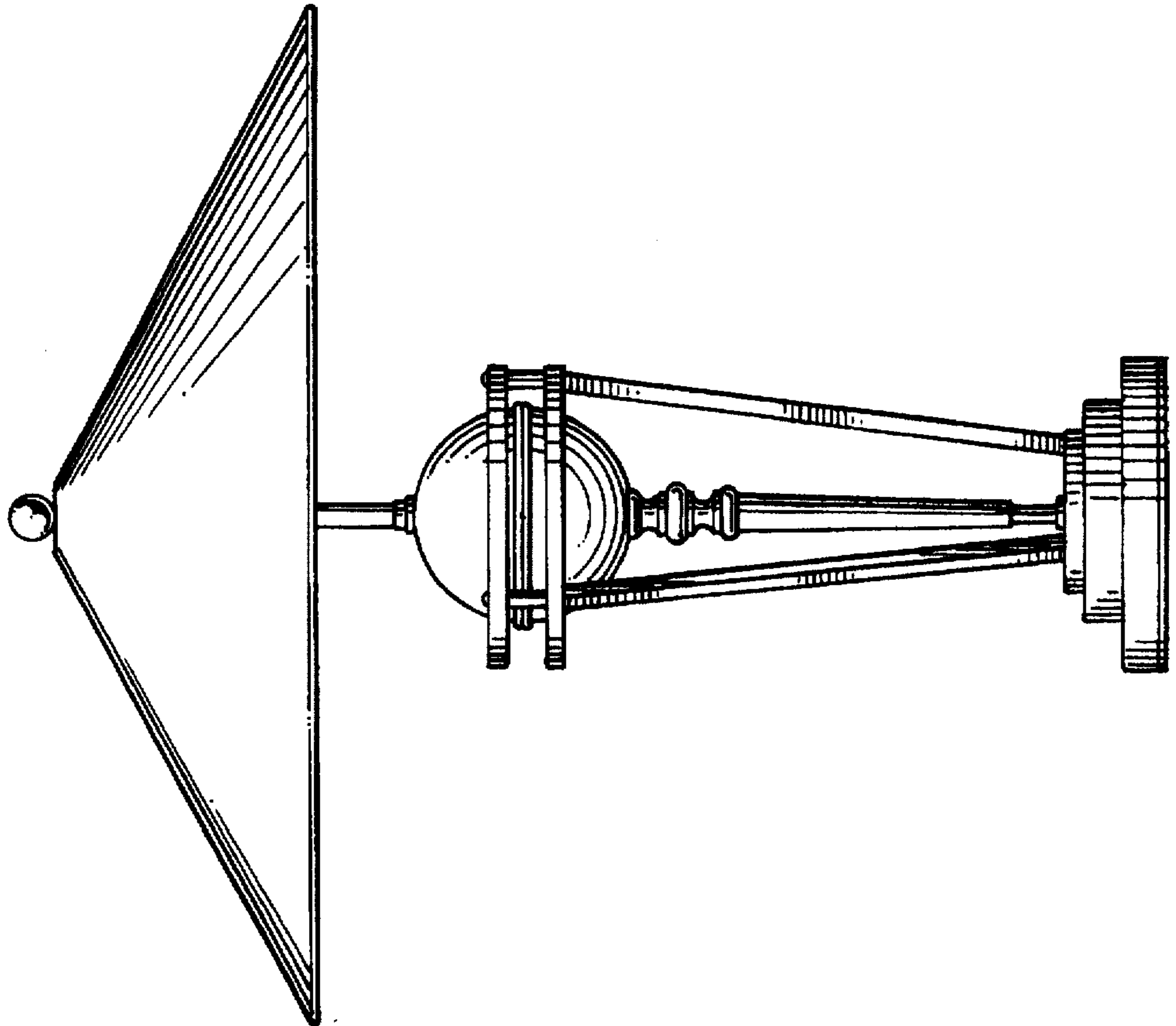


FIG. 6

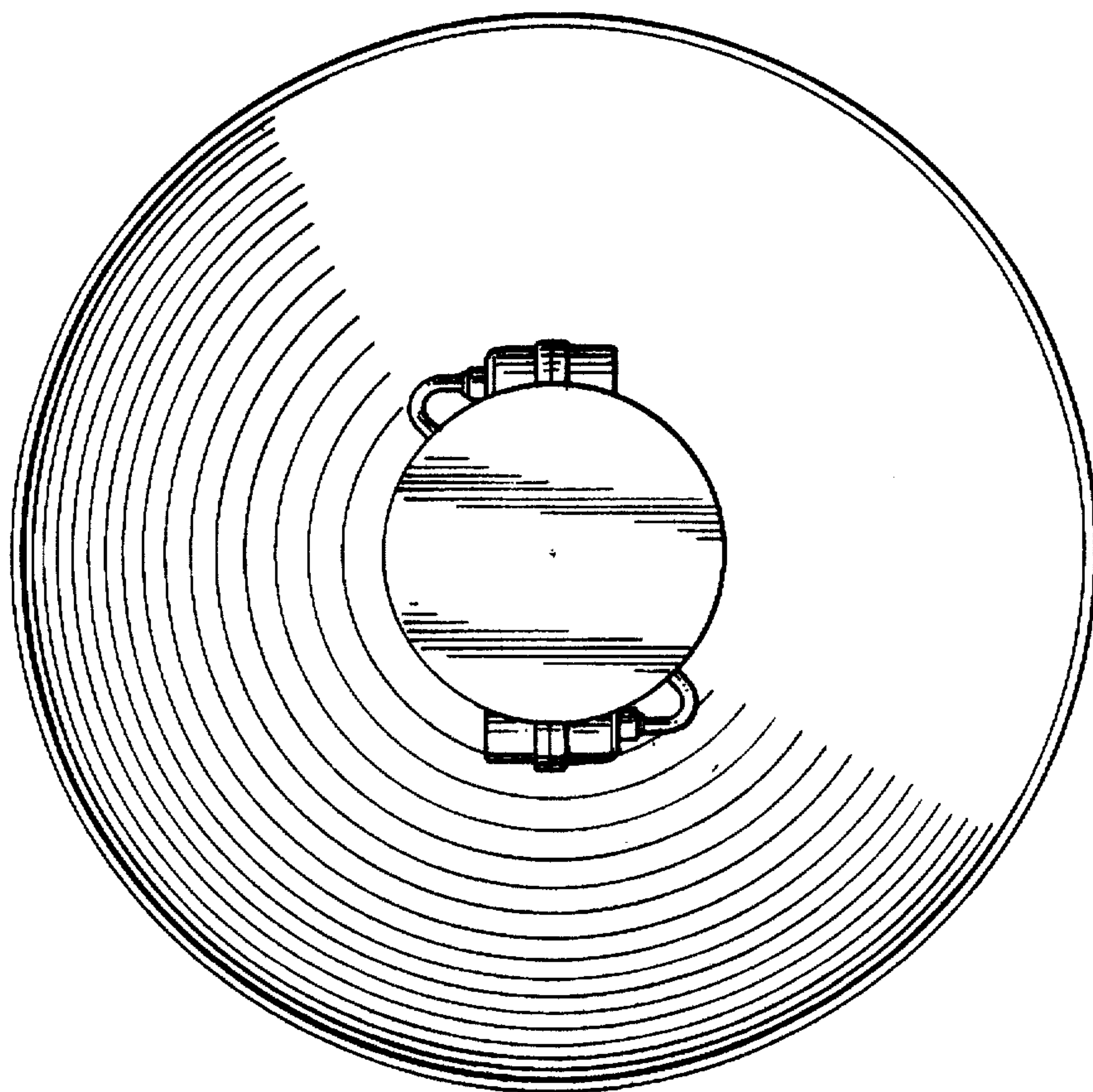


FIG. 5

