



US00D385647S

# United States Patent [19]

Swanson

[11] Patent Number: Des. 385,647

[45] Date of Patent: \*\*Oct. 28, 1997

## [54] TAPERED STEM LAMP

[75] Inventor: Dennis K. Swanson, Woodland Hills, Calif.

[73] Assignee: Lamps Plus, Inc., Chatsworth, Calif.

[\*\*] Term: 14 Years

[21] Appl. No.: 49,792

[22] Filed: Jan. 31, 1996

[51] LOC (6) Cl. .... 26-05

[52] U.S. Cl. .... D26/110

[58] Field of Search ..... D26/93, 102-112; 362/410-414

## [56] References Cited

### PUBLICATIONS

Home Lighting & Accessories, Jun. 1994, p. 190, Cardinal Products Floor Lamp.

Primary Examiner—Susan J. Lucas

Attorney, Agent, or Firm—Robbins, Berliner & Carson, LLP

## [57] CLAIM

The ornamental design of a tapered stem lamp, as shown and described.

## DESCRIPTION

FIG. 1 is a perspective view of a floor lamp embodiment of a tapered stem lamp in accordance with the present invention; FIG. 2 is a left side elevational view thereof; FIG. 3 is a rear elevational view thereof; FIG. 4 is a top plan view thereof; FIG. 5 is a bottom view thereof; FIG. 6 is a perspective view of a table lamp embodiment thereof; FIG. 7 is a left side elevational view of the table lamp embodiment thereof; FIG. 8 is a rear elevational view of the table lamp embodiment thereof; FIG. 9 is a top plan view of the table lamp embodiment thereof; and, FIG. 10 is a bottom view of the table lamp embodiment thereof.

1 Claim, 4 Drawing Sheets

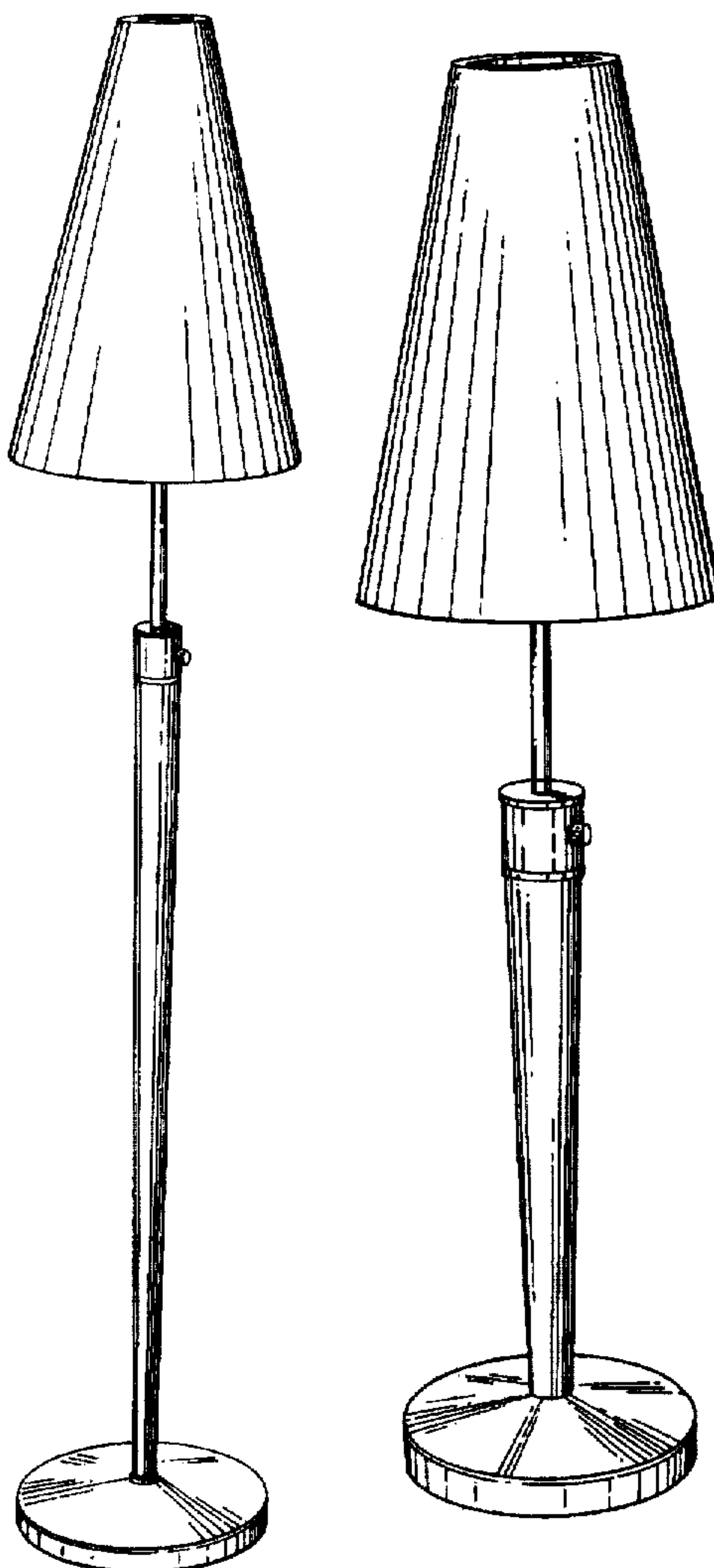


FIG. 1

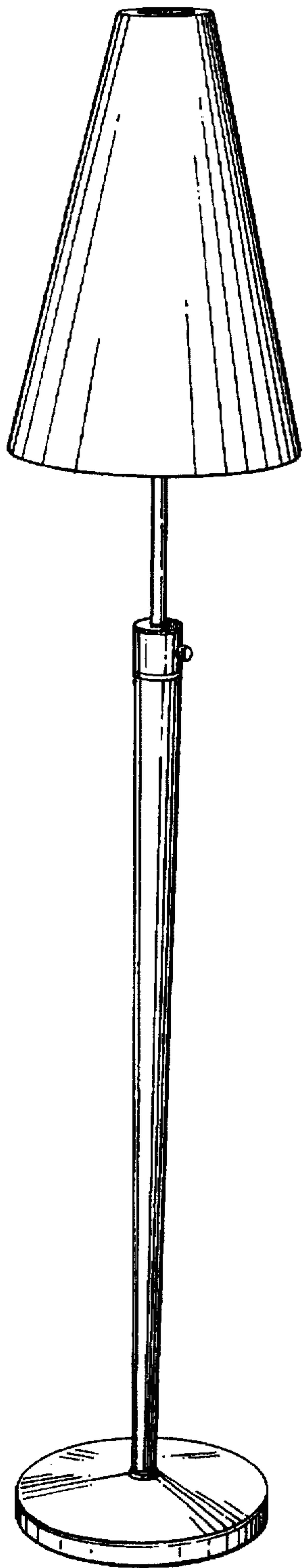
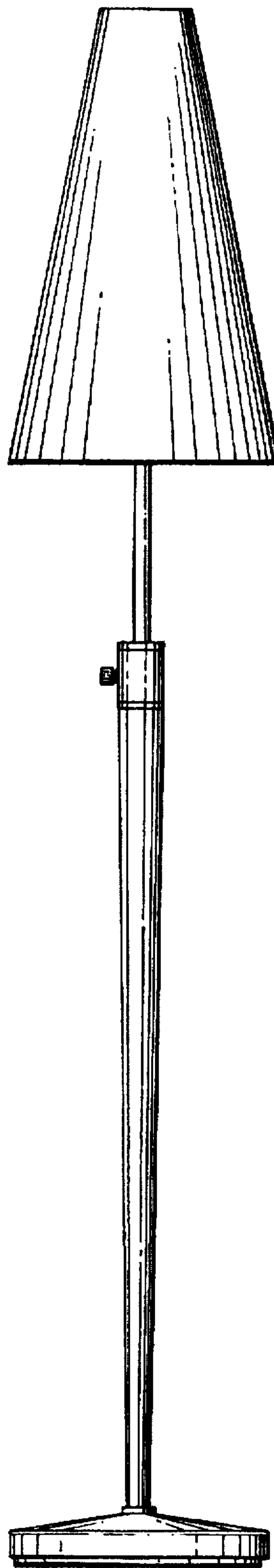


FIG. 2



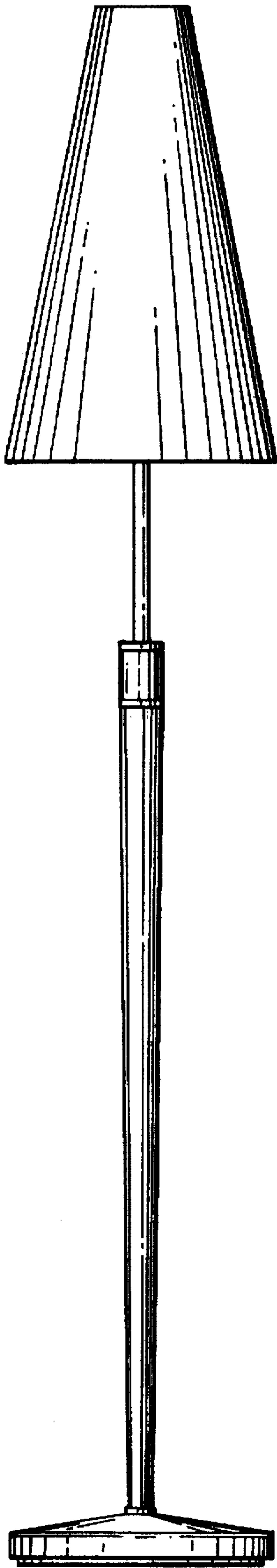


FIG. 3

FIG. 4

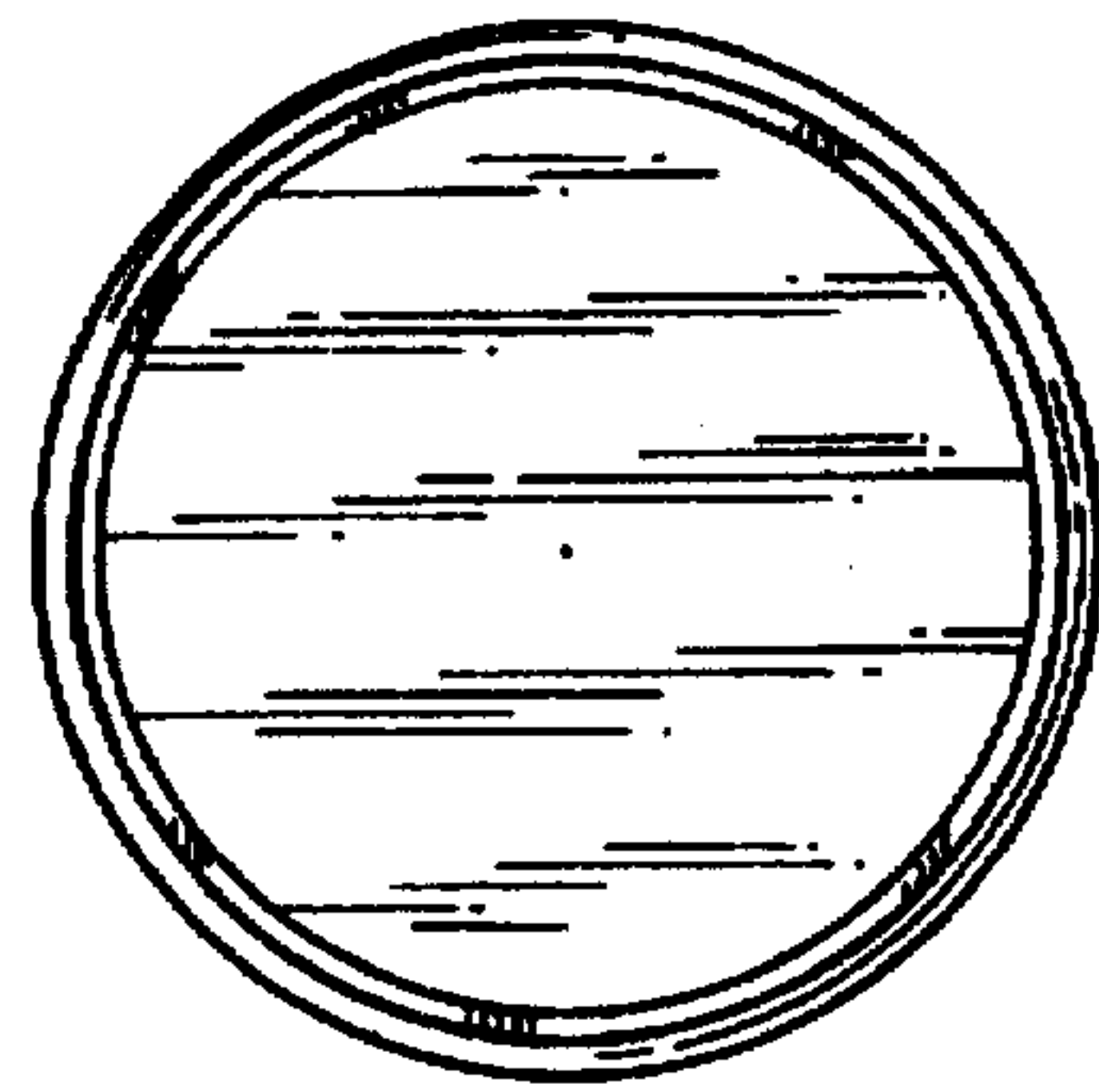
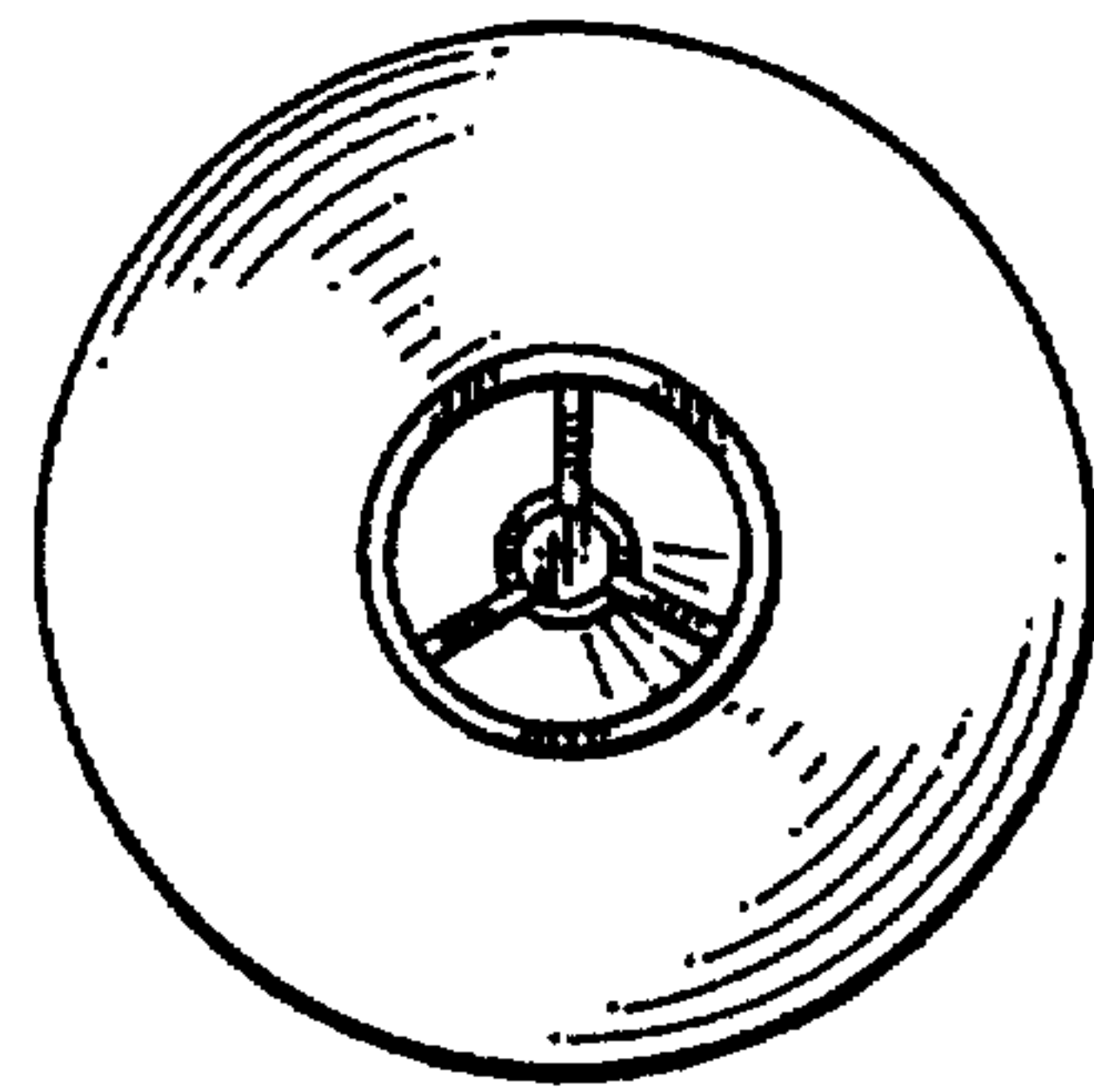


FIG. 5

FIG. 6

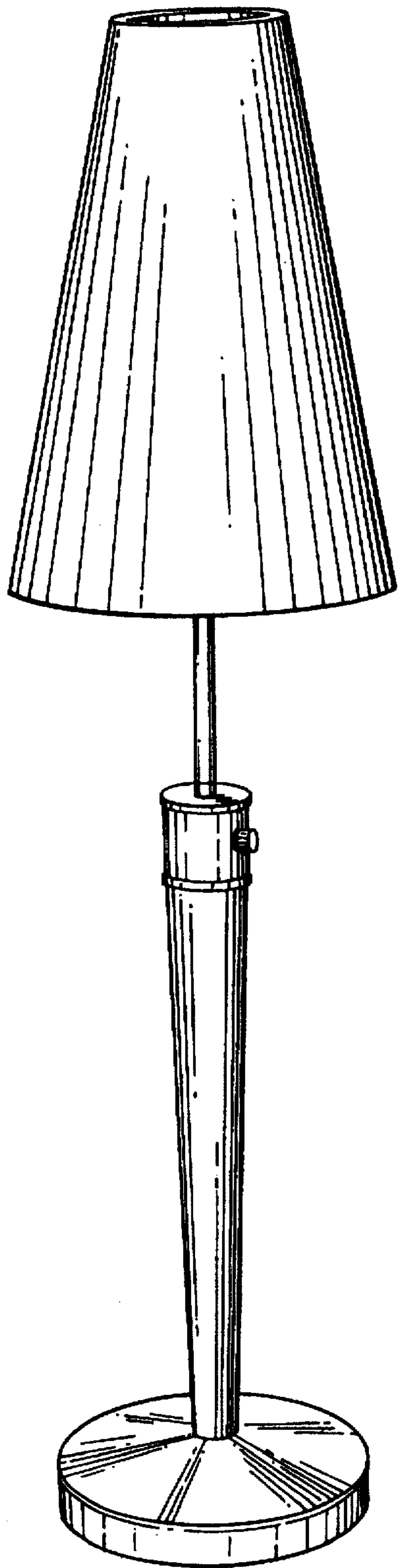


FIG. 7

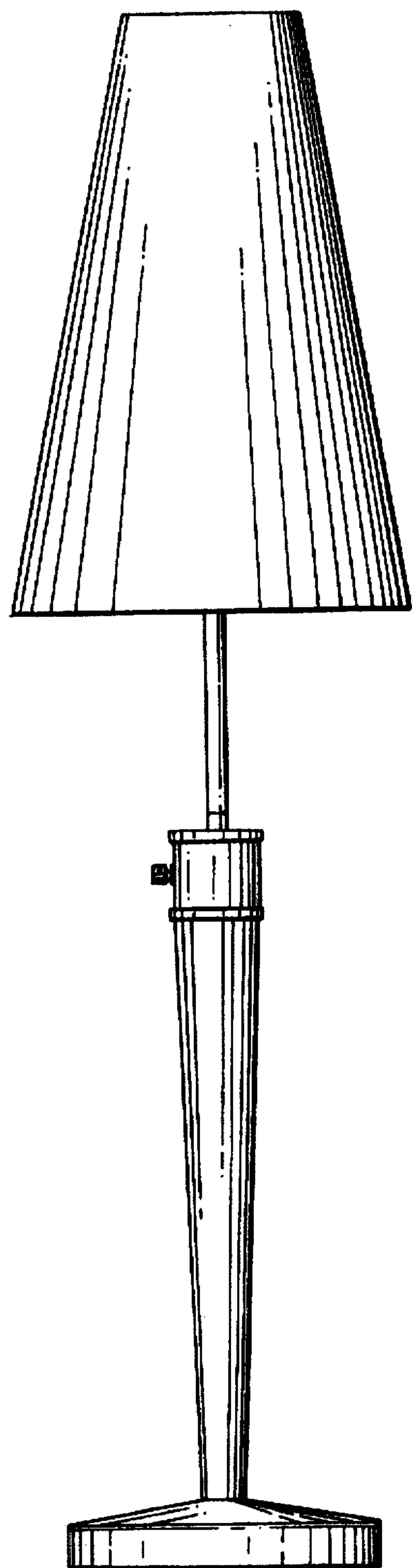


FIG. 8

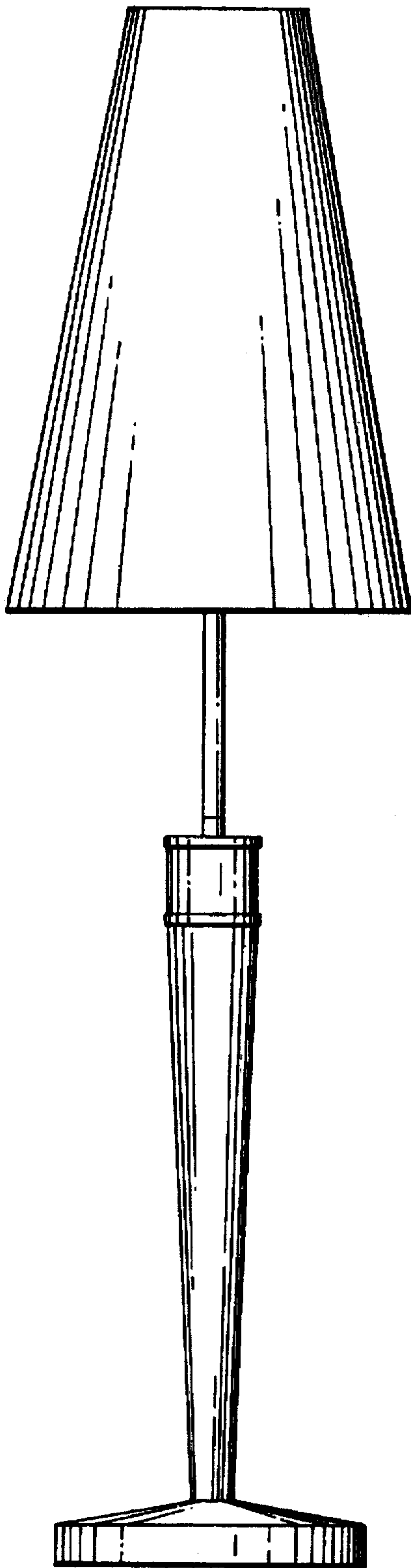


FIG. 9

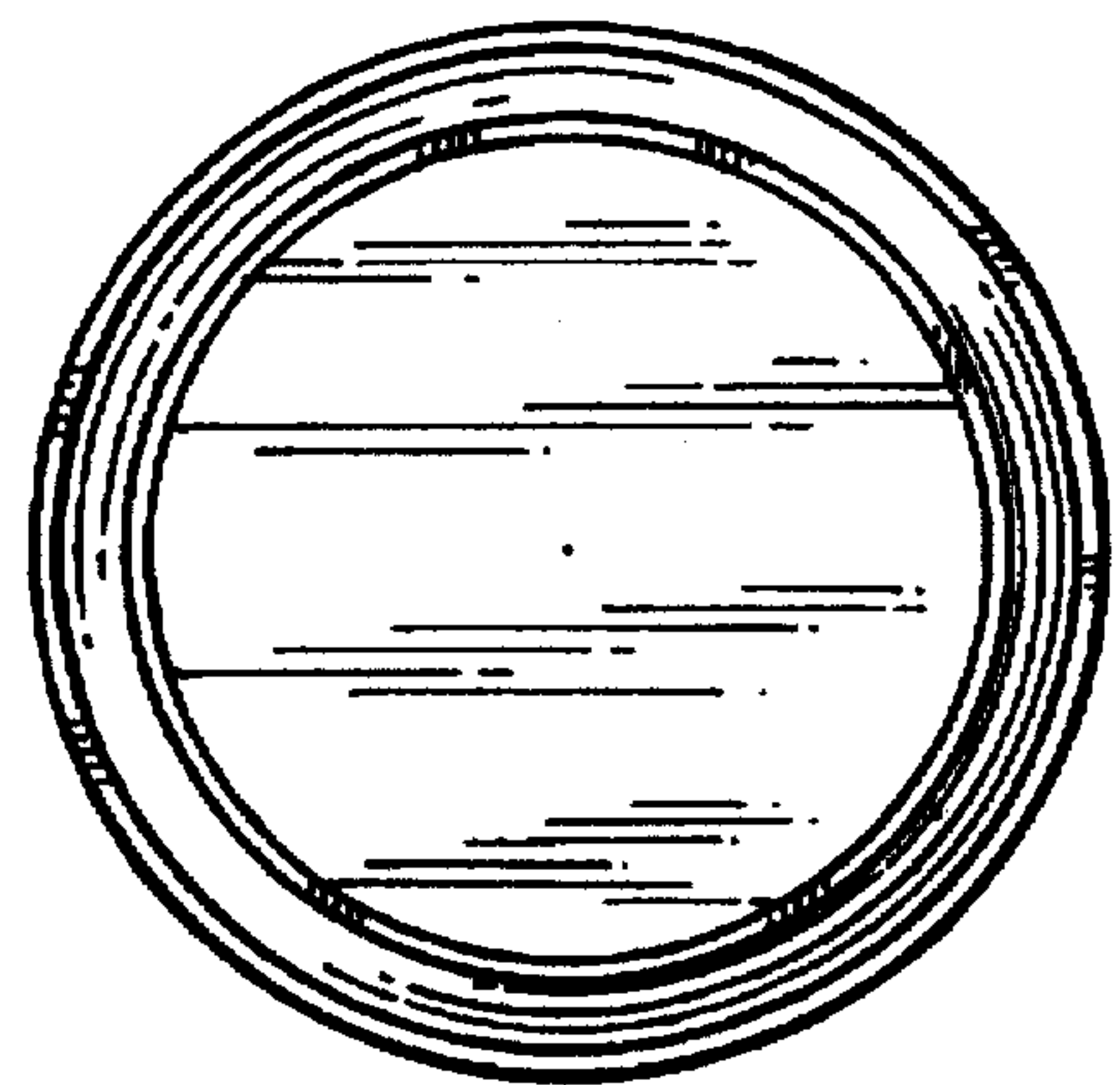
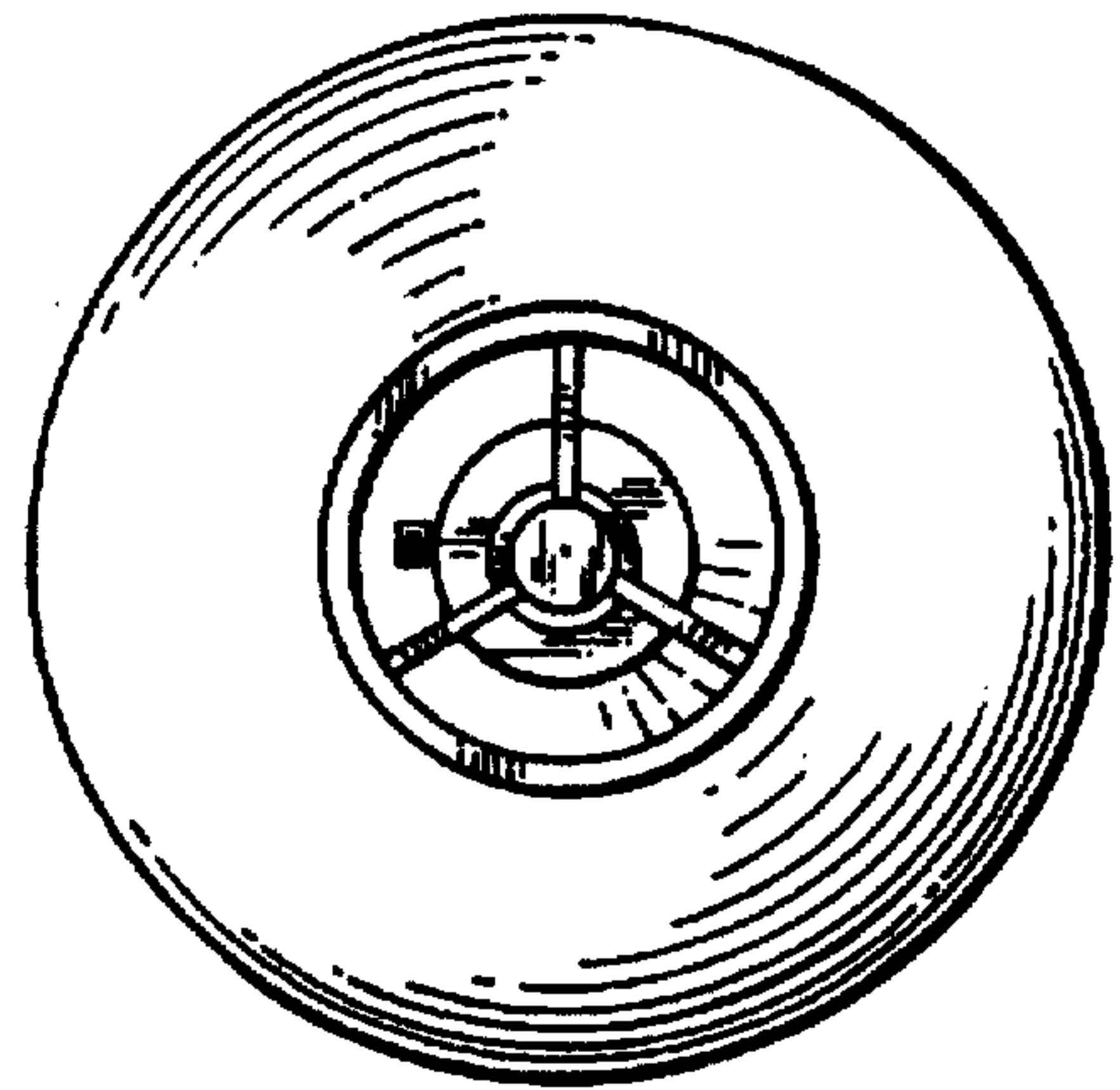


FIG. 10