



US00D385645S

**United States Patent** [19]  
**Chan**

[11] **Patent Number: Des. 385,645**

[45] **Date of Patent: \*\*Oct. 28, 1997**

[54] **LAMP**

[75] **Inventor: Alex Chan, Hong Kong, Hong Kong**

[73] **Assignee: Alpan, Inc., Camarillo, Calif.**

[\*\*] **Term: 14 Years**

[21] **Appl. No.: 42,529**

[22] **Filed: Aug. 11, 1995**

D. 342,336 12/1993 Blet ..... D26/61 X  
D. 357,547 4/1995 Layh ..... D26/63

**OTHER PUBLICATIONS**

Interiors, Feb. 1984, p. 130, Arobaleno Lamp.

*Primary Examiner*—Susan J. Lucas  
*Attorney, Agent, or Firm*—Leydig, Voit & Mayer

[57] **CLAIM**

The ornamental design for a lamp, as shown and described.

**Related U.S. Application Data**

[63] Continuation-in-part of Ser. No. 33,644, Jan. 17, 1995, abandoned.

[51] **LOC (6) Cl. .... 26-05**

[52] **U.S. Cl. .... D26/107; D26/63**

[58] **Field of Search .... D26/93, 102-112, D26/63, 65; 362/410-414, 269, 275, 287, 418, 419, 427, 401**

**DESCRIPTION**

FIG. 1 is a front and left side perspective view of the lamp of the present invention;

FIG. 2 is a rear and right side perspective view of the lamp of the present invention;

FIG. 3 is a right side view of the lamp of the present invention;

FIG. 4 is a bottom plan view of the lamp of the present invention;

FIG. 5 is a rear view of the lamp of the present invention;

FIG. 6 is a front view of the lamp of the present invention;

FIG. 7 is a top plan view of the lamp of the present invention; and,

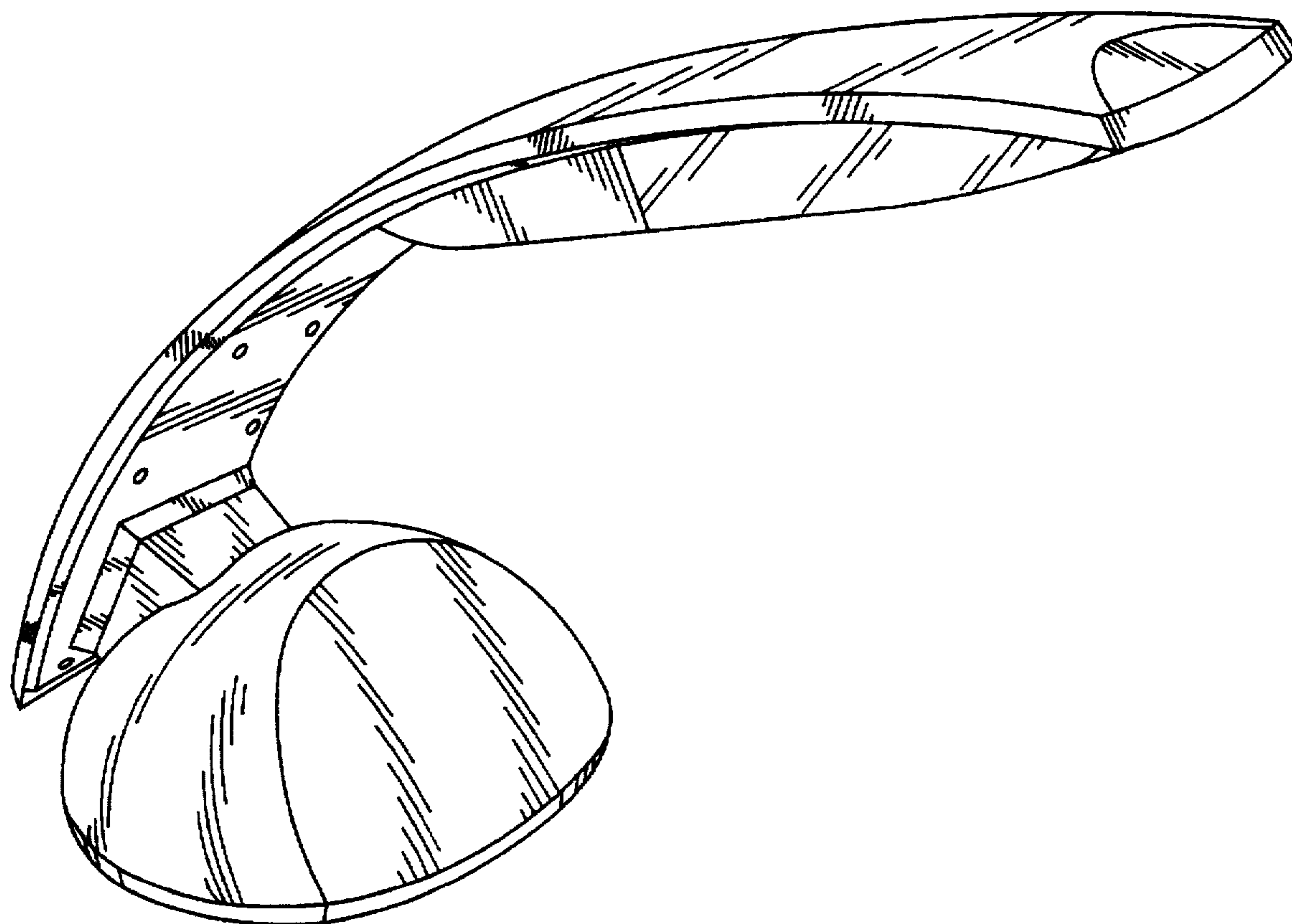
FIG. 8 is a left side view of the lamp of the present invention.

[56] **References Cited**

**U.S. PATENT DOCUMENTS**

D. 325,997 5/1992 Dieperink et al. .... D26/107  
D. 327,137 6/1992 Wu ..... D26/63 X  
D. 334,438 3/1993 Kua ..... D26/63

**1 Claim, 5 Drawing Sheets**



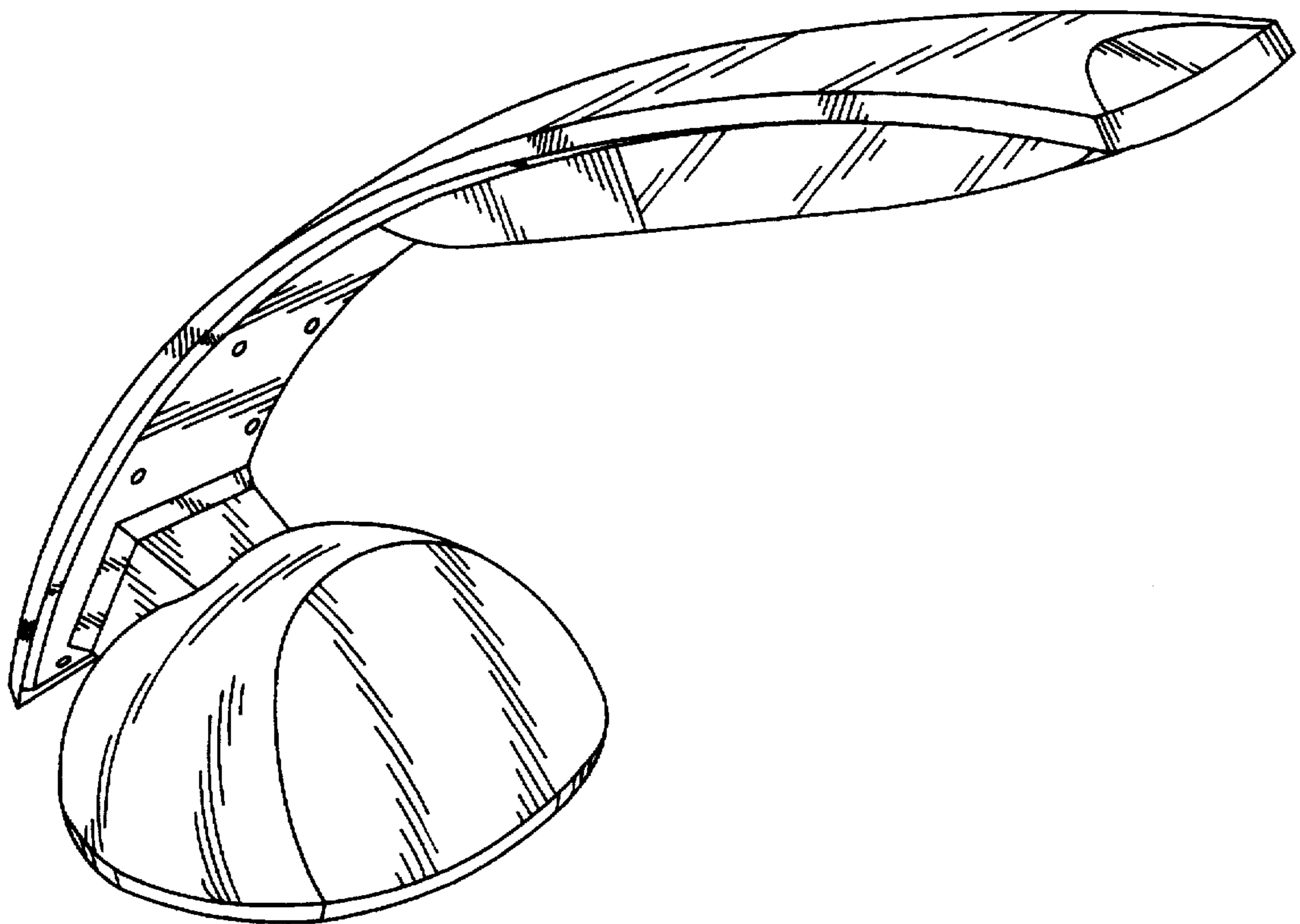


FIG. 1

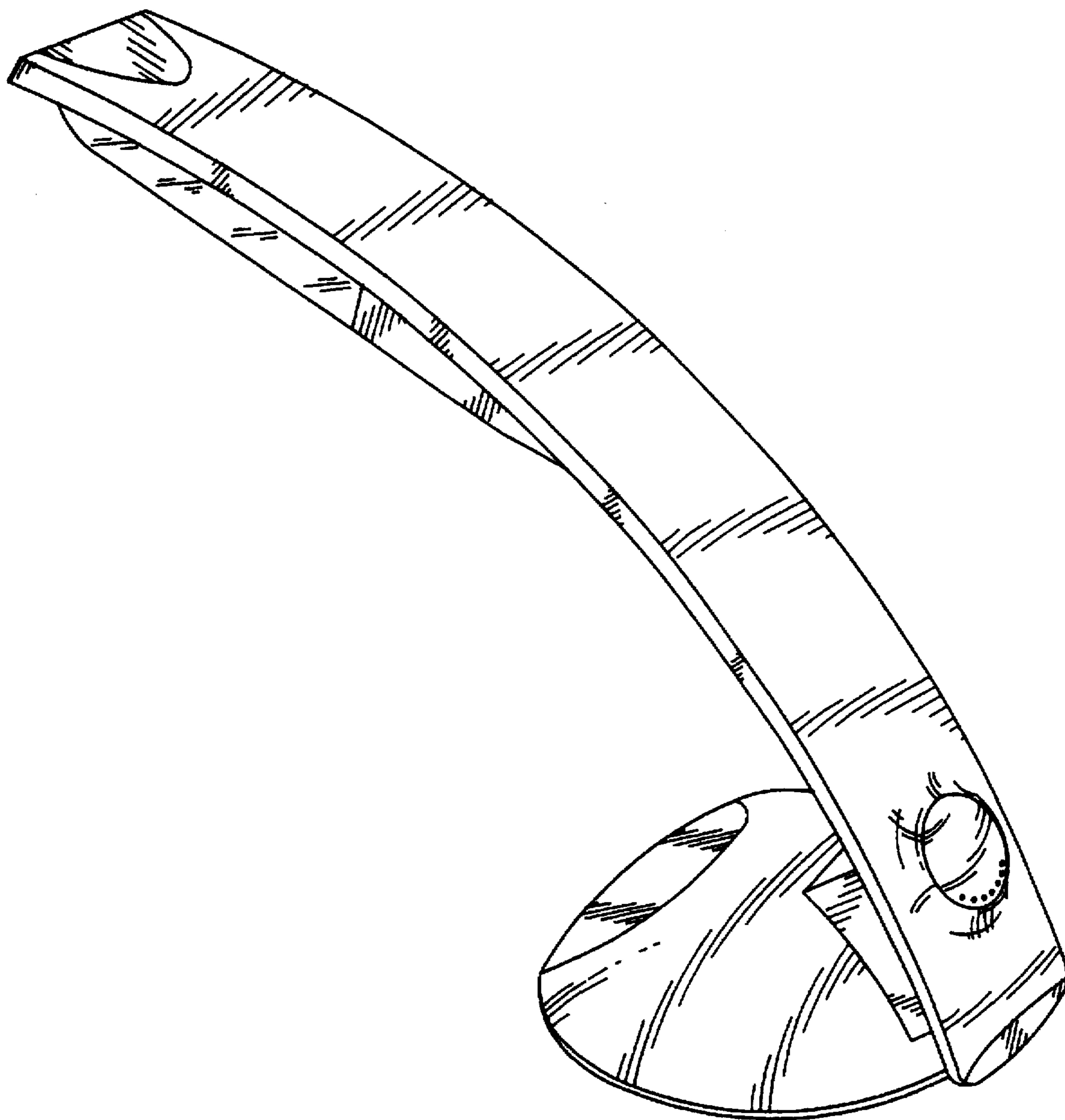


FIG. 2

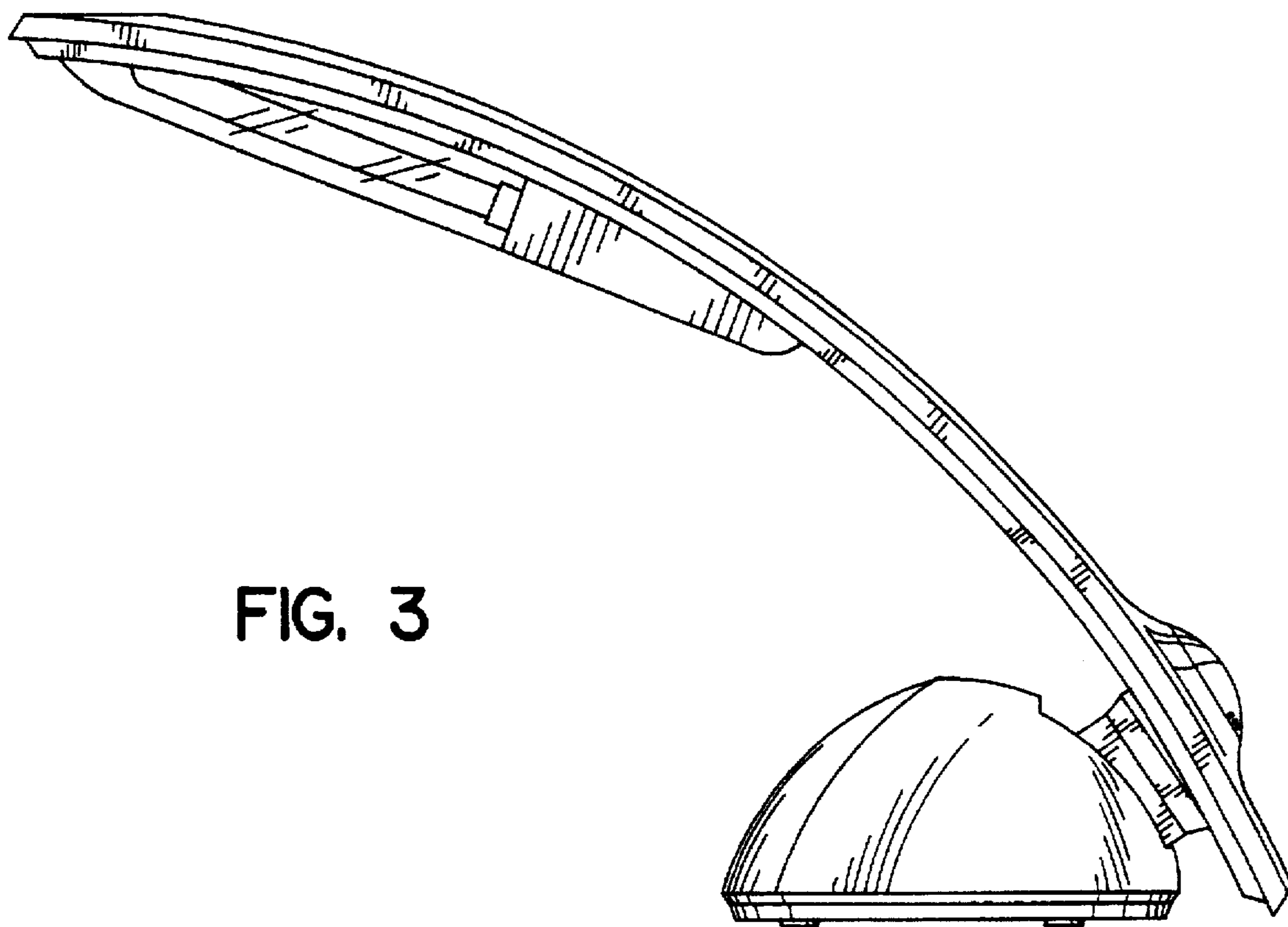


FIG. 3

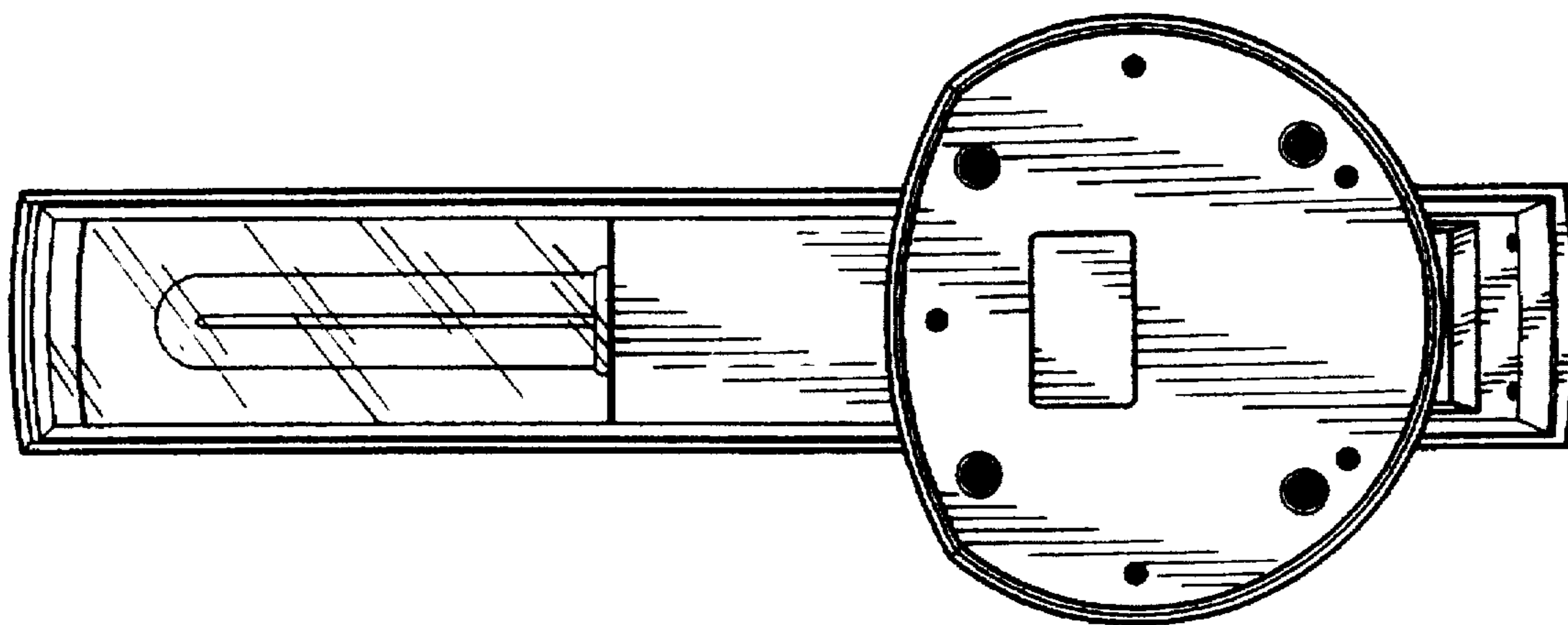


FIG. 4

FIG. 5

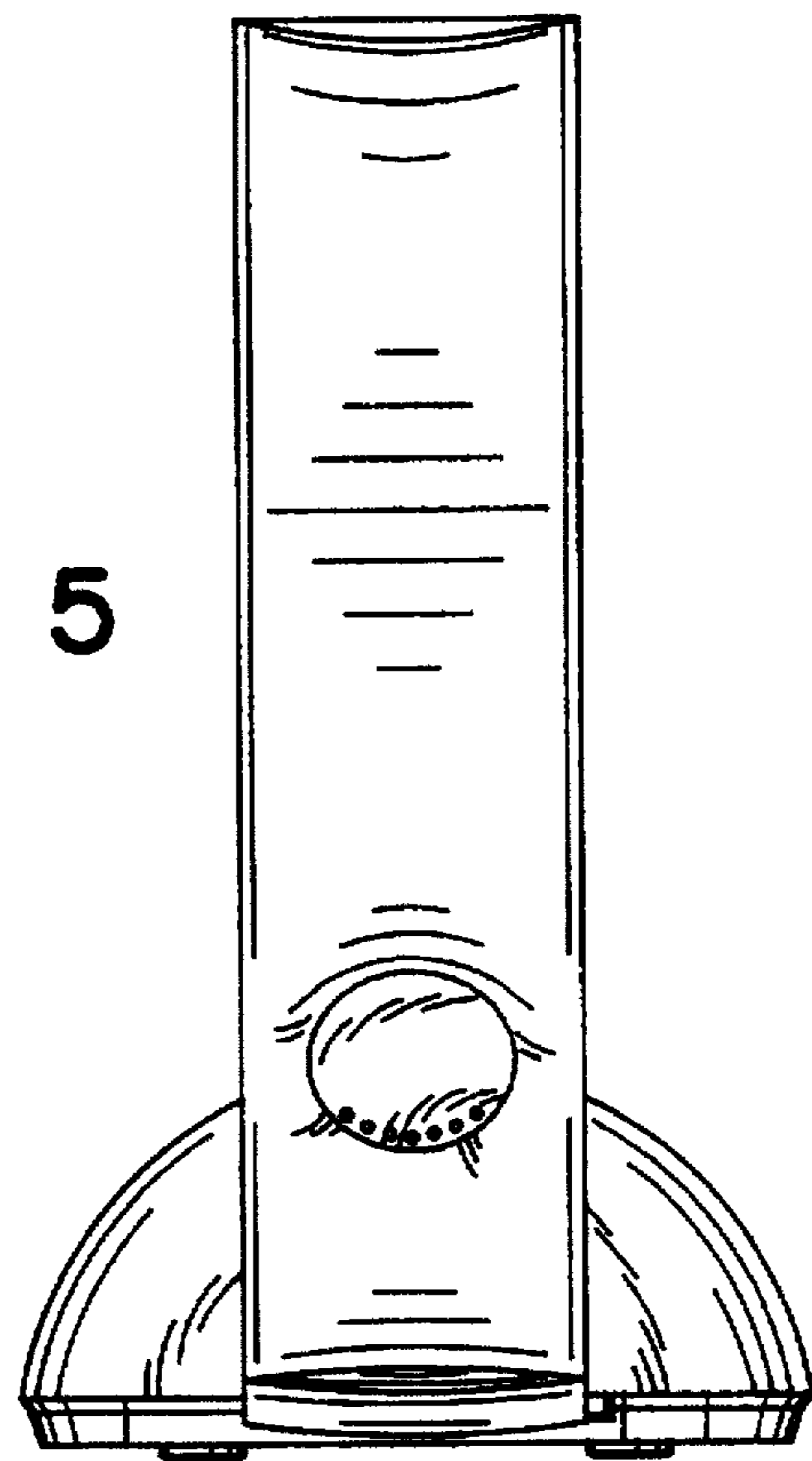
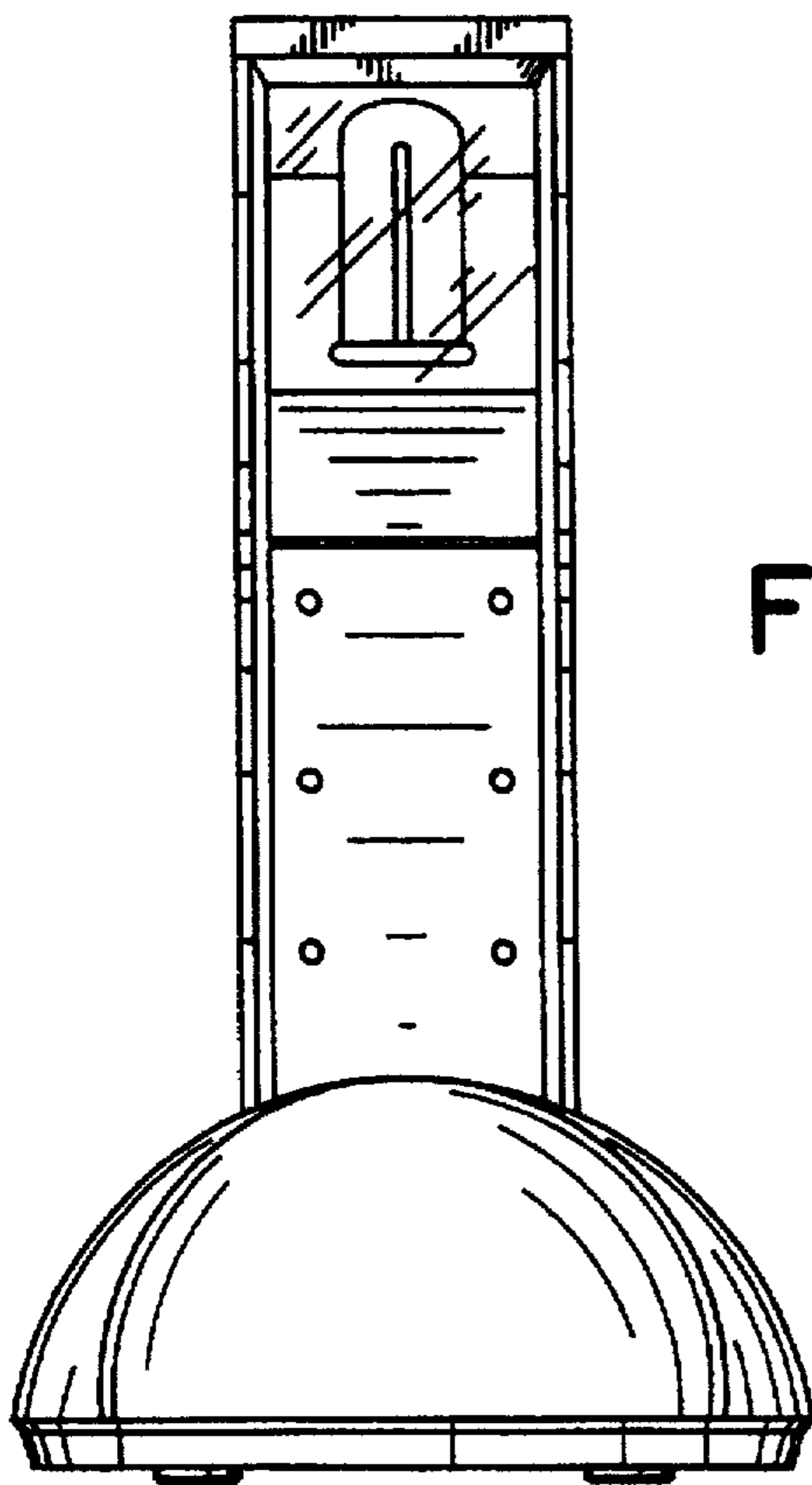


FIG. 6



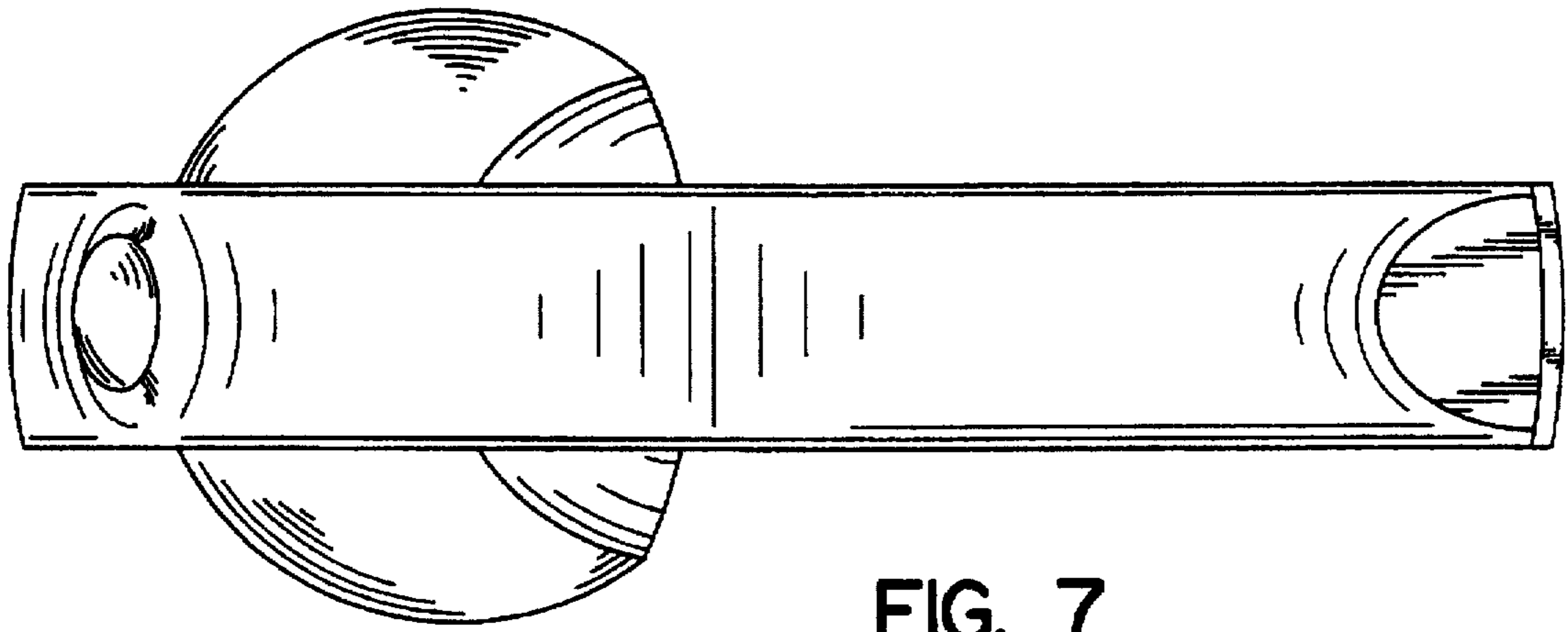


FIG. 7

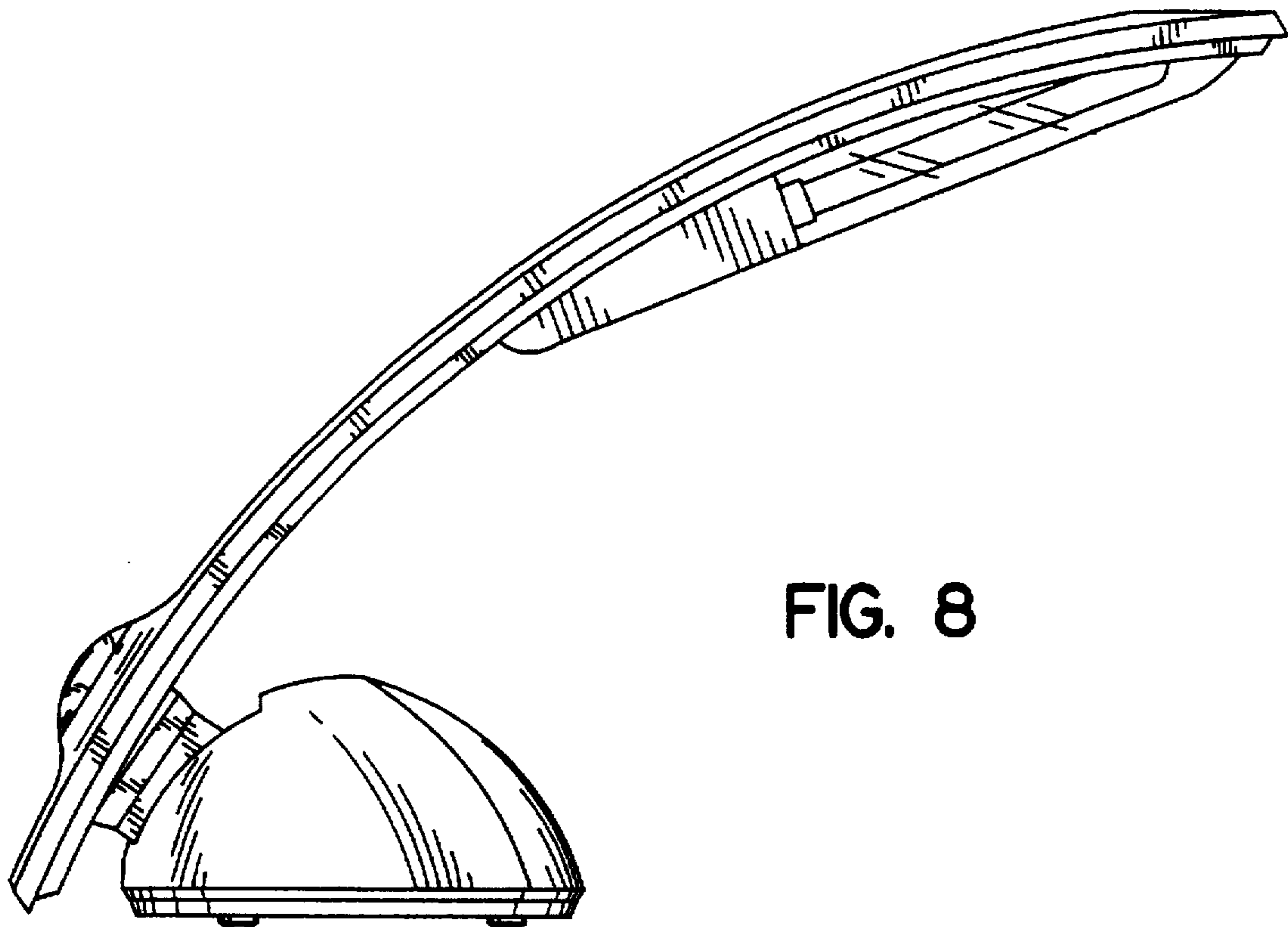


FIG. 8