



US00D385643S

# United States Patent [19]

[11] Patent Number: Des. 385,643

Brohard et al.

[45] Date of Patent: \*\*Oct. 28, 1997

[54] **PARKING LOT LUMINAIRE**

[75] Inventors: **Bonnie J. Brohard**, Hebron; **Herbert A. Fouke**, Newark; **Peter A. Koloski**, Columbus, all of Ohio

[73] Assignee: **Holophane Corporation**, Newark, Ohio

[\*\*] Term: **14 Years**

[21] Appl. No.: **61,263**

[22] Filed: **Oct. 18, 1996**

**Related U.S. Application Data**

[62] Division of Ser. No. 43,838, Aug. 30, 1995.

[51] LOC (6) Cl. .... **26-03**

[52] U.S. Cl. .... **D26/71; D26/87**

[58] Field of Search ..... **D26/67, 68, 69, D26/70, 71, 72, 80-92; 362/147, 432, 431**

[56] **References Cited**

**U.S. PATENT DOCUMENTS**

- D. 239,861 5/1976 Steenhoven .
- D. 239,986 5/1976 Van Steenhoven ..... D26/71
- D. 358,898 5/1995 Compton ..... D26/67

*Primary Examiner*—Susan J. Lucas  
*Attorney, Agent, or Firm*—Brooks & Kushman P.C.

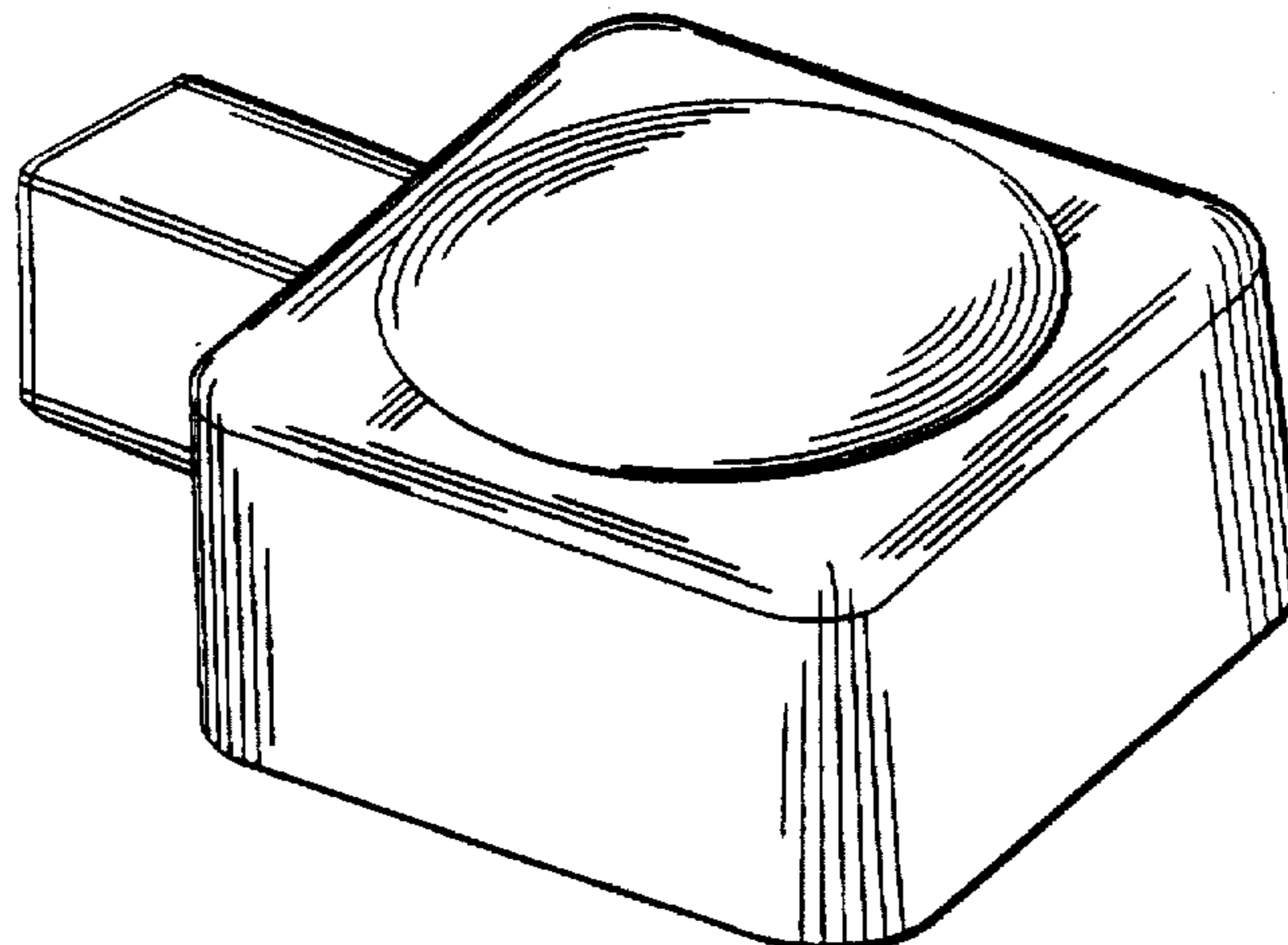
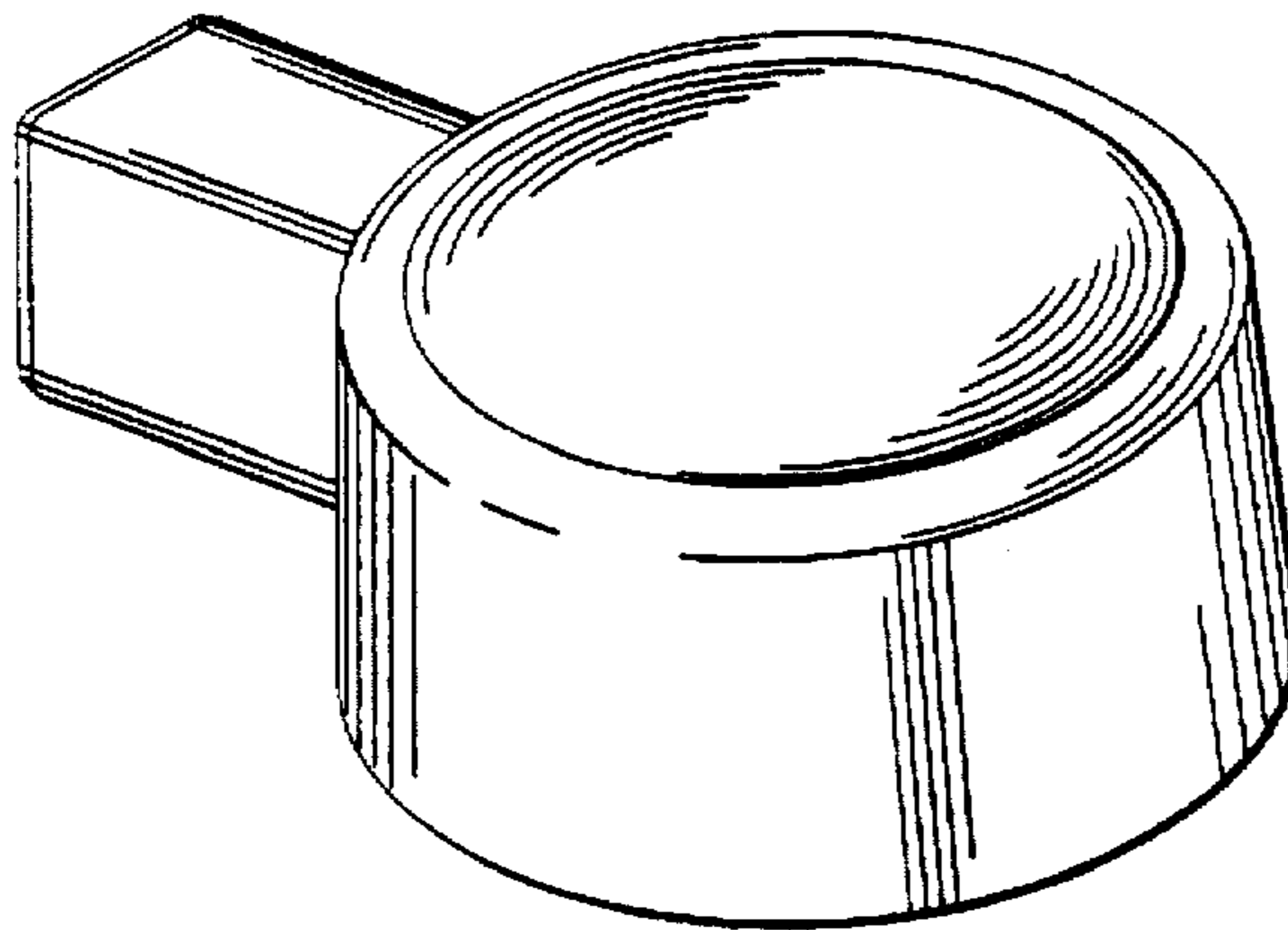
[57] **CLAIM**

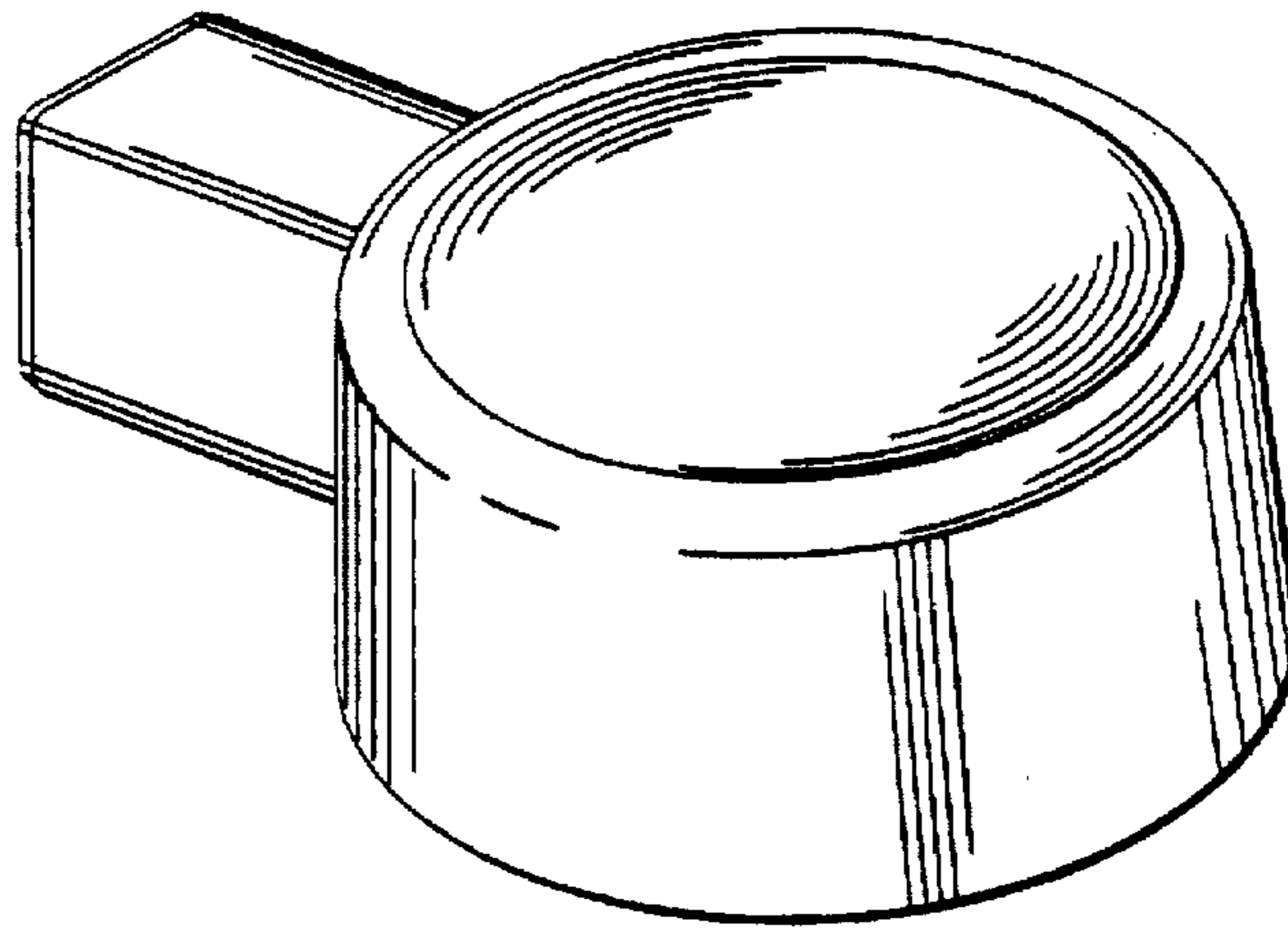
The ornamental design for a parking lot luminaire, as shown and described.

**DESCRIPTION**

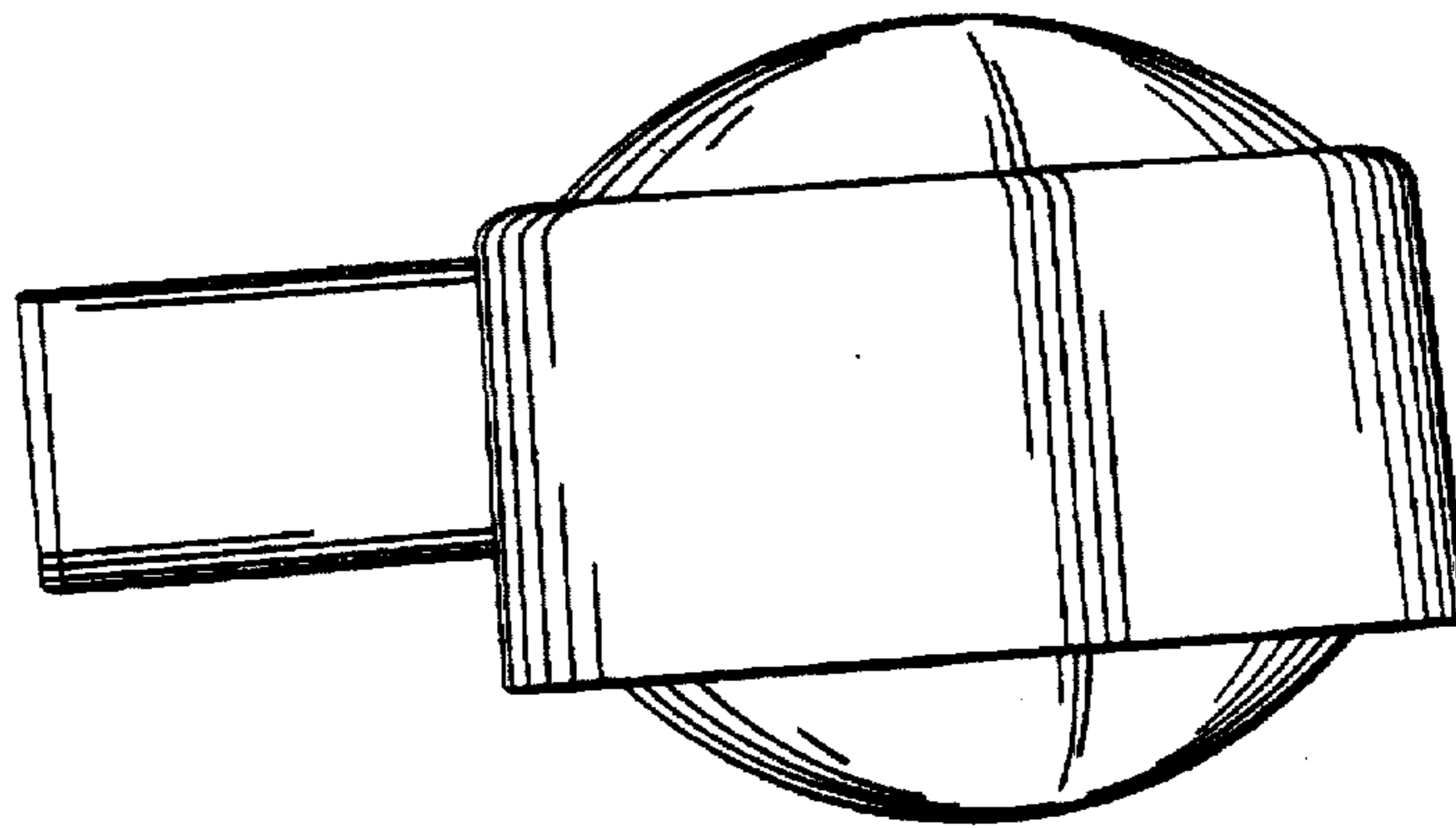
FIG. 1 is a perspective view of a first embodiment of our new design;  
 FIG. 2 is a right side elevational view of the first embodiment;  
 FIG. 3 is a bottom plan view of the first embodiment;  
 FIG. 4 is a top plan view of the first embodiment;  
 FIG. 5 is a front elevational view of the first embodiment;  
 FIG. 6 is a rear elevational view of the first embodiment;  
 FIG. 7 is a perspective view of a second embodiment of our new design;  
 FIG. 8 is a right side elevational view of the second embodiment;  
 FIG. 9 is a bottom plan view of the second embodiment;  
 FIG. 10 is a top plan view of the second embodiment;  
 FIG. 11 is a front elevational view of the second embodiment; and,  
 FIG. 12 is a rear elevational view of the second embodiment.

**1 Claim, 4 Drawing Sheets**

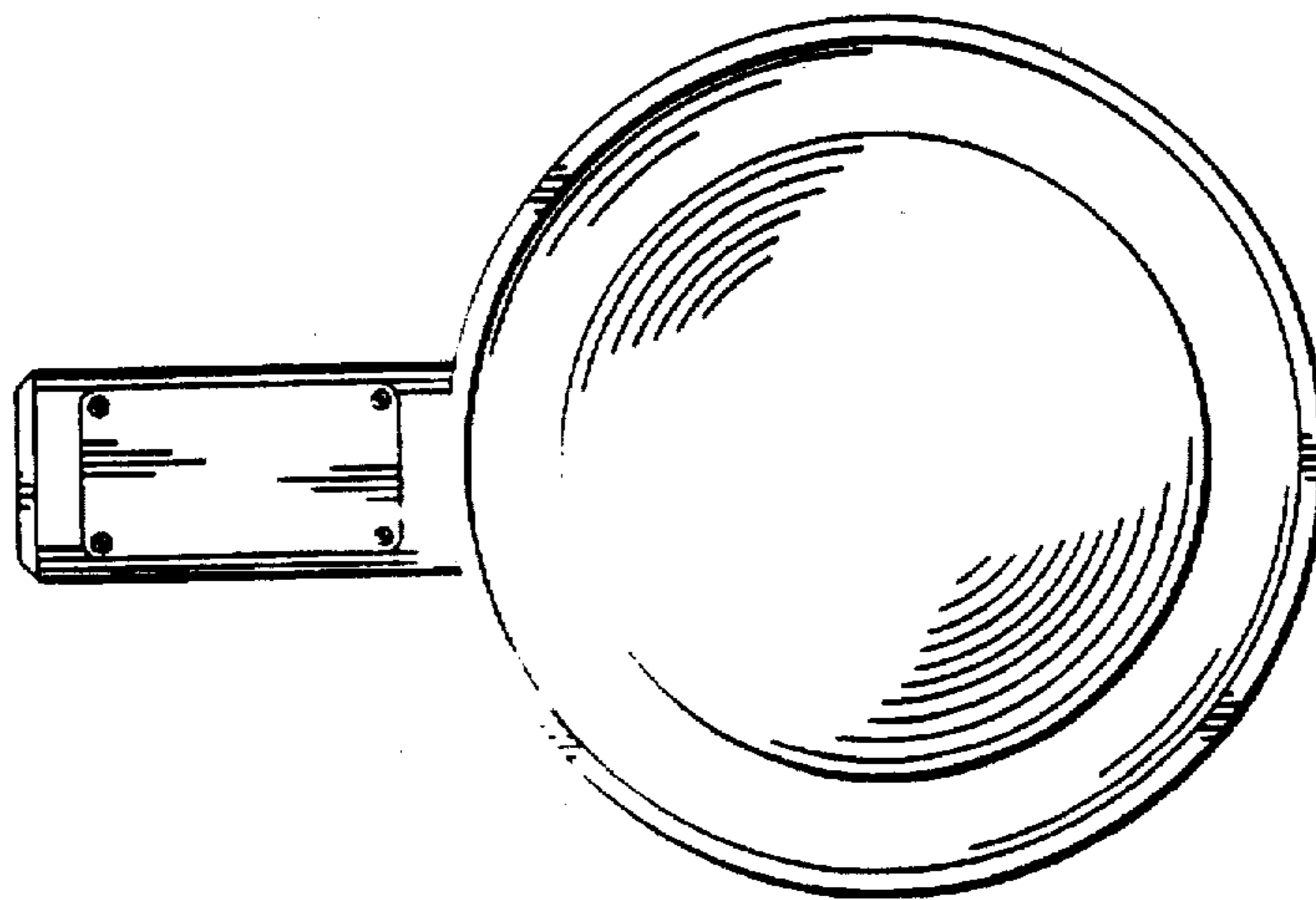




*Fig. 1*

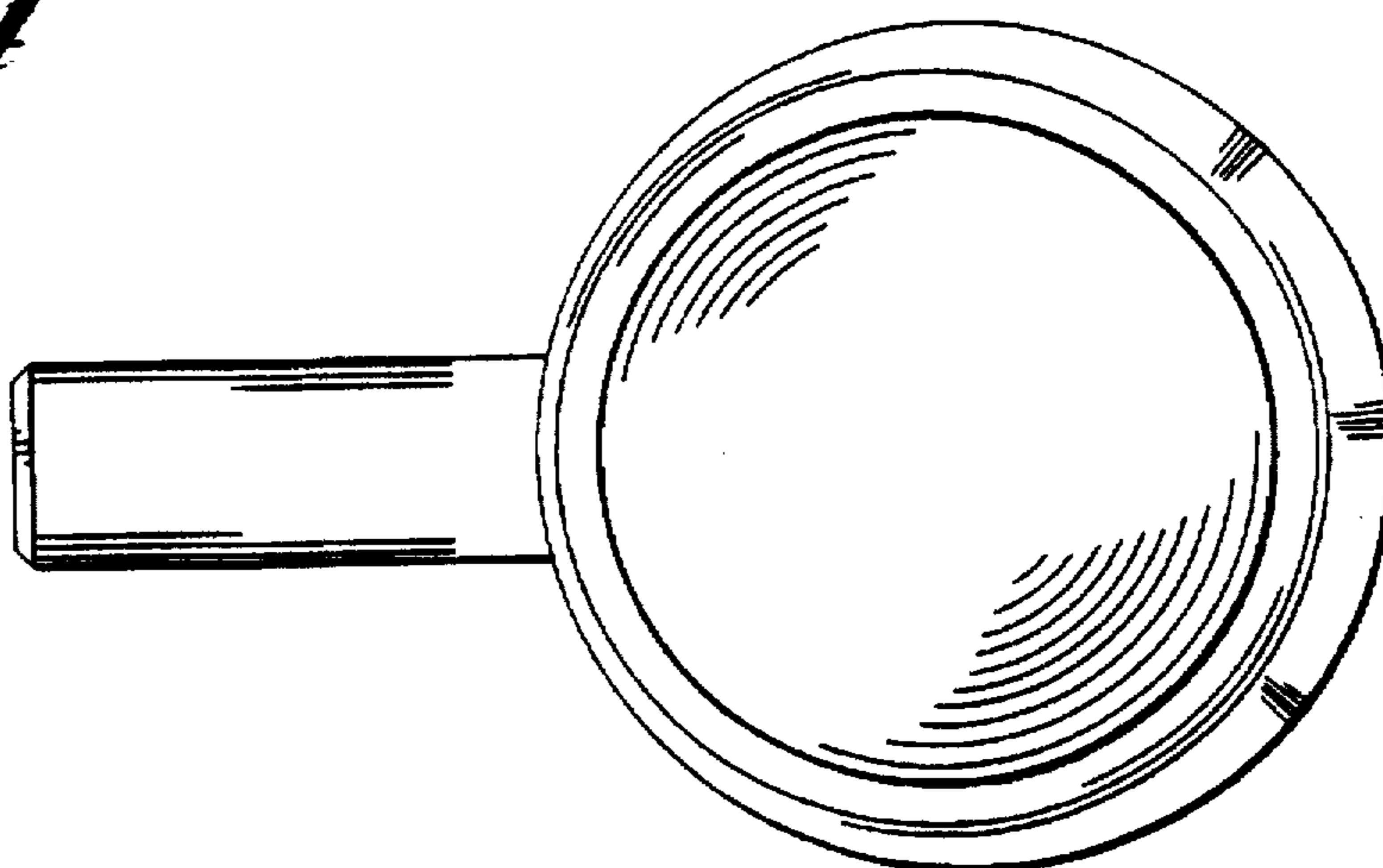


*Fig. 2*

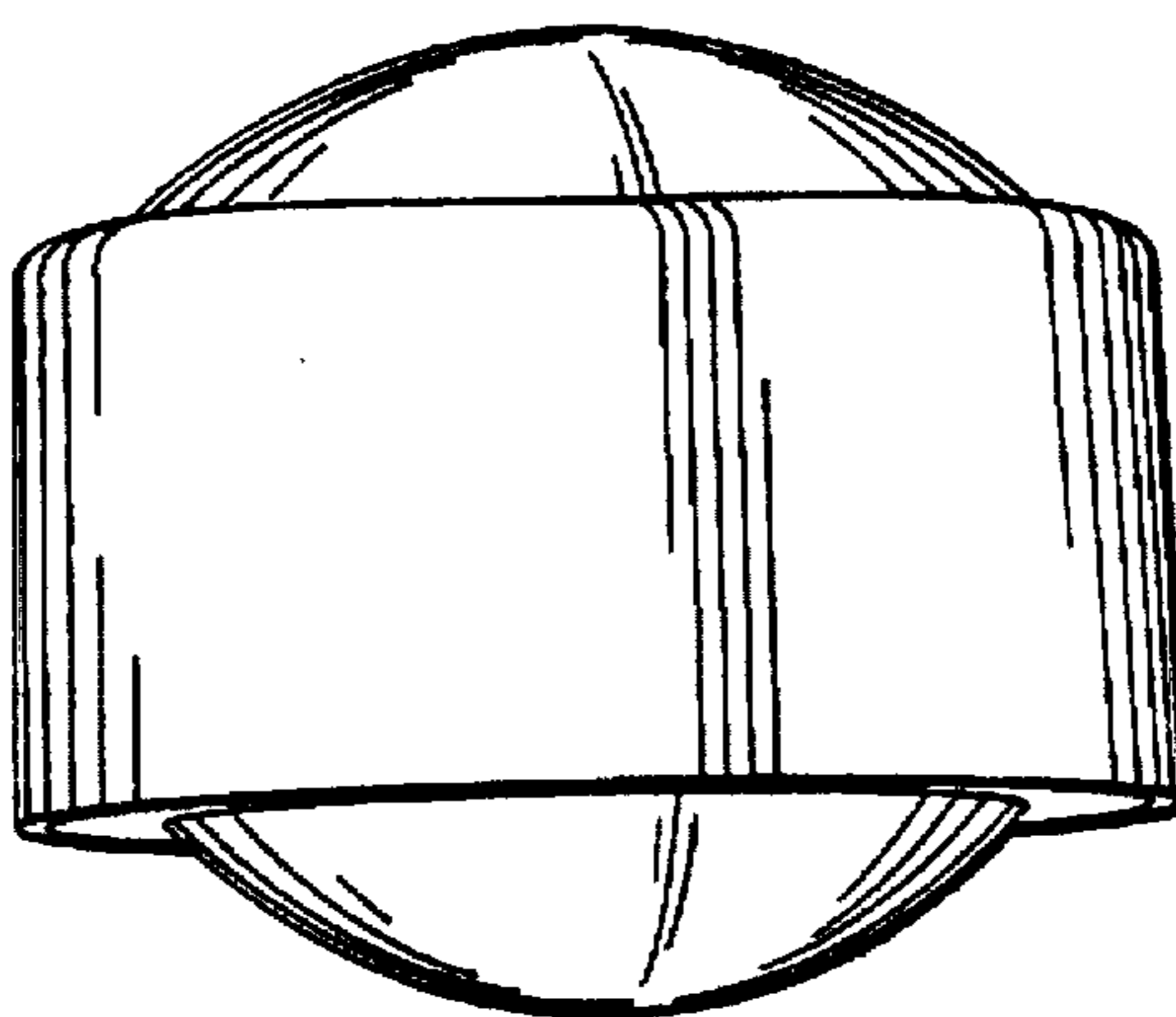


*Fig. 3*

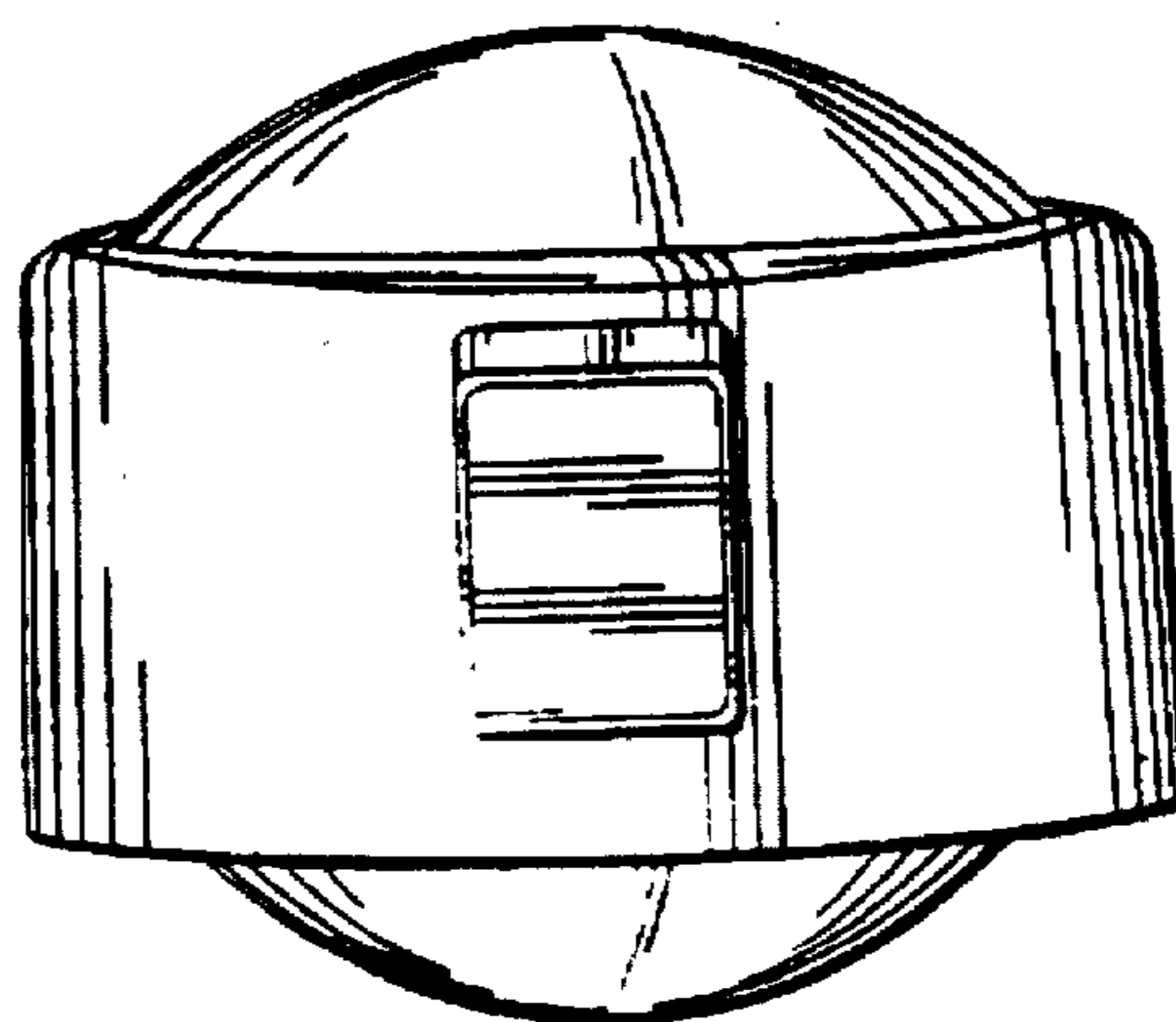
*Fig. 4*

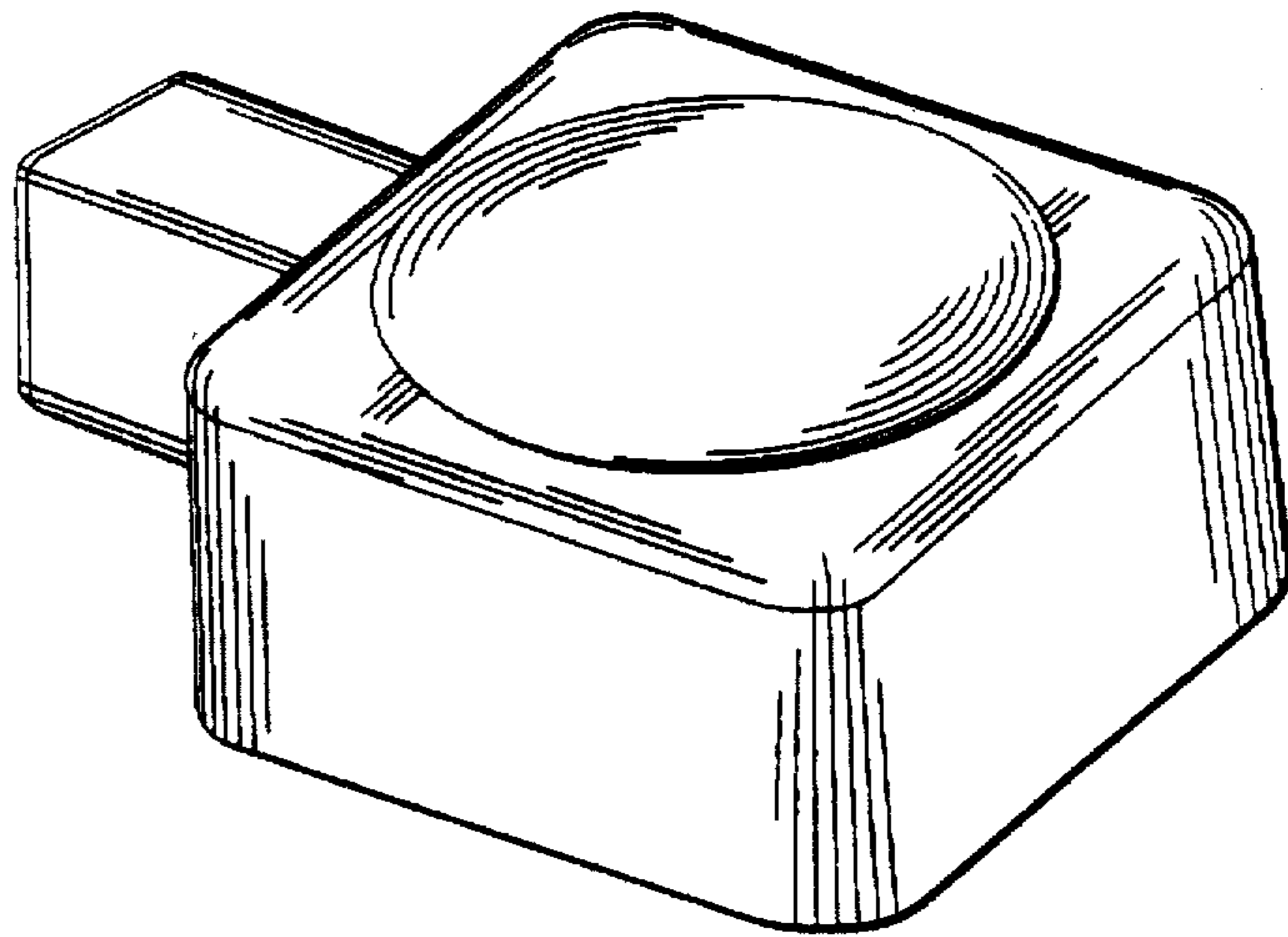


*Fig. 5*

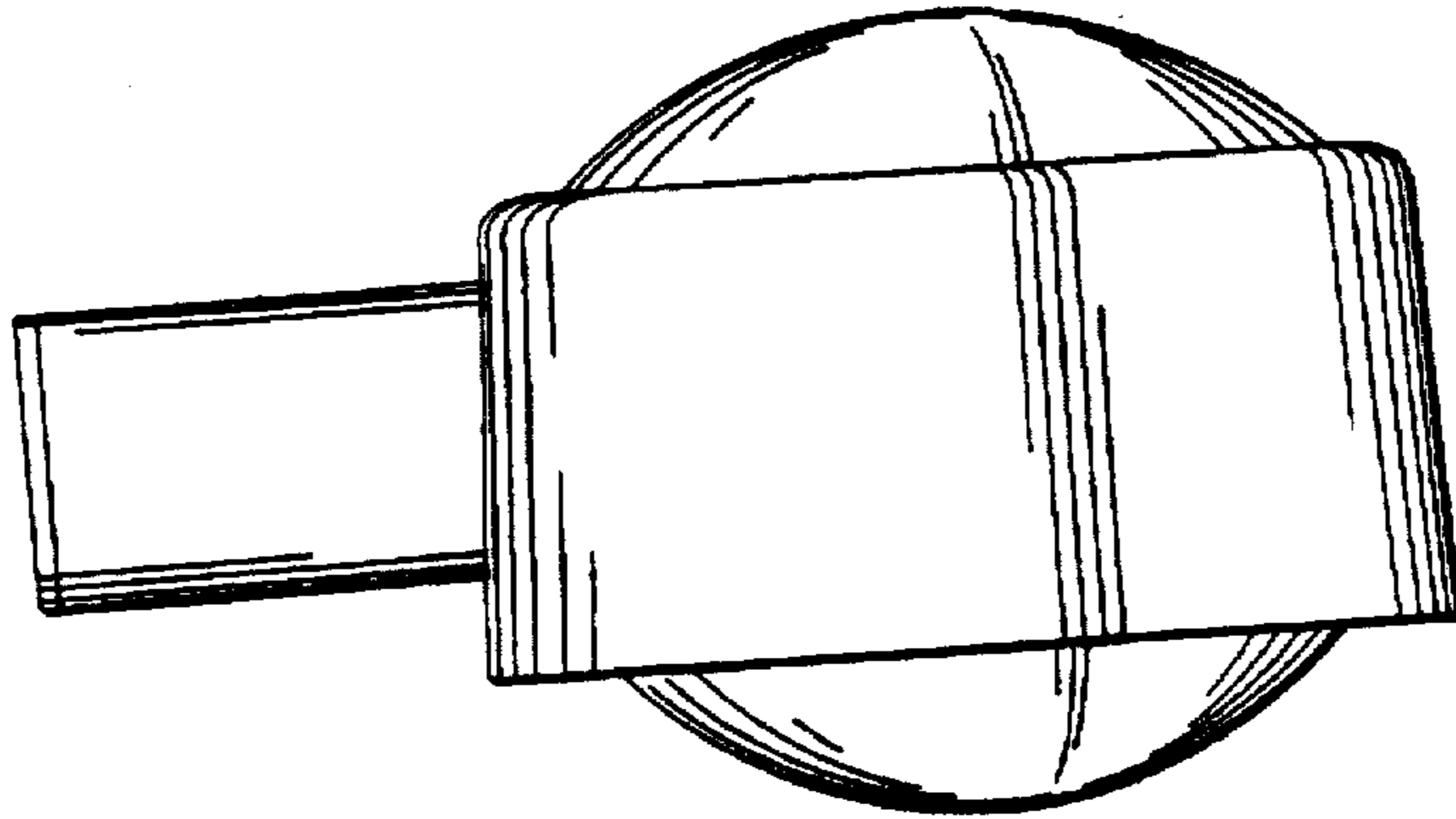


*Fig. 6*

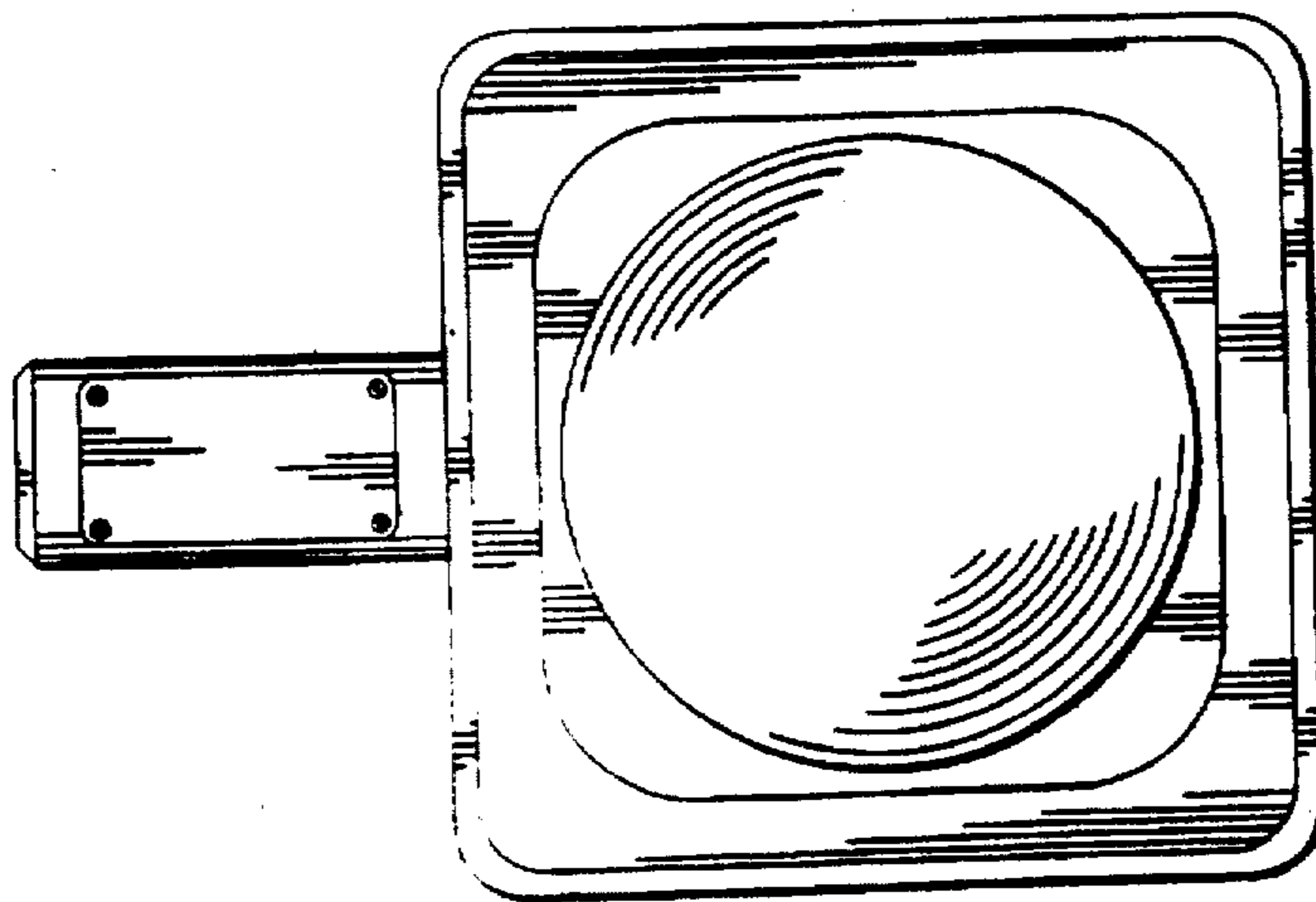




*Fig. 7*

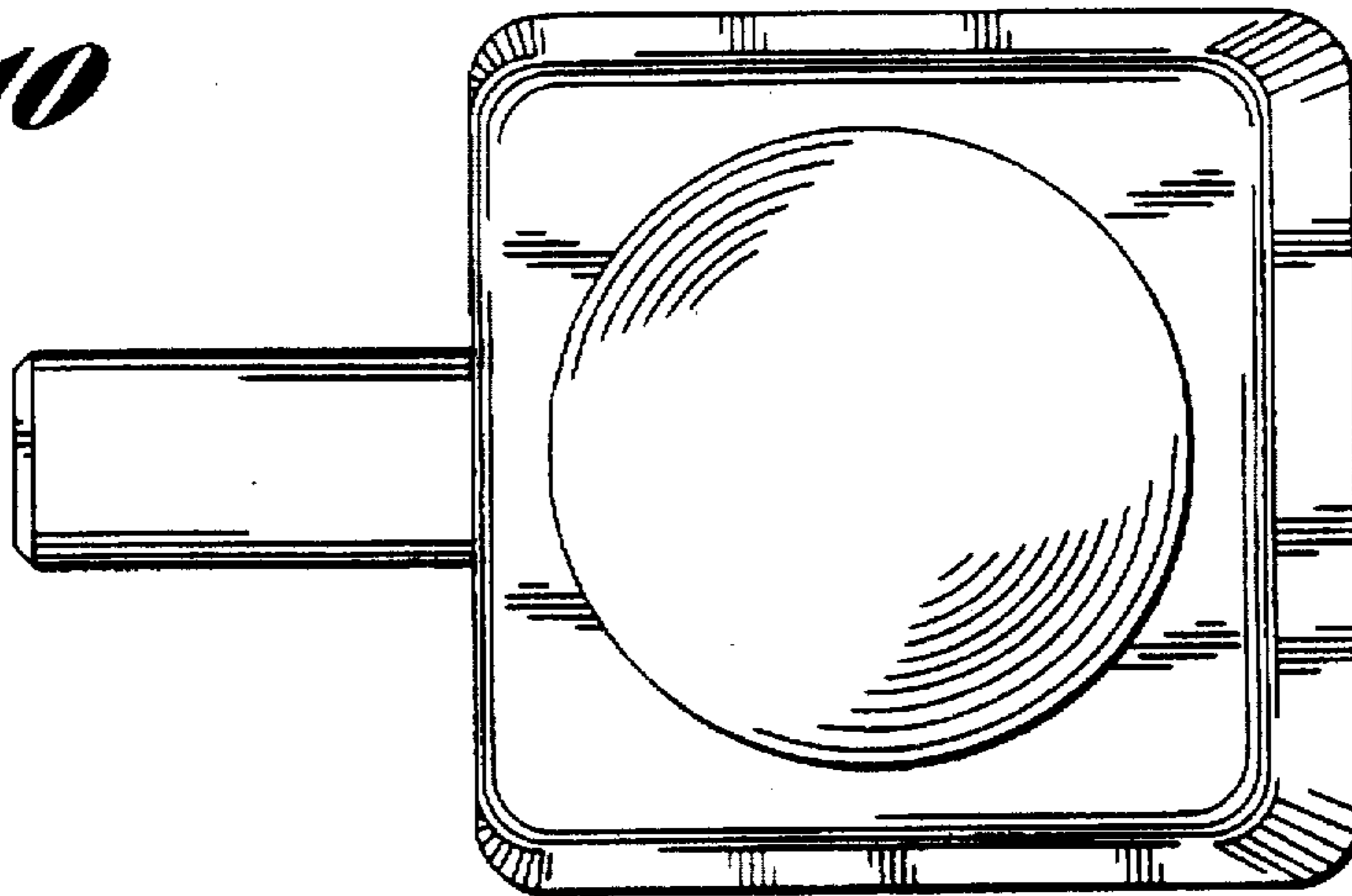


*Fig. 8*

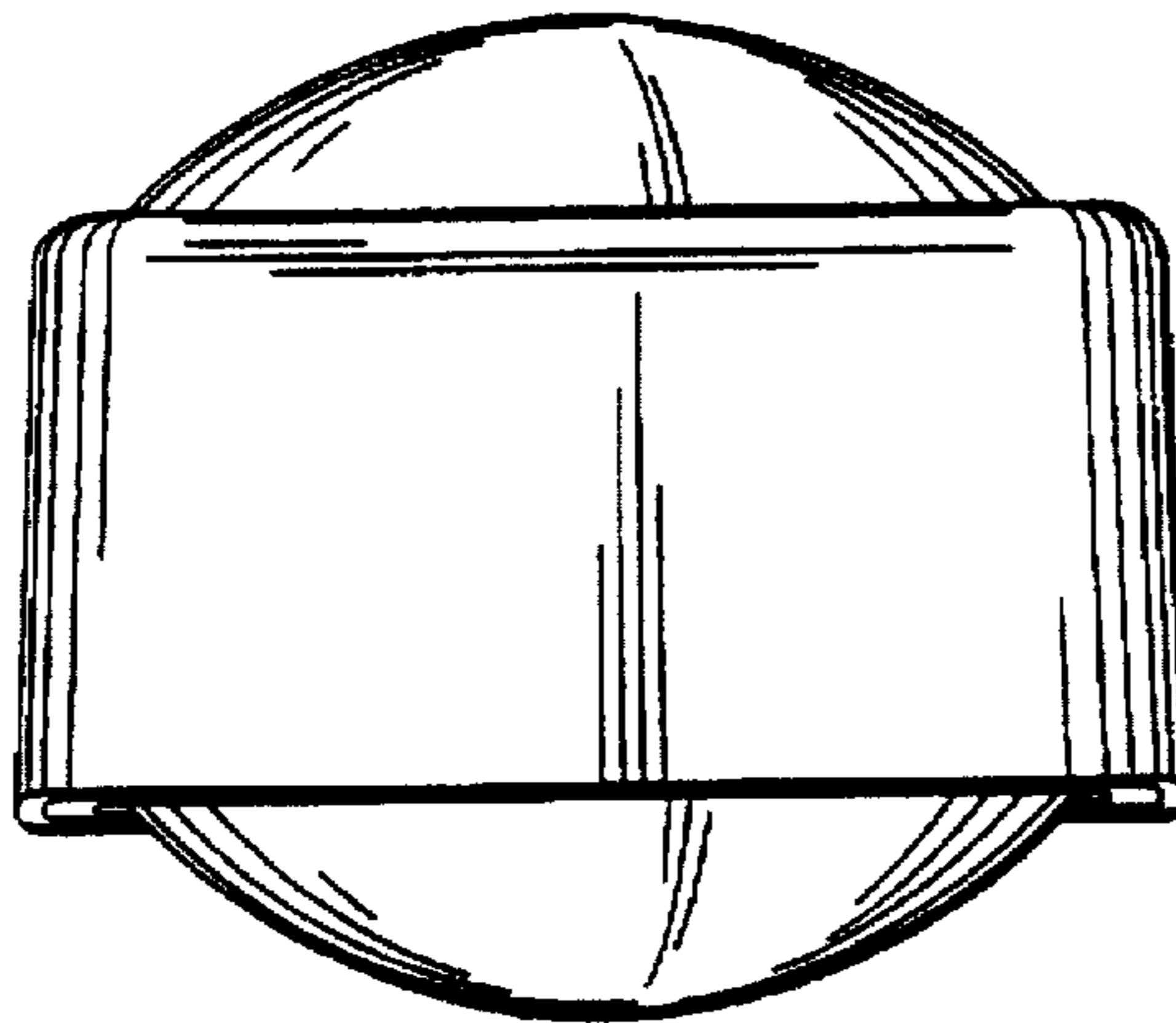


*Fig. 9*

*Fig. 10*



*Fig. 11*



*Fig. 12*

