



US00D385642S

United States Patent [19]

Brohard et al.

[11] Patent Number: **Des. 385,642**

[45] Date of Patent: ****Oct. 28, 1997**

[54] PARKING LOT LUMINAIRE

[75] Inventors: **Bonnie J. Brohard**, S.E. Hebron;
Herbert A. Fouke, Newark; **Peter A. Koloski**, Columbus, all of Ohio

[73] Assignee: **Holophane Corporation**, Newark, Ohio

[**] Term: **14 Years**

[21] Appl. No.: **61,223**

[22] Filed: **Oct. 18, 1996**

Related U.S. Application Data

[62] Division of Ser. No. 43,838, Aug. 30, 1995.

[51] LOC (6) Cl. **26-03**

[52] U.S. Cl. **D26/71; D26/87**

[58] Field of Search **D26/67, 68, 69, D26/70, 71, 72, 80-92; 362/147, 432, 431**

[56] References Cited

U.S. PATENT DOCUMENTS

D. 239,986 5/1976 van Steenhoven D26/71
D. 358,898 5/1995 Compton D26/67

Primary Examiner—Susan J. Lucas
Attorney, Agent, or Firm—Brooks & Kushman P.C.

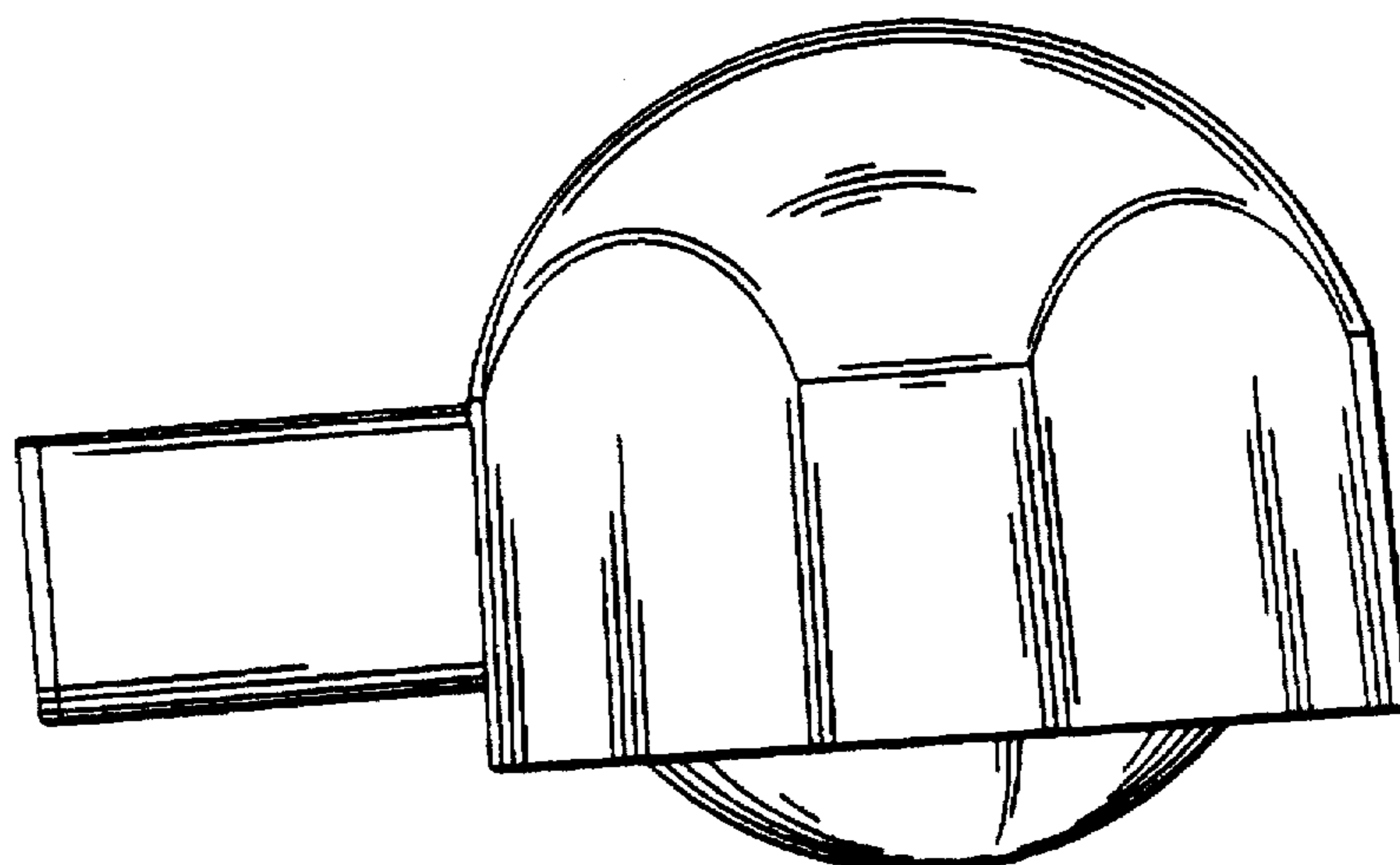
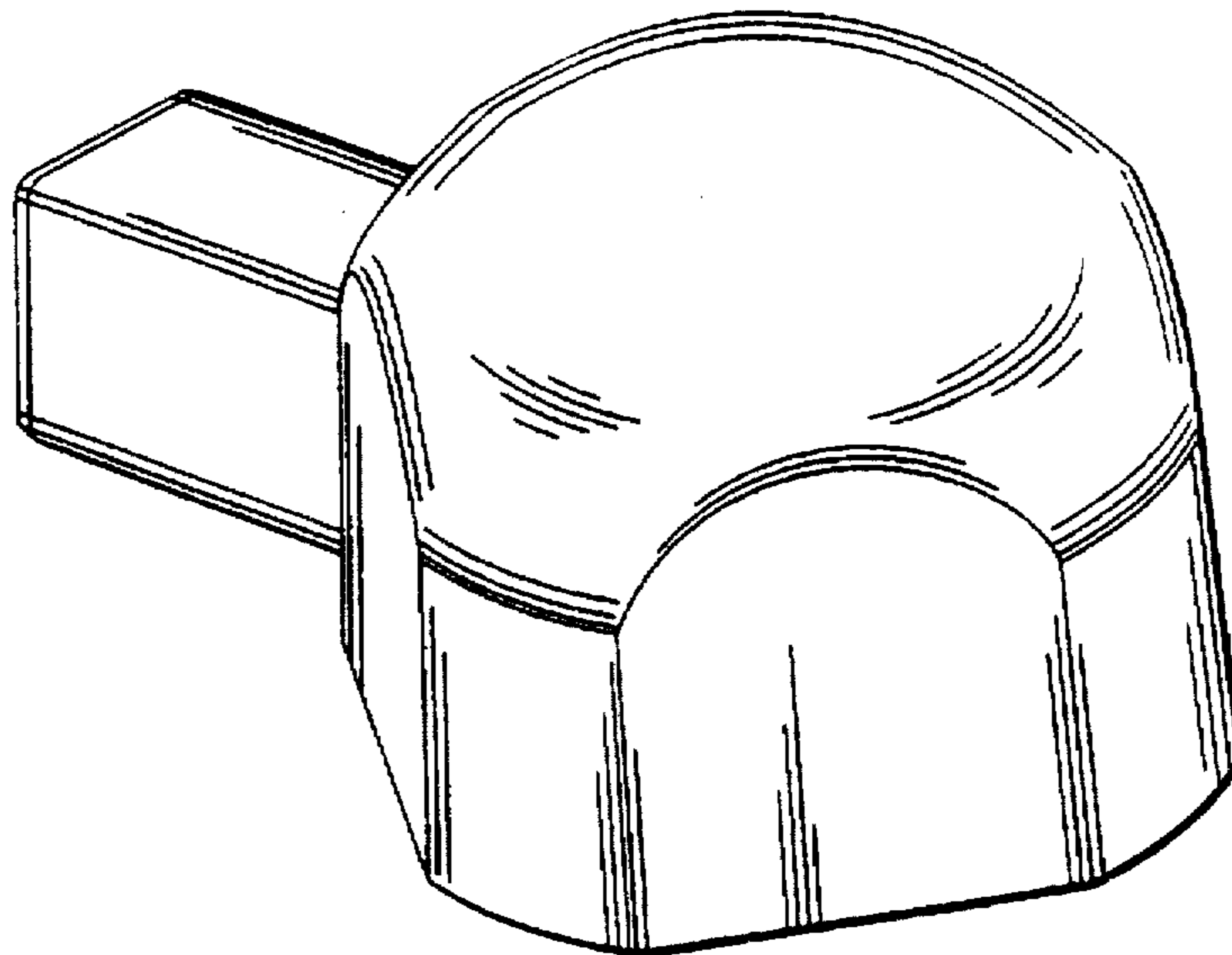
[57] CLAIM

The ornamental design for a parking lot luminaire, as shown and described.

DESCRIPTION

FIG. 1 is a perspective view of our new design;
FIG. 2 is a right side elevational view thereof;
FIG. 3 is a bottom plan view thereof;
FIG. 4 is a top plan view thereof;
FIG. 5 is a front elevational view thereof; and,
FIG. 6 is a rear elevational view thereof.

1 Claim, 2 Drawing Sheets



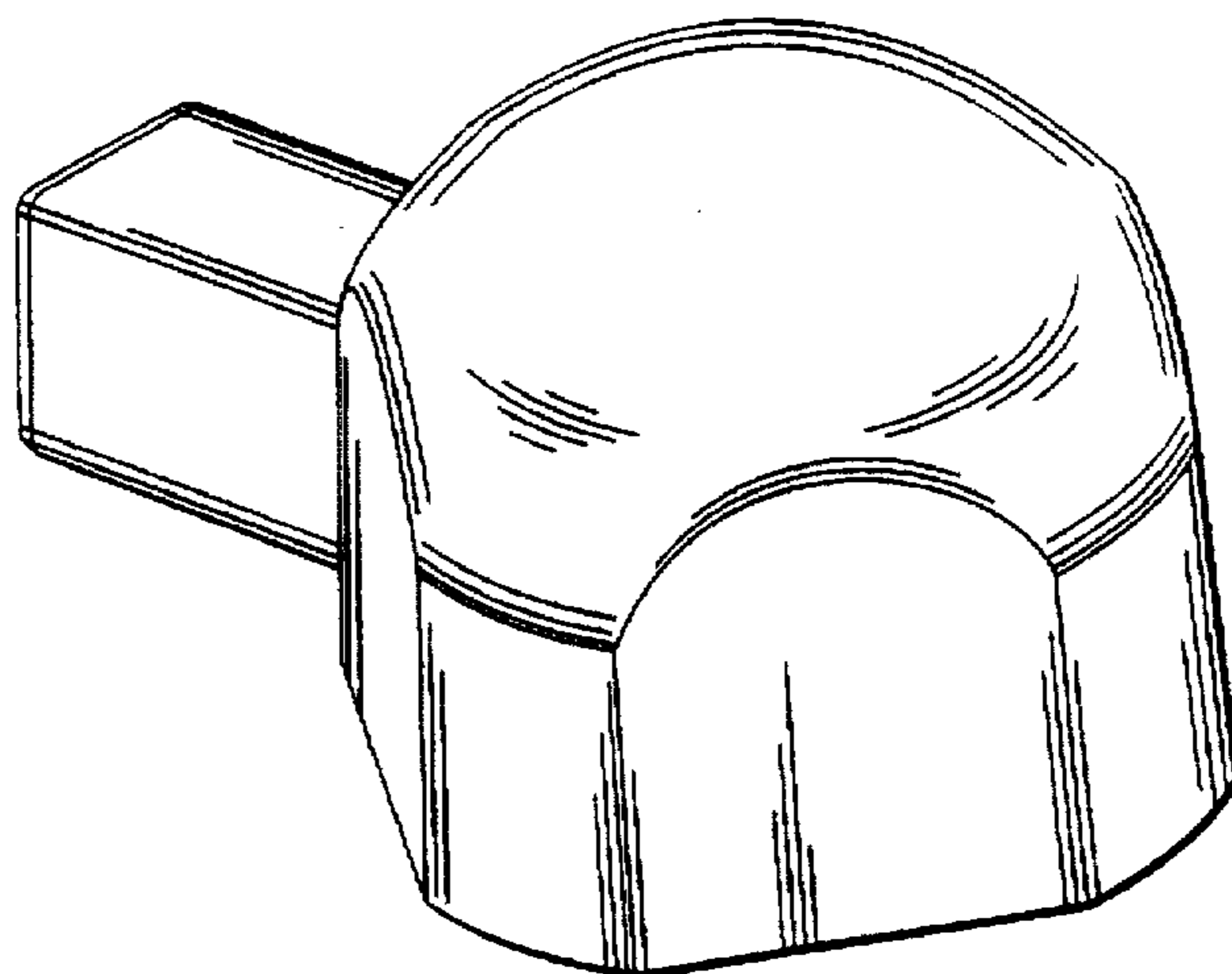


Fig. 1

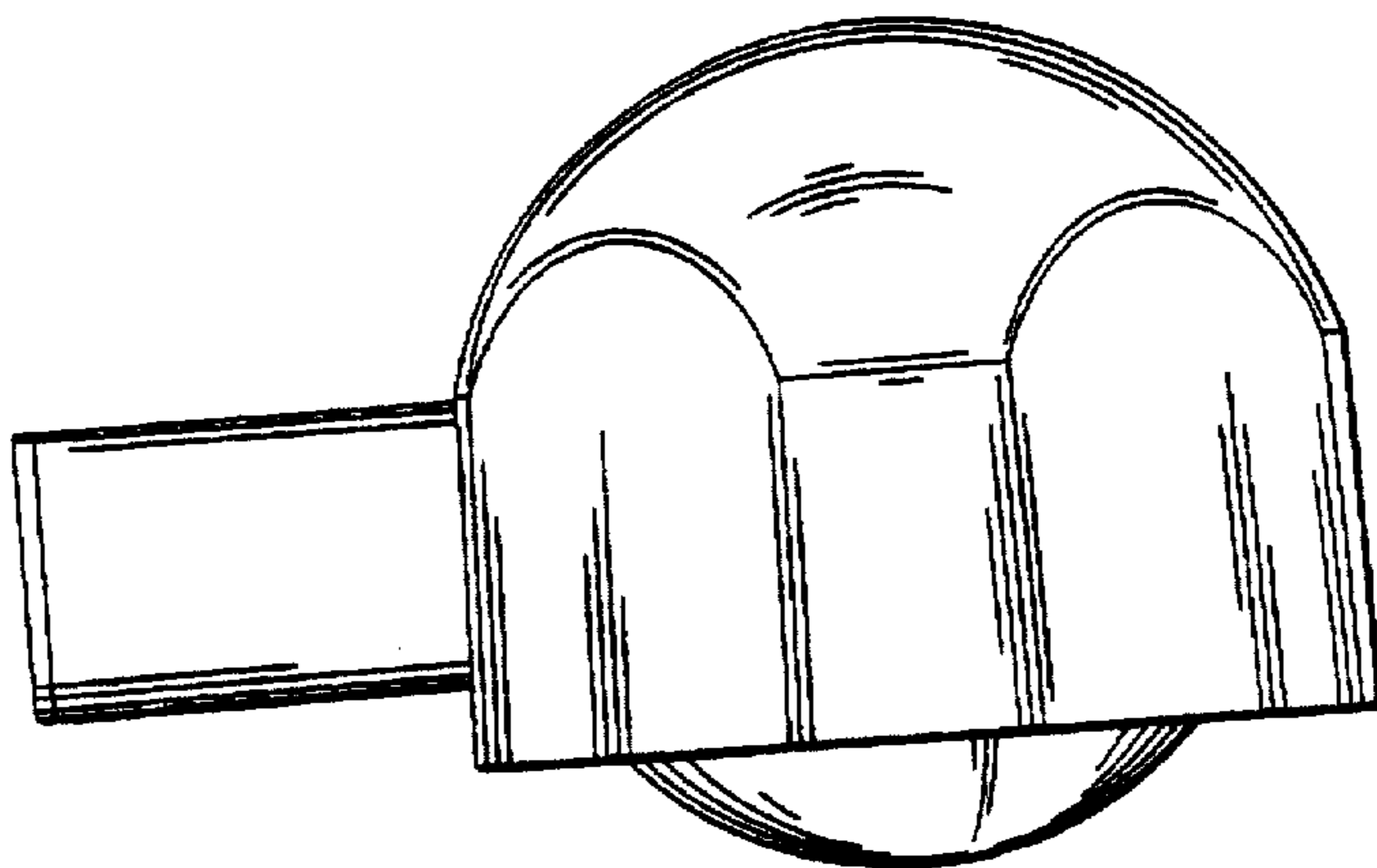


Fig. 2

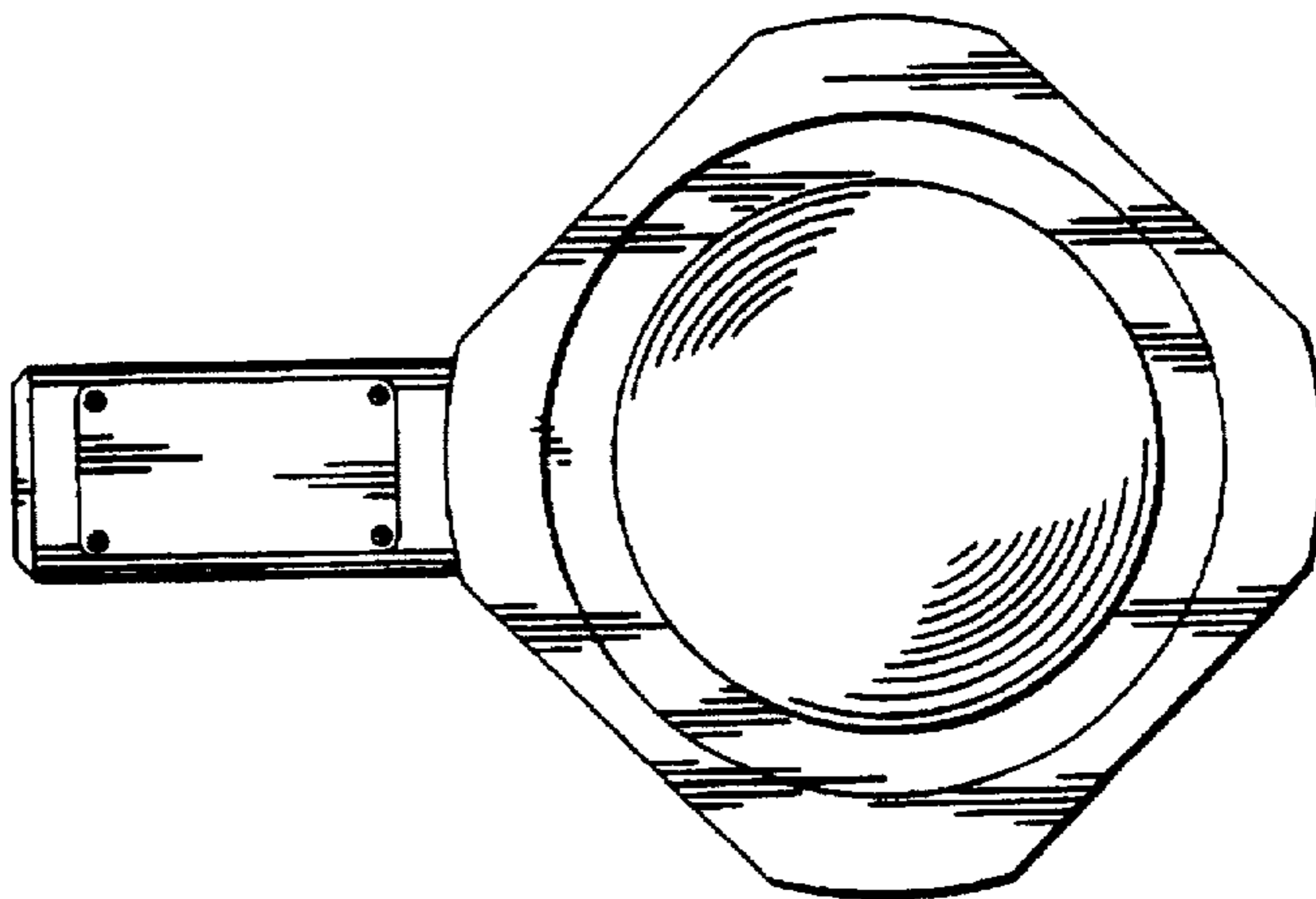


Fig. 3

Fig. 4

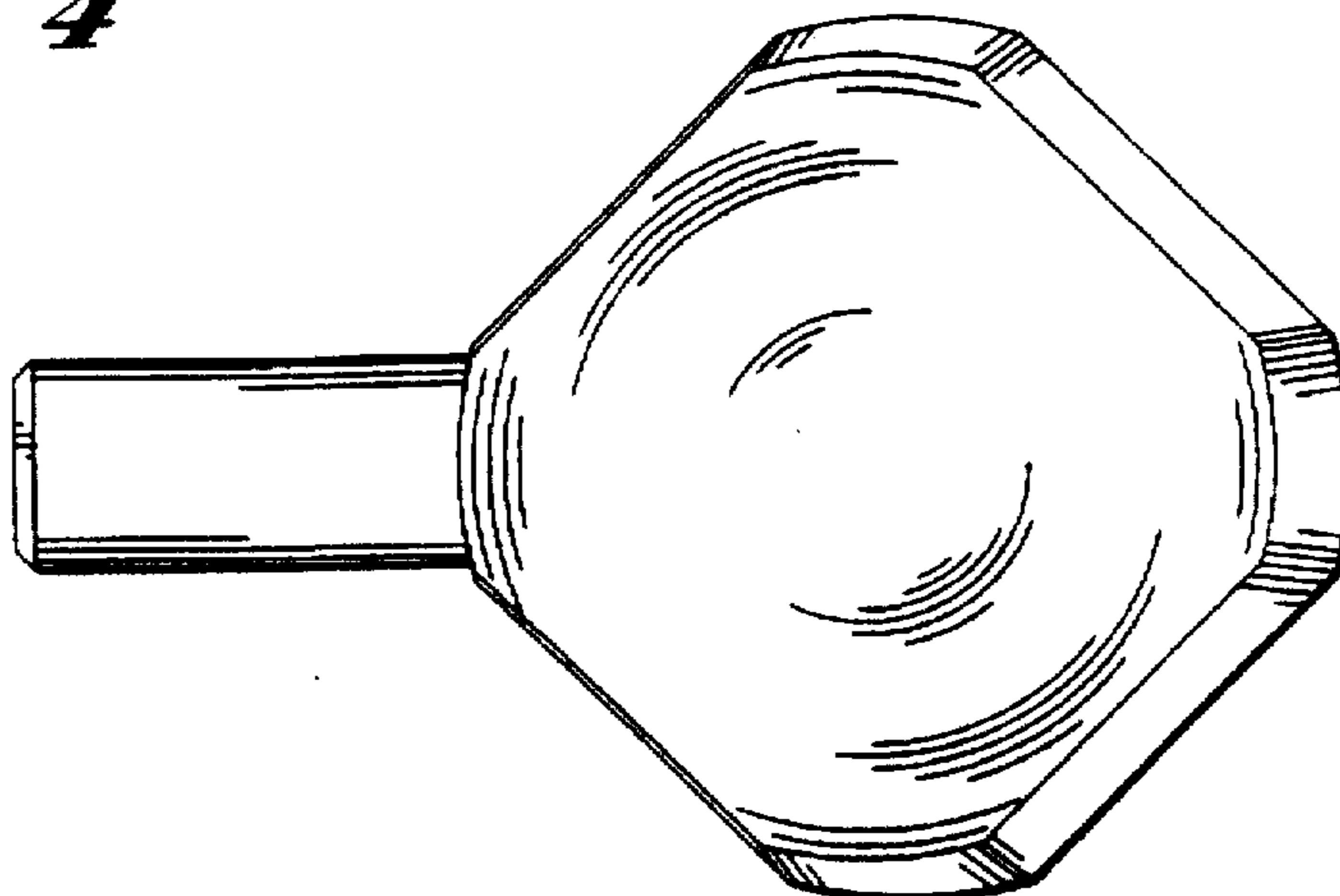


Fig. 5

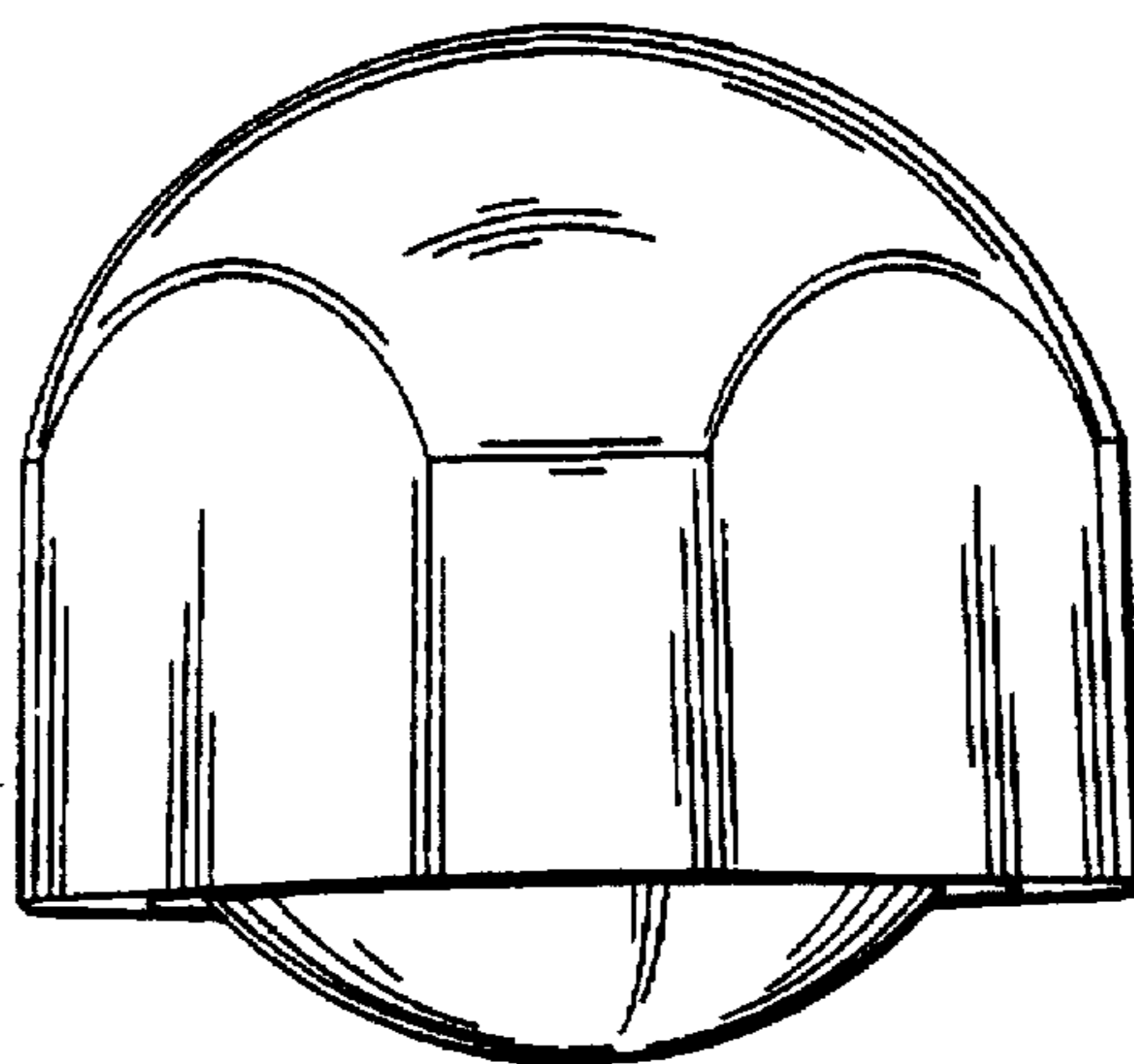


Fig. 6

