



US00D385641S

United States Patent [19]
Chan

[11] **Patent Number: Des. 385,641**
[45] **Date of Patent: **Oct. 28, 1997**

[54] **FLOOR LAMP**

Primary Examiner—Susan J. Lucas

[75] **Inventor: Kam-Hoi Chan, Shatin, Hong Kong**

[57] **CLAIM**

[73] **Assignee: Go-Gro Industries Ltd., Kowloon Bay, Hong Kong**

The ornamental design for a floor lamp, as shown.

[**] **Term: 14 Years**

DESCRIPTION

[21] **Appl. No.: 49,371**

FIG. 1 is a perspective view of a floor lamp showing my new design;

[22] **Filed: Jan. 24, 1996**

FIG. 2 is a front elevational view thereof;

[51] **LOC (6) Cl. 26-05**

[52] **U.S. Cl. D26/65**

[58] **Field of Search** D26/93, 102-112,
D26/63, 65, 61; 362/410-414, 269, 275,
287, 418, 419, 427

FIG. 3 is a rear elevational view thereof;

FIG. 4 is a right side elevational view thereof;

FIG. 5 is a left side elevational view thereof;

FIG. 6 is a top plan view thereof; and,

FIG. 7 is a bottom plan view thereof.

[56] **References Cited**
PUBLICATIONS

Home Lighting & Accessories, Feb. 1993, p. 71, Floor Lamp #GL-992G.

Hong Kong Enterprise, Aug. 1980, p. 205, Desk Lamp Reflector (HIL-64).

1 Claim, 6 Drawing Sheets

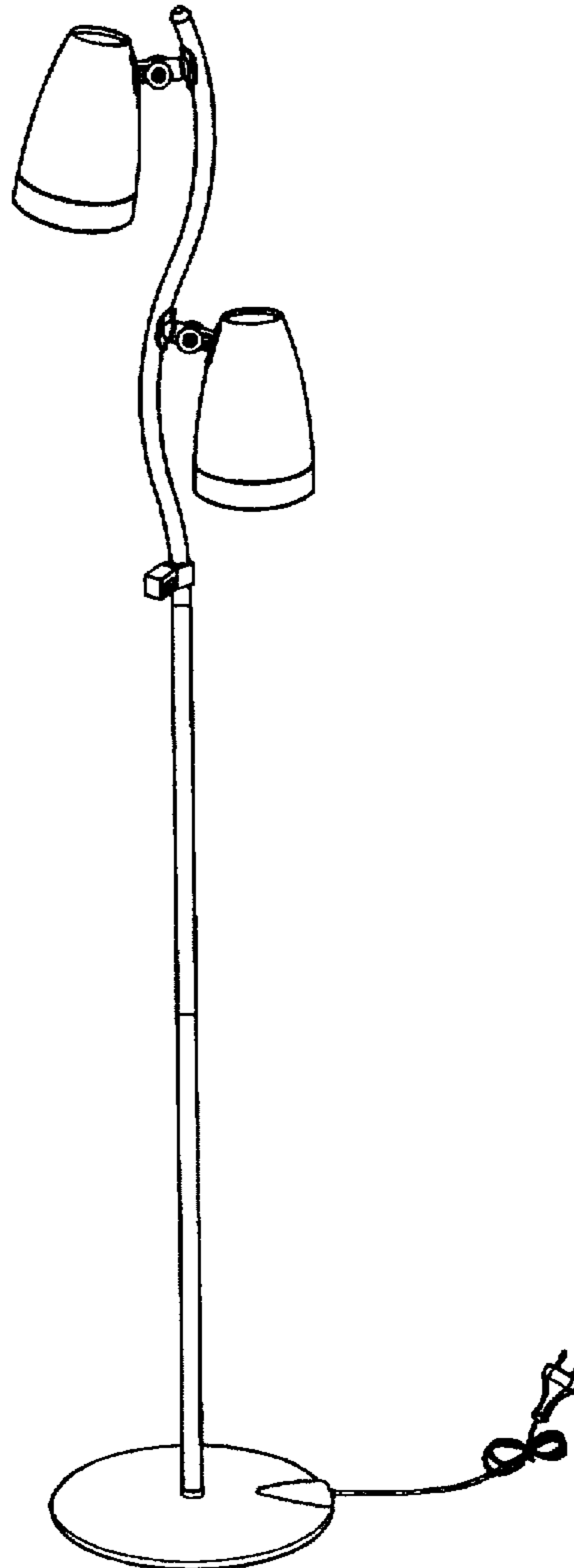


FIG. 1

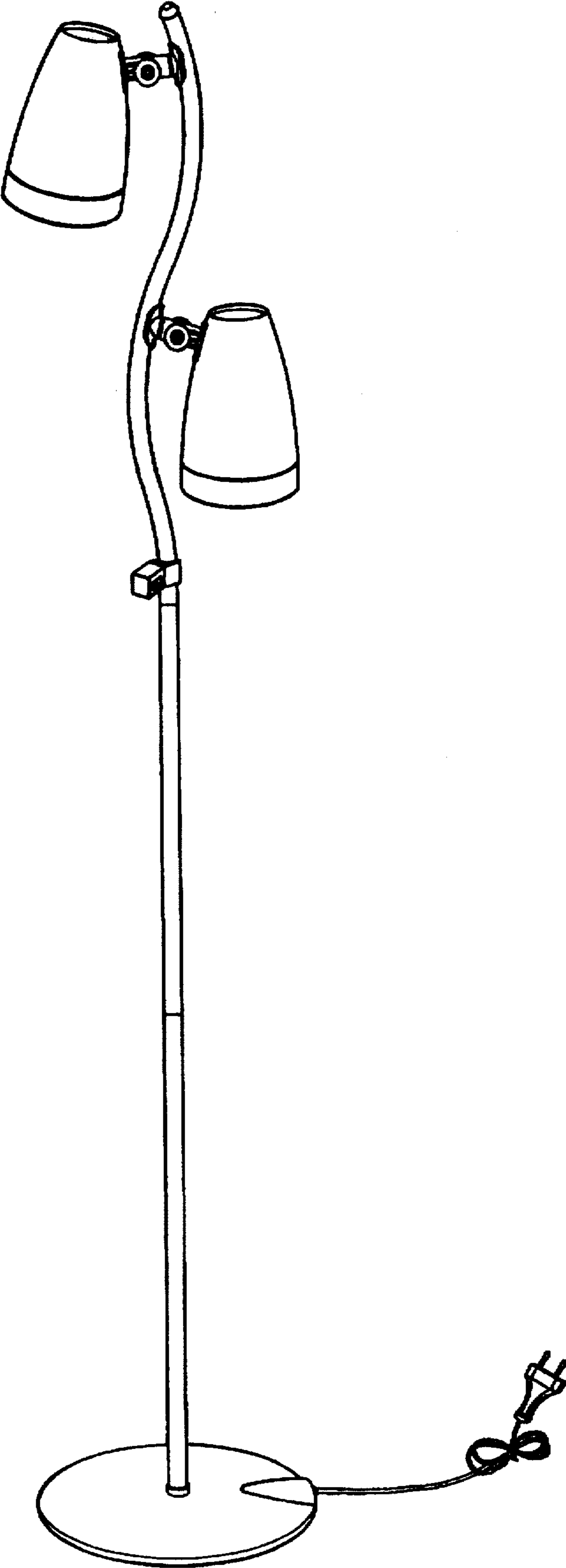


FIG. 2

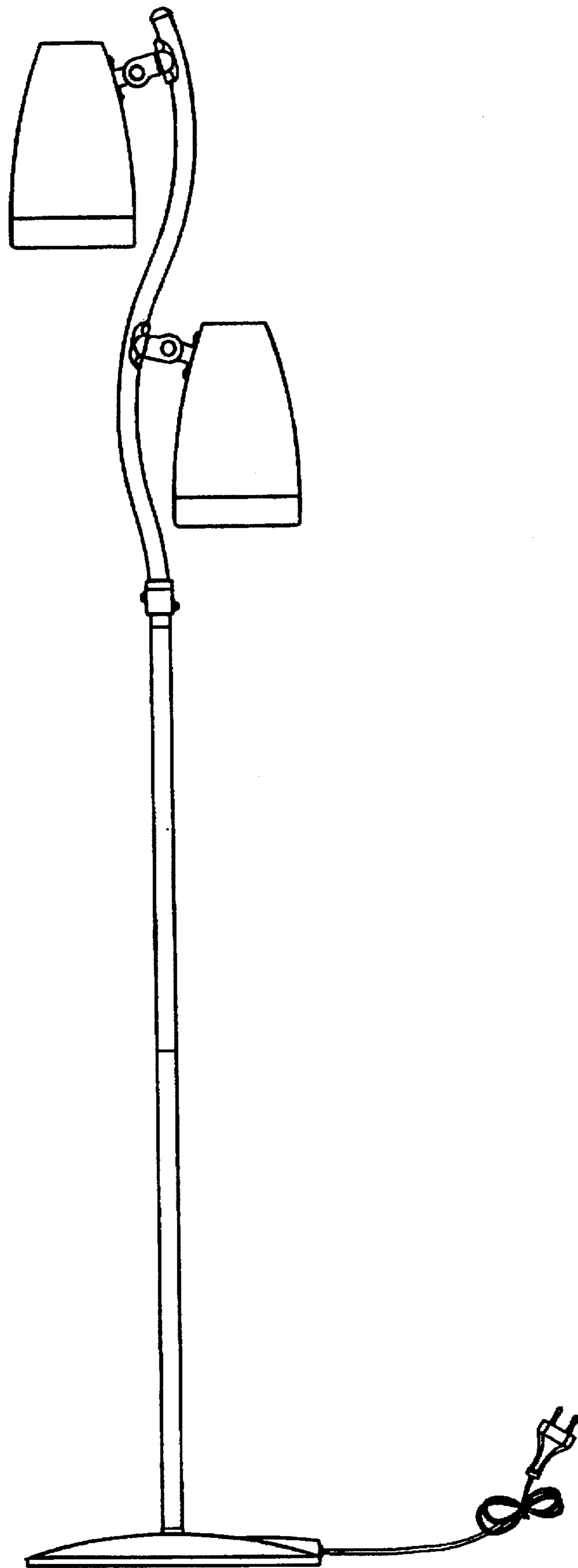


FIG. 3

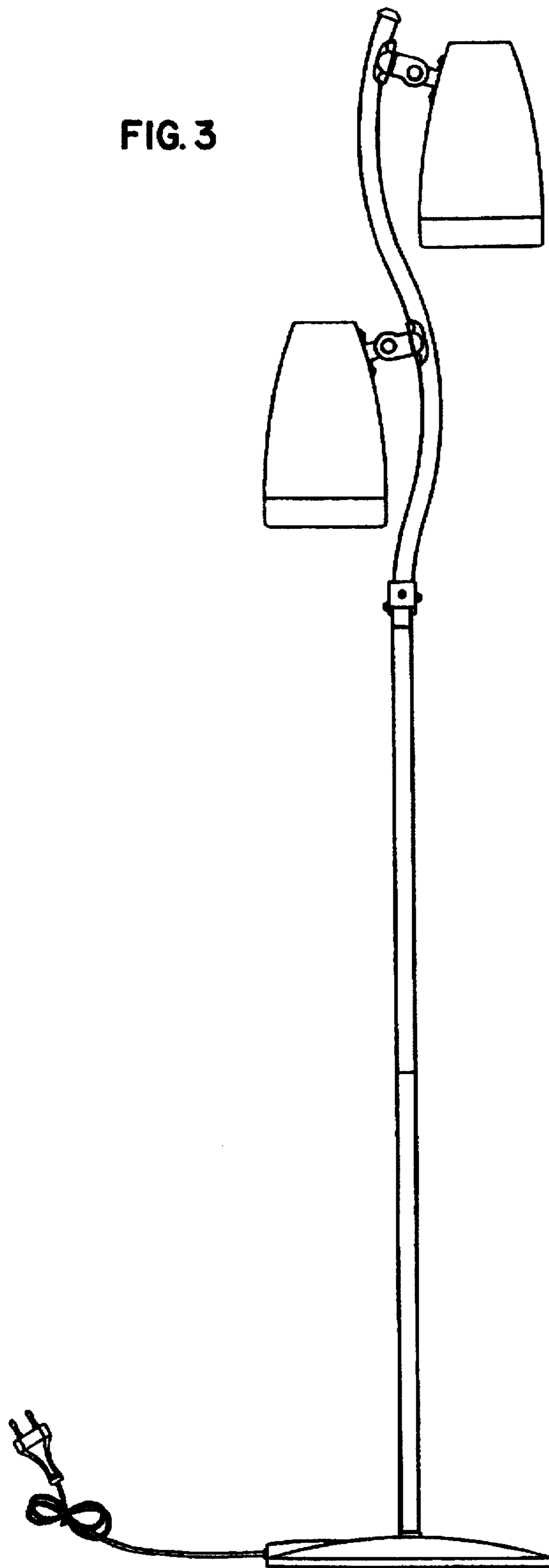


FIG. 4

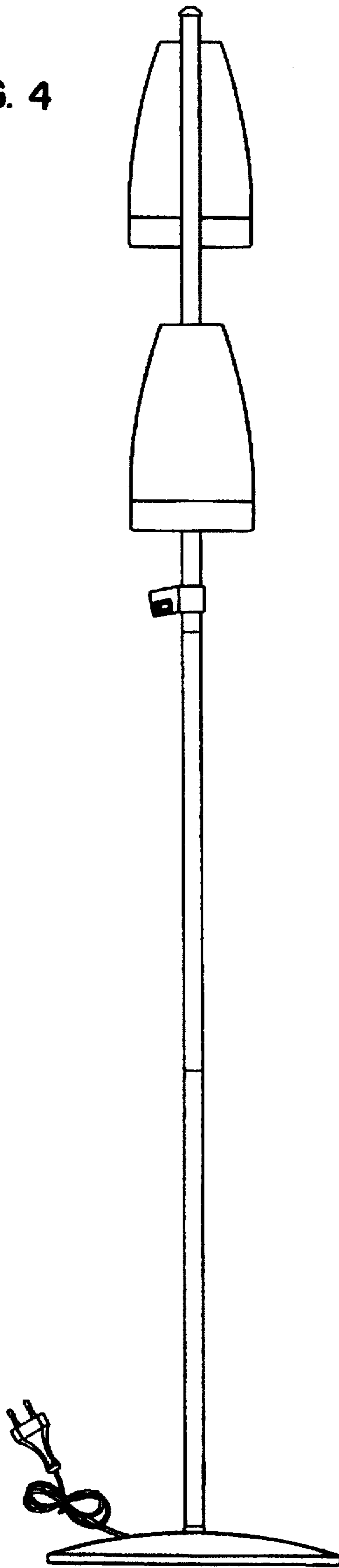


FIG. 5

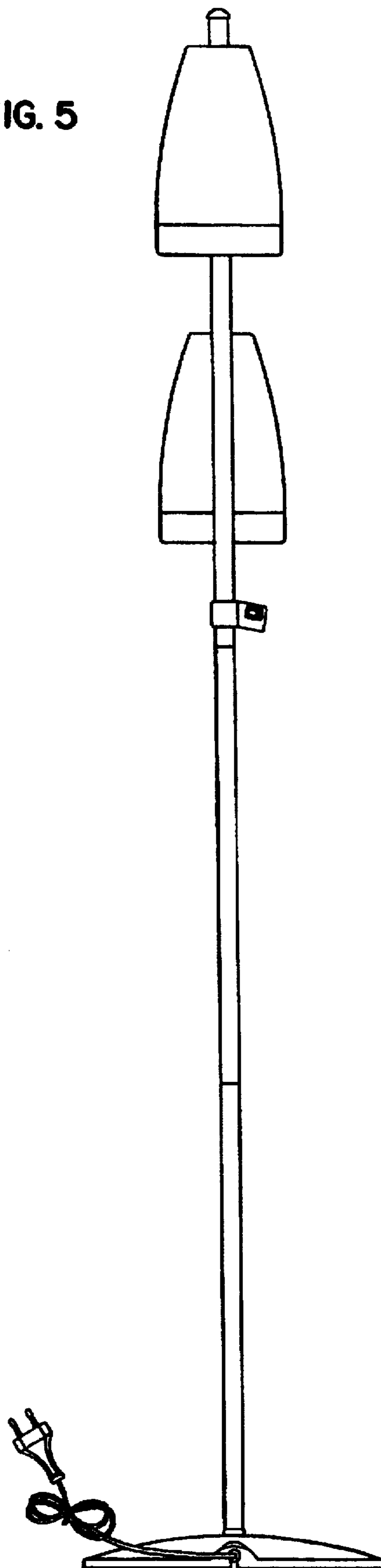


FIG. 6

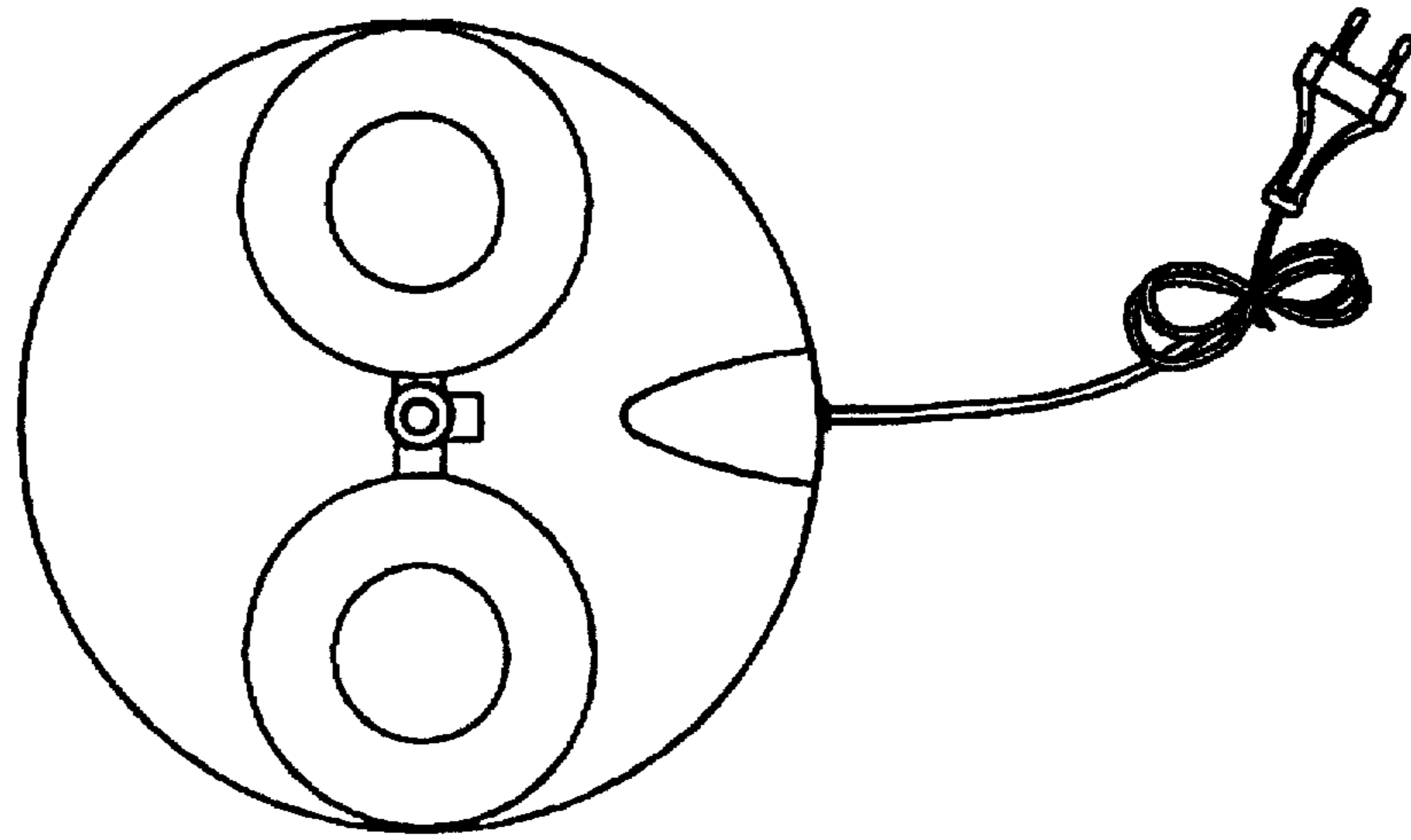


FIG. 7

